



US00D349973S

# United States Patent [19]

[11] Patent Number: **Des. 349,973**

Lam

[45] Date of Patent: **\*\* Aug. 23, 1994**

[54] **ADJUSTABLE TABLE LAMP**

[56] **References Cited**

[75] Inventor: **Thomas Y. Lam**, Central Hong Kong, Hong Kong

### U.S. PATENT DOCUMENTS

D. 336,147	6/1993	Chiang	.....	D26/65
4,922,394	5/1990	Liu	.....	362/396 X
4,974,139	11/1990	Chin-Song	.....	362/418
4,975,818	12/1990	Laske	.....	362/418 X

[73] Assignee: **Dipper Industrial Ltd.**, Hong Kong, Hong Kong

### FOREIGN PATENT DOCUMENTS

627643 3/1936 Fed. Rep. of Germany ..... 362/413

[\*\*] Term: **14 Years**

*Primary Examiner*—Susan J. Lucas  
*Attorney, Agent, or Firm*—Samuels, Gauthier & Stevens

[21] Appl. No.: **901,913**

### [57] CLAIM

The ornamental design for a adjustable table lamp, as shown and described.

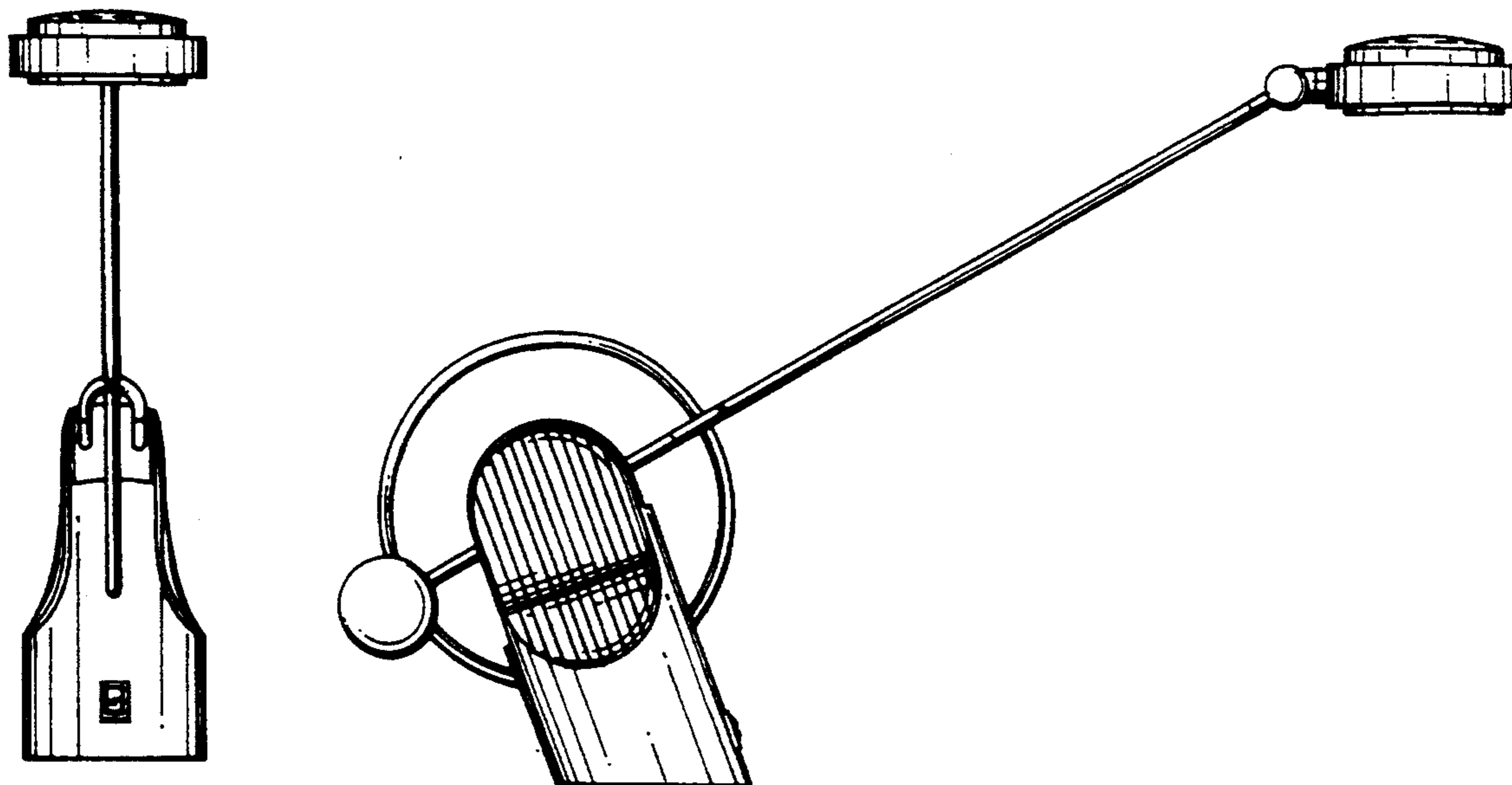
[22] Filed: **Jun. 22, 1992**

### DESCRIPTION

### [30] Foreign Application Priority Data

Dec. 23, 1991	[GB]	United Kingdom	.....	2019794
[52]	U.S. Cl.	.....		<b>D26/65</b>
[58]	Field of Search	.....	362/269, 277, 413, 418, 362/419, 427, 401, 402, 396; D26/60, 61, 63, 64, 65	

FIG. 1 is the front elevational view showing my new design;  
FIG. 2 is the rear elevational view thereof;  
FIG. 3 is the left side view thereof;  
FIG. 4 is the right side view thereof;  
FIG. 5 is the top plan view thereof; and,  
FIG. 6 is the bottom plan view thereof.



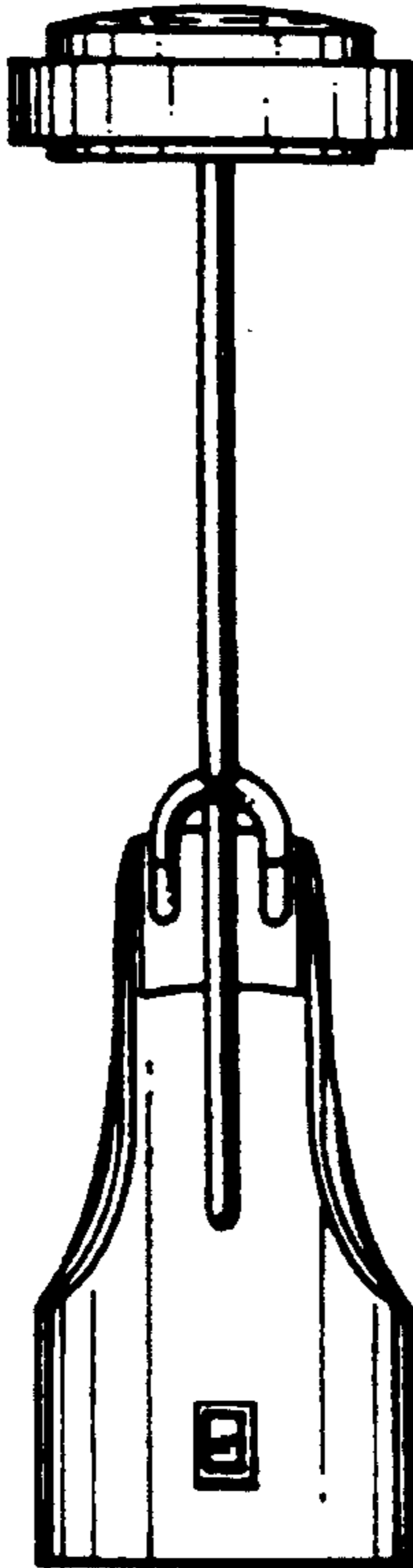


FIG. 1

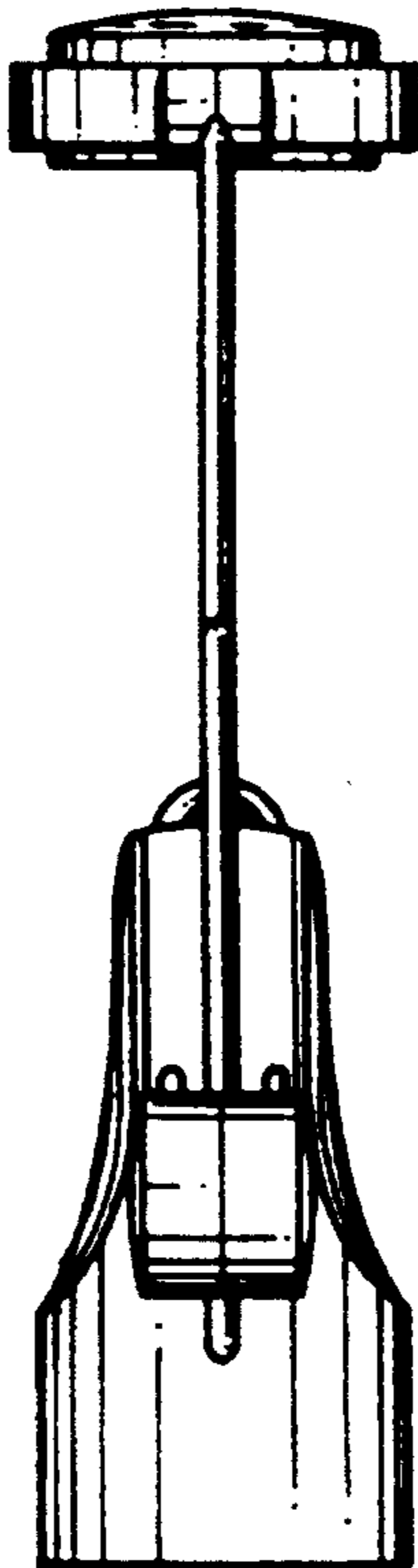


FIG. 2

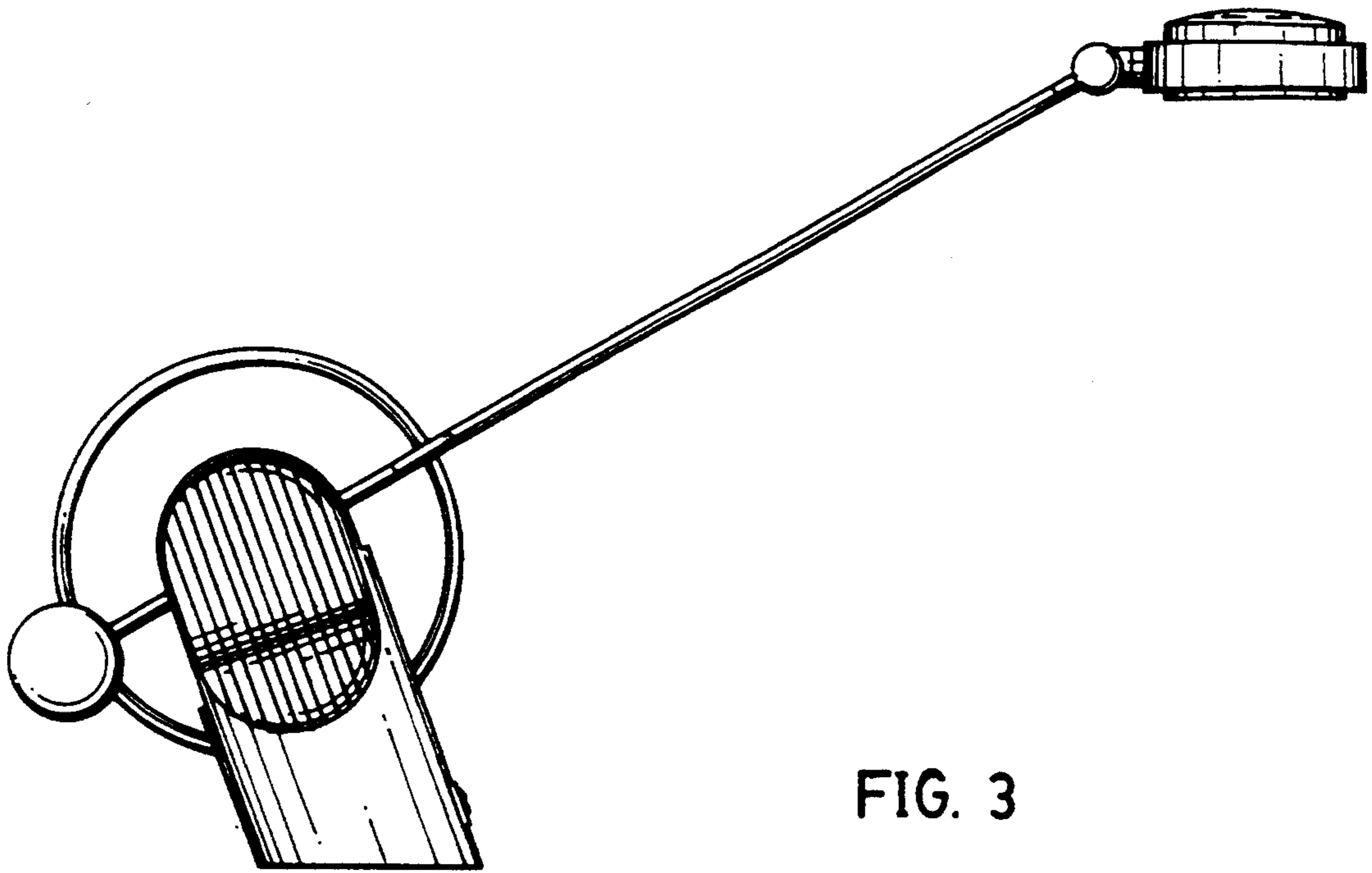


FIG. 3

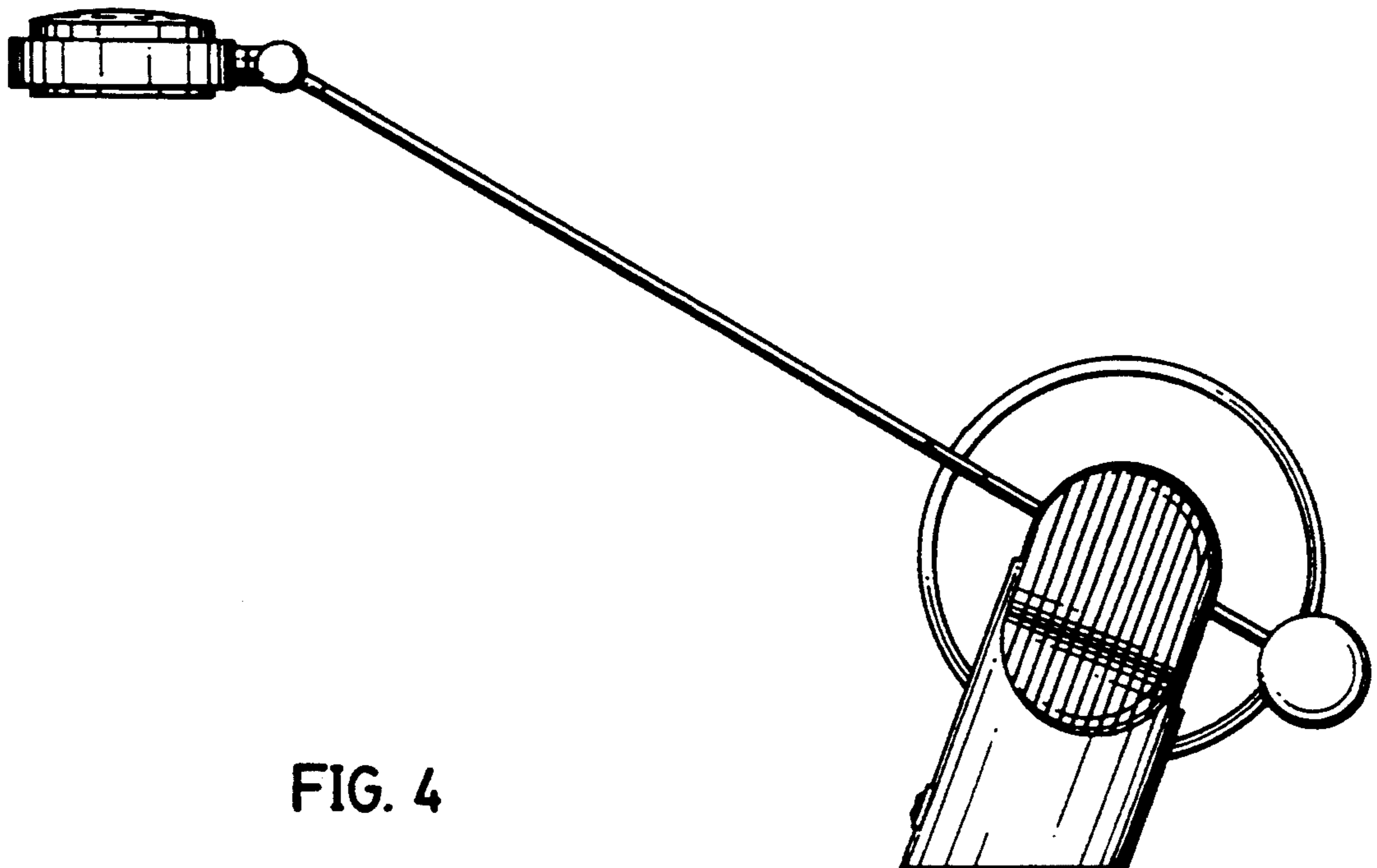


FIG. 4

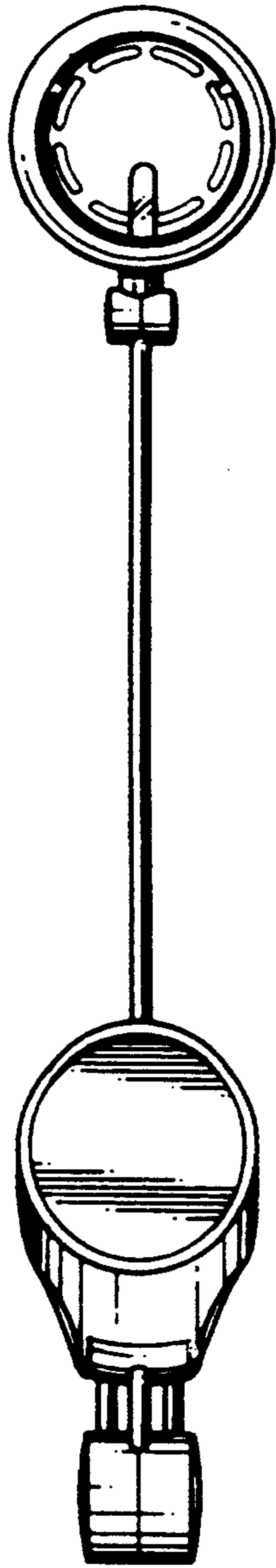


FIG. 5

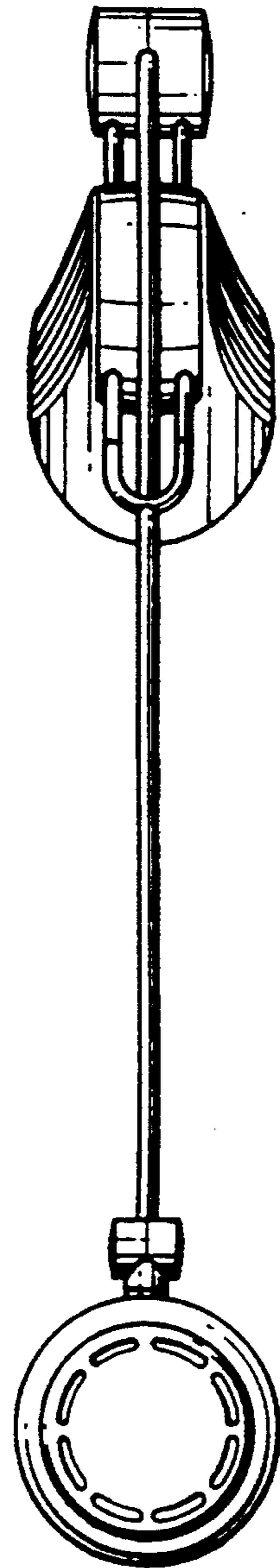


FIG. 6