



US00D349972S

United States Patent [19]
Stekelenburg

[11] **Patent Number: Des. 349,972**

[45] **Date of Patent: ** Aug. 23, 1994**

[54] **HALOGEN LAMP WITH CLAMP**

[76] **Inventor: Albert Stekelenburg, 9th Fl., 102 Kuang-Fu S. Rd., Taipei, Taiwan**

[**] **Term: 14 Years**

[21] **Appl. No.: 15,288**

[22] **Filed: Nov. 12, 1993**

[52] **U.S. Cl. D26/60**

[58] **Field of Search 362/269, 277, 418, 419, 362/427, 190, 191, 396, 399, 400, 376; D26/37, 44, 60, 61, 63, 65, 138, 140**

[56] **References Cited**

U.S. PATENT DOCUMENTS

D. 204,792	5/1966	Collings	D26/60
D. 287,644	1/1987	Gierke	D26/60
4,678,153	7/1987	Maddock et al.	362/396 X
5,205,645	4/1993	Lee	362/427 X
5,243,507	9/1993	Atkin et al.	362/376

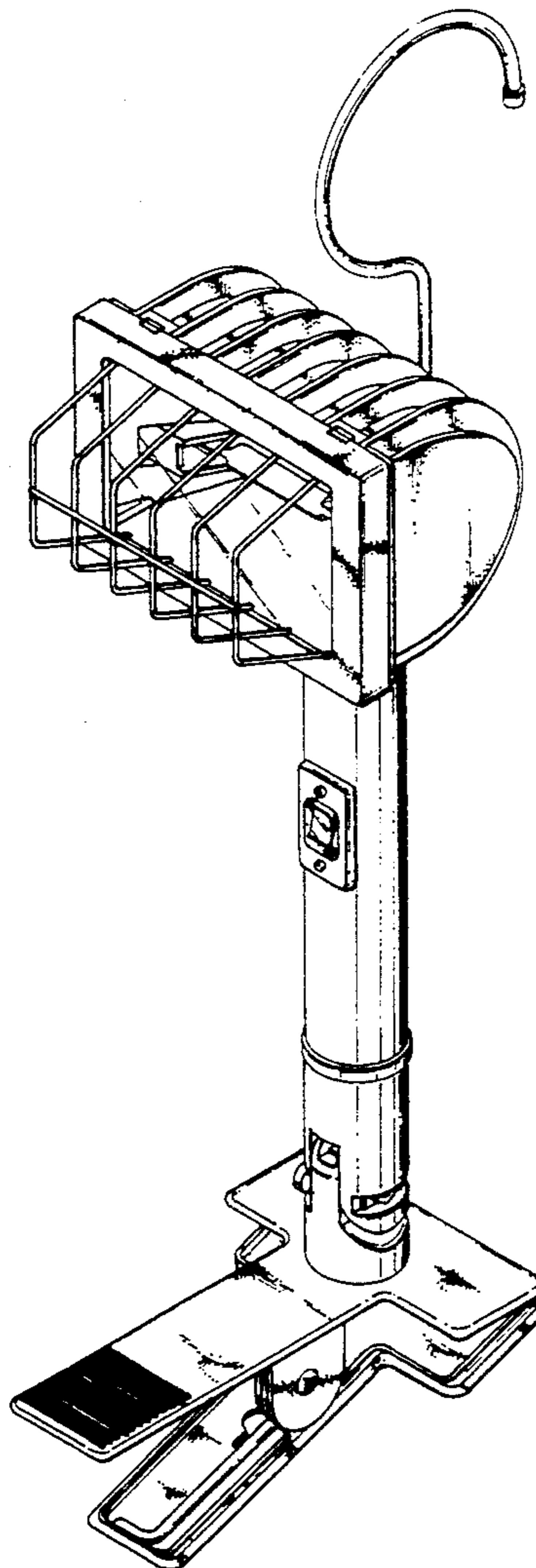
Primary Examiner—Susan J. Lucas
Attorney, Agent, or Firm—W. Wayne Liauh

[57] **CLAIM**

The ornamental design for a halogen lamp with clamp, as shown and described.

DESCRIPTION

FIG. 1 is a front view of the halogen lamp with clamp showing my new design;
FIG. 2 is a left side view of the halogen lamp with clamp of FIG. 1;
FIG. 3 is a right side view of the halogen lamp with clamp of FIG. 1;
FIG. 4 is a rear elevation view of the halogen lamp with clamp of FIG. 1;
FIG. 5 is a top view of the halogen lamp with clamp of FIG. 1;
FIG. 6 is a bottom view of the halogen lamp with clamp of FIG. 1; and,
FIG. 7 is a perspective view of the halogen lamp with clamp of FIG. 1.



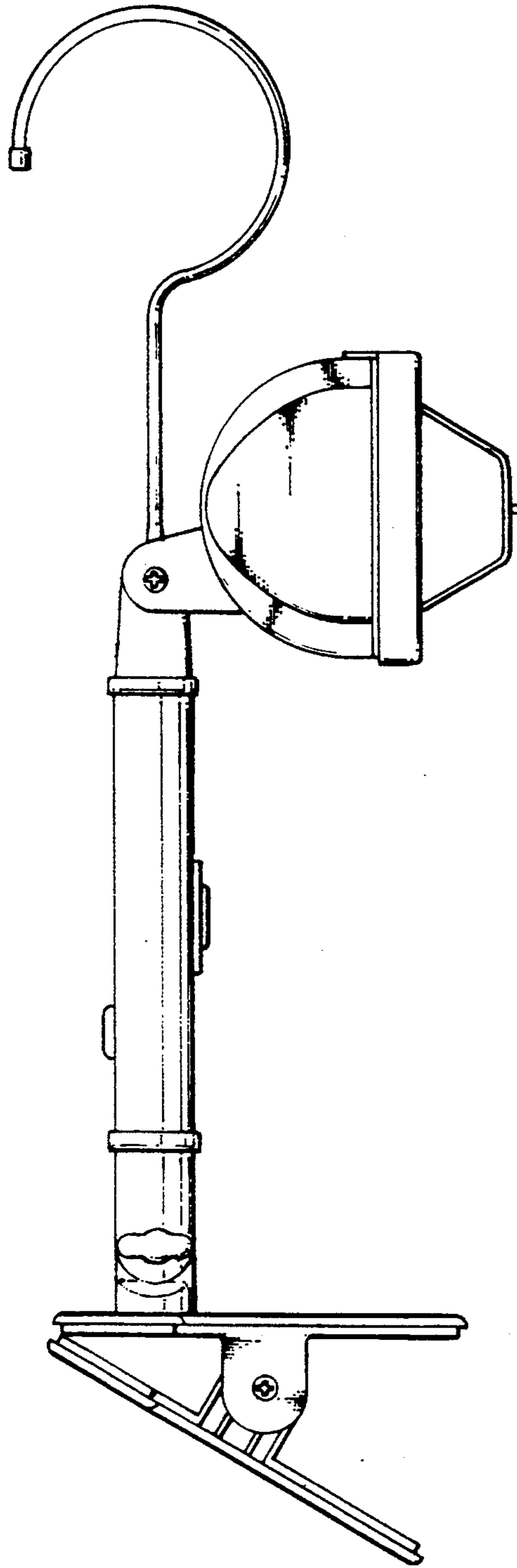


FIG. 2

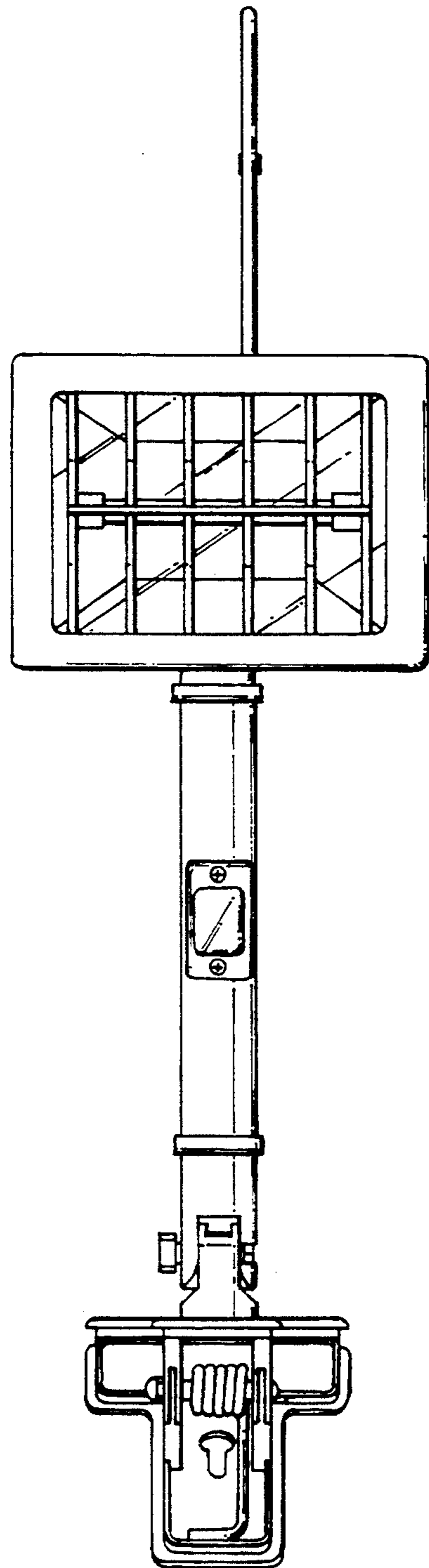


FIG. 1

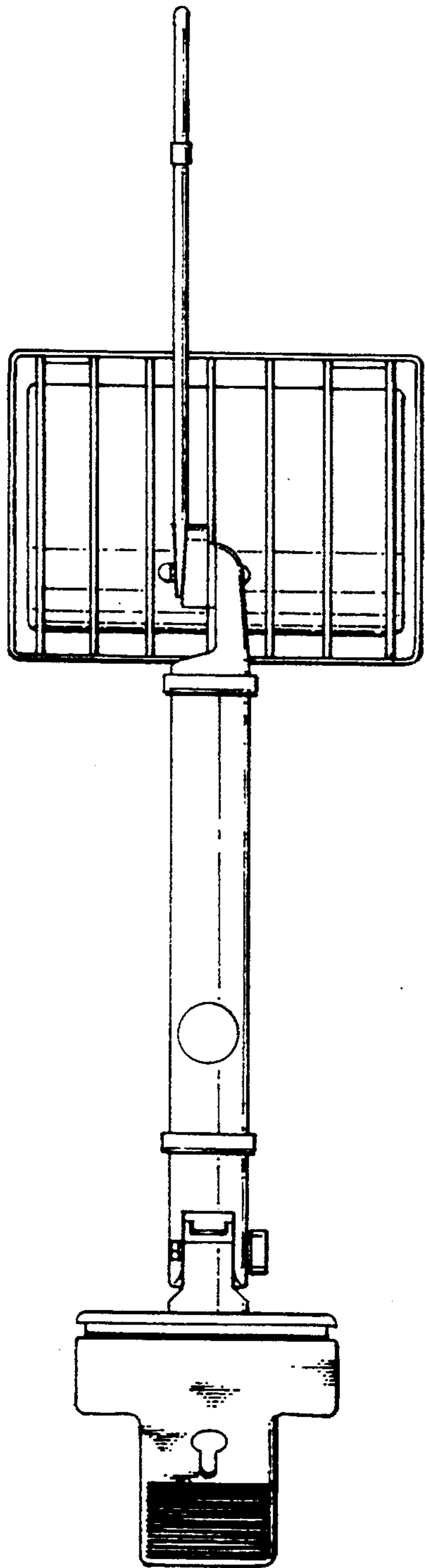


FIG. 4

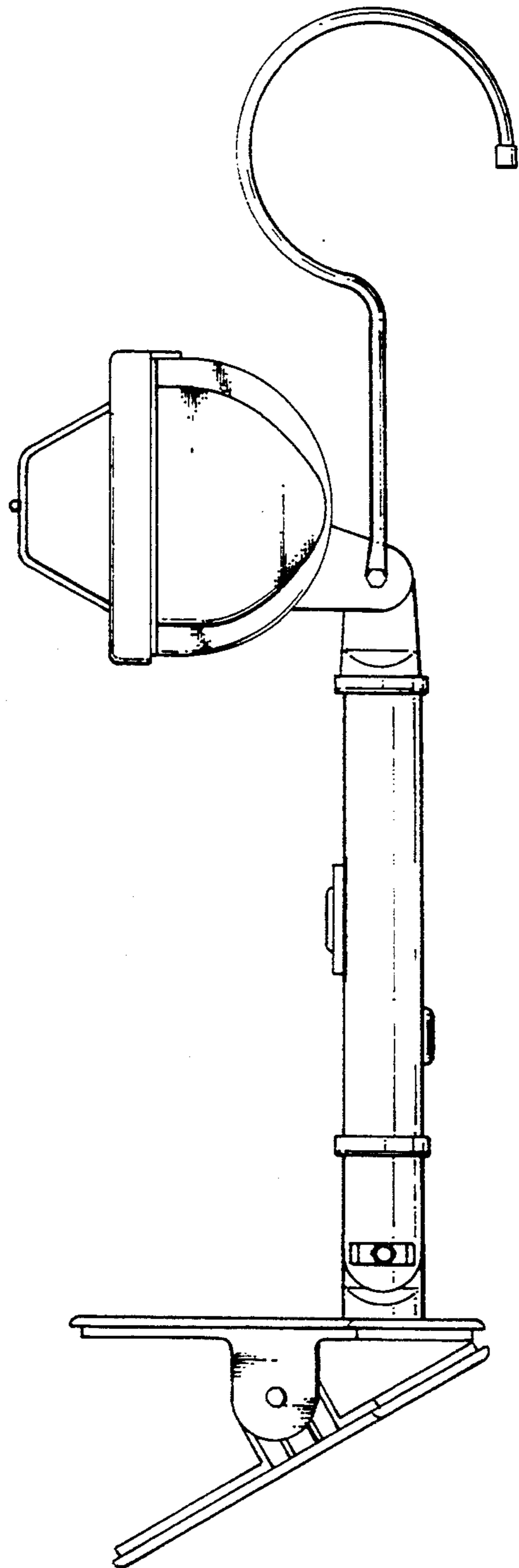


FIG. 3

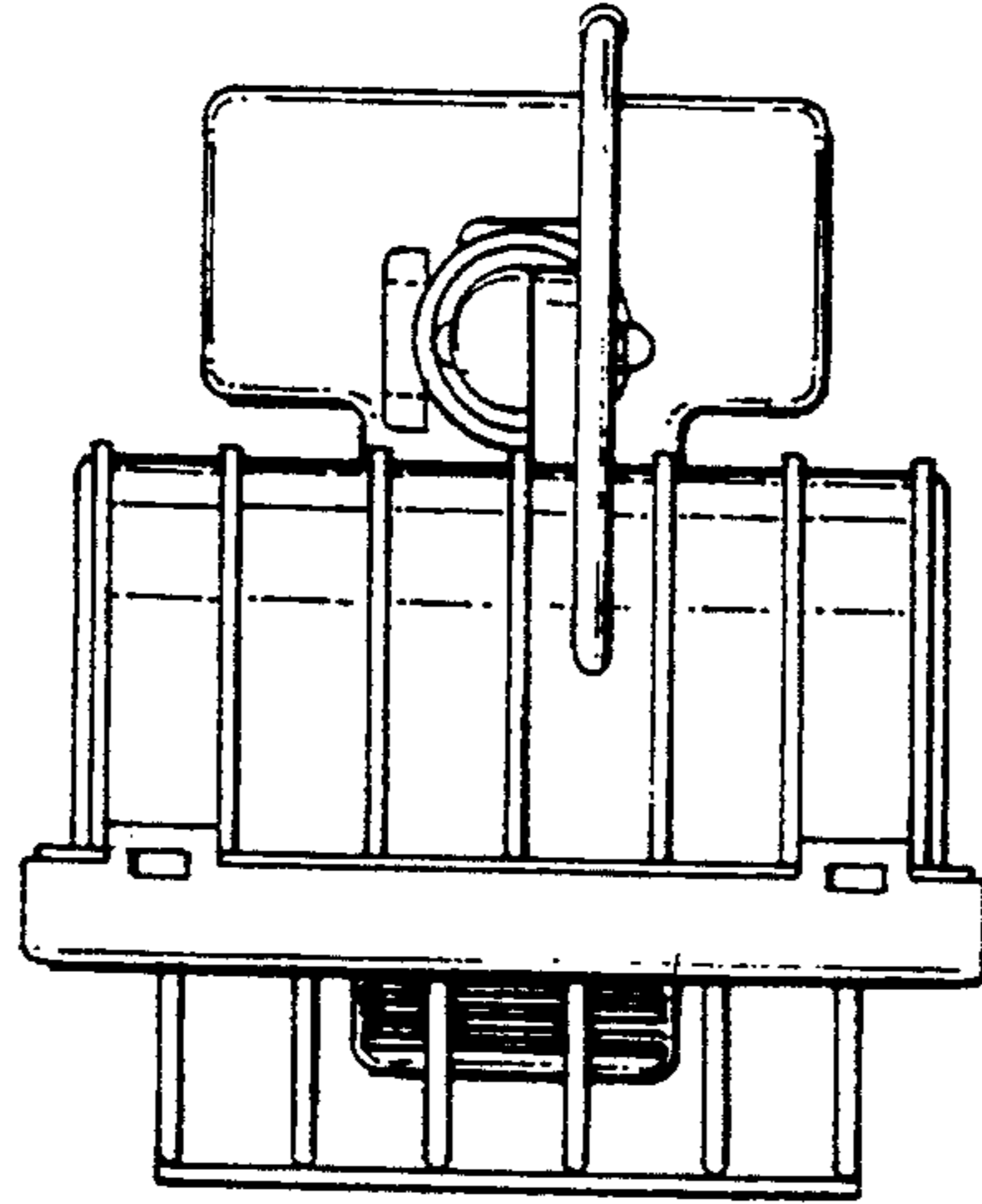
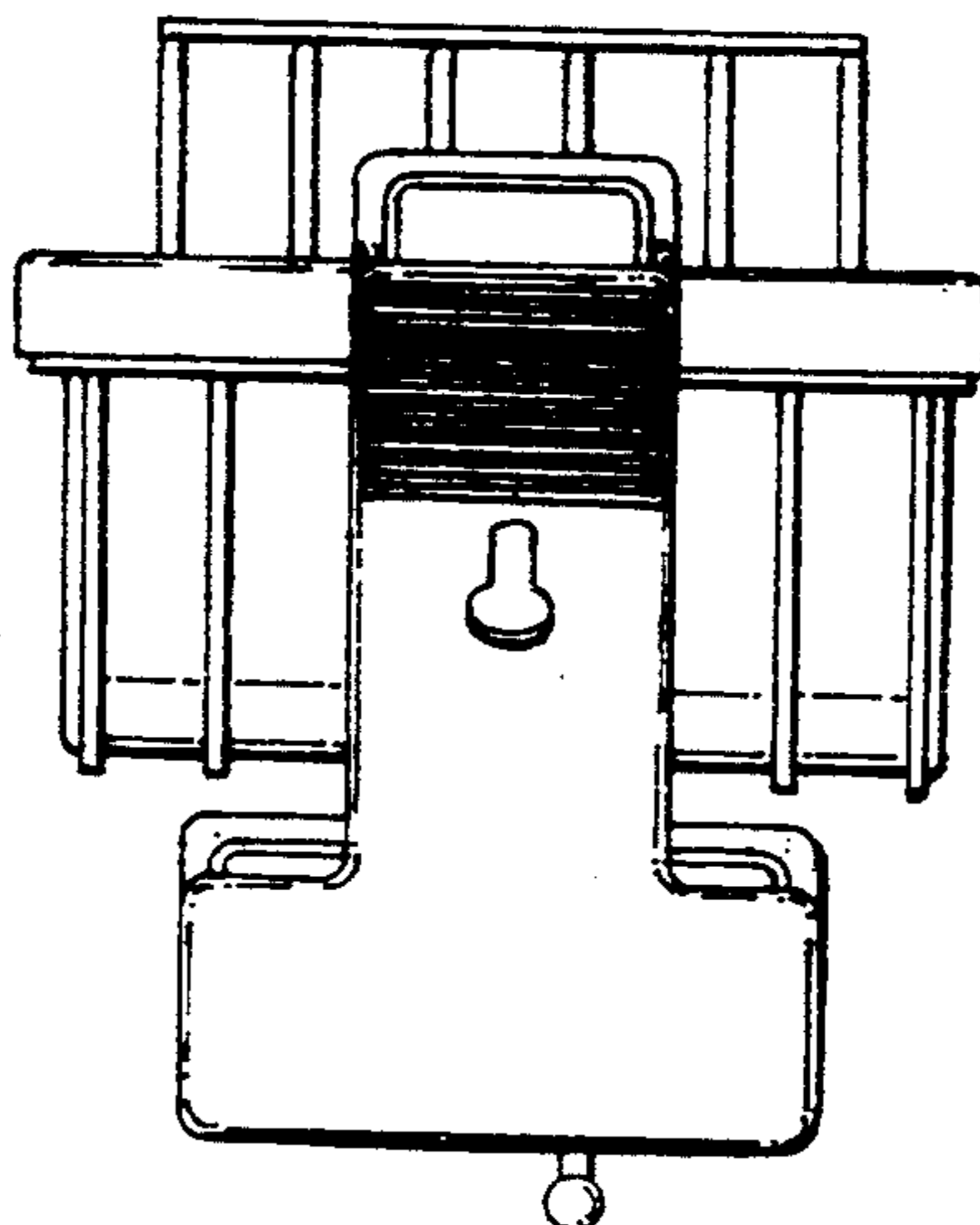


FIG. 5

FIG. 6



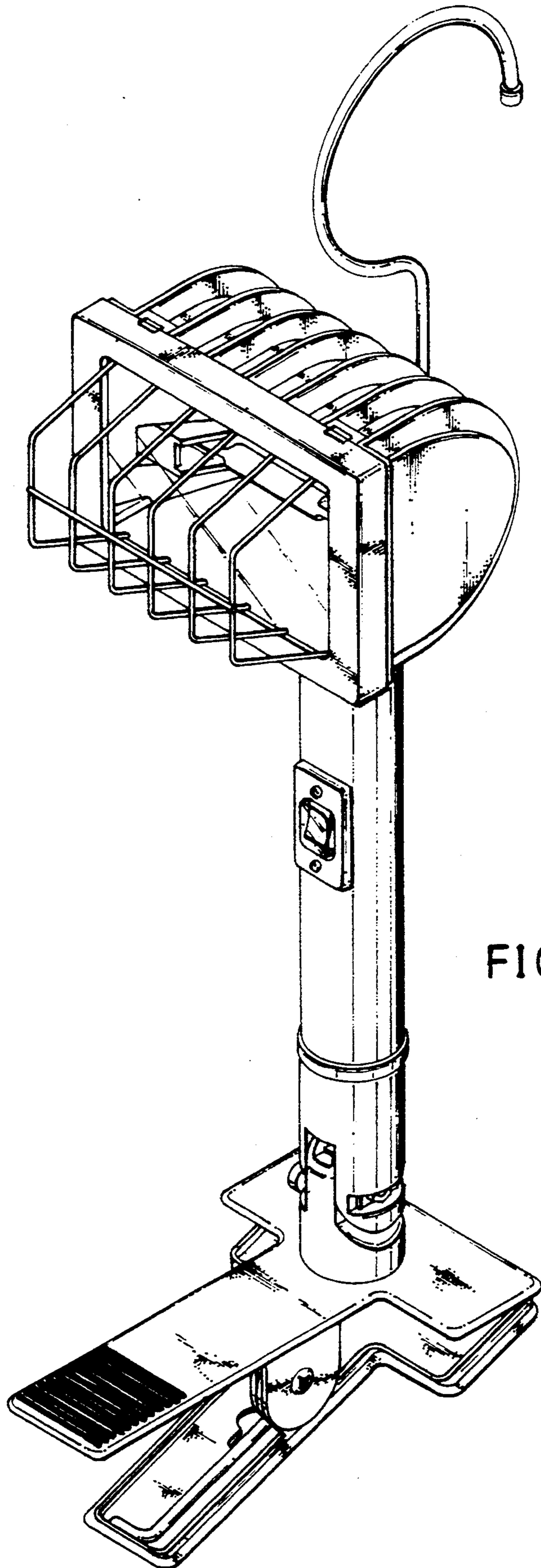


FIG. 7