



US00D349970S

# United States Patent [19]

[11] Patent Number: Des. 349,970

Chien et al.

[45] Date of Patent: \*\* Aug. 23, 1994

[54] MULTI-PURPOSE FLASH LIGHT

[76] Inventors: **Tseng-Lu Chien; Ping-Hsiang Wu**,  
both of 21815 E. Shetland Way,  
Walnut, Calif. 91792-1475

[\*\*] Term: 14 Years

[21] Appl. No.: 3,954

[22] Filed: Jan. 22, 1993

[52] U.S. Cl. .... D26/38

[58] Field of Search ..... 362/157, 158, 159, 160,  
362/161, 168, 171, 172, 173, 178, 179, 180, 183,  
184, 186, 197, 198, 201, 202, 203, 204, 205, 206,  
207, 208; D26/37-50

[56] **References Cited**

**U.S. PATENT DOCUMENTS**

|            |        |               |         |
|------------|--------|---------------|---------|
| D. 226,677 | 4/1973 | Carlini ..... | D26/39  |
| D. 295,324 | 4/1988 | Drane .....   | D26/37  |
| D. 324,578 | 3/1992 | Tsugama ..... | D26/37  |
| 2,204,707  | 6/1940 | Seiss .....   | 362/157 |

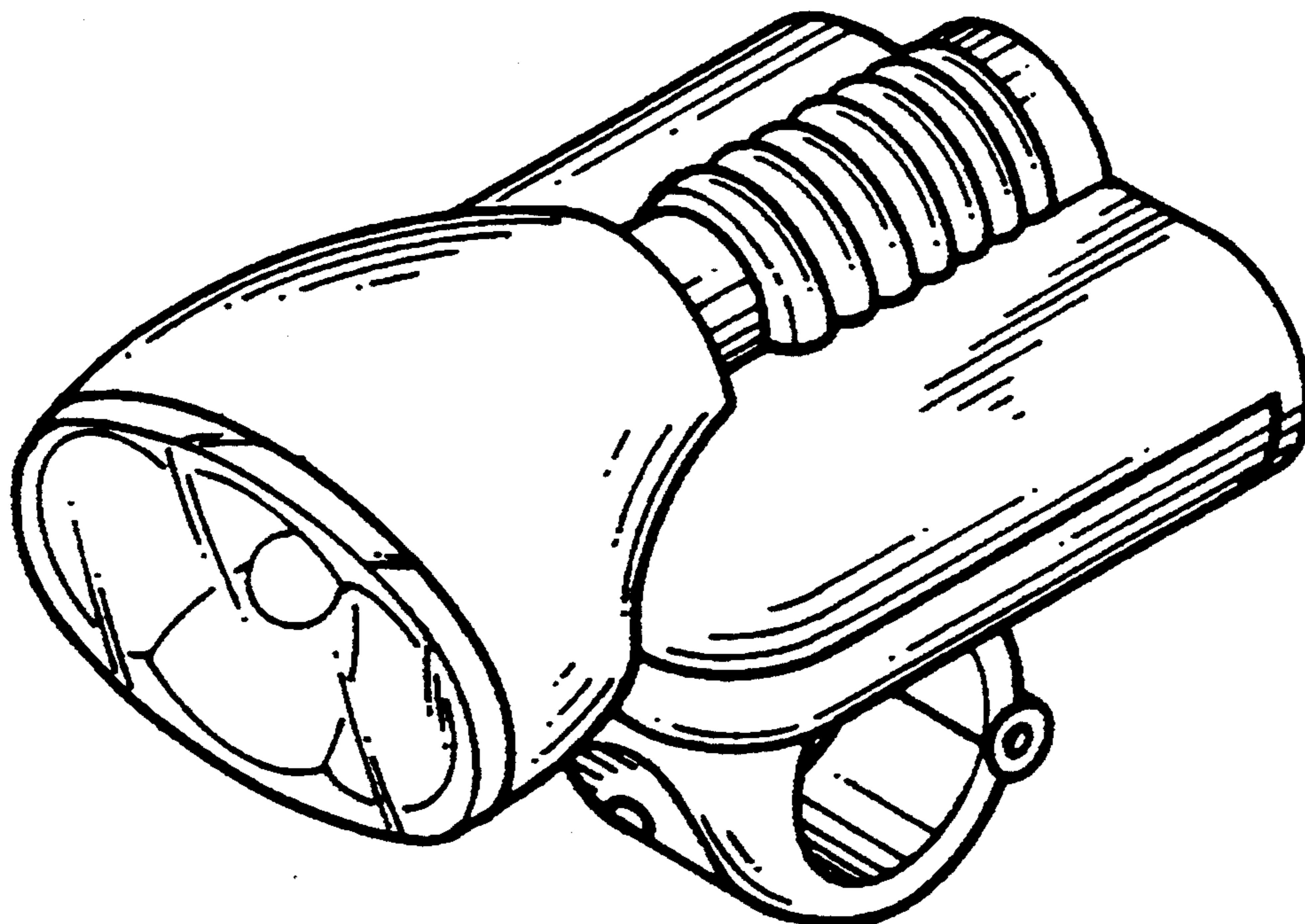
*Primary Examiner*—Wallace R. Burke  
*Assistant Examiner*—Marcus Jackson  
*Attorney, Agent, or Firm*—Morton J. Rosenberg; David I. Klein

[57] CLAIM

The ornamental design for a multi-purpose flash light, as shown and described.

**DESCRIPTION**

FIG. 1 is a front-right-top perspective view of a multi-purpose flash light, showing my new design; FIG. 2 is a front elevational view thereof; FIG. 3 is a rear elevational view thereof; FIG. 4 is a right elevational view thereof, a left elevational view being a mirror image thereof; FIG. 5 is a top plan view thereof; FIG. 6 is a bottom plan view thereof; and, FIG. 7 is a front-right-top perspective view thereof, with the broken line showing for illustrative purposes only and forming no part of the claimed design.



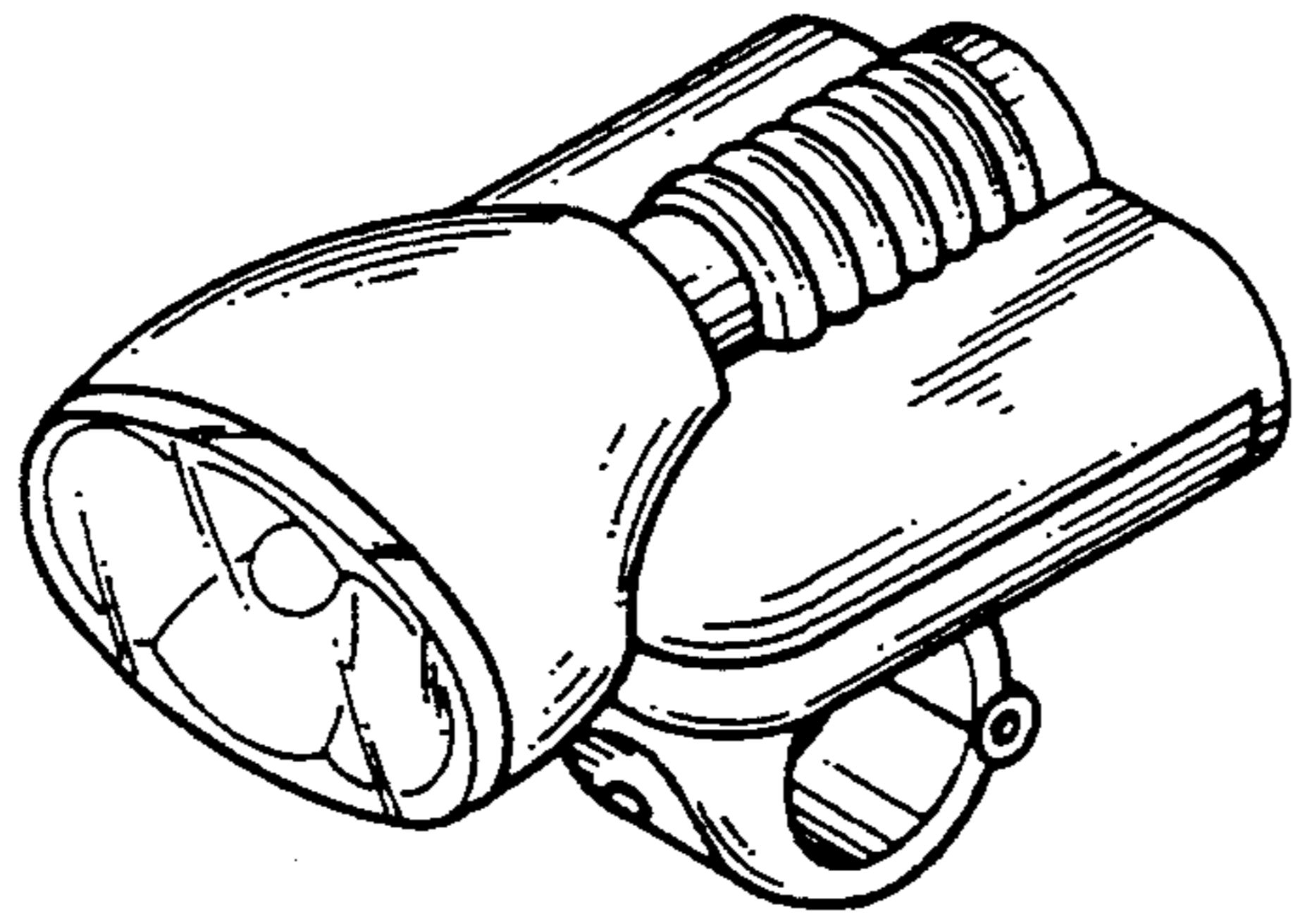


FIG. 1

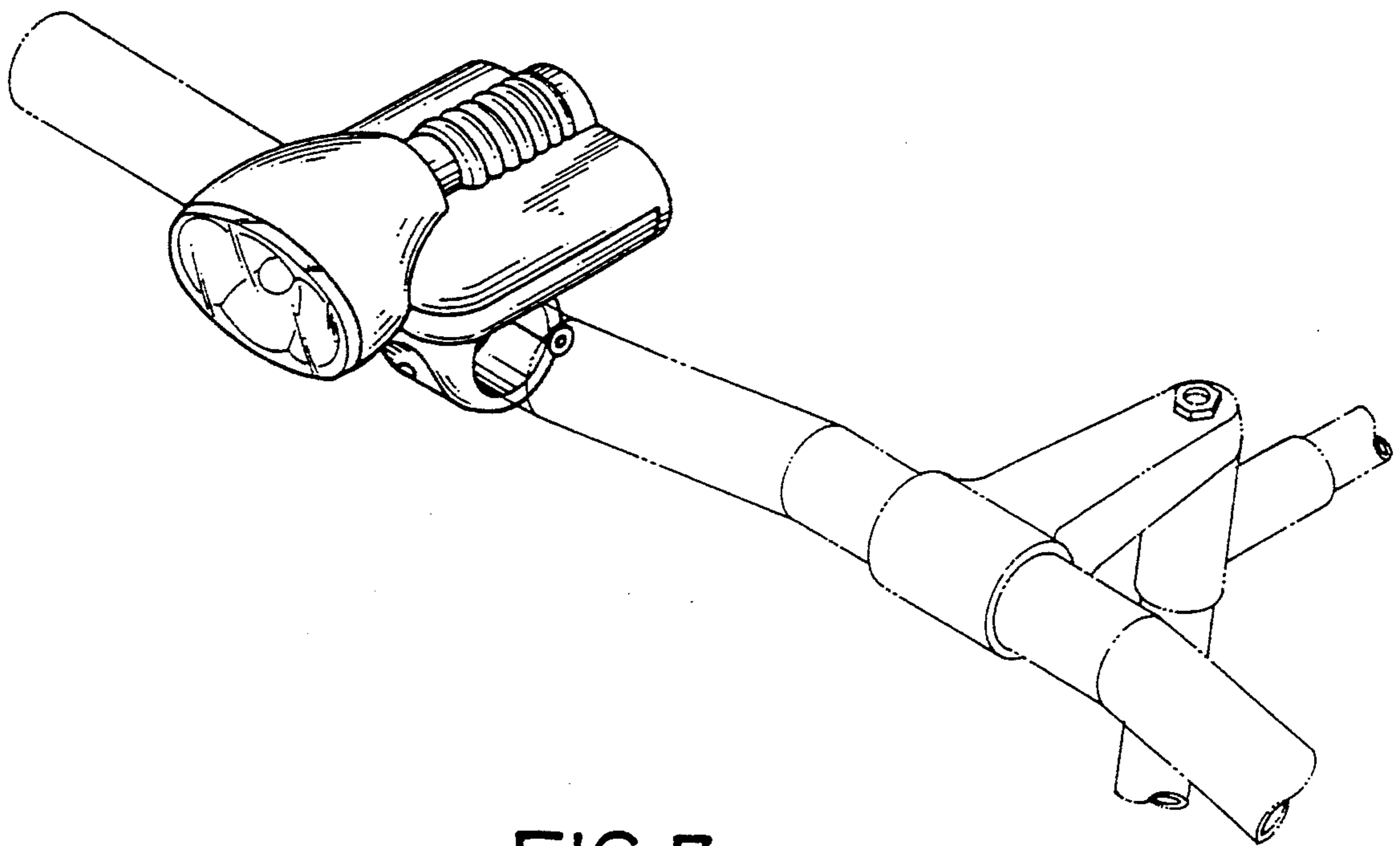


FIG. 7

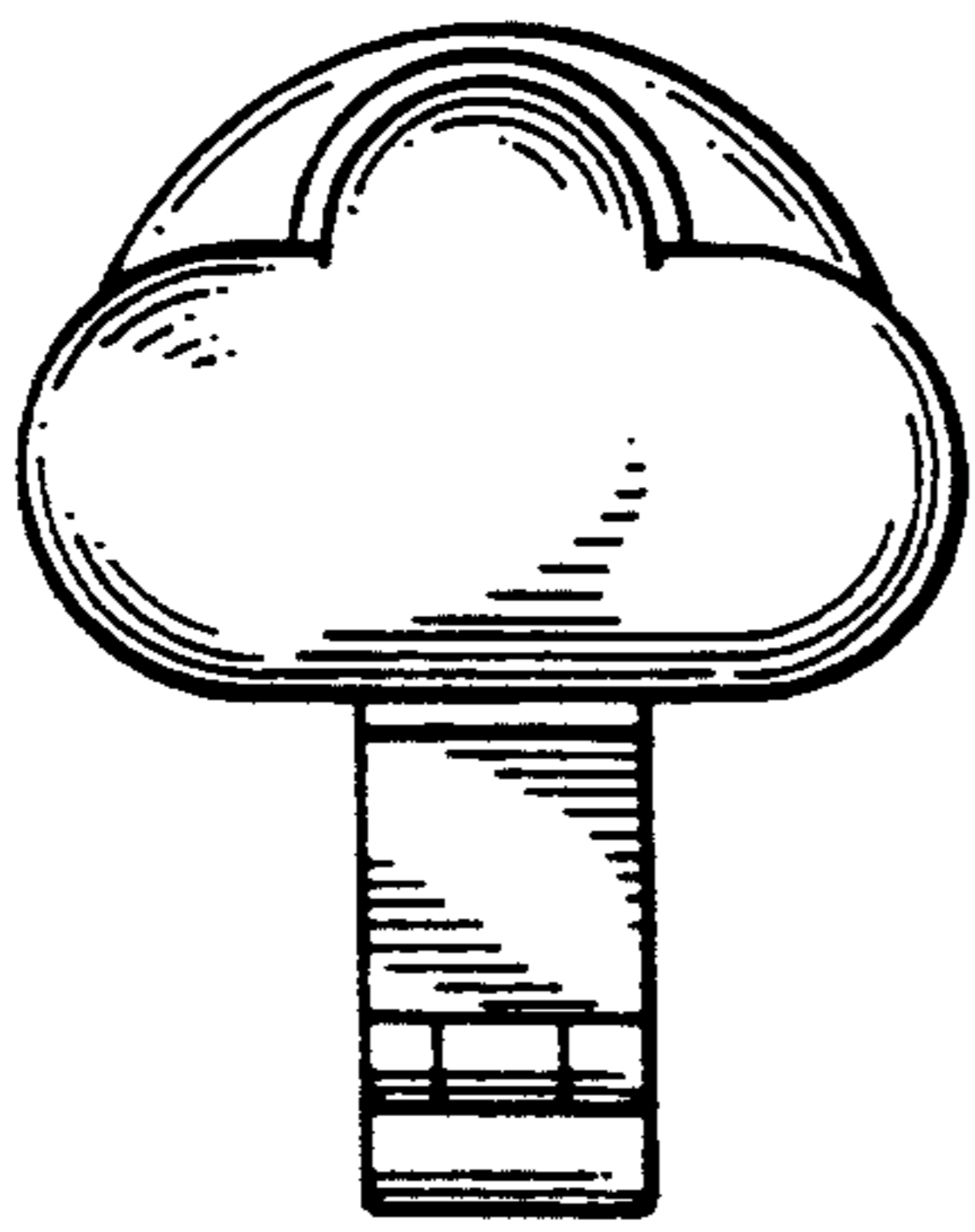


FIG. 3

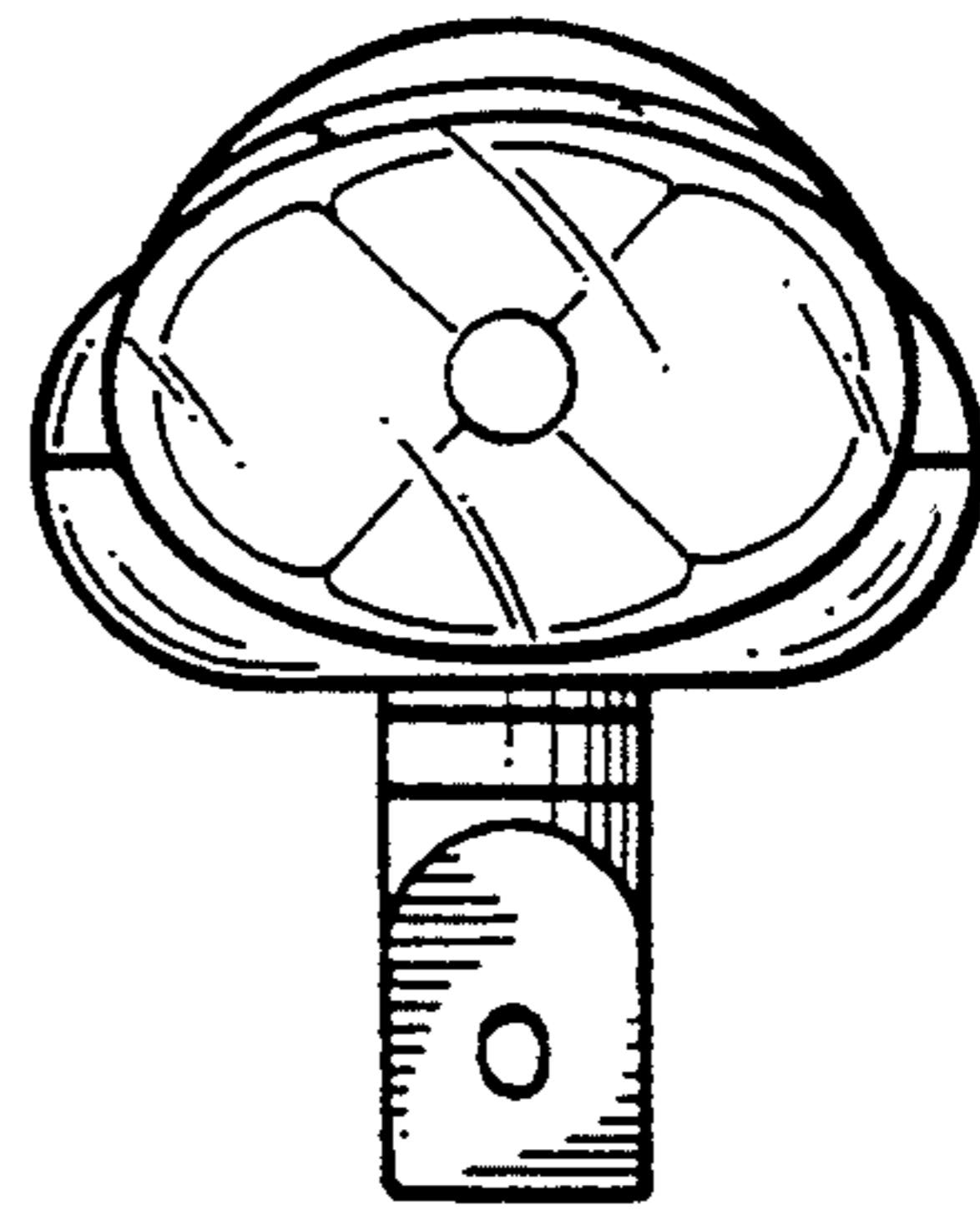


FIG. 2

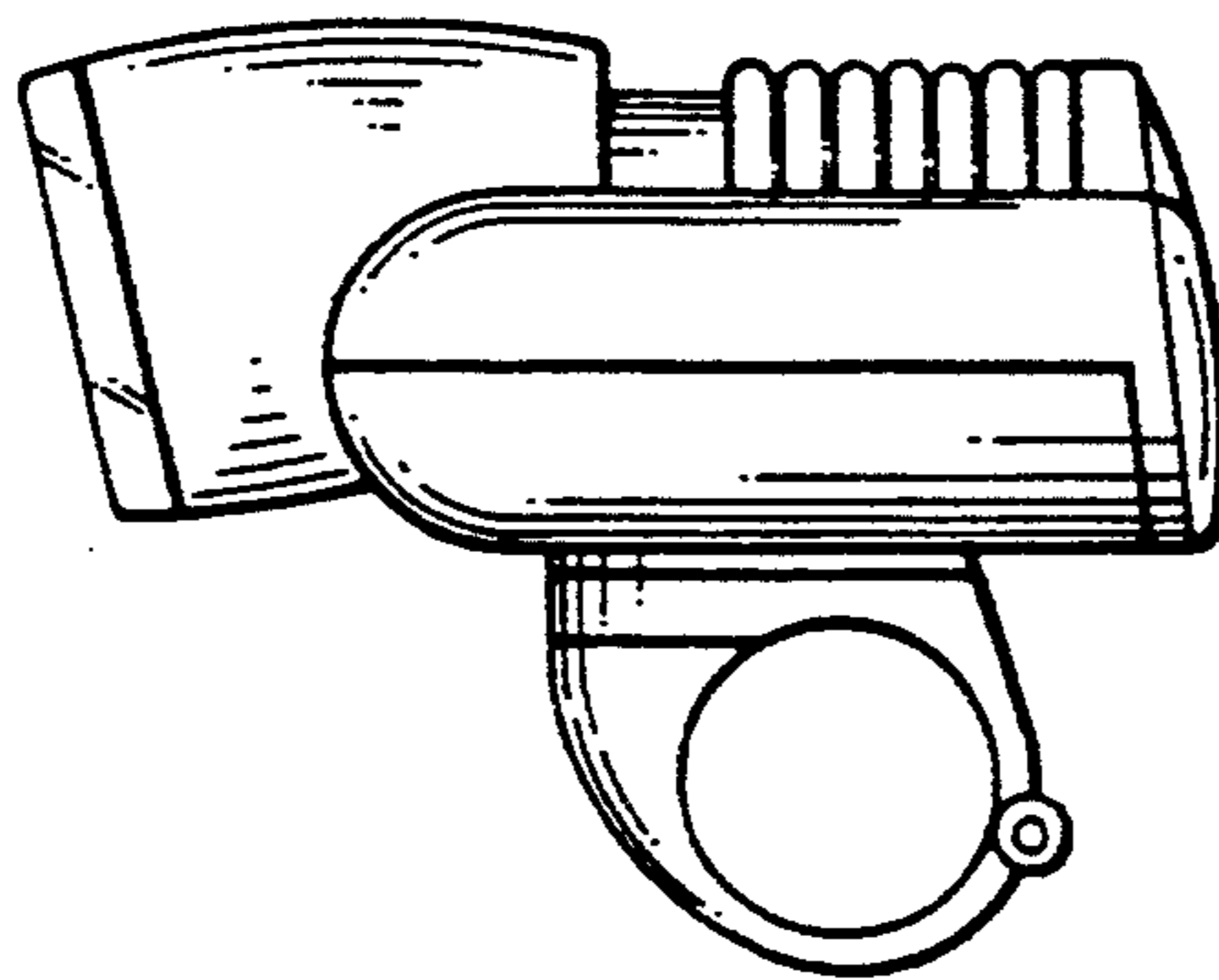


FIG. 4

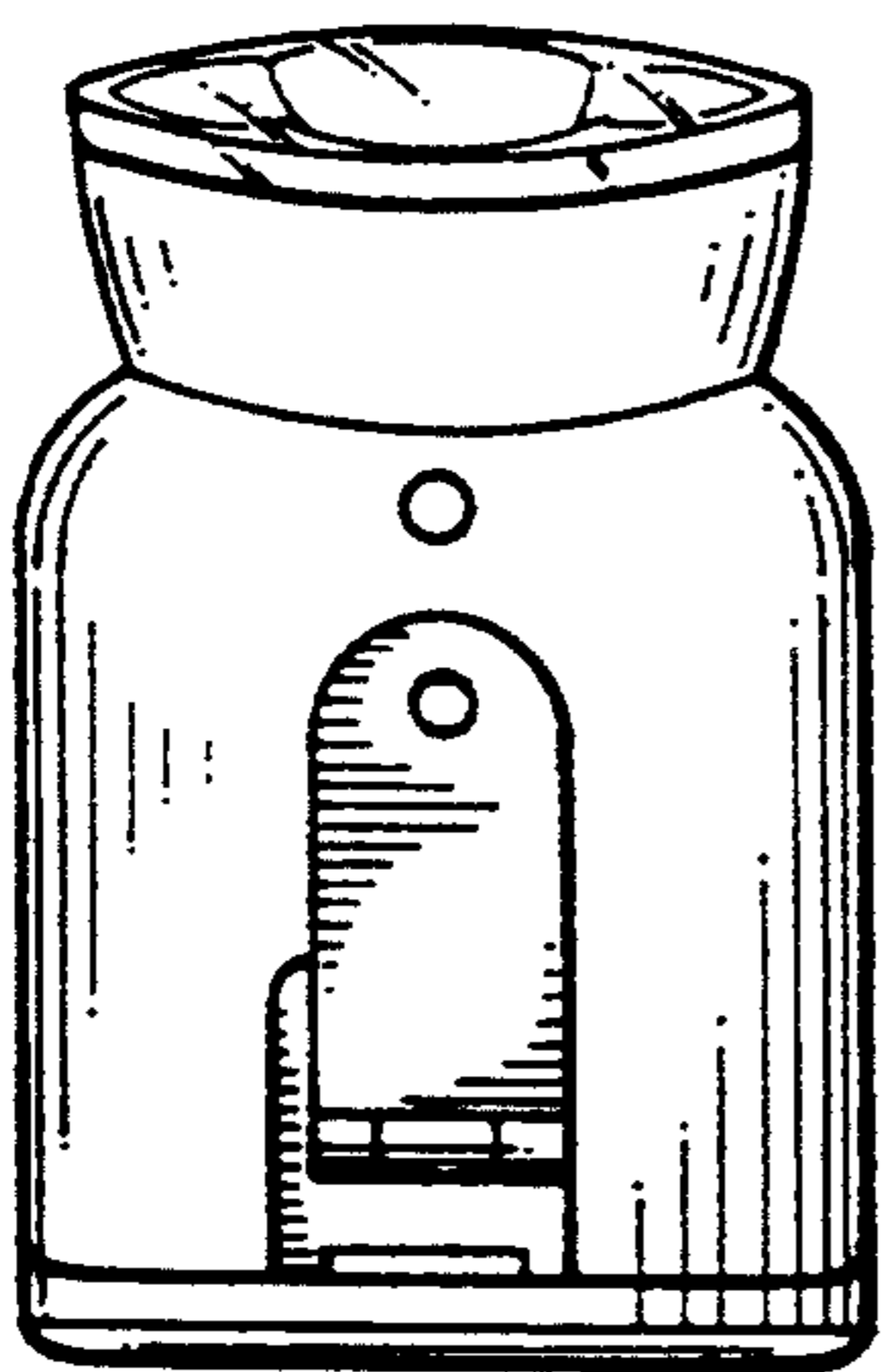


FIG. 6

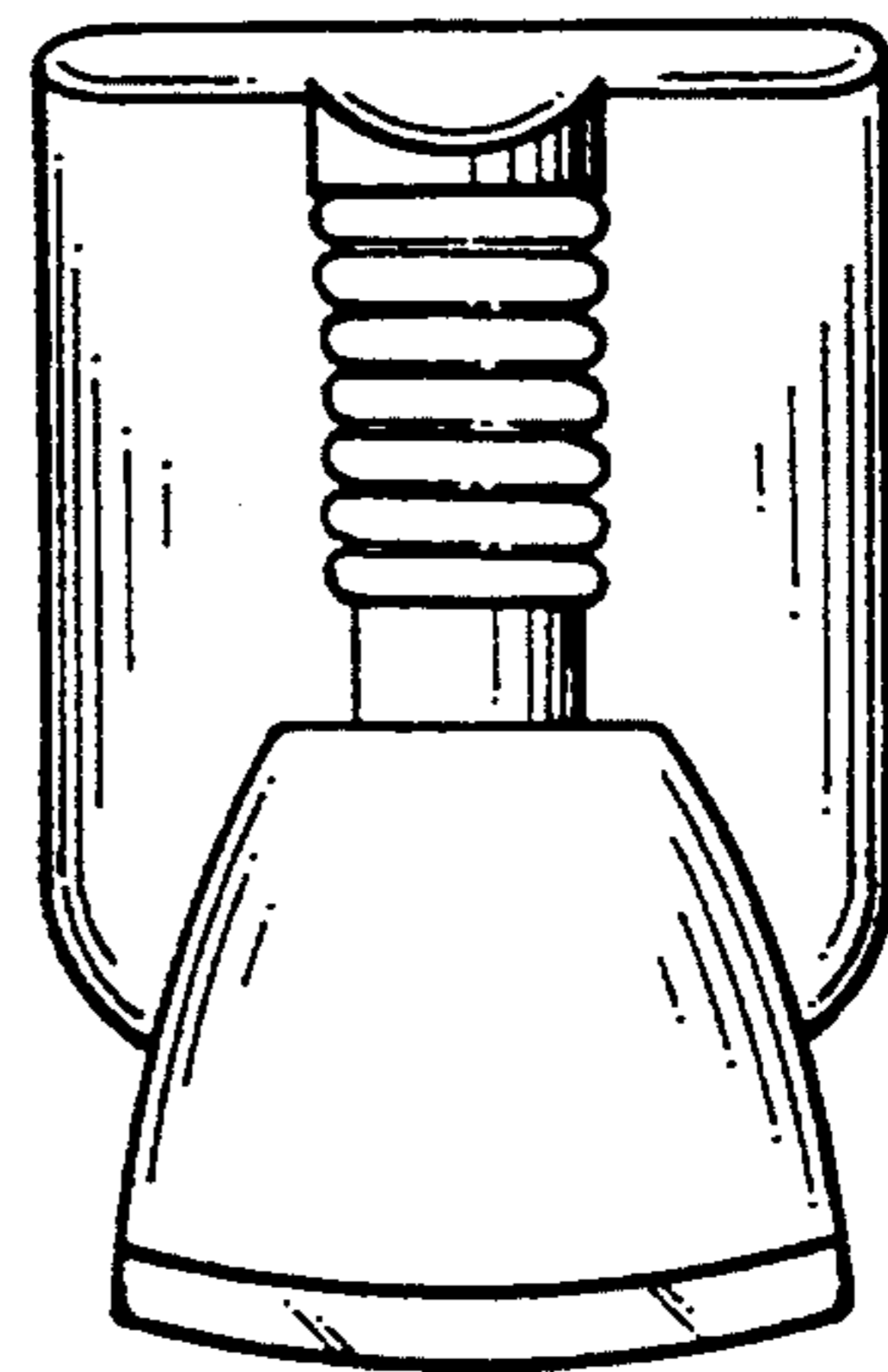


FIG. 5