



US00D349967S

United States Patent [19]

[11] Patent Number: **Des. 349,967**

Krueger et al.

[45] Date of Patent: **** Aug. 23, 1994**

[54] **PAVING STONE**

[75] Inventors: **Ronald G. Krueger**, Hampton; **Arthur A. Labouseur**, Wantage, both of N.J.

[73] Assignee: **Concrete Stone and Tile Corporation**, Branchville, N.J.

[**] Term: **14 Years**

[21] Appl. No.: **864,914**

[22] Filed: **Apr. 3, 1992**

[52] U.S. Cl. **D25/113**

[58] Field of Search 52/596, 602, 605, 608, 52/610; 404/19, 29, 30, 34; D25/112-113; D21/108

[56] **References Cited**

U.S. PATENT DOCUMENTS

2,885,207 5/1959 Wormser D25/113

Primary Examiner—A. Hugo Word

Assistant Examiner—Doris Clark

Attorney, Agent, or Firm—Klauber & Jackson

[57] **CLAIM**

The ornamental design for a paving stone, as shown and described.

DESCRIPTION

FIG. 1 is a top plan view of the paving stone illustrating

our new design, the bottom view being identical thereto;

FIG. 2 is a right side elevational view thereof, the left side view being identical thereto;

FIG. 3 is a front end elevational view thereof;

FIG. 4 is a rear end elevational view thereof;

FIG. 5 is a right hand perspective view thereof;

FIG. 6 is a top plan view of a paving stone in accordance with an alternate embodiment of our new design, the bottom view being identical to FIG. 1;

FIG. 7 is a right side elevational view of the paving stone of FIG. 6, the left side view being identical thereto;

FIG. 8 is a front end elevational view of the paving stone of FIG. 6;

FIG. 9 is a rear end elevational view of the paving stone of FIG. 6;

FIG. 10 is a right hand perspective view of the paving stone of FIG. 6;

FIG. 11 is a top plan view of a further alternate paving stone of our new design corresponding to the left face of the paving stone of FIG. 6, the bottom view being identical thereto;

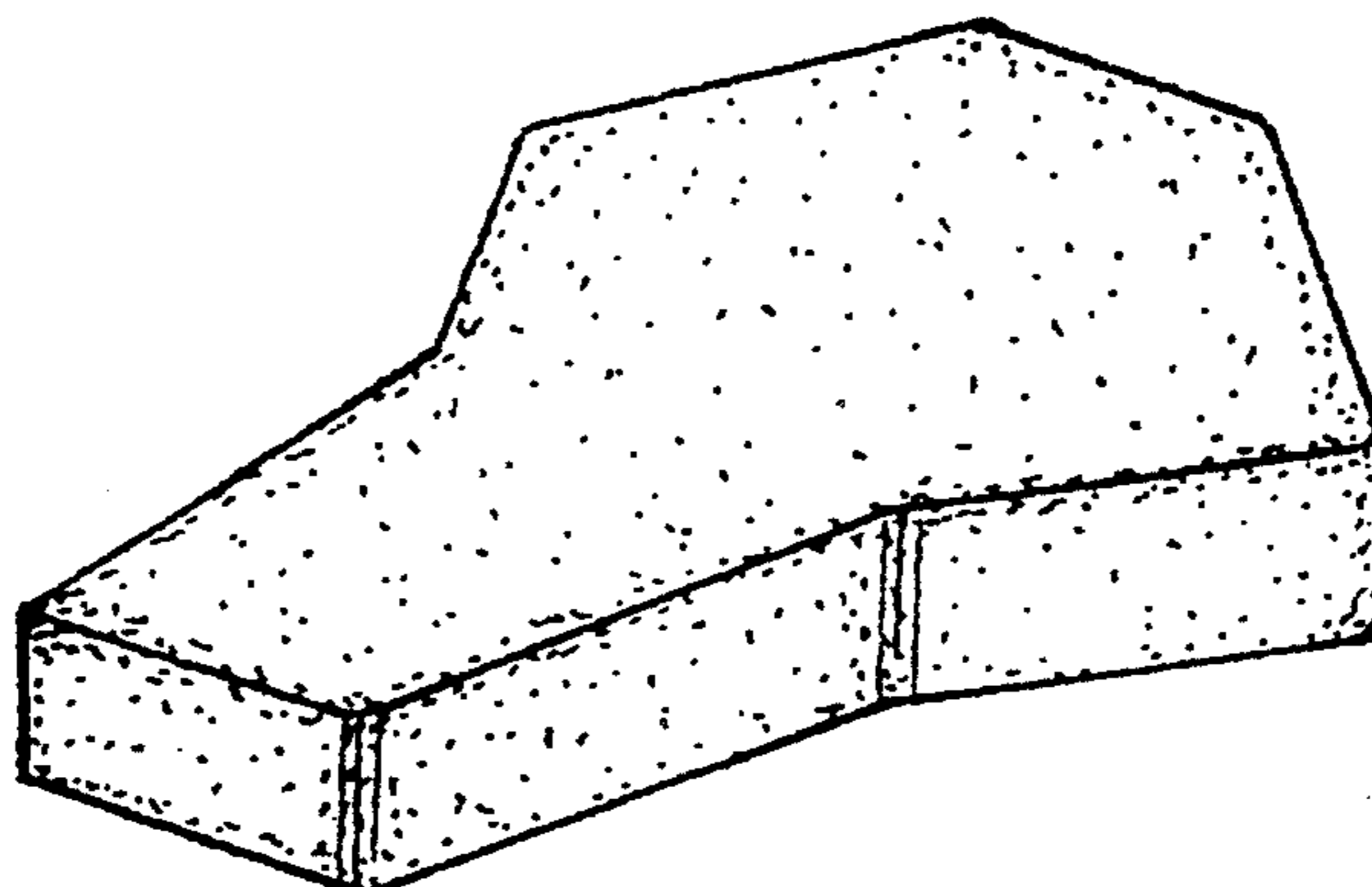
FIG. 12 is a right side elevational view of the paving stone of FIG. 11;

FIG. 13 is a left side elevational view of the paving stone of FIG. 11;

FIG. 14 is a front end view of the paving stone of FIG. 11;

FIG. 15 is a rear end view of the paving stone of FIG. 11; and,

FIG. 16 is a right hand perspective view of the paving stone of FIG. 11.



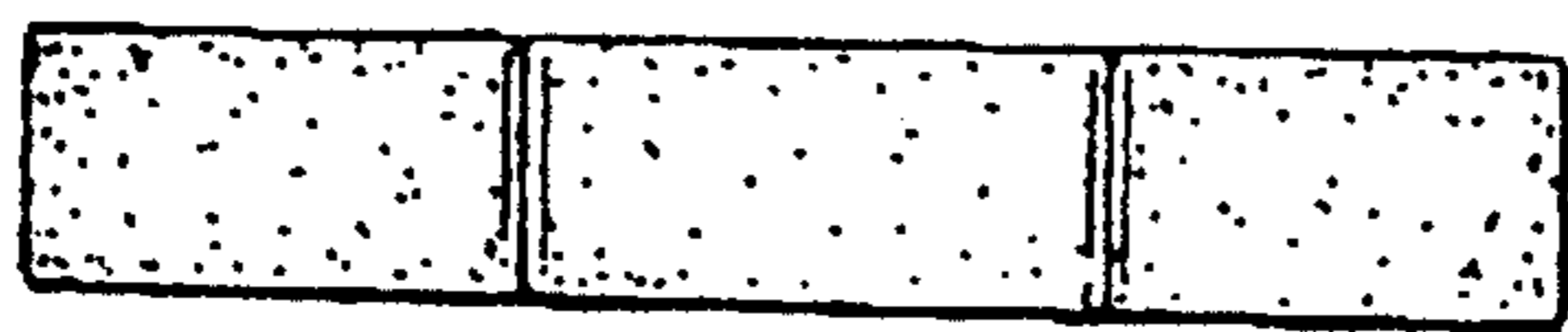


FIG. 3

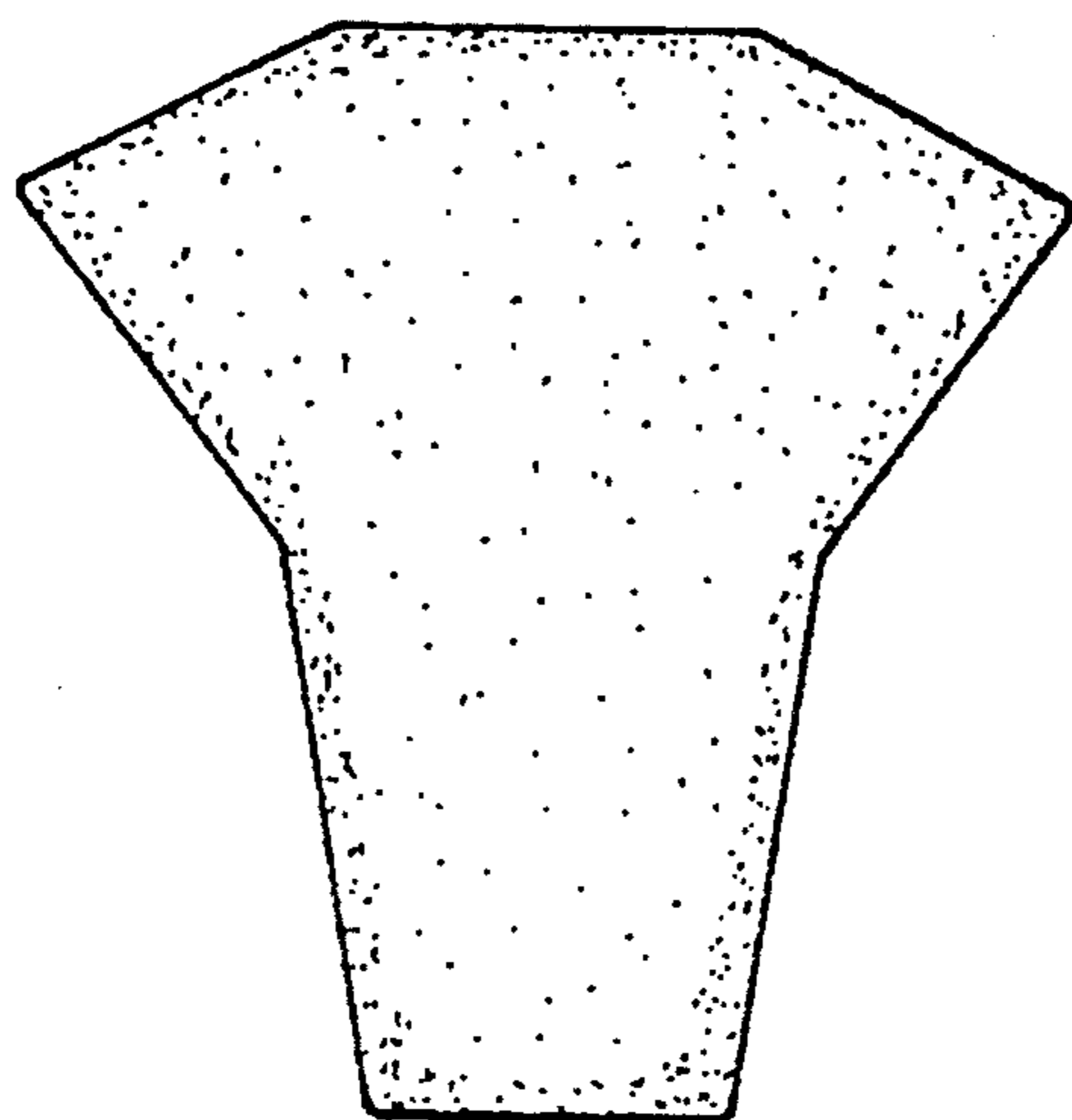


FIG. 1

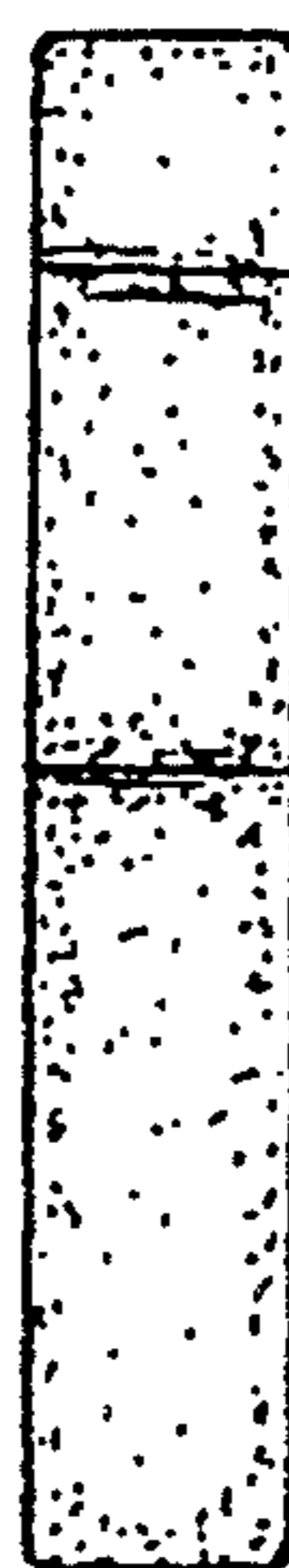


FIG. 2

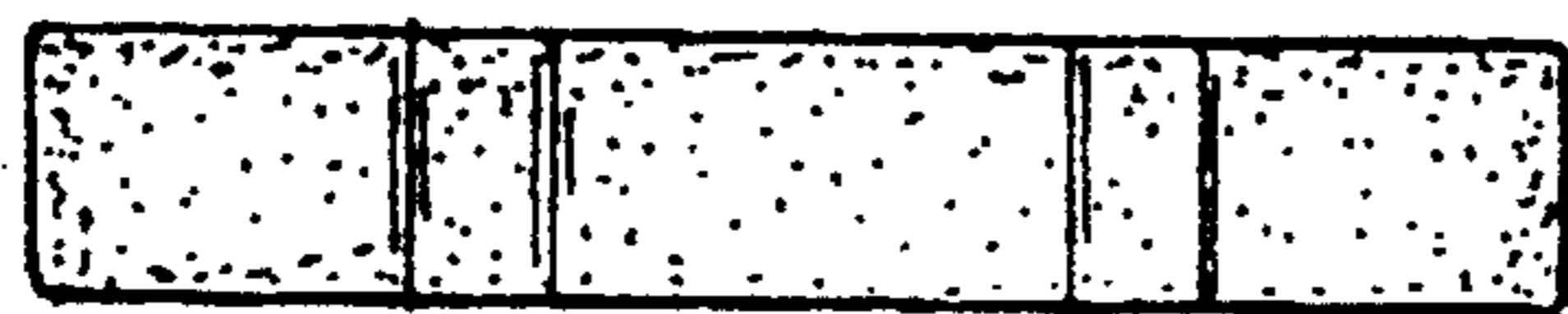


FIG. 4

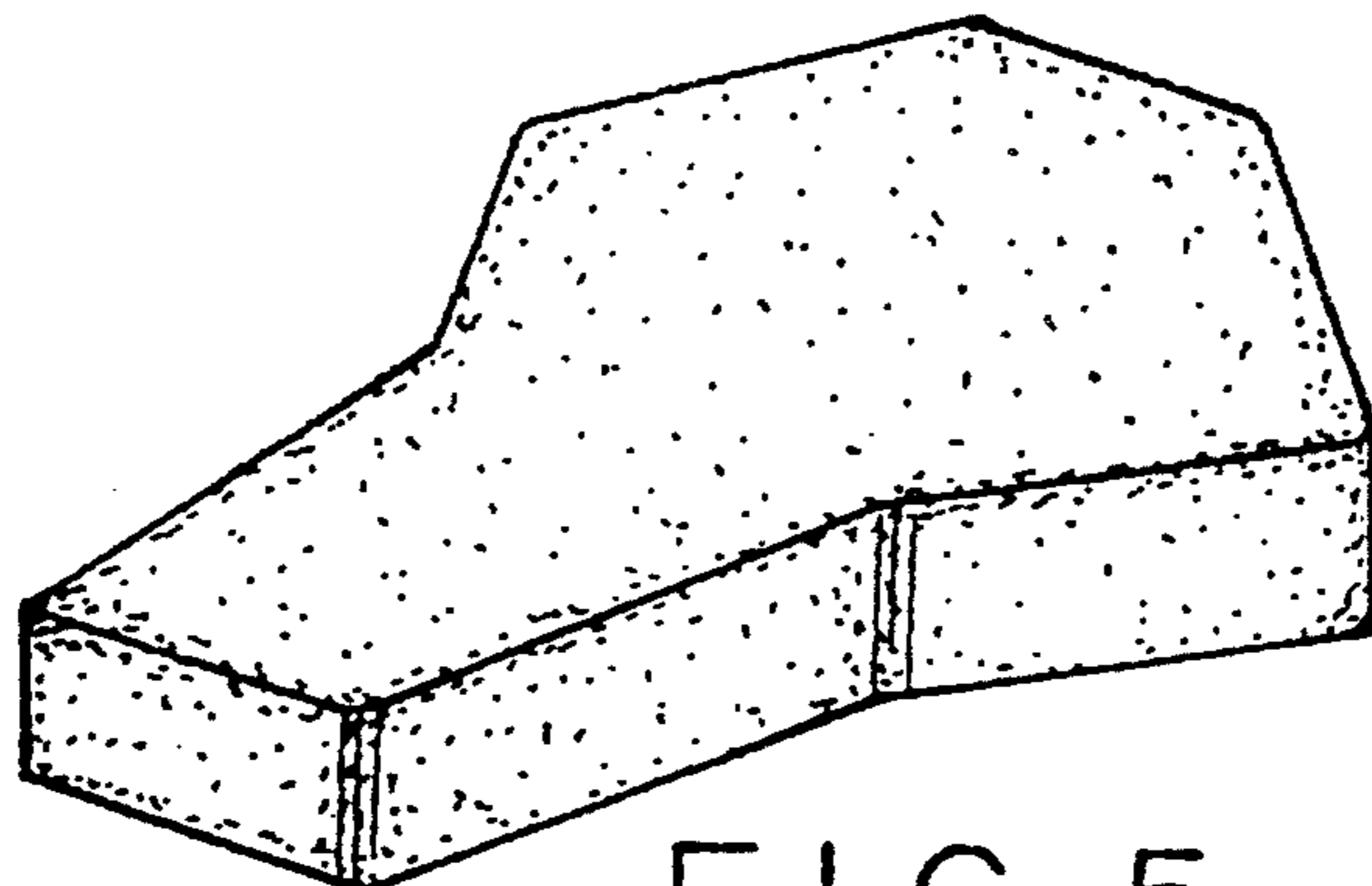


FIG. 5



FIG. 8

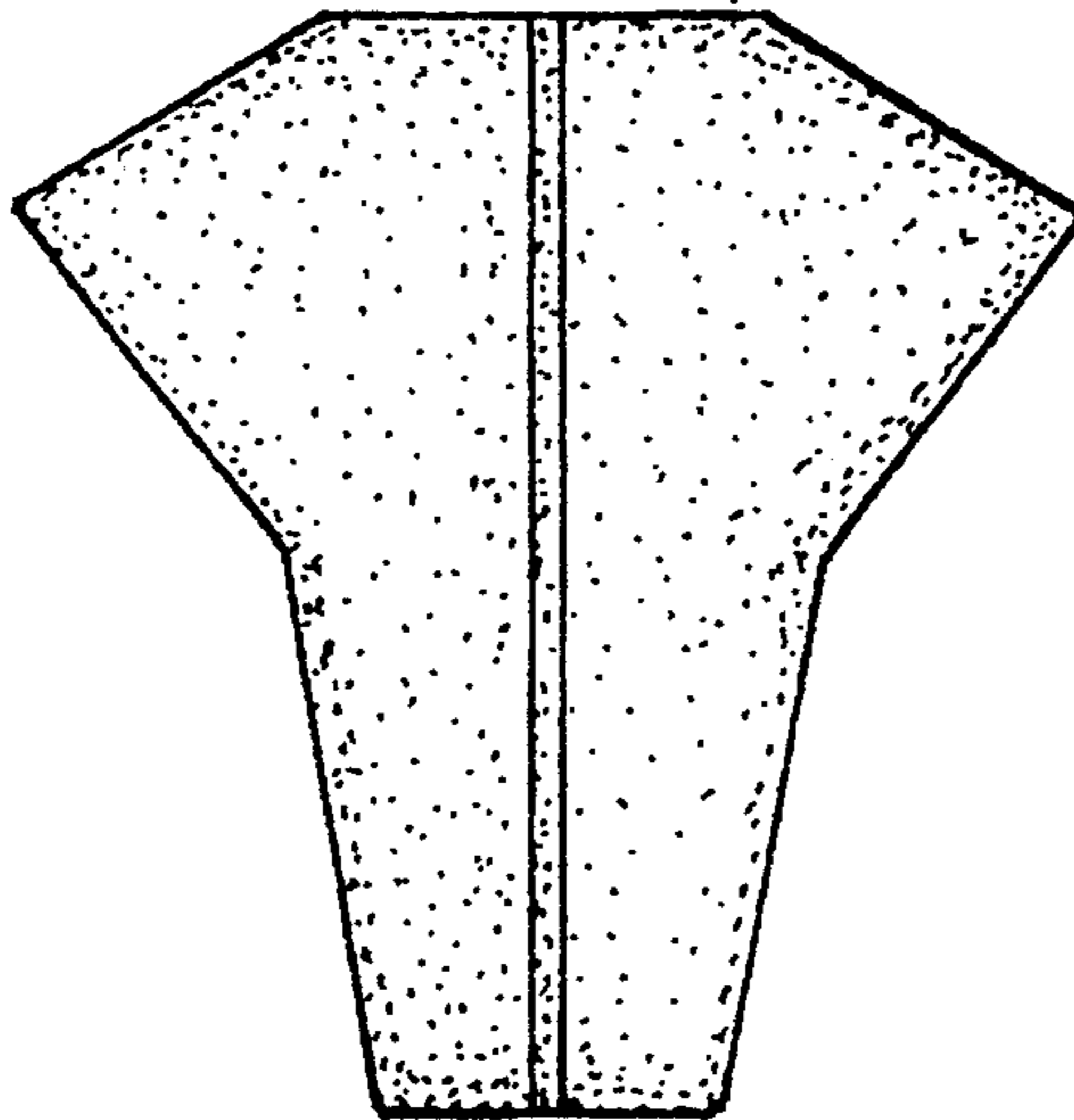


FIG. 6



FIG. 7

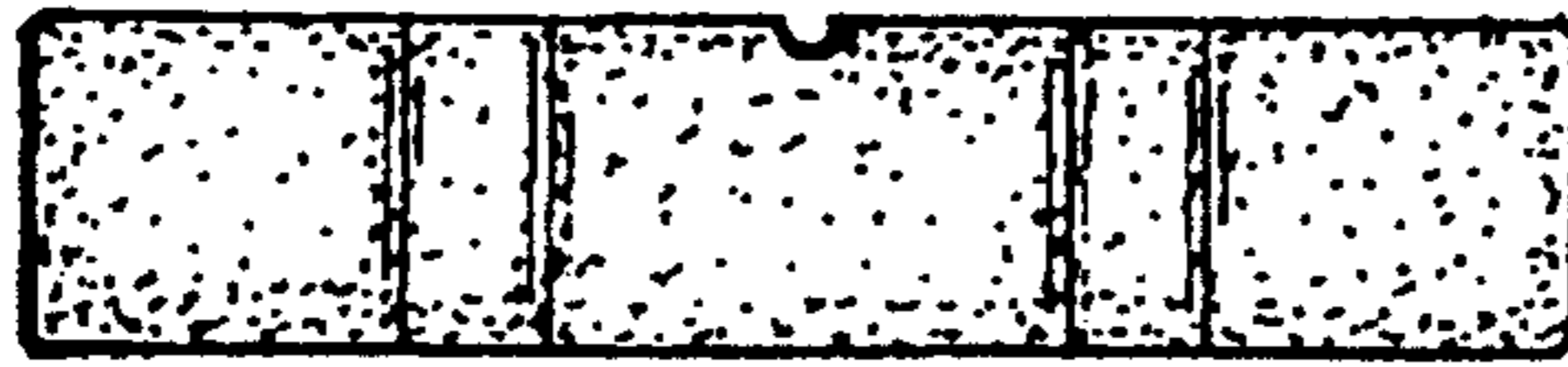


FIG. 9

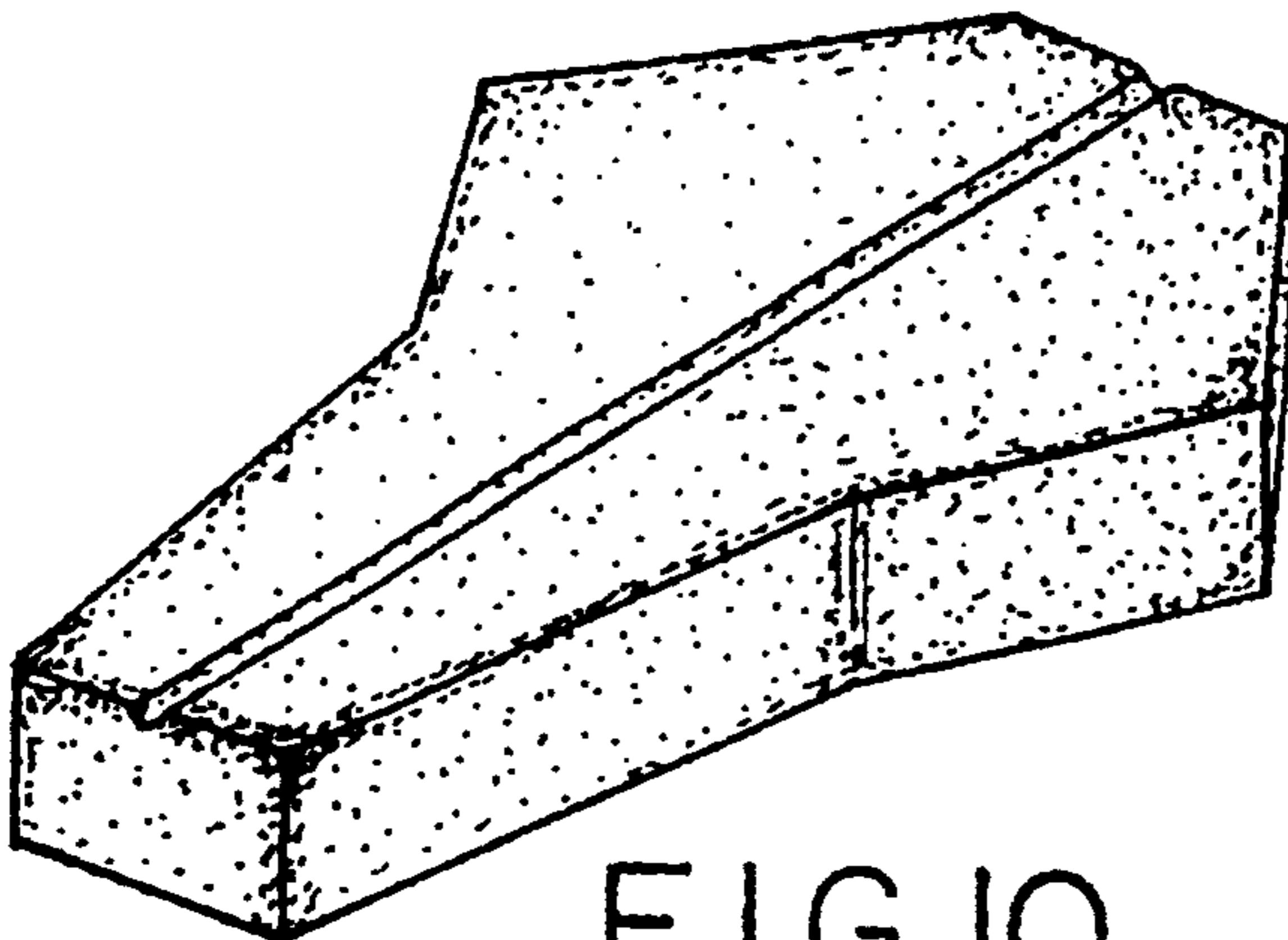


FIG. 10

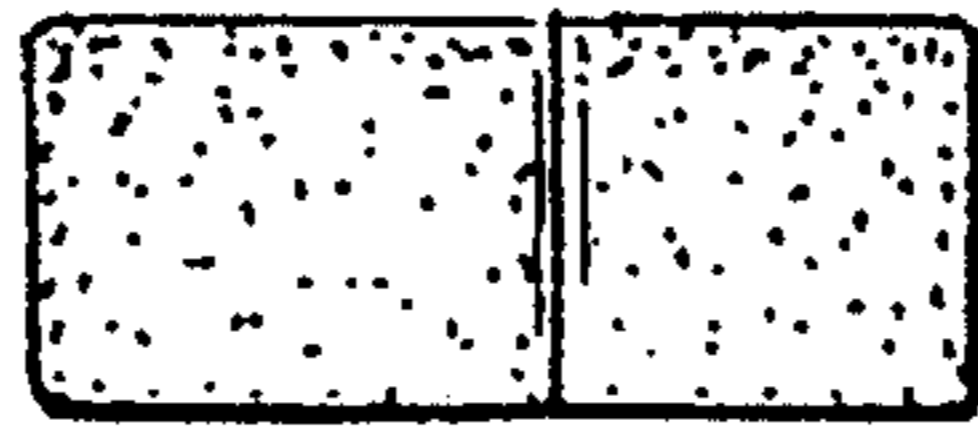


FIG. 14



FIG. 13

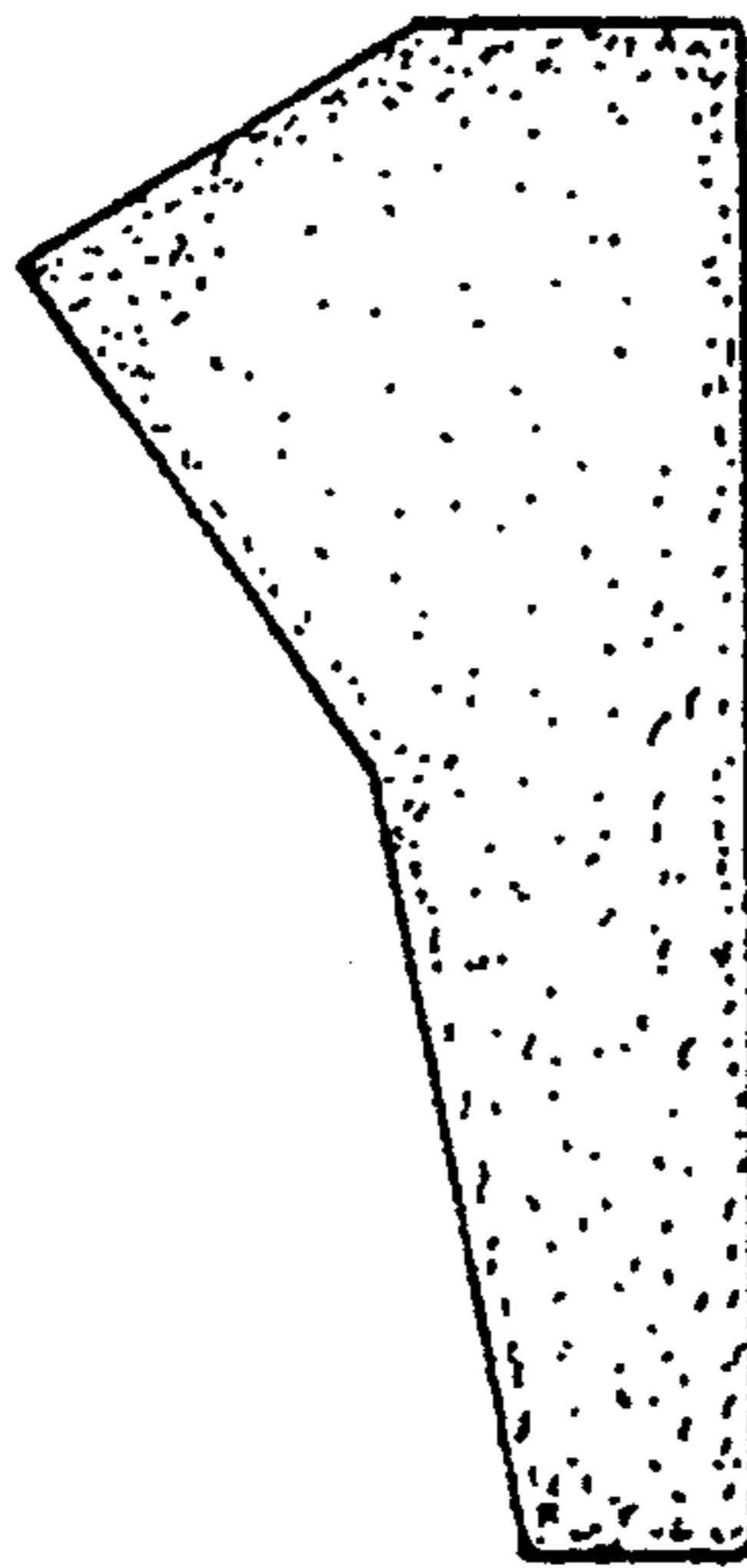


FIG. 11

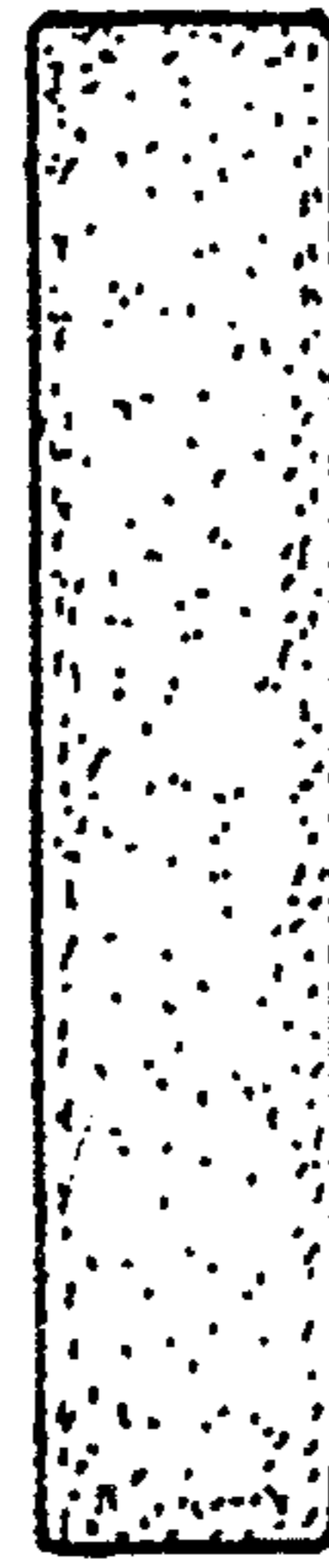


FIG. 12



FIG. 15

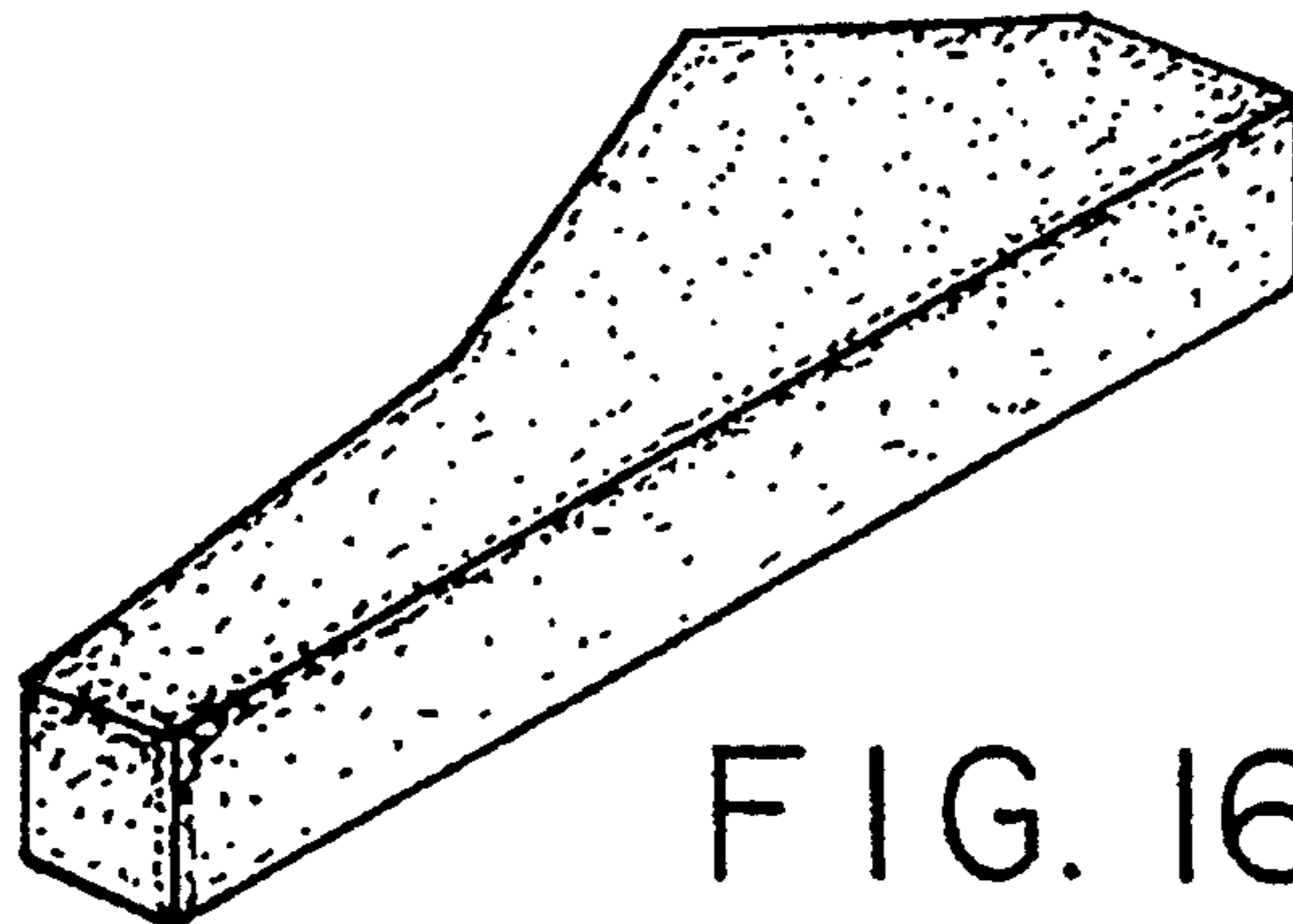


FIG. 16