



US00D349966S

United States Patent [19]

[11] Patent Number: Des. 349,966

Weir

[45] Date of Patent: ** Aug. 23, 1994

[54] SWIMMING POOL WALL SEAT UNIT

D. 267,198	12/1982	Hugueh	D25/2
D. 270,760	9/1983	Wiley	D25/2
5,228,148	7/1993	Weir	4/496

[75] Inventor: Donald H. Weir, York, Pa.

[73] Assignee: Wexco Incorporated, York, Pa.

[**] Term: 14 Years

Primary Examiner—A. Hugo Word
Assistant Examiner—Cathy Anne MacCormac
Attorney, Agent, or Firm—Arthur J. Plantamura

[21] Appl. No.: 904,540

[57] CLAIM

[22] Filed: Jun. 26, 1992

The ornamental design for swimming pool wall seat unit, as shown and described.

[52] U.S. Cl. D25/2; 4/496; D24/201

DESCRIPTION

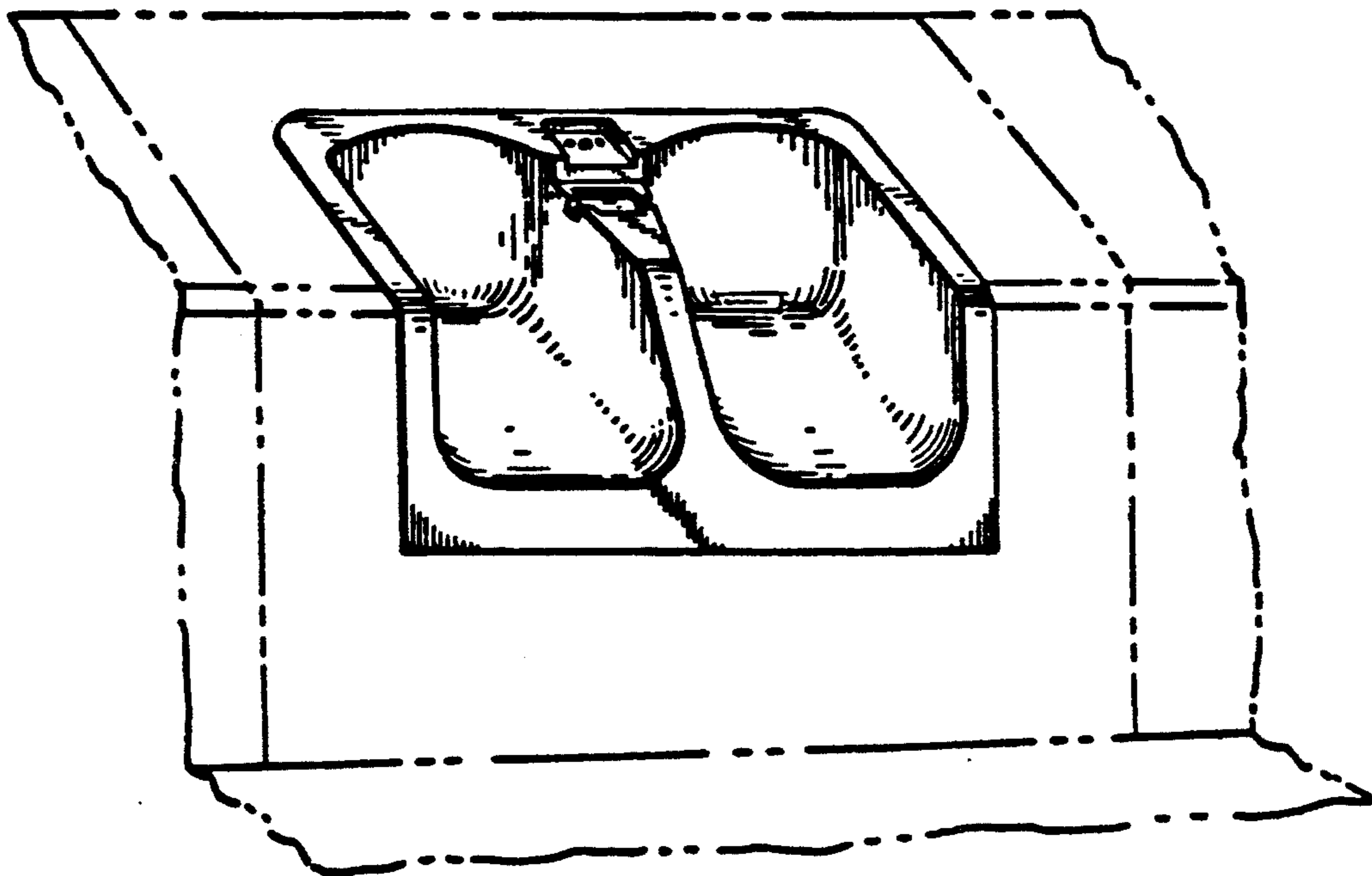
[58] Field of Search 4/494, 496, 488, 506; D25/2, 41, 62-63; D24/201-202, 204-205

FIG. 1 is a perspective view of the swimming pool wall seat unit showing my new design;
 FIG. 2 is a top plan view thereof;
 FIG. 3 is a cross sectional view taken along line 3—3 of FIG. 2;
 FIG. 4 is a right side elevational view thereof;
 FIG. 5 is a rear elevational view thereof;
 FIG. 6 is a left side elevational view thereof; and,
 FIG. 7 is a bottom plan view thereof;
 The broken lines are for purposes of illustration only and form no part of the claimed design.

[56] References Cited

U.S. PATENT DOCUMENTS

D. 251,201	2/1979	Mathis	D24/204
D. 254,688	4/1980	Reineman	D24/204
D. 259,510	6/1981	Reineman	D25/2
D. 260,931	9/1981	Reineman	D24/204
D. 264,505	5/1982	Reineman	D24/204
D. 264,629	5/1982	Longmire	D25/2



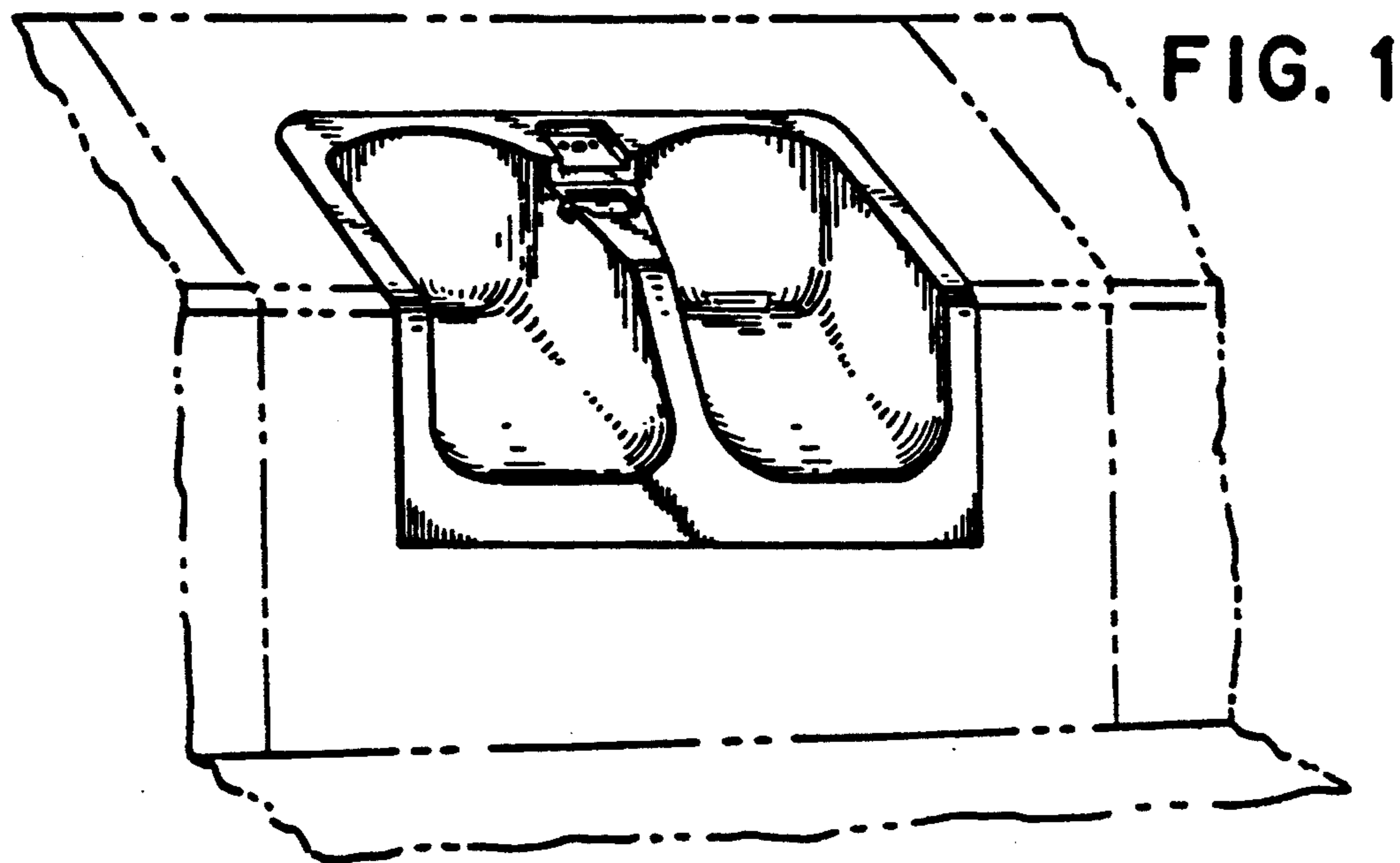


FIG. 1

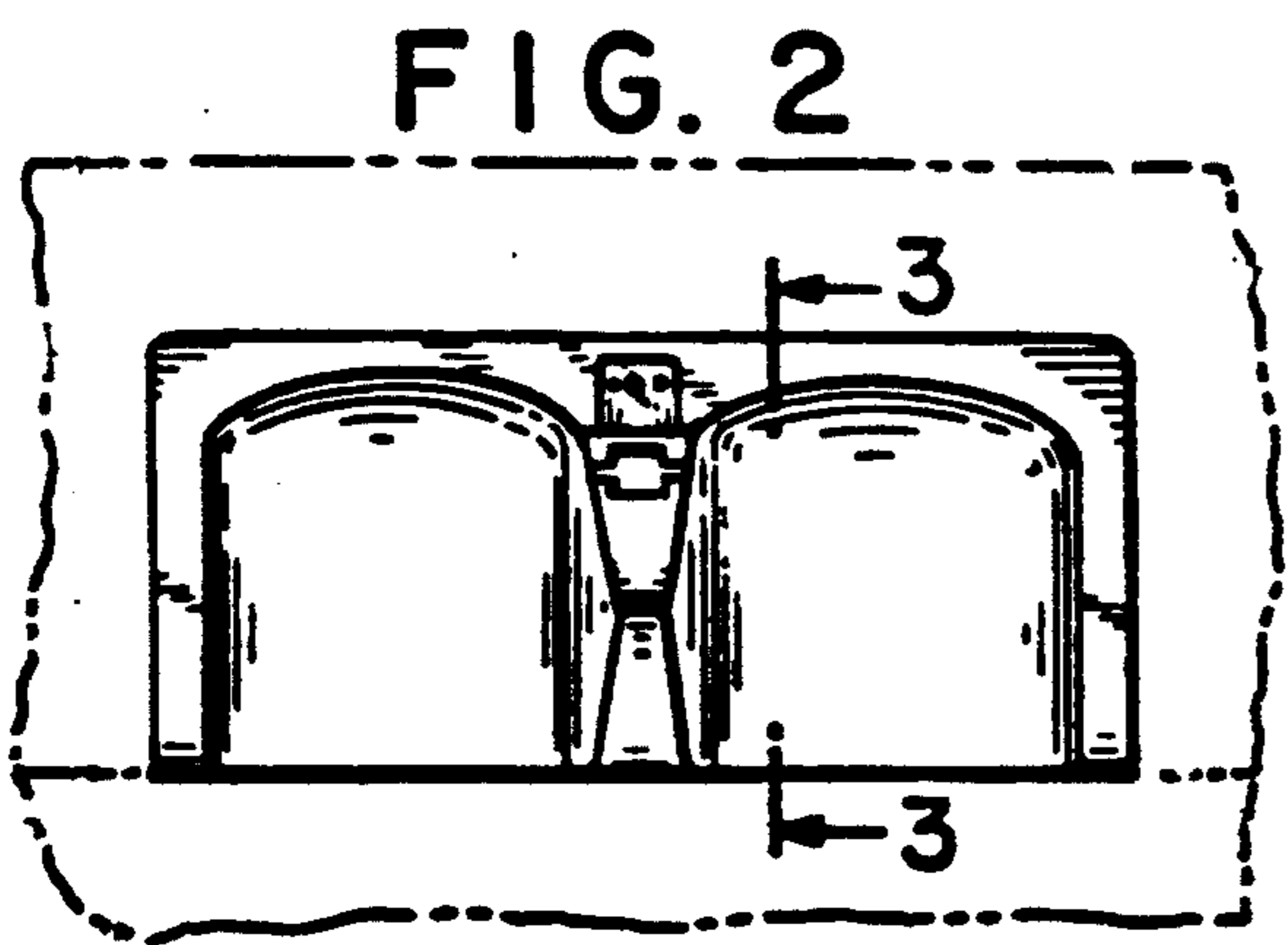


FIG. 2

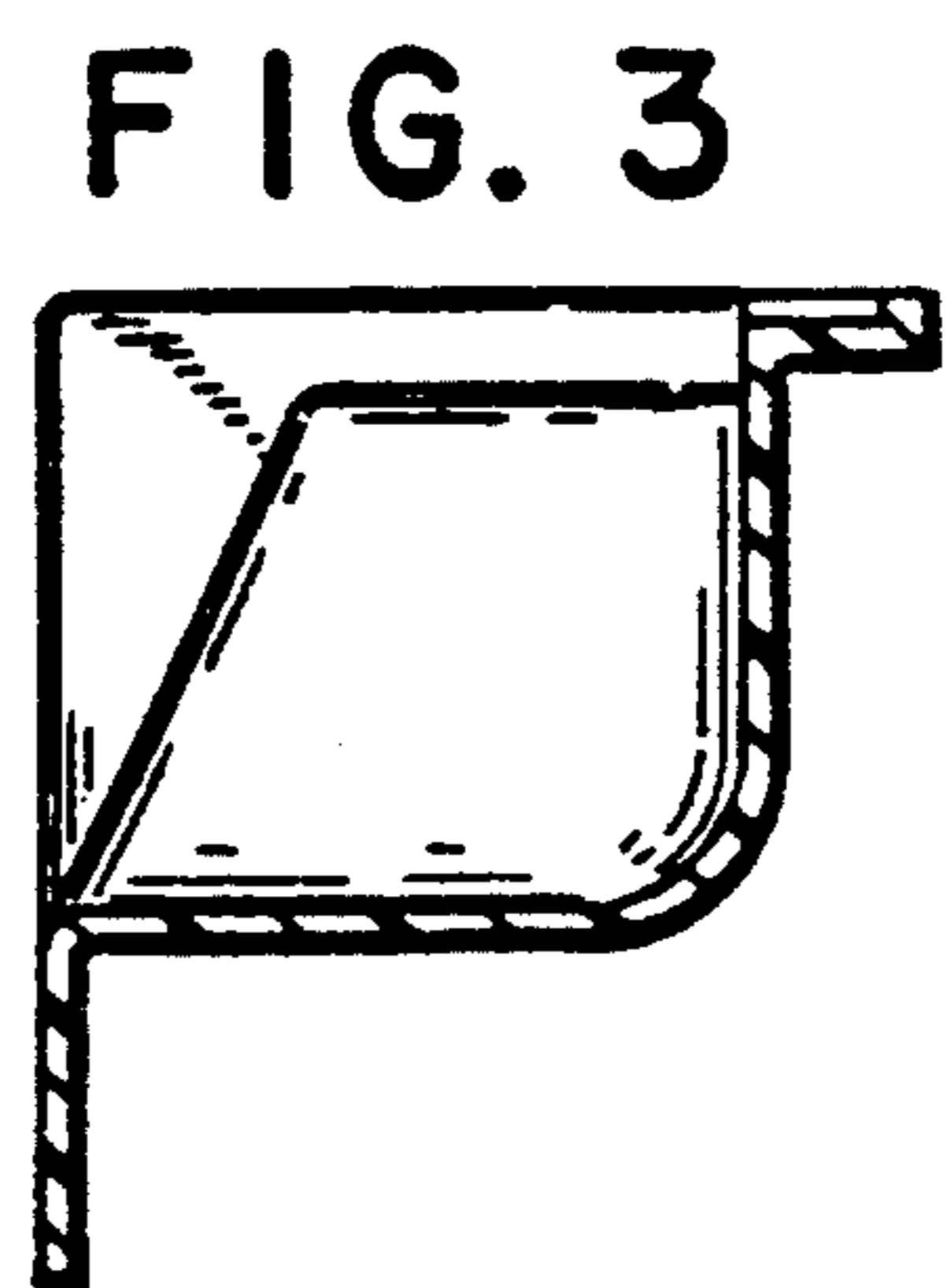


FIG. 3

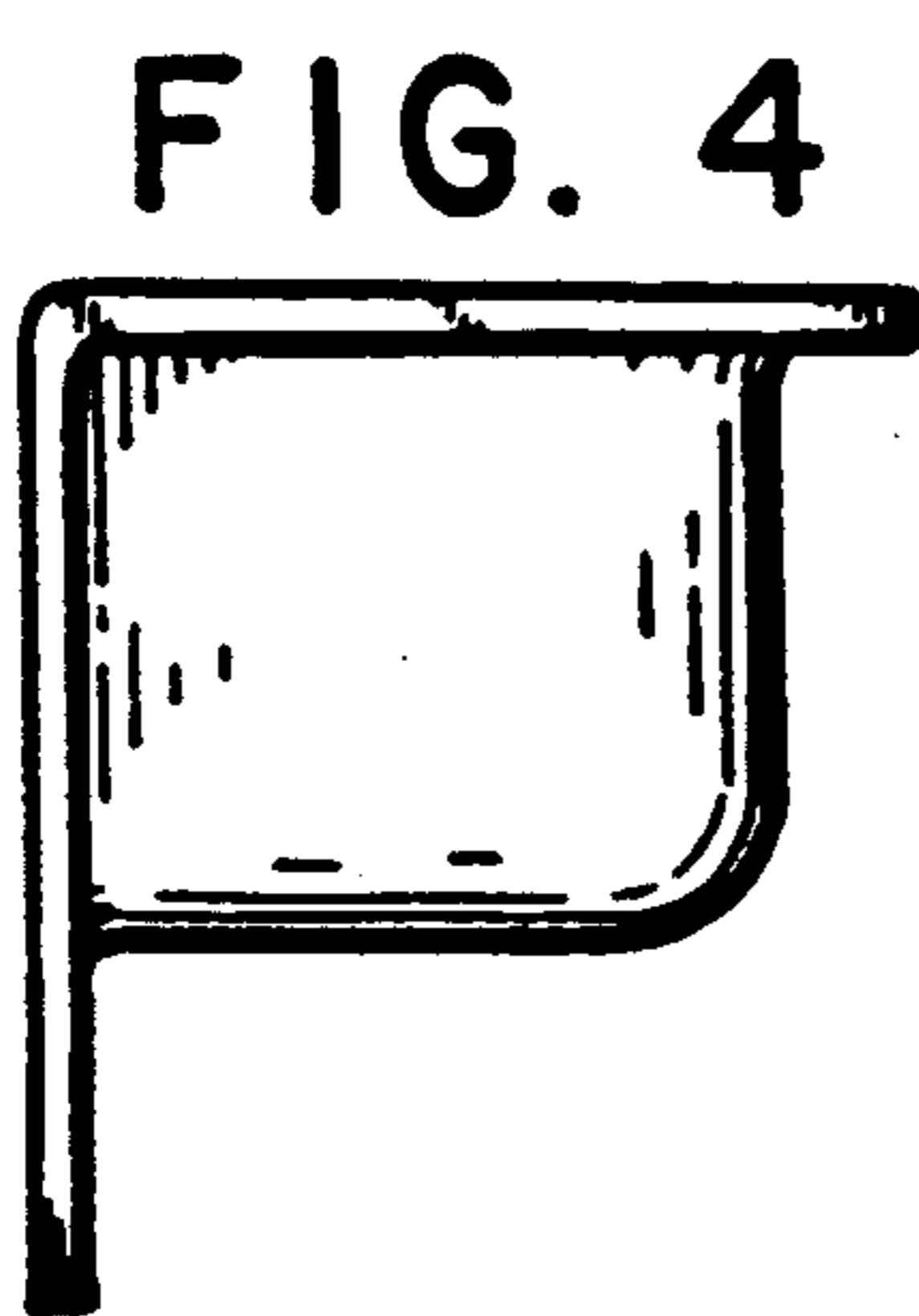


FIG. 4

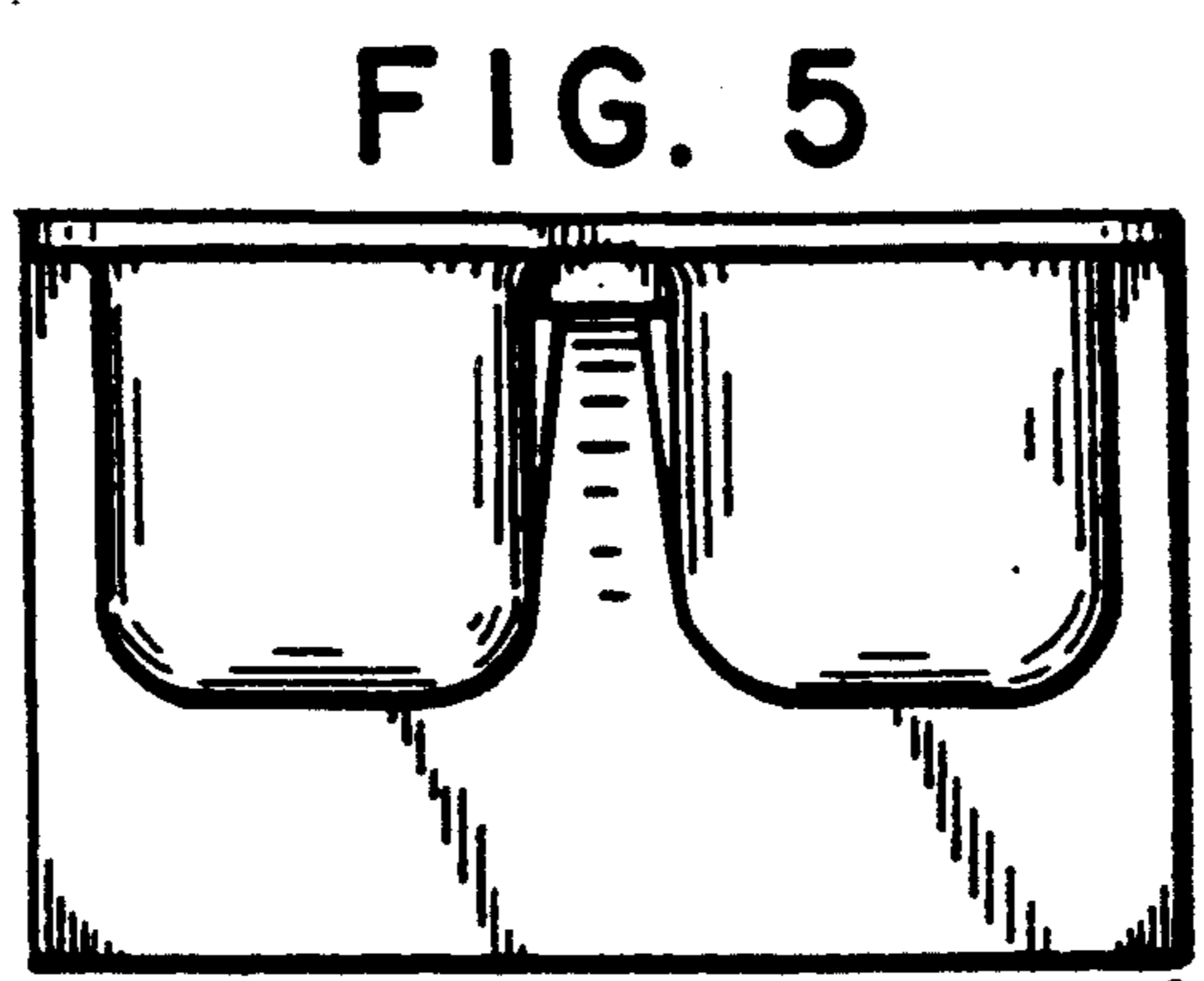


FIG. 5

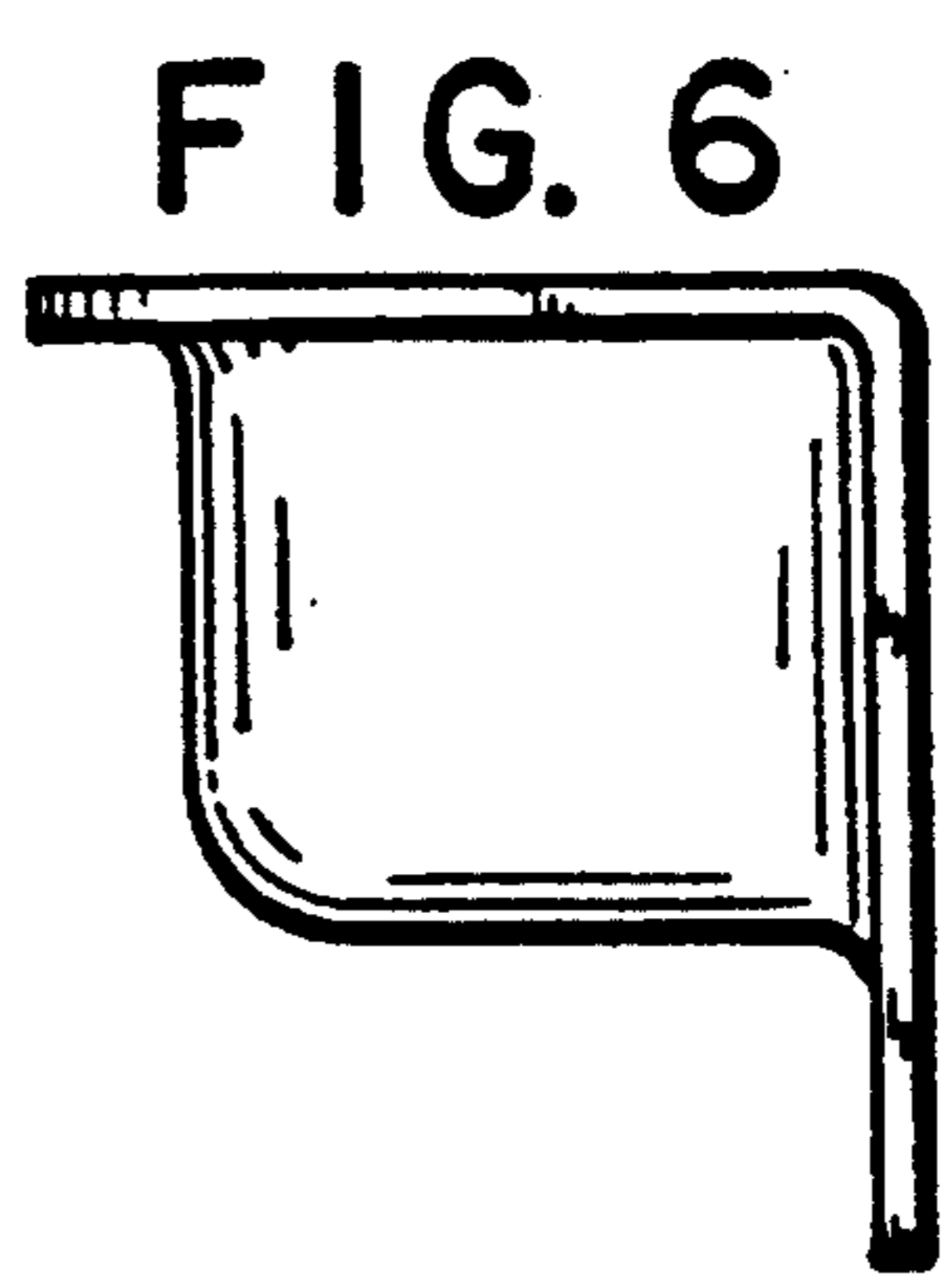


FIG. 6

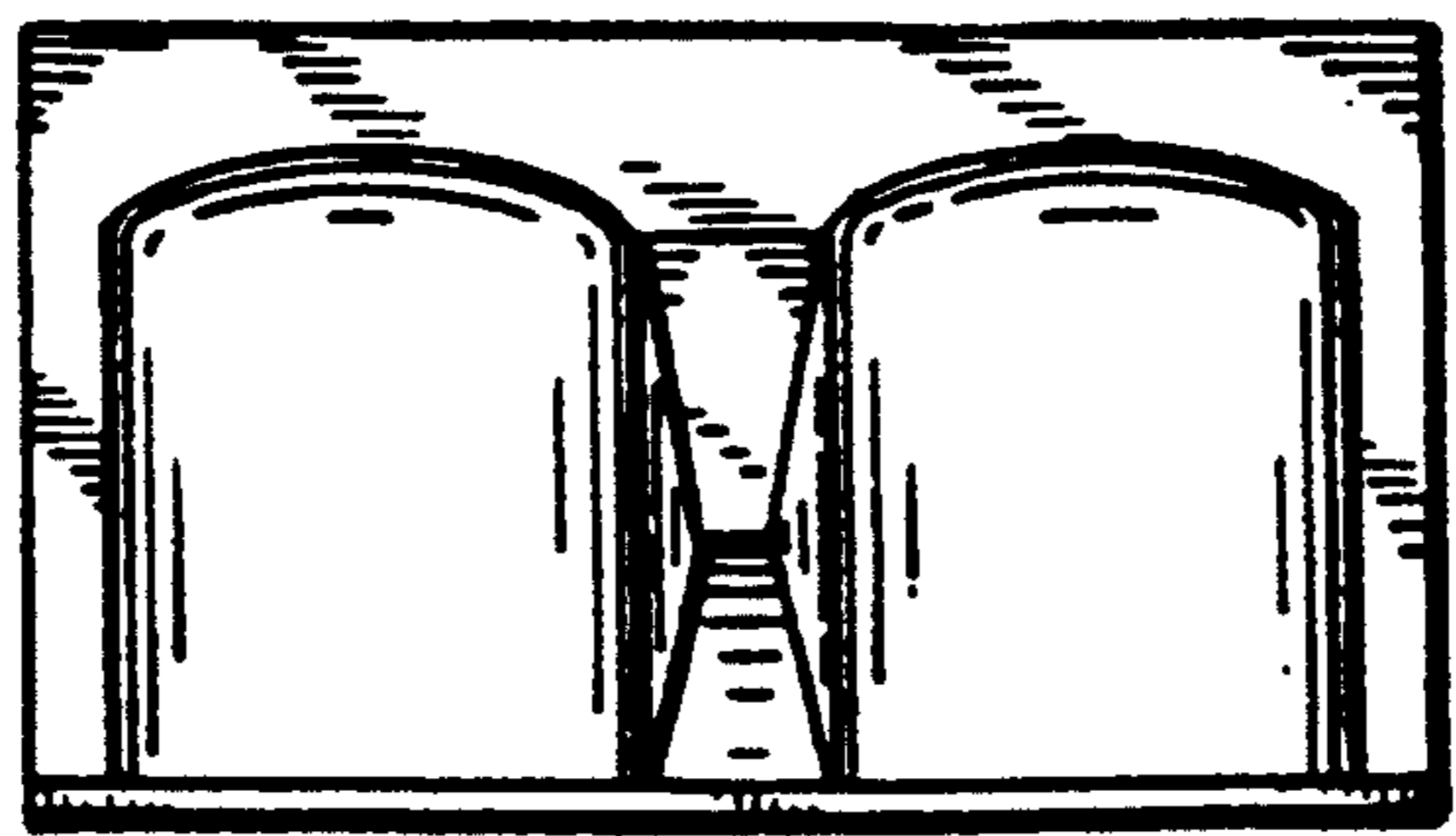


FIG. 7