



US00D349963S

United States Patent [19]

[11] Patent Number: **Des. 349,963**

Kane et al.

[45] Date of Patent: **** Aug. 23, 1994**

[54] **HEX MICRO TEST TUBE HOLDER**

[75] Inventors: **Louis A. Kane, Boston; Paul B. Chang, Holden, both of Mass.**

[73] Assignee: **Interlab Products, Inc., Framingham, Mass.**

[**] Term: **14 Years**

[21] Appl. No.: **148**

[22] Filed: **Oct. 6, 1992**

[52] U.S. Cl. **D24/227**

[58] Field of Search 206/443, 446, 564, 565, 206/560; 220/507, 509, 513, 516, 505, 23.4, 23.6; D3/230, 203; 422/102, 104, 49; D24/227, 229, 230

D. 316,146 4/1991 Payne et al. D24/227
 D. 327,646 7/1992 Hardigg et al. D9/424 X
 2,538,924 1/1951 Stearn 220/507 X
 3,643,812 2/1972 Mander et al. 206/564 X

Primary Examiner—A. Hugo Word
Assistant Examiner—I. Simmons
Attorney, Agent, or Firm—Herbert L. Bello

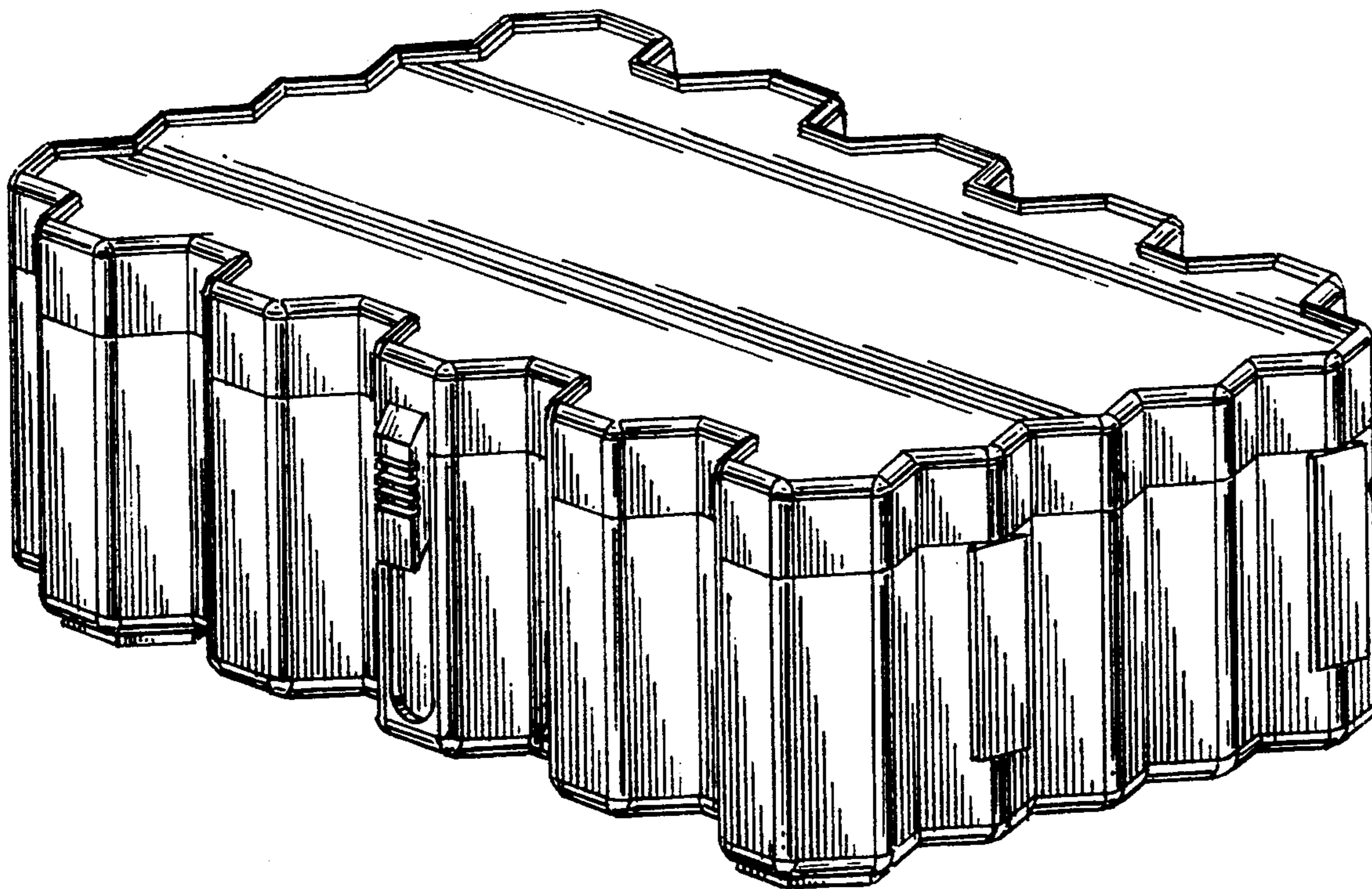
[57] CLAIM

The ornamental design for a hex micro test tube holder, as shown and described.

DESCRIPTION

FIG. 1 is a top, front and right side perspective view of a test tube holder showing our new design;
 FIG. 2 is a top plan view thereof;
 FIG. 3 is a front view thereof;
 FIG. 4 is a right side view thereof;
 FIG. 5 is a left side view thereof;
 FIG. 6 is a rear view thereof; and,
 FIG. 7 is a bottom plan view thereof.

[56] **References Cited**
U.S. PATENT DOCUMENTS
 D. 264,810 6/1982 Voltmann D24/230 X



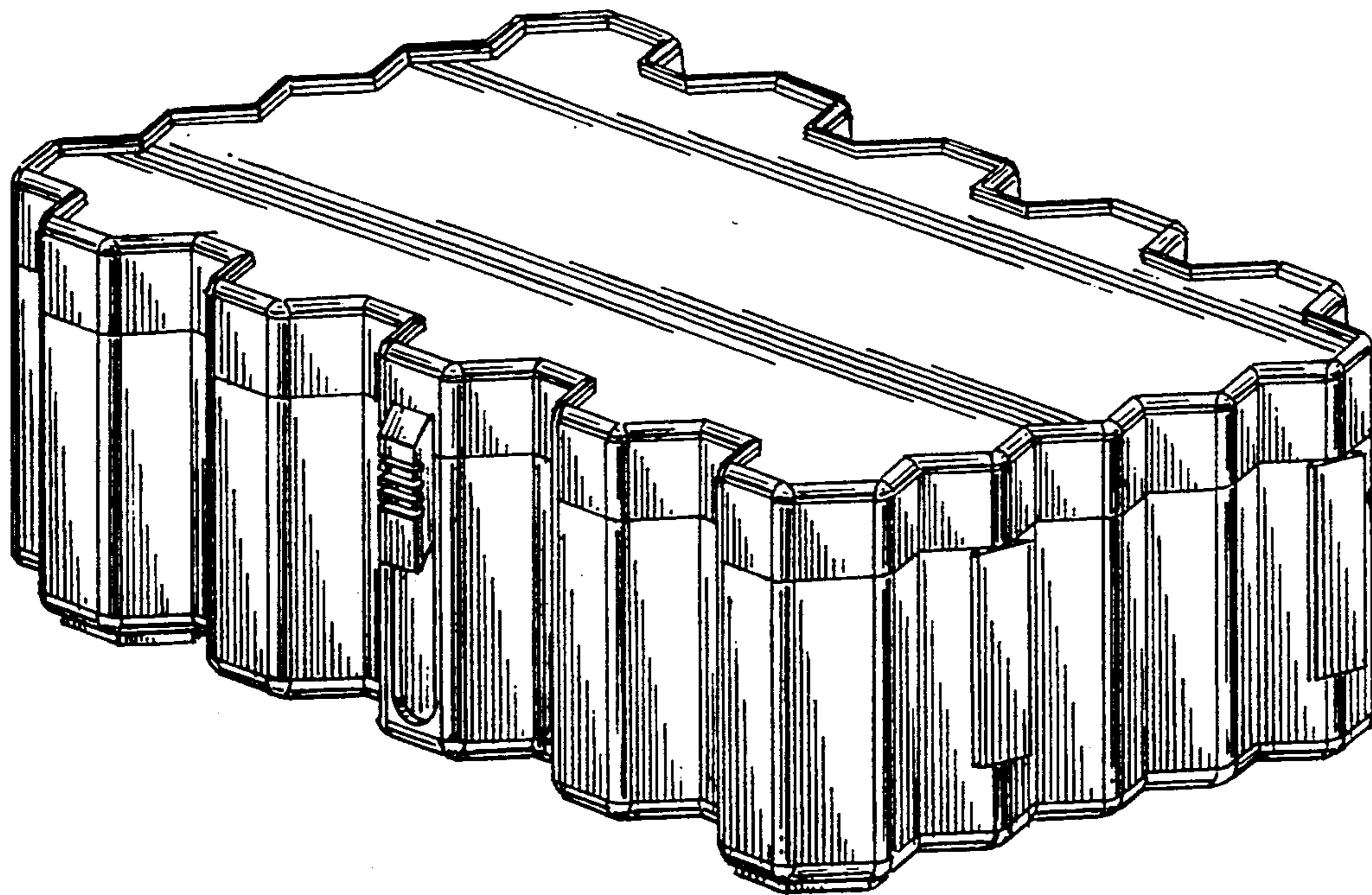


FIG. 1

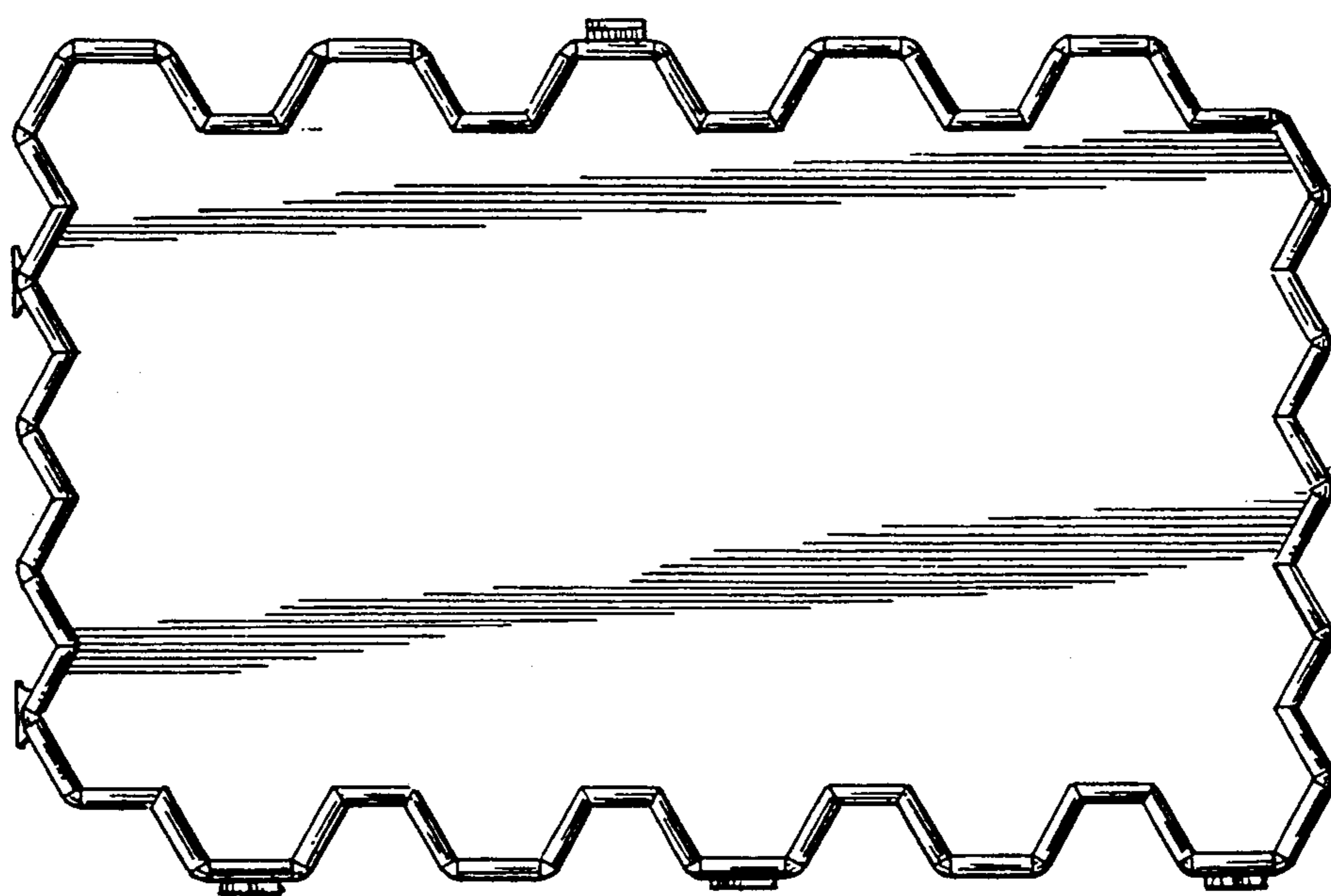


FIG. 2

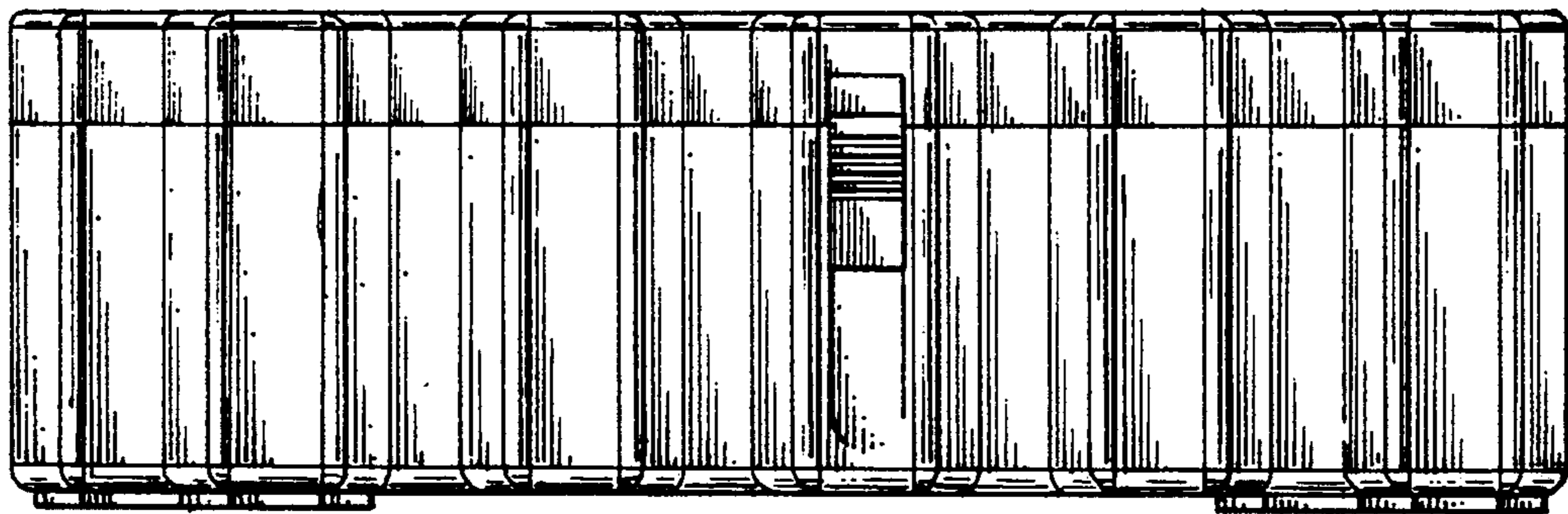


FIG. 3

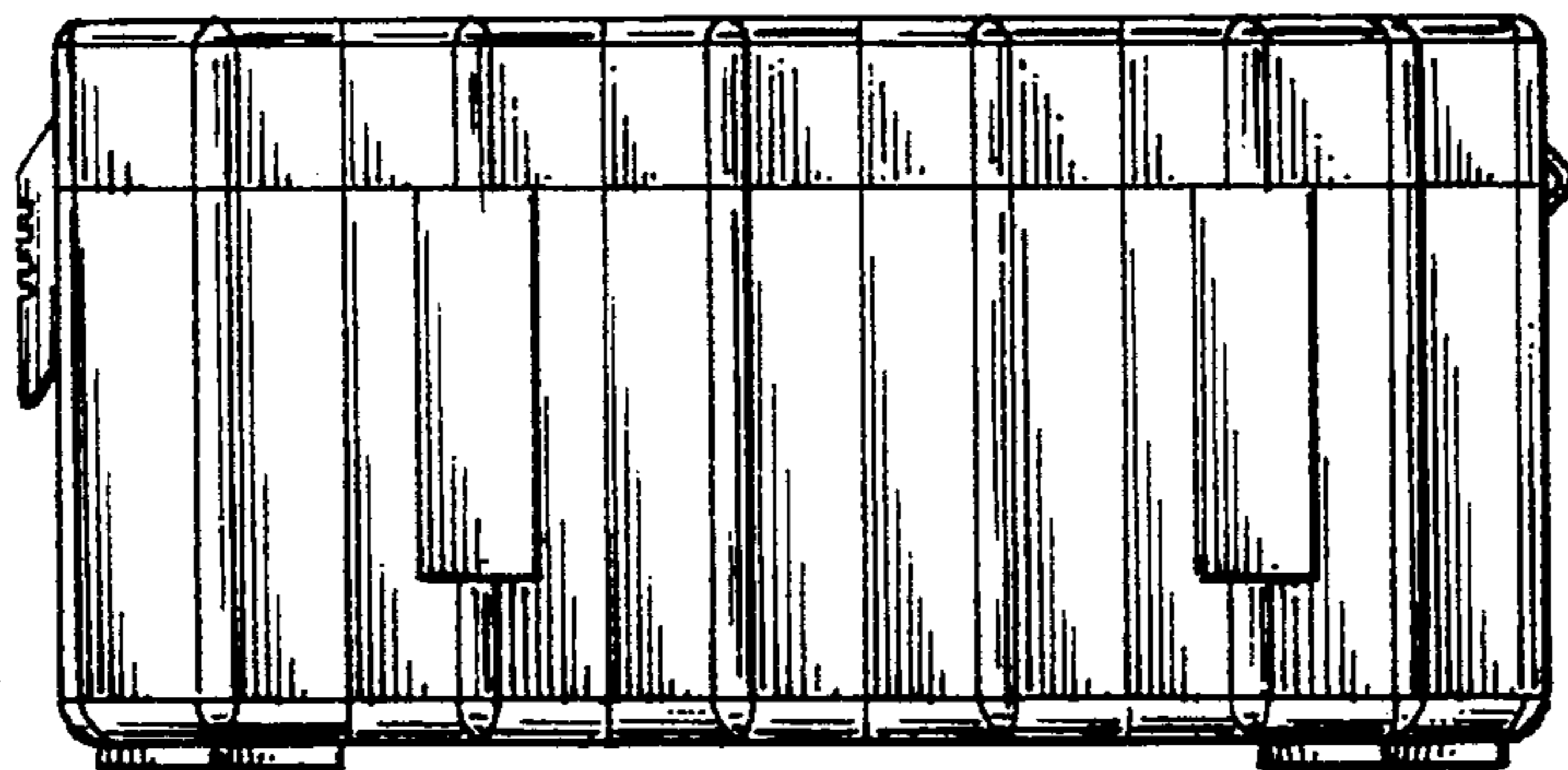


FIG. 4

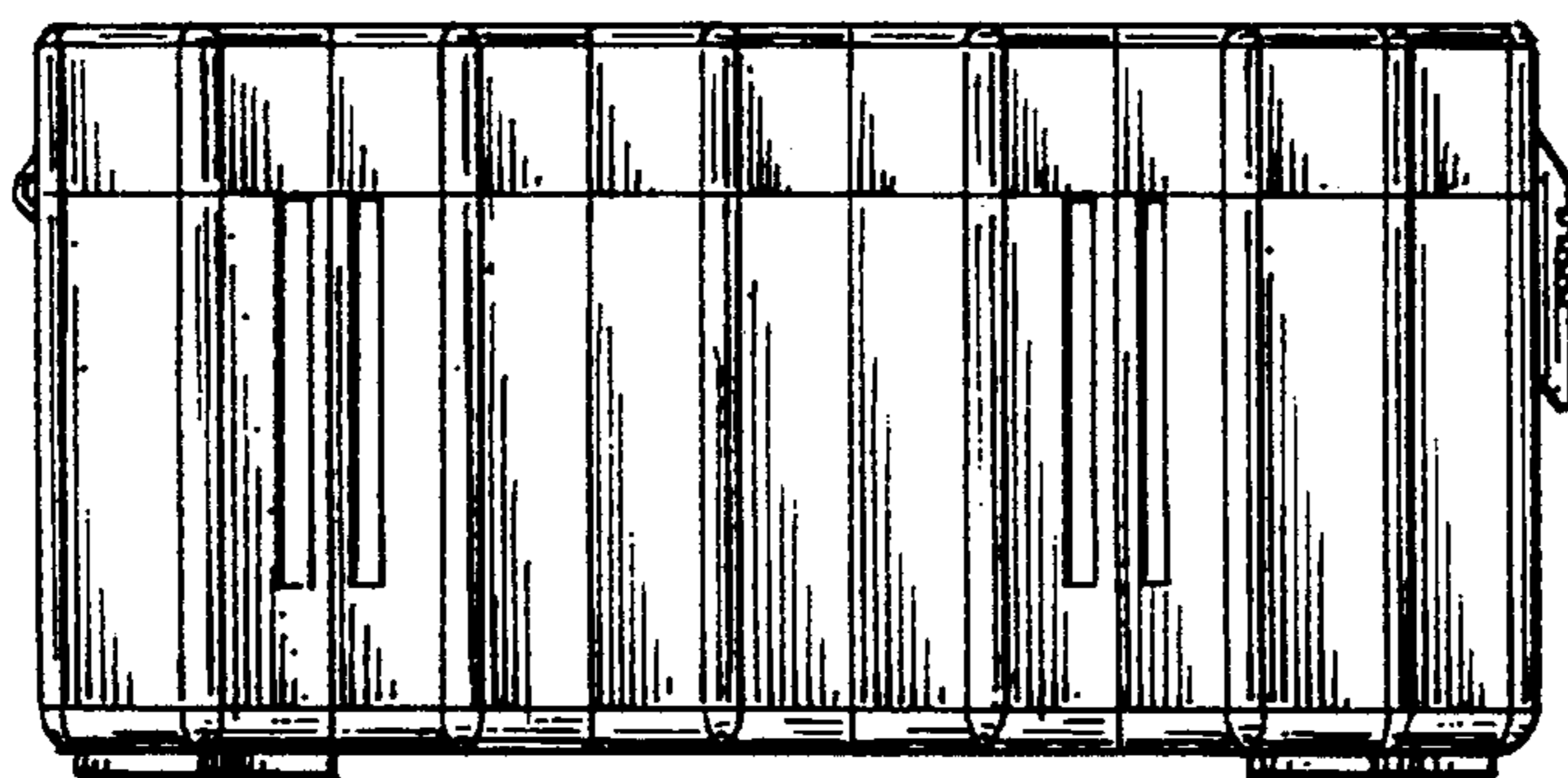


FIG. 5

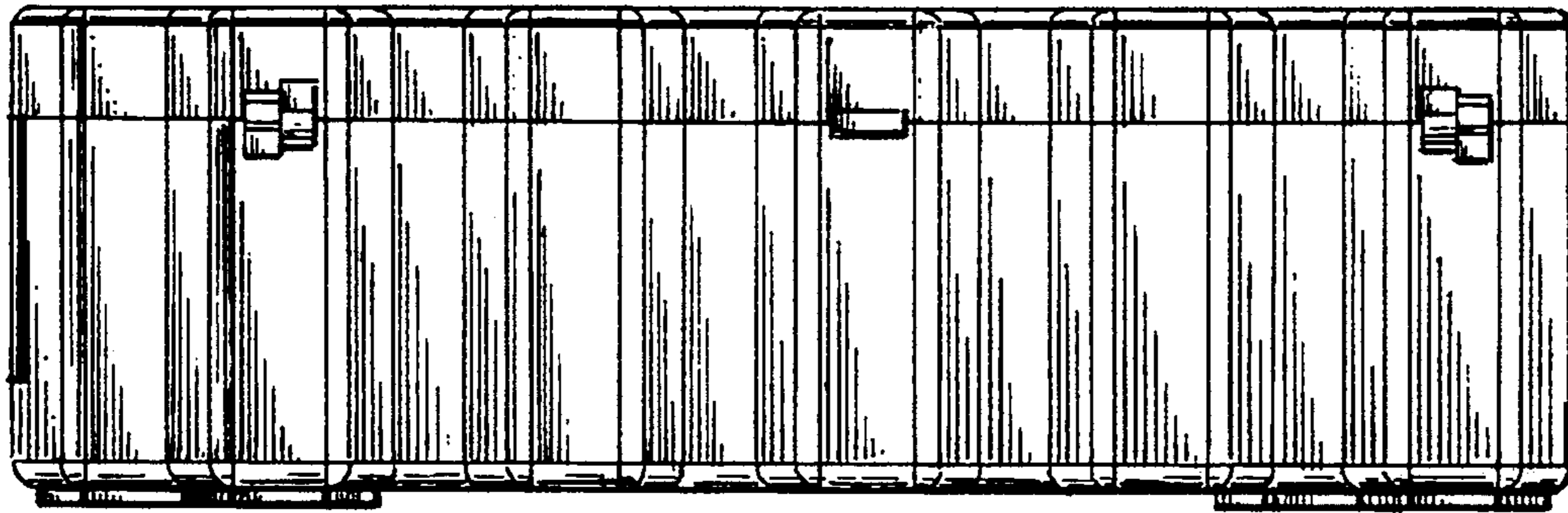


FIG. 6

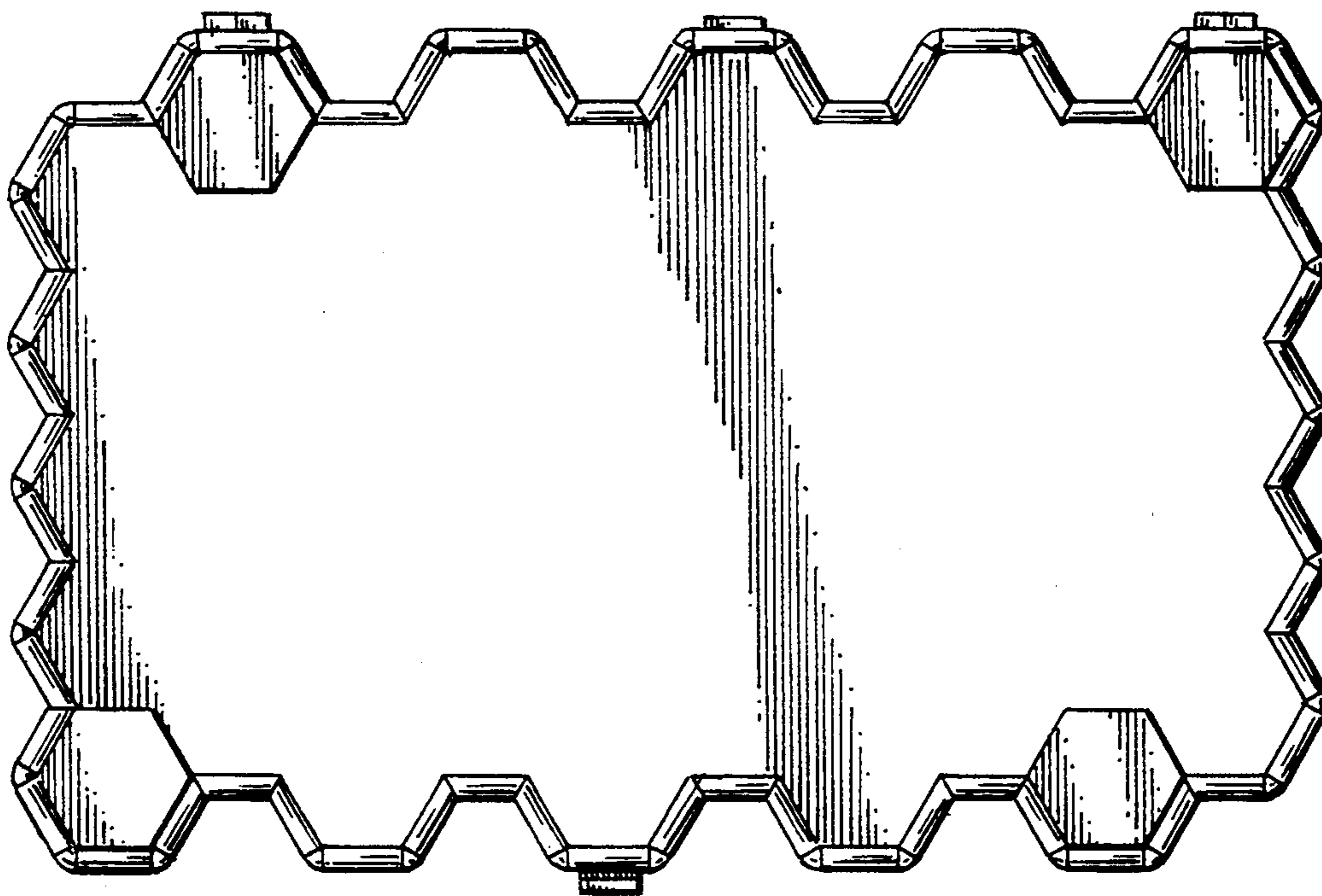


FIG. 7