



US00D349958S

United States Patent [19]

[11] Patent Number: **Des. 349,958**

Hollis et al.

[45] Date of Patent: **** Aug. 23, 1994**

[54] **NEEDLELESS INJECTOR**

[75] Inventors: **Richard B. Hollis**, Vancouver, Wash.; **Steven F. Peterson**, West Linn, Oreg.

[73] Assignee: **Bioject Inc.**, Portland, Oreg.

[**] Term: **14 Years**

[21] Appl. No.: **920,144**

[22] Filed: **Jul. 24, 1992**

[52] U.S. Cl. **D24/112; D24/114; D24/133; D24/136**

[58] Field of Search 604/68, 411, 414, 69, 604/70, 71, 72; D24/113, 112, 114, 146

[56] **References Cited**

U.S. PATENT DOCUMENTS

D. 277,506	2/1985	Ibis	D24/113
D. 316,899	5/1991	Andersson et al.	D24/113
D. 330,079	10/1992	Palling et al.	D24/114 X
2,754,818	7/1956	Scherer	604/68
4,329,988	5/1982	Sarnoff et al. .	
4,850,967	7/1989	Cosmai	604/68

4,874,367	10/1989	Edwards .	
4,913,699	4/1990	Parsons .	
4,941,880	7/1990	Burns	604/68 X
5,024,656	6/1991	Gasaway et al. .	
5,064,413	11/1991	McKinnon et al.	604/70
5,080,648	1/1992	D'Antonio .	

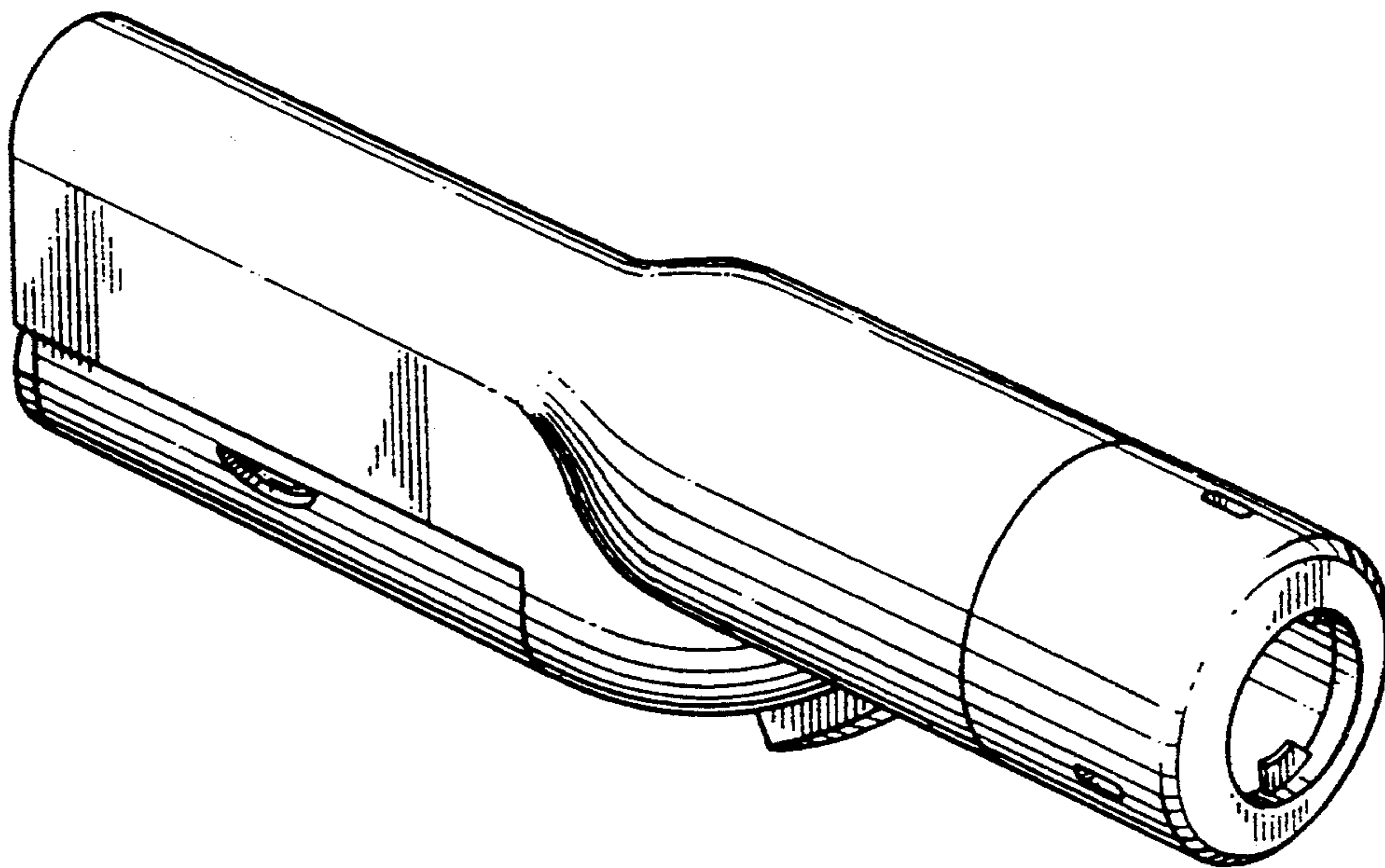
Primary Examiner—Stella Reid
Assistant Examiner—I. Simmons
Attorney, Agent, or Firm—Lyon & Lyon

[57] **CLAIM**

The ornamental design for a needleless injector, as shown and described.

DESCRIPTION

FIG. 1 is a right side elevation view of a needleless injector showing our new design; FIG. 2 is left side elevation view thereof; FIG. 3 is top plan view thereof; FIG. 4 is a bottom view thereof; FIG. 5 is front elevation view thereof; FIG. 6 is back elevation view thereof; and, FIG. 7 is front, top and right side perspective view thereof.



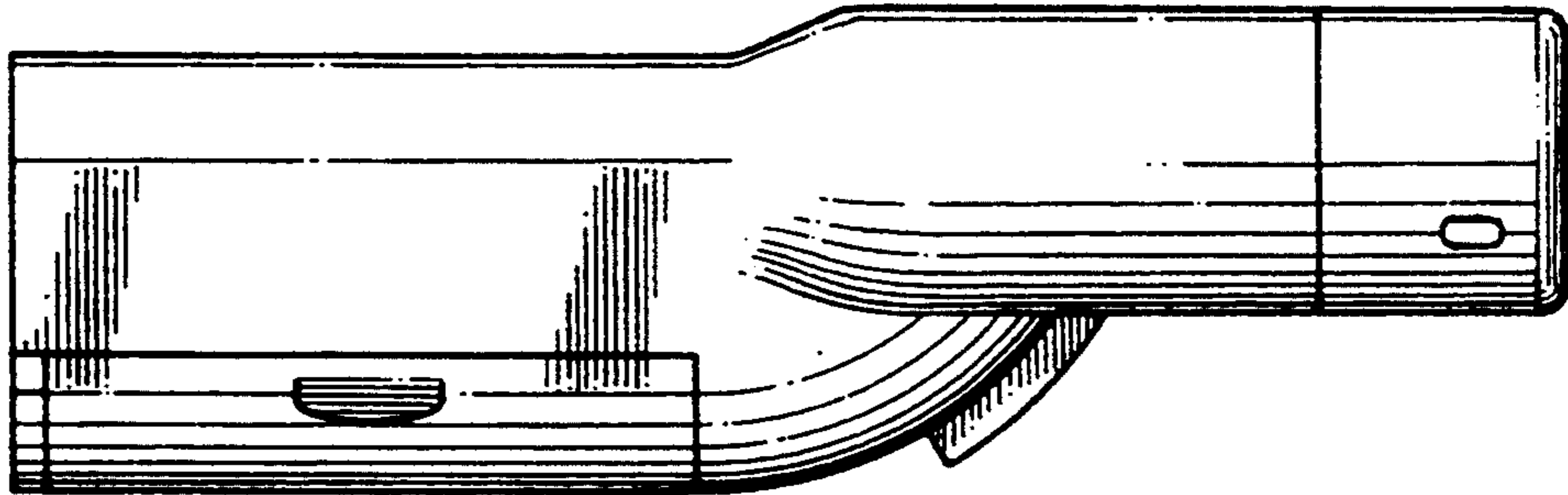


FIG. 1.

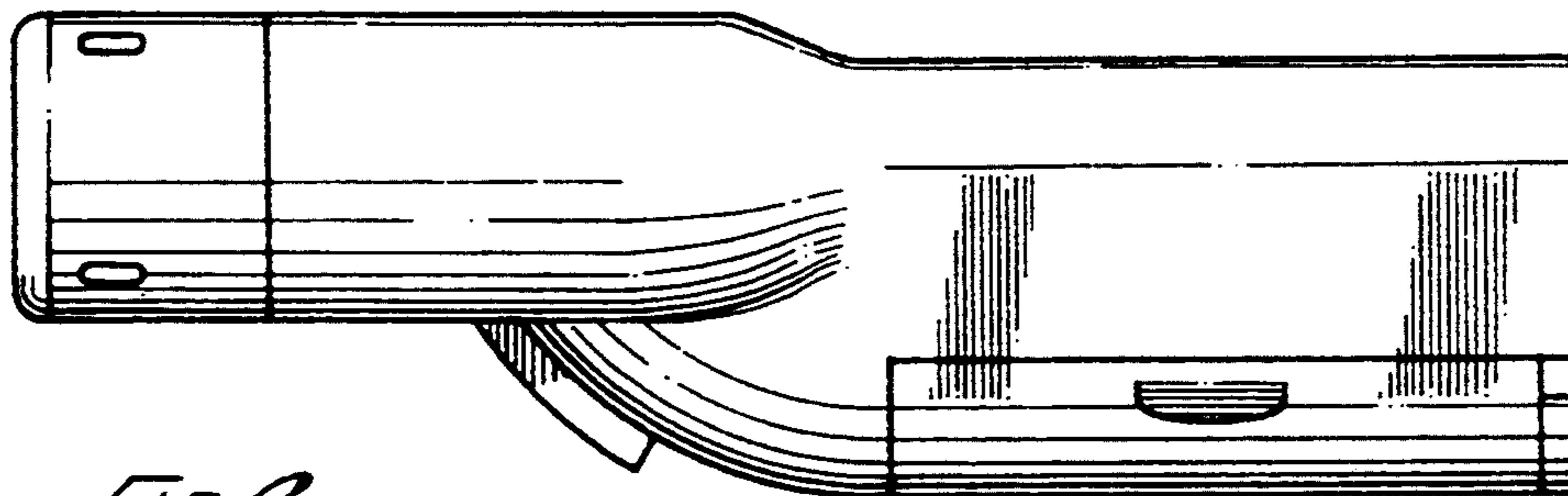


FIG. 2.

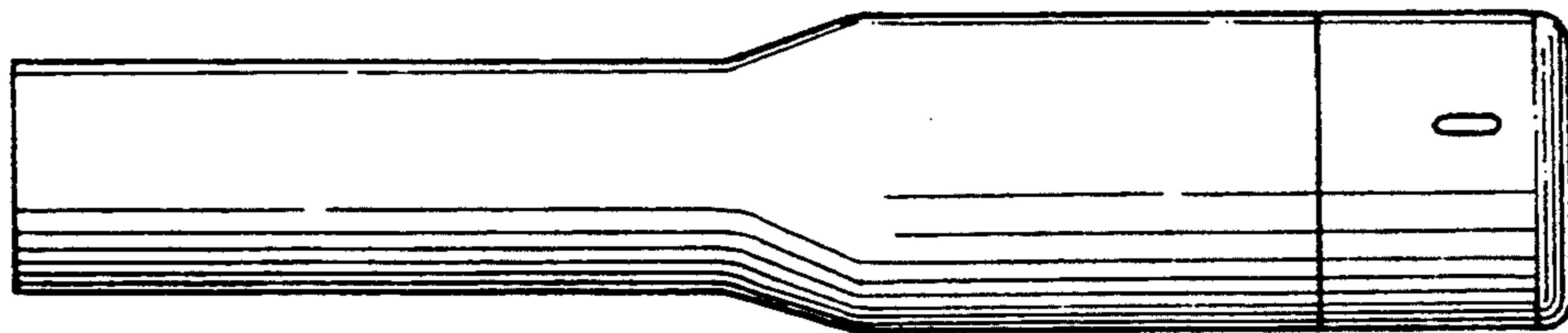


FIG. 3.

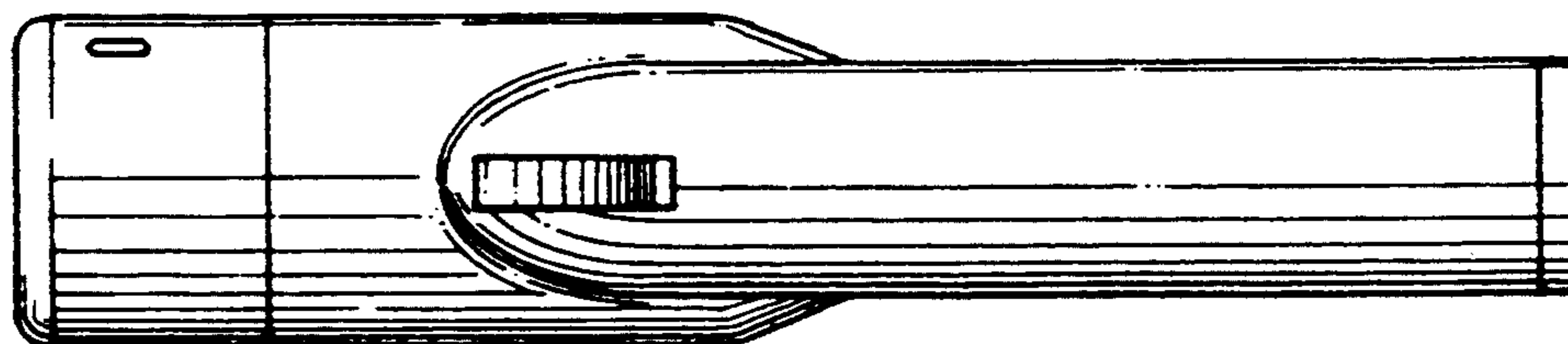


FIG. 4.

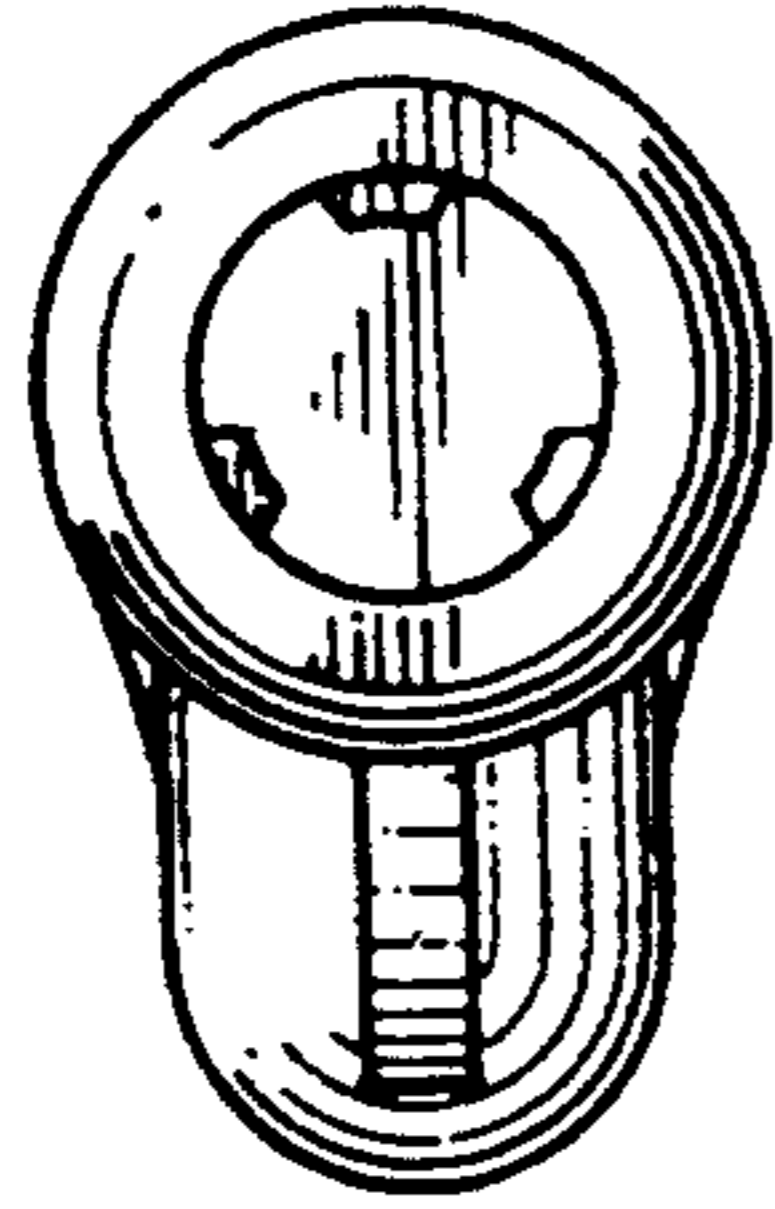


FIG. 5-

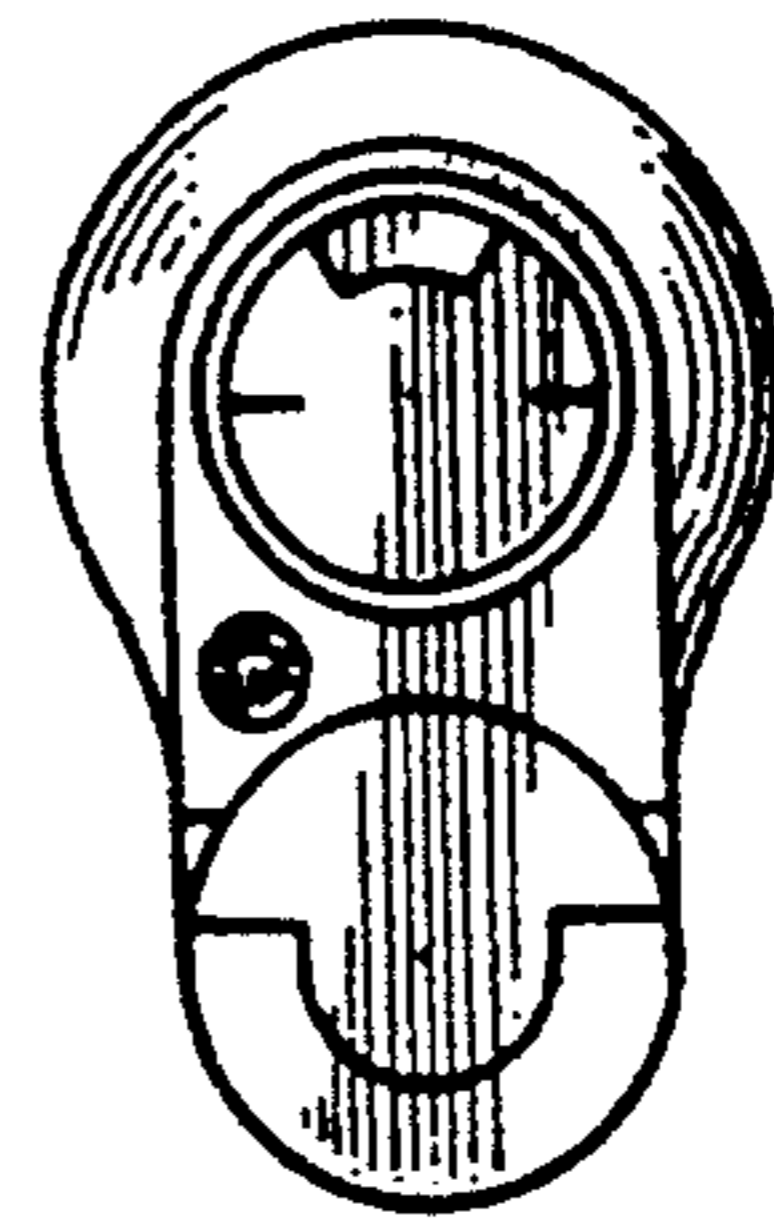


FIG. 6-

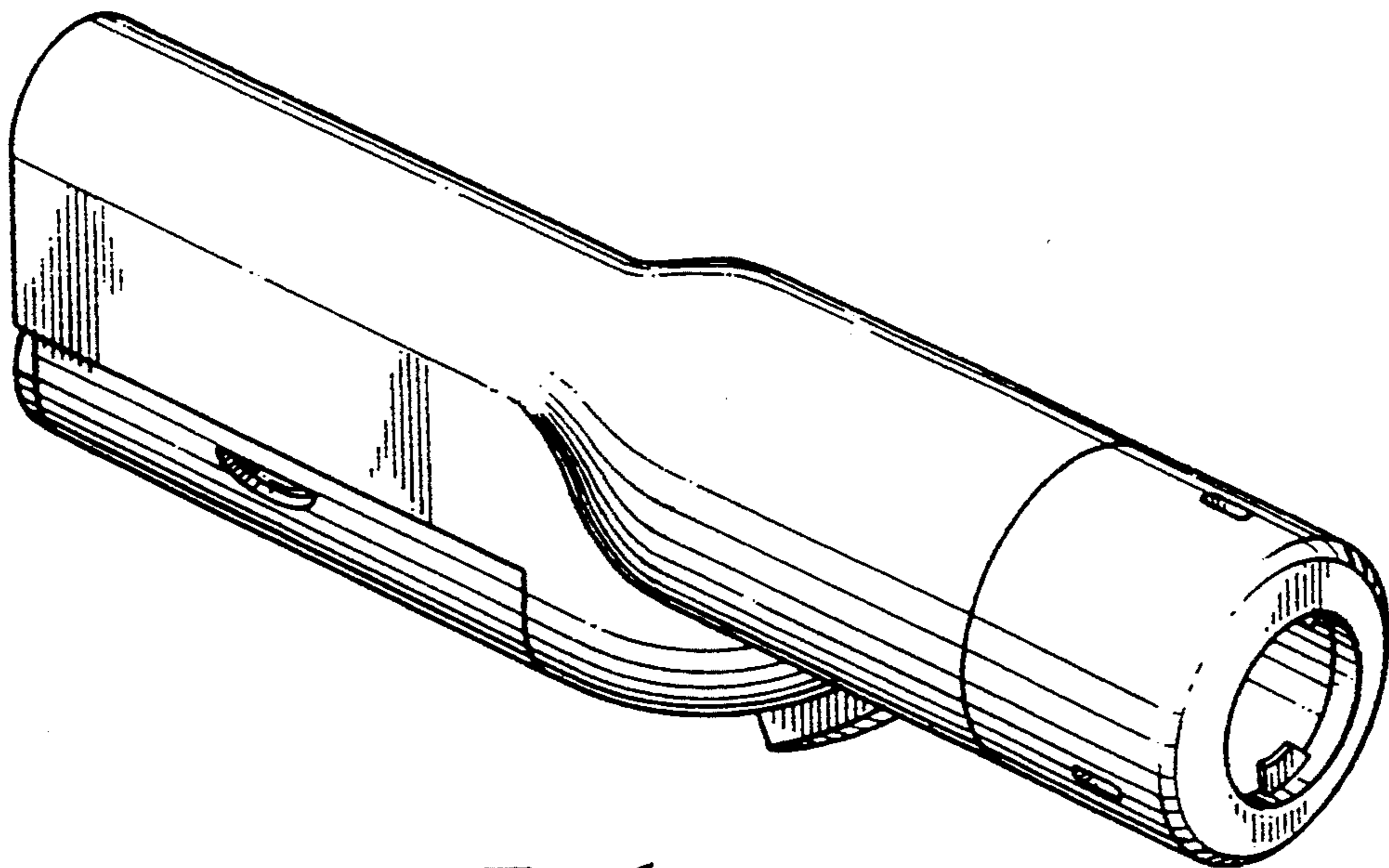


FIG. 1-