



US00D349954S

# United States Patent [19]

[11] Patent Number: **Des. 349,954**

Steiner et al.

[45] Date of Patent: **\*\* Aug. 23, 1994**

## [54] COMBINED PORTABLE FAN AND SPRAY BOTTLE

[75] Inventors: **Gregory A. Steiner, Lisle; Terry Arnieri, Addison, both of Ill.**

[73] Assignee: **Innovative Design Enterprises, Addison, Ill.**

[\*\*] Term: **14 Years**

[21] Appl. No.: **14,268**

[22] Filed: **Oct. 18, 1993**

[52] U.S. Cl. .... **D23/328; D9/300; D9/337; D23/332; D23/379; 239/289**

[58] Field of Search ..... **222/192; 416/95, 146 R; D9/448, 300, 553, 337; 392/365-369; 239/340, 329, 333, 290, 77, 8, 289; D23/370, 328, 332, 379, 335, 411, 226, 228, 413**

### [56] References Cited

#### U.S. PATENT DOCUMENTS

D. 314,507	2/1991	Brabeck et al. ....	D9/300
D. 333,609	3/1993	Beaumont .....	D9/448
2,079,117	5/1937	Hays .....	416/146 R
4,993,639	2/1991	Hata .....	239/289

### OTHER PUBLICATIONS

Hong Kong Enterprise Jun. 1992, p. 223, Fan (A), top left side of page.

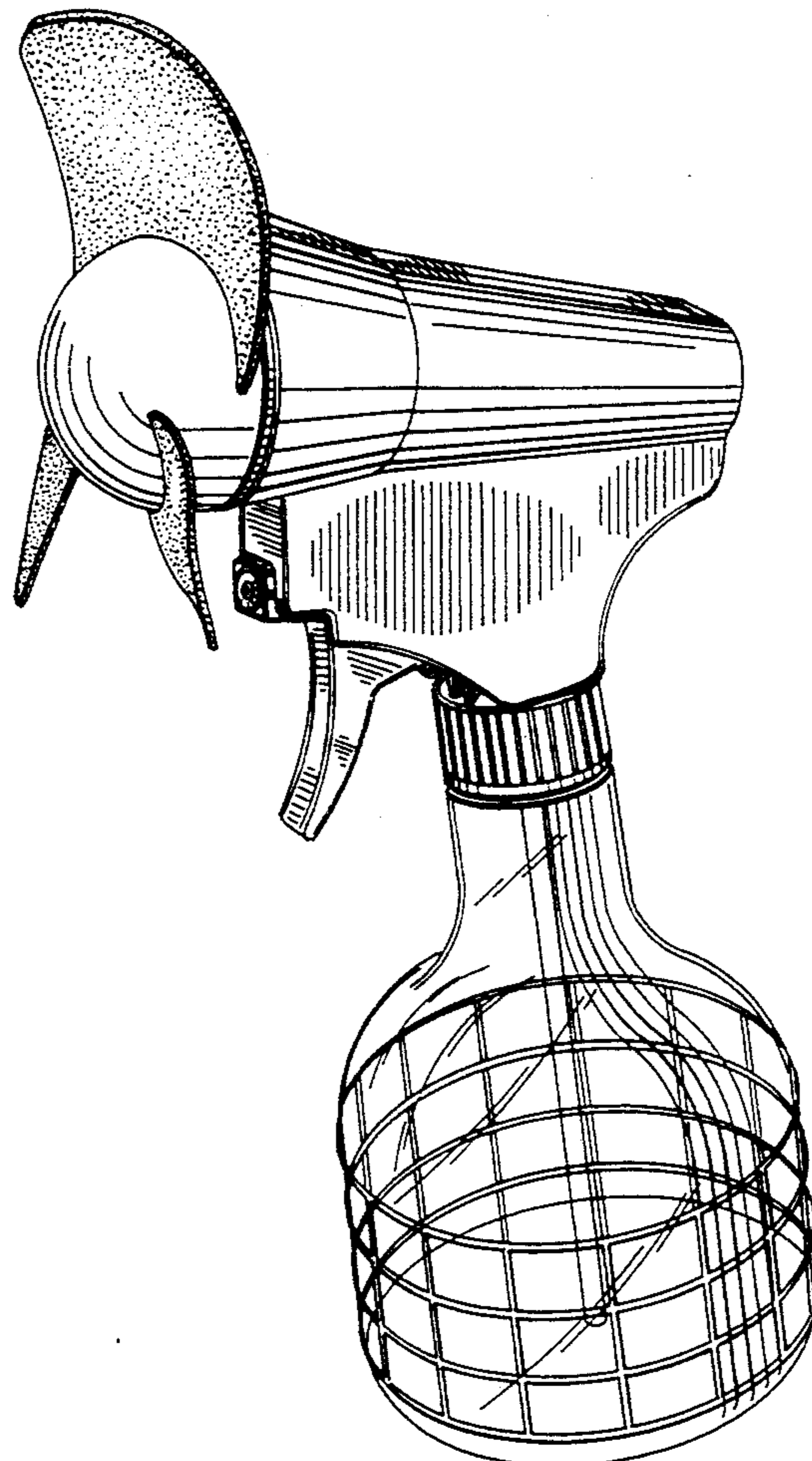
Primary Examiner—Lisa Lichtenstein  
Attorney, Agent, or Firm—Basil E. Demeur; Alan B. Samlan

### [57] CLAIM

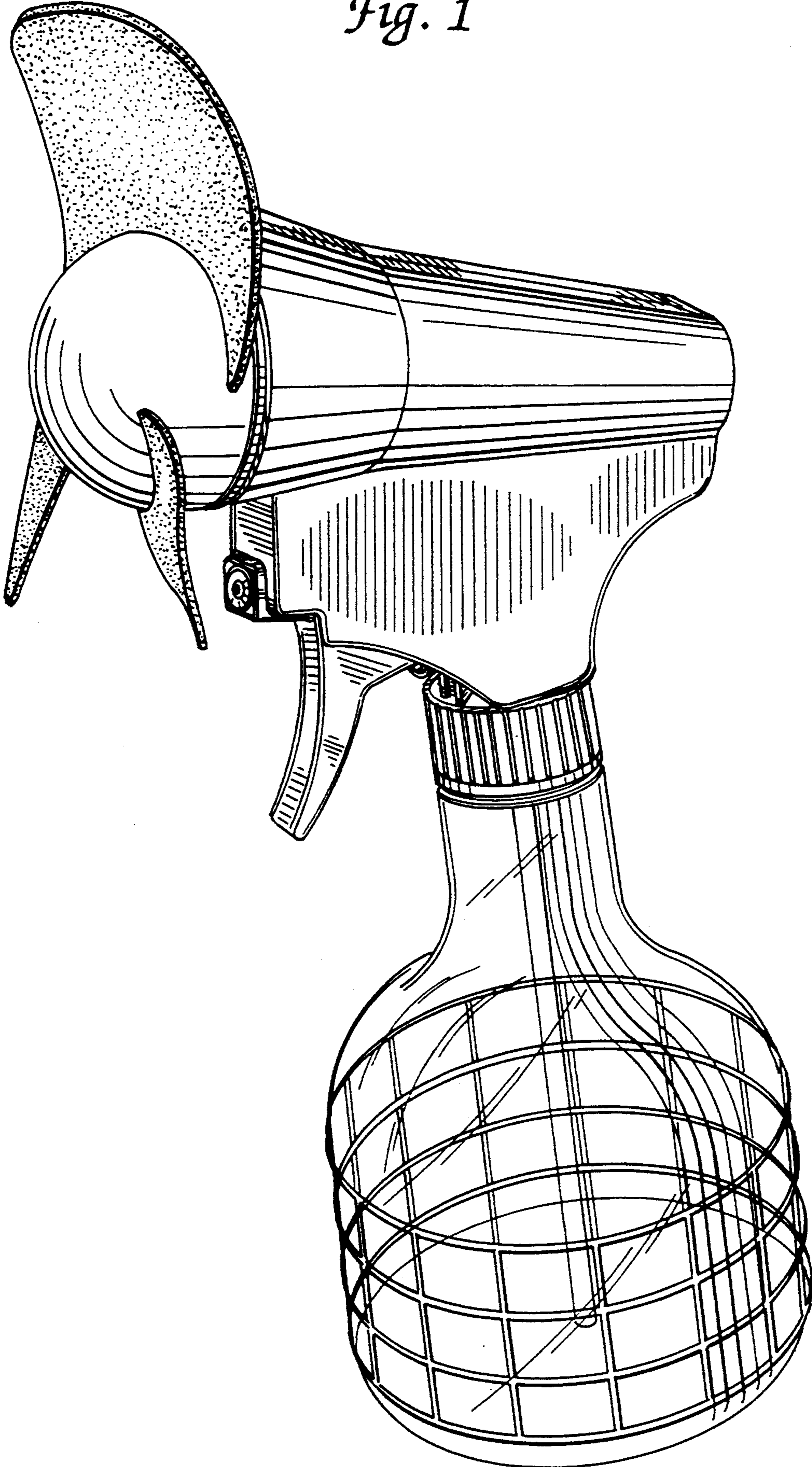
The ornamental design for a combined portable fan and spray bottle, as shown and described.

### DESCRIPTION

FIG. 1 is a front perspective view of the combined portable fan and spray bottle;  
 FIG. 2 is a front elevational view of the combined portable fan and spray bottle of the present invention;  
 FIG. 3 is a side elevational view of the portable misting fan of the present invention, the opposite side being a mirror of that shown;  
 FIG. 4 is a rear elevational view of the combined portable fan and spray bottle of the present invention;  
 FIG. 5 is a top view of the combined portable fan and spray bottle of the present invention; and,  
 FIG. 6 is a bottom view of the combined portable fan and spray bottle of the present invention.

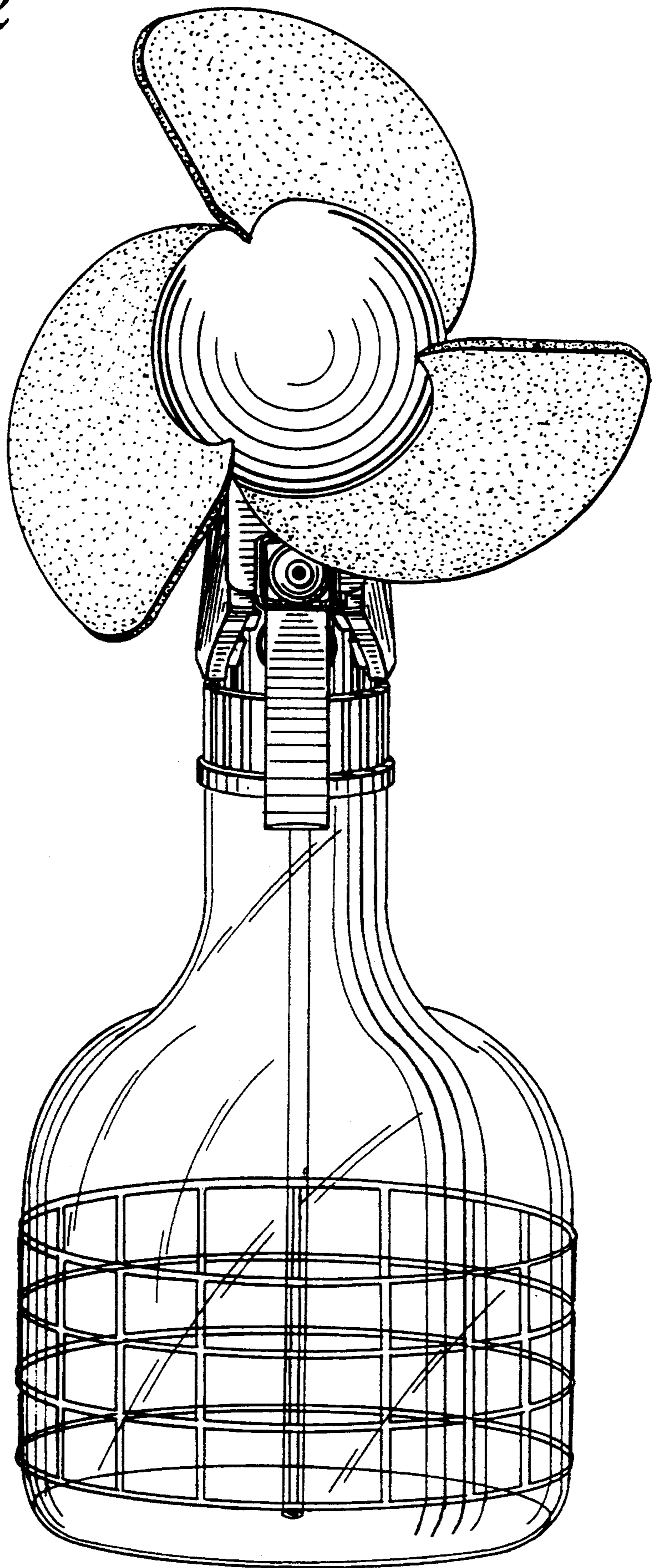


*Fig. 1*

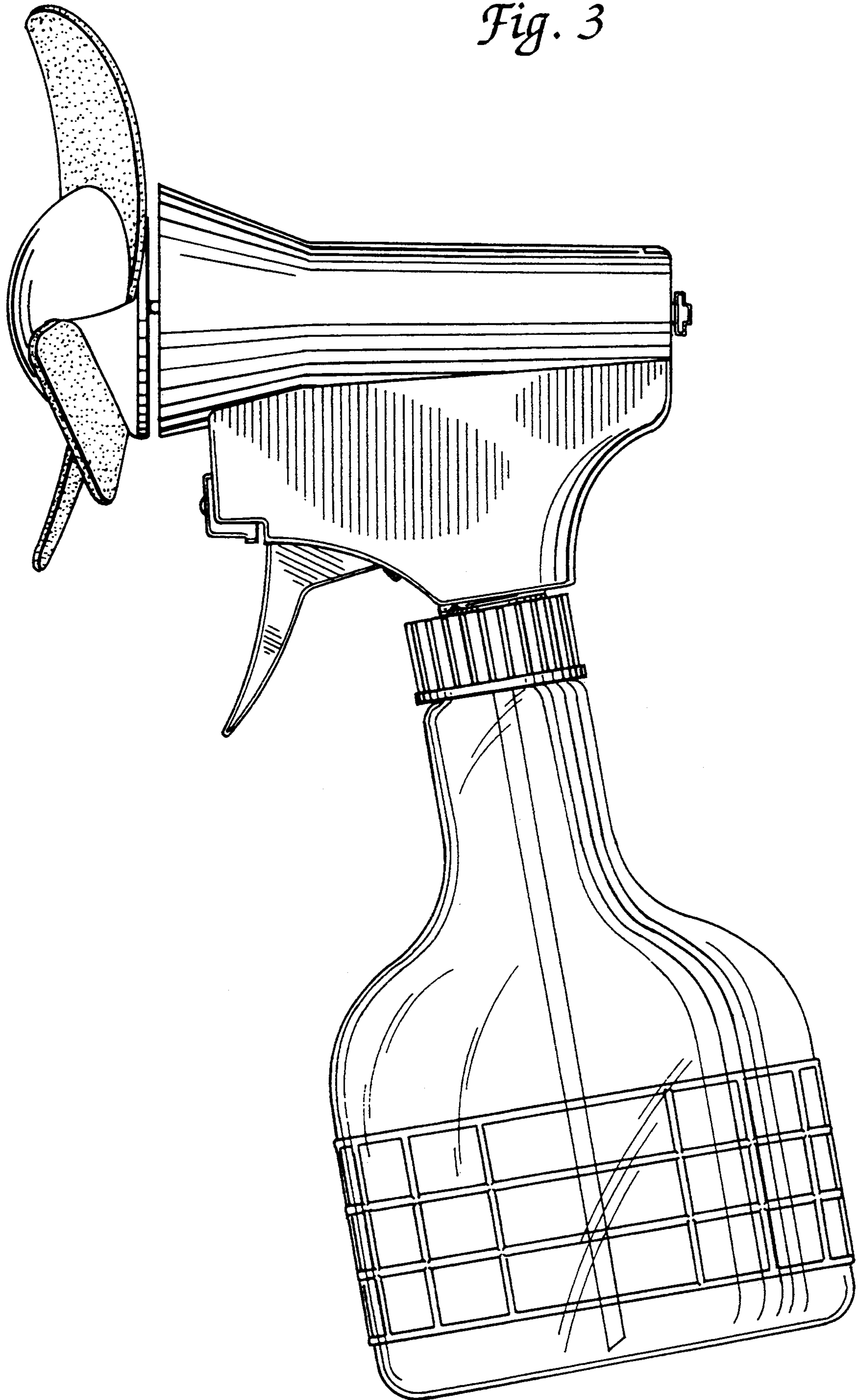




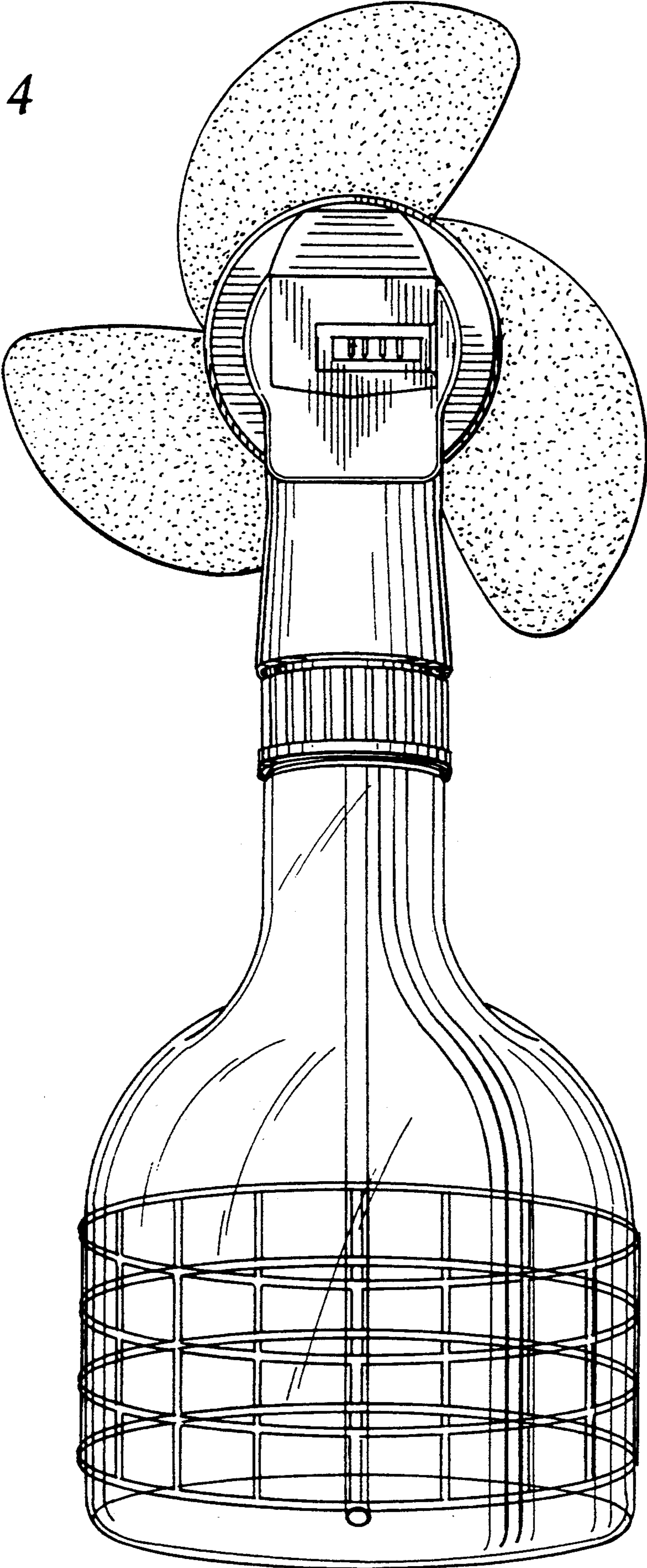
*Fig. 2*



*Fig. 3*

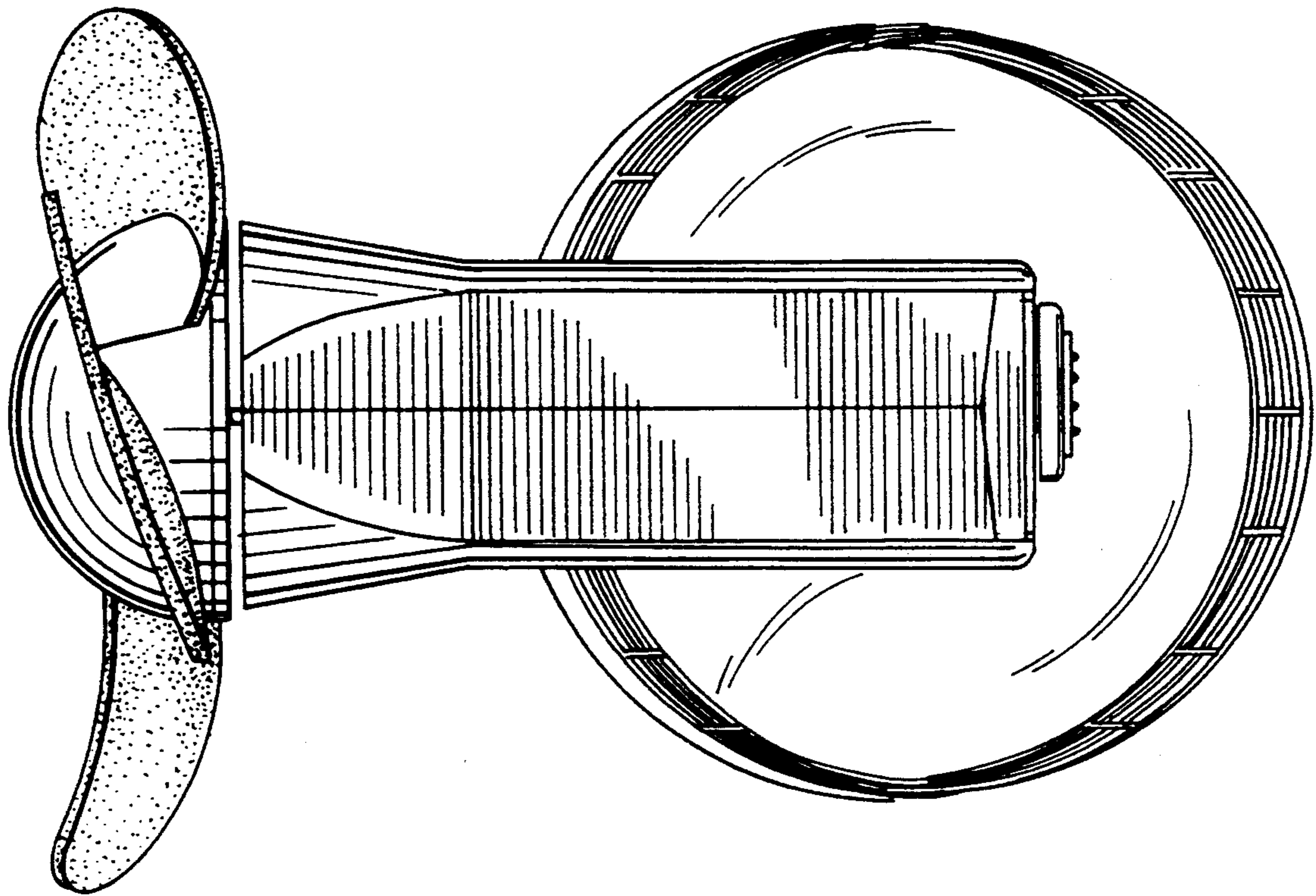


*Fig. 4*





*Fig. 5*



*Fig. 6*

