



US00D349952S

United States Patent [19]

[11] Patent Number: **Des. 349,952**

Evans et al.

[45] Date of Patent: **** Aug. 23, 1994**

[54] **SANITARY TOILET LIFT**

2,155,548	4/1939	Hompesch	4/246.3
2,410,854	11/1946	Zulkoski	4/246.5
3,504,385	4/1970	Fields	4/246.5
5,237,708	8/1993	Zamoyski	4/246.1 X

[76] Inventors: **Thomas L. Evans**, 2510 Birchfield Rd., Yakima, Wash. 98901; **Michael S. Allen**, 315 White St., Union Gap, Wash. 98903

Primary Examiner—Stella Reid
Assistant Examiner—Eric Watterson
Attorney, Agent, or Firm—Hugh E. Smith

[**] Term: **14 Years**

[57] **CLAIM**

[21] Appl. No.: **3,237**

The ornamental design for a sanitary toilet lift, as shown and described.

[22] Filed: **Dec. 31, 1992**

[52] U.S. Cl. **D23/309**

DESCRIPTION

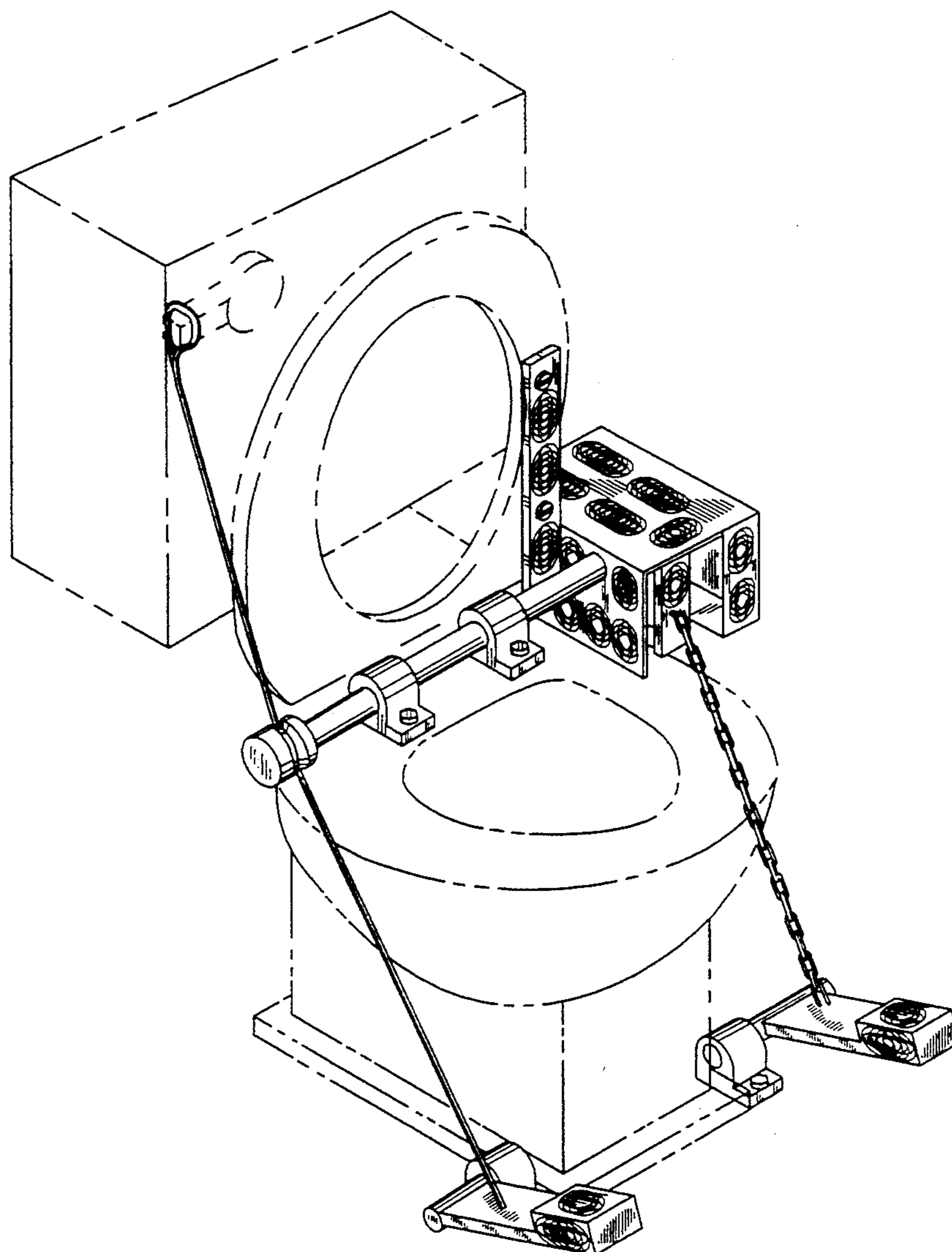
[58] **Field of Search** 4/234, 235, 236, 237, 4/238, 240, 246.1, 246.3, 246.5, 250, 253; D23/303-311

FIG. 1 is a front elevational view of a sanitary toilet lift showing my new design;
FIG. 2 is a rear elevational view thereof;
FIG. 3 is a left side elevational view thereof;
FIG. 4 is a right side elevational view thereof;
FIG. 5 is a top plan view thereof;
FIG. 6 is a bottom plan view thereof; and,
FIG. 7 is an isometric view showing a use thereof.

[56] **References Cited**

U.S. PATENT DOCUMENTS

D. 332,304 1/1993 Lefebvre et al. D23/311
1,308,596 7/1919 Klein 4/246.1



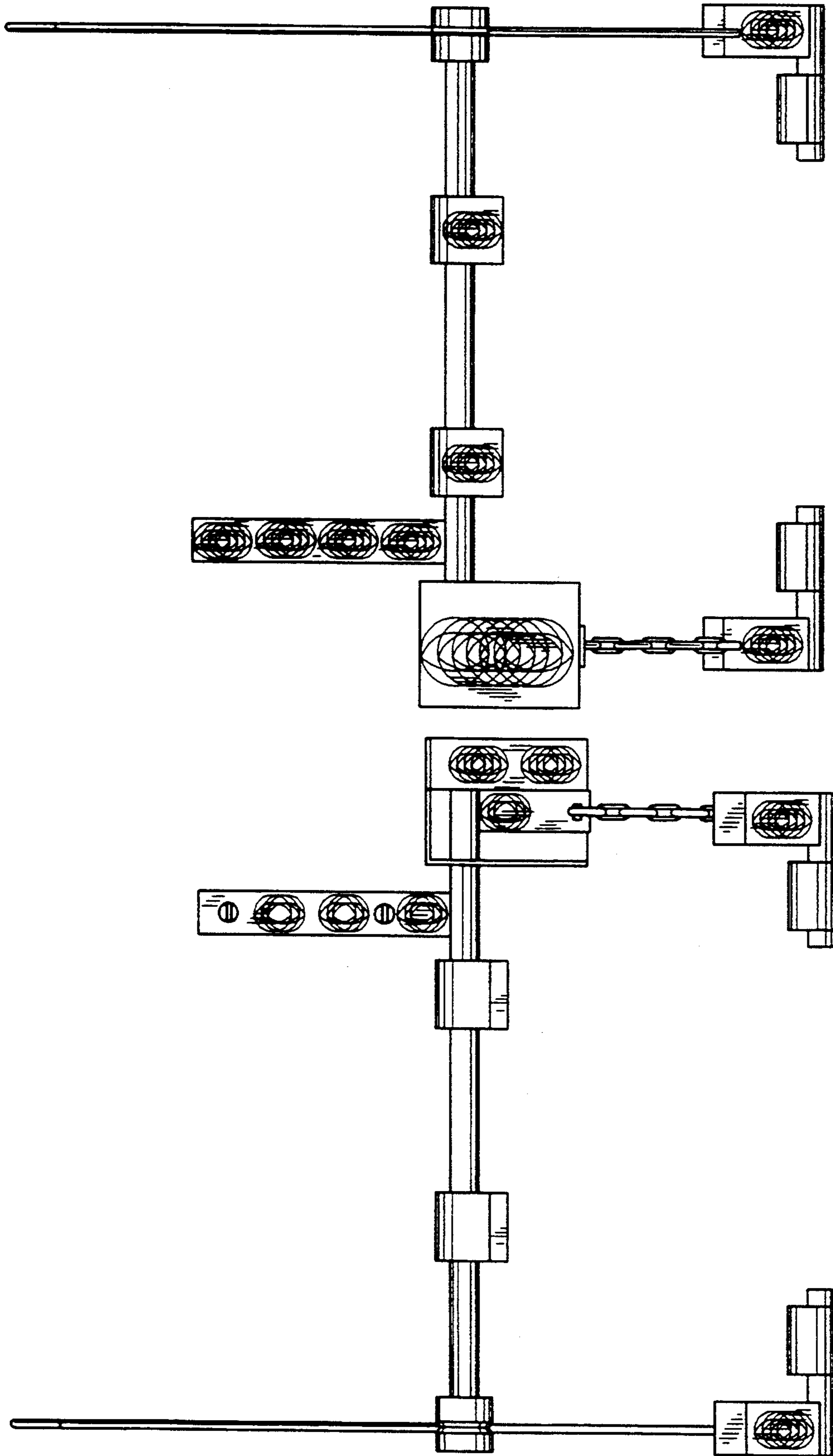


FIG. 1

FIG. 2

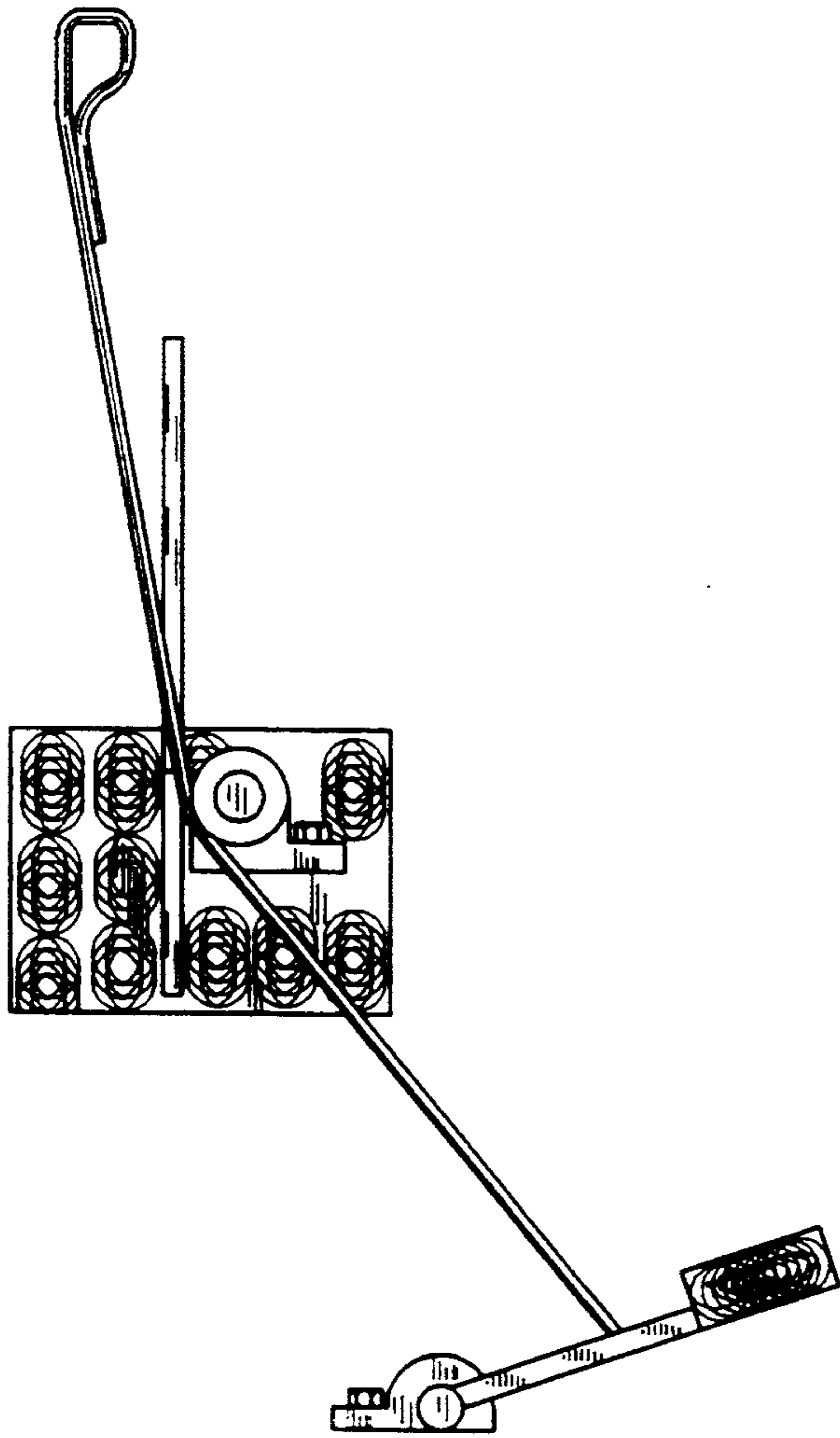


FIG. 3

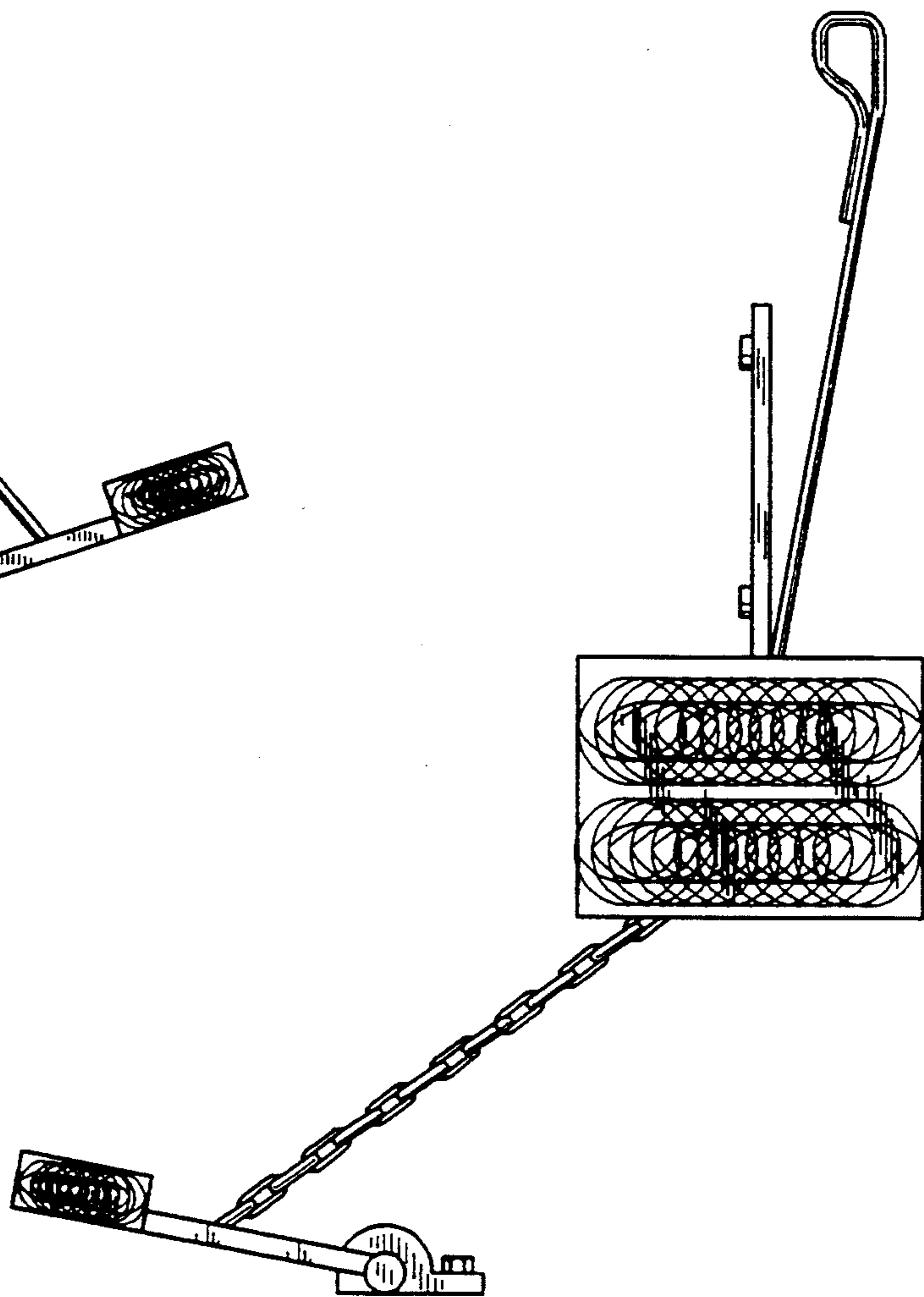


FIG. 4

FIG. 5

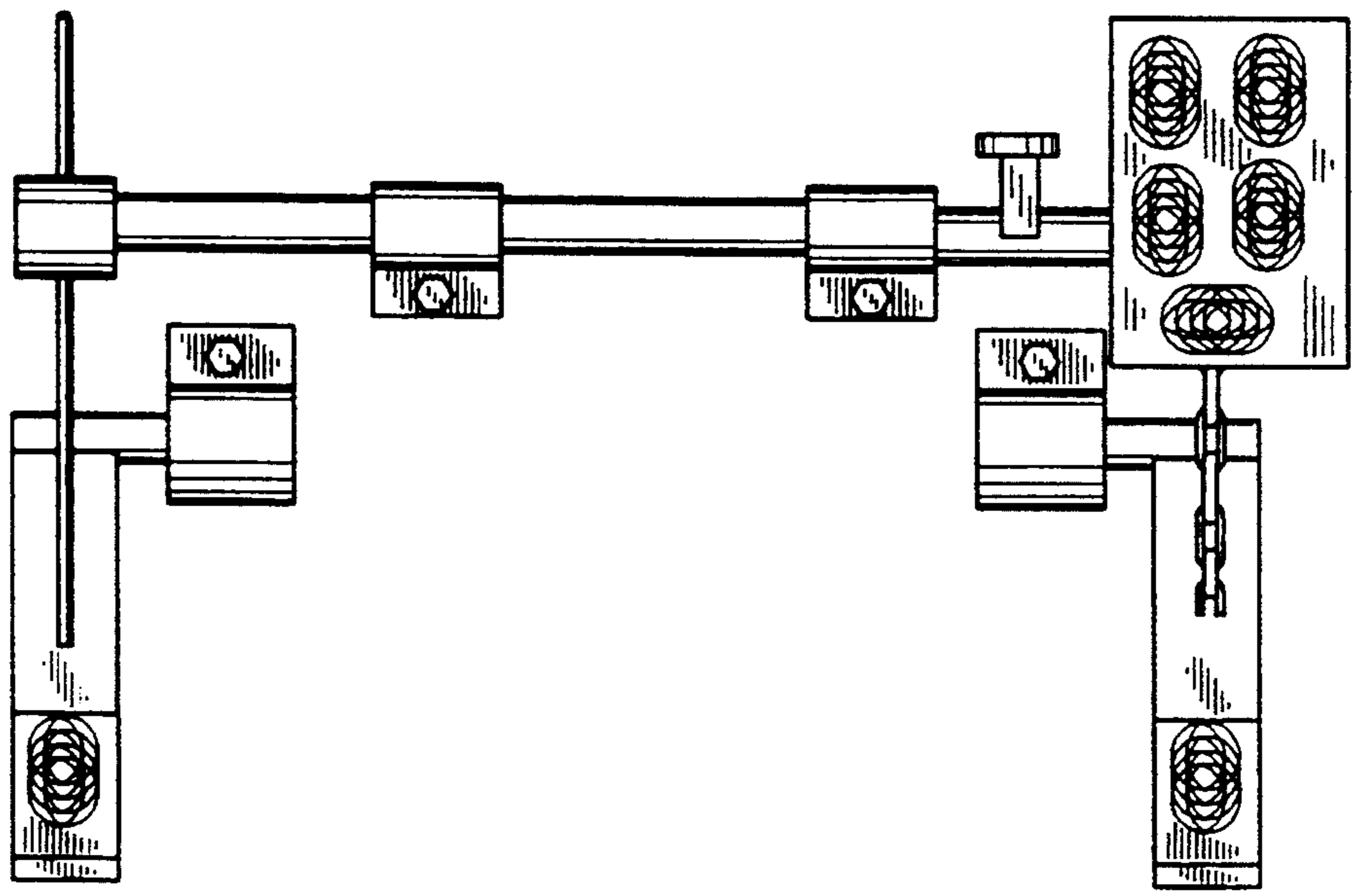


FIG. 6

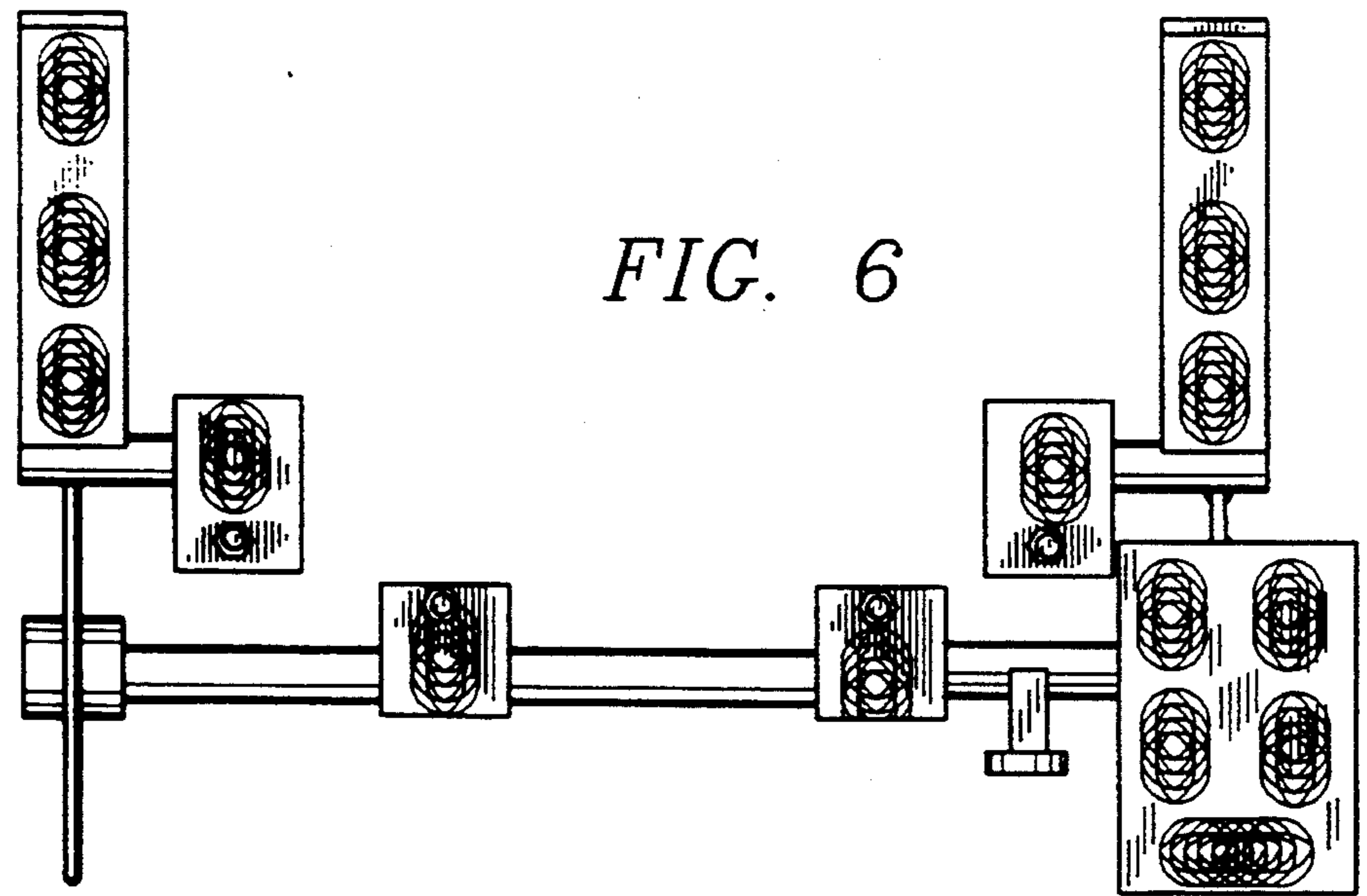


FIG. 7

