



US00D349948S

# United States Patent [19]

[11] Patent Number: **Des. 349,948**

**Bollenbacher et al.**

[45] Date of Patent: **\*\* Aug. 23, 1994**

[54] FAUCET

[75] Inventors: **John E. Bollenbacher**, Sheboygan;  
**Herbert V. Kohler, Jr.**, Kohler, both  
of Wis.

[73] Assignee: **Kohler Co.**, Kohler, Wis.

[\*\*] Term: **14 Years**

[21] Appl. No.: **3,686**

[22] Filed: **Jan. 14, 1993**

[52] U.S. Cl. .... **D23/241**

[58] Field of Search ..... **4/675-678;**  
**137/801; D8/300, 307-312; 16/110 R, 118, 121;**  
**D23/238-243, 250-257**

[56] **References Cited**

### U.S. PATENT DOCUMENTS

D. 87,328	7/1932	Brotz	.....	D23/243
D. 149,344	4/1948	Fitter	.....	D23/240
D. 163,545	6/1951	Smolensky	.....	D23/240
D. 235,099	5/1975	Doman	.....	D23/257
D. 263,991	4/1982	Fleischmann	.....	D23/257
D. 287,395	12/1986	Piesco	.....	D23/255
D. 289,543	4/1987	Davis	.....	D23/252
D. 293,362	12/1987	Hill et al.	.....	D23/241
D. 293,601	1/1988	Hill et al.	.....	D23/255
D. 318,099	7/1991	Reid et al.	.....	D23/255
D. 318,901	8/1991	Rodstein	.....	
D. 324,724	3/1992	Lang et al.	.....	D23/252

### OTHER PUBLICATIONS

P. 19 of undated Bathroom Jewelry ad for various spouts (admitted prior art).

Undated Andre Collection ad for a Charleston Wide Spread lavatory set (admitted prior art).

Undated Harden ad for its 25 series of faucets (admitted prior art).

Pp. 2-62 of an undated Kohler ad showing a K-7412 lavatory faucet (admitted prior art).

Undated Serling Catalog page showing faucet C6C90 with handles (admitted prior art).

P. 9 of undated Bathroom Jewelry ad showing various handles (admitted prior art).

Undated Kallista ad showing Gold Sovereign basin set with handles (admitted prior art).

*Primary Examiner*—James R. Largen

*Attorney, Agent, or Firm*—Quarles & Brady

### [57] CLAIM

The ornamental design for a faucet, as shown and described.

### DESCRIPTION

FIG. 1 is a perspective view taken from the top, front and left side of a faucet embodying our new design;

FIG. 2 is a front elevational view thereof;

FIG. 3 is a right side elevational view thereof, the left side being a mirror image of the right side;

FIG. 4 is a top plan view thereof;

FIG. 5 is a bottom plan view thereof; and,

FIG. 6 is a rear elevational view thereof.

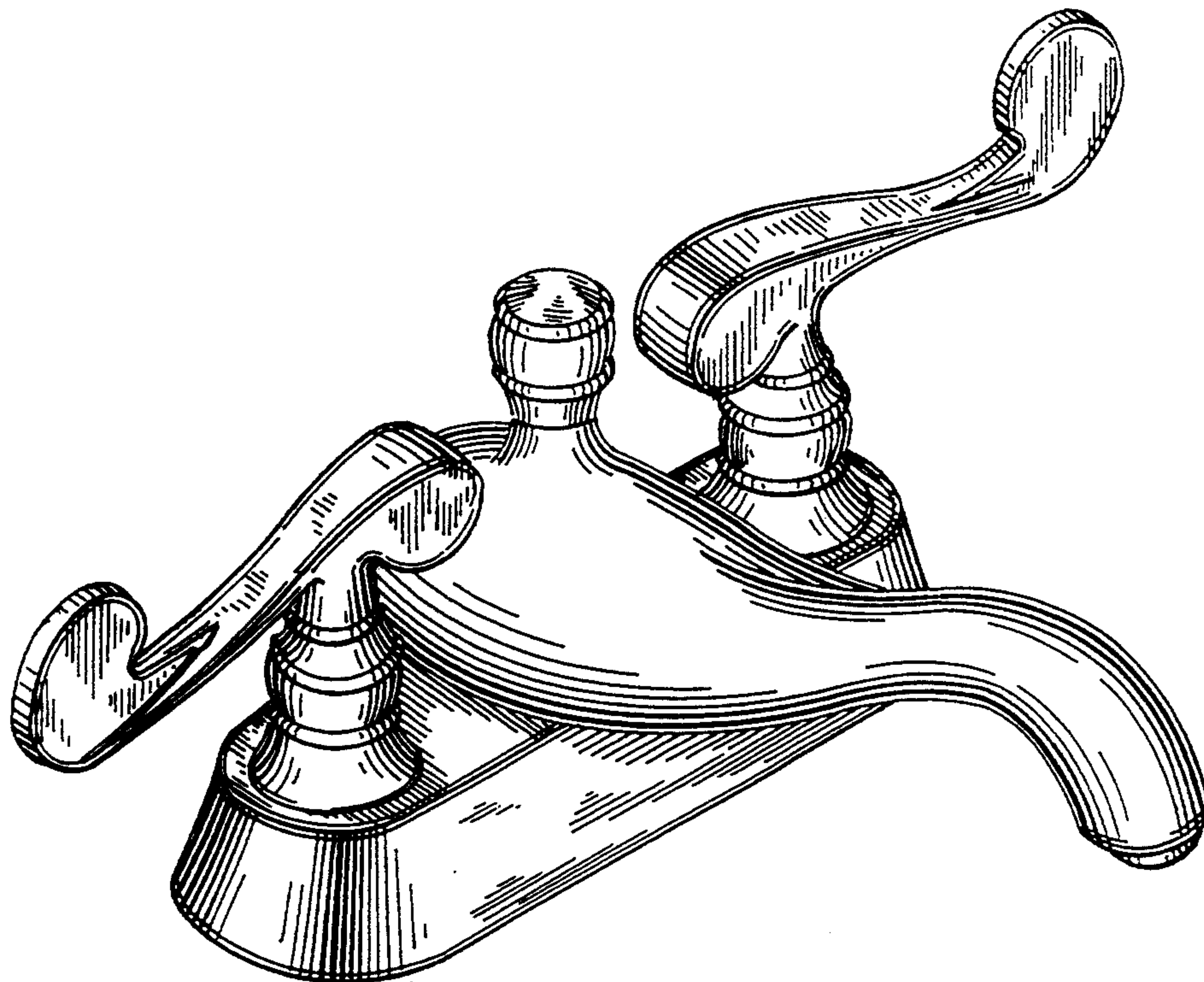


FIG. 1

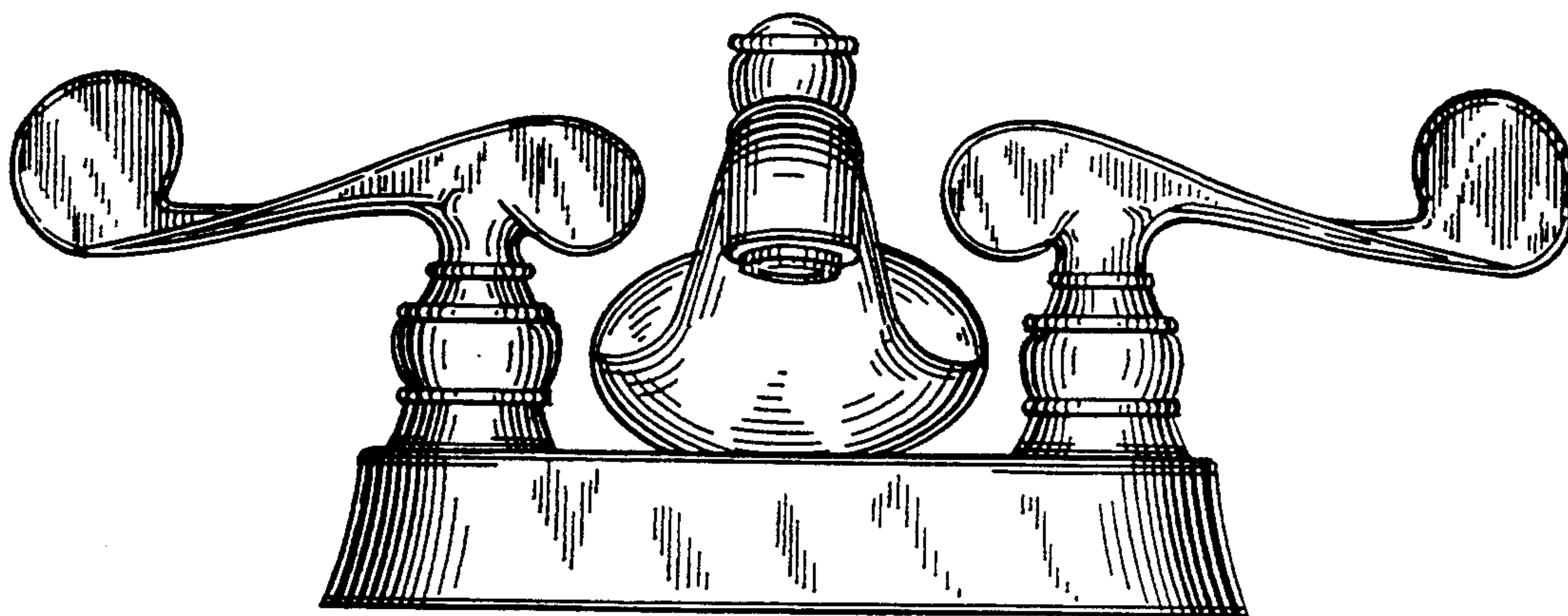
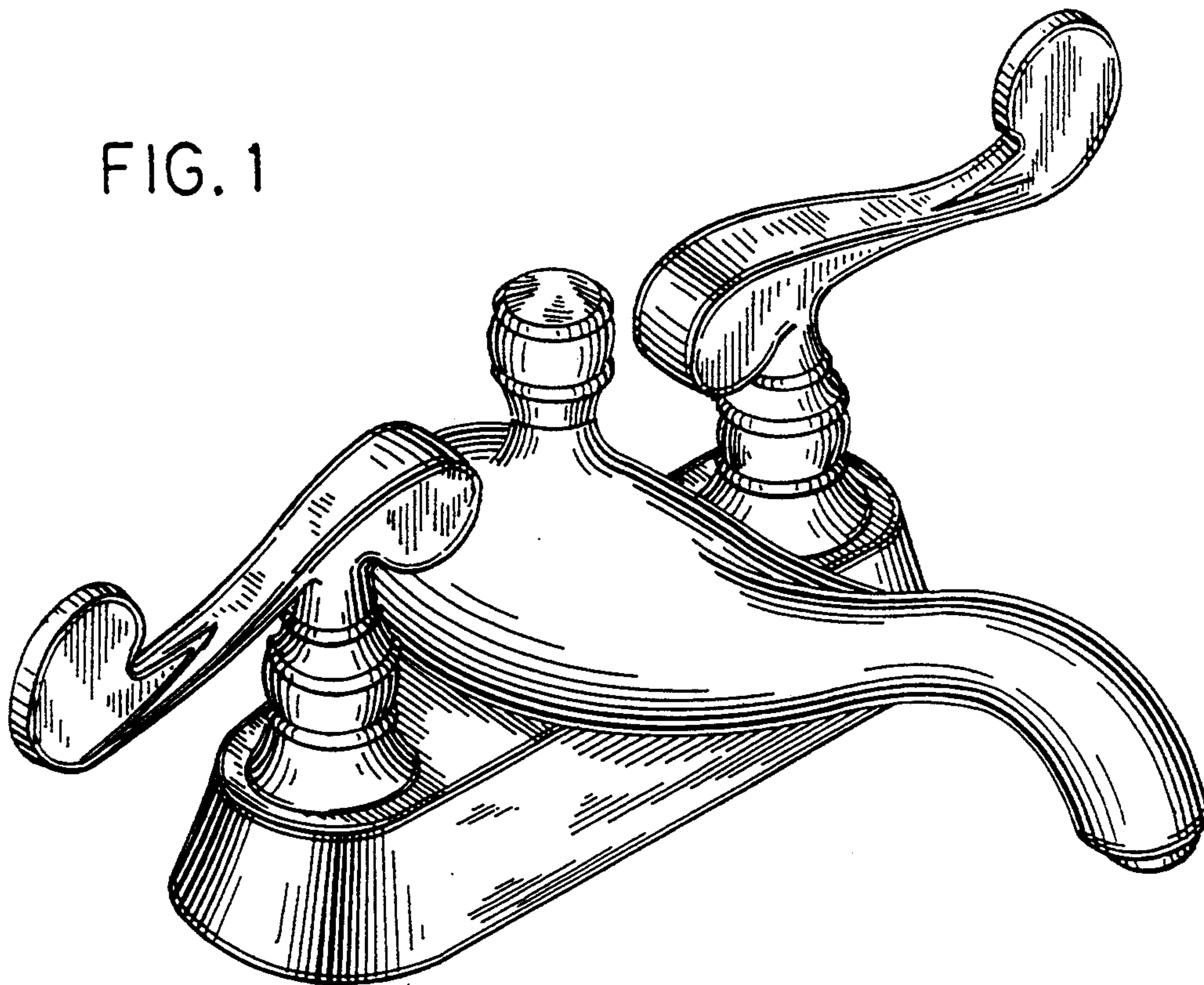


FIG. 2



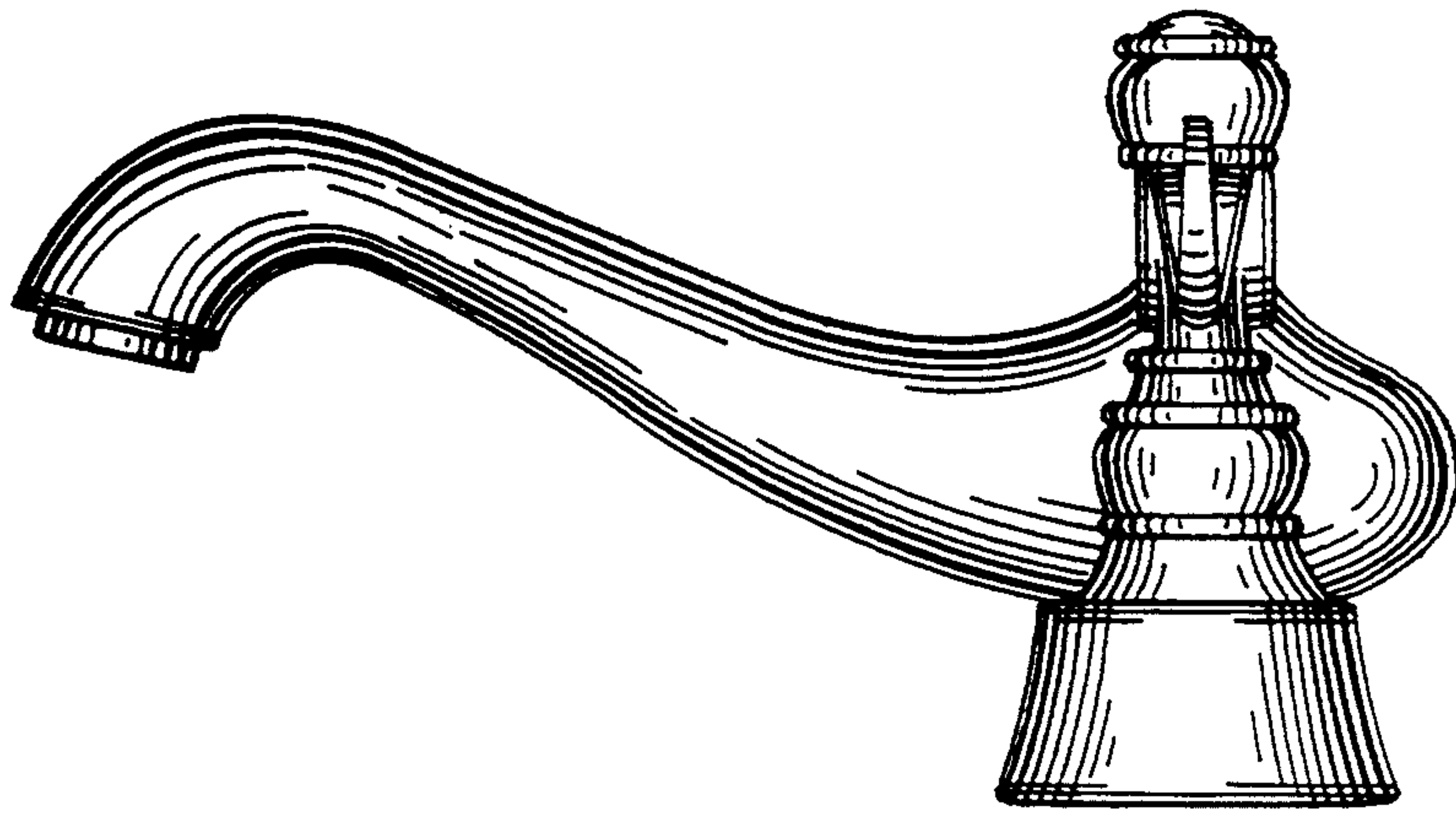


FIG. 3

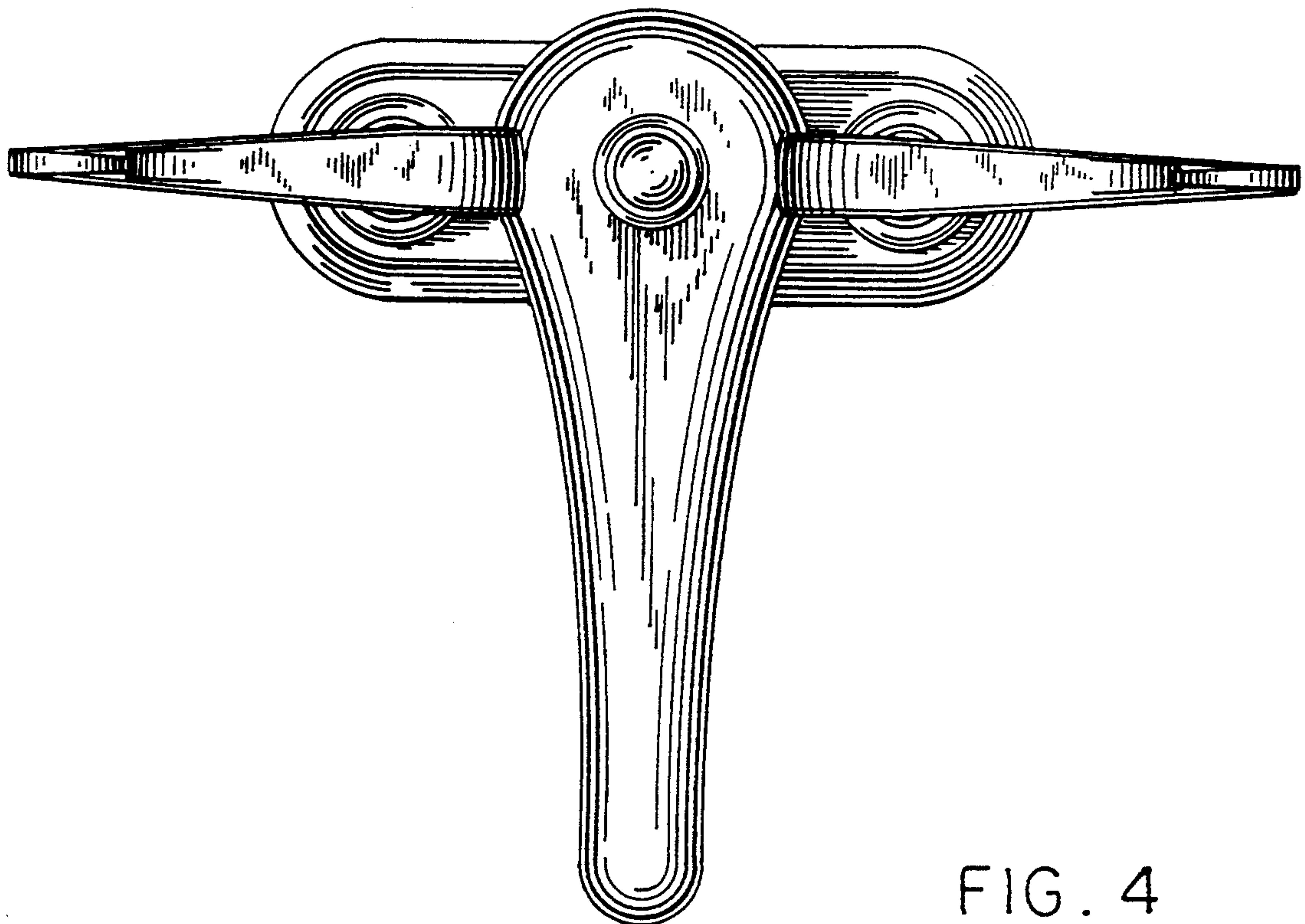


FIG. 4

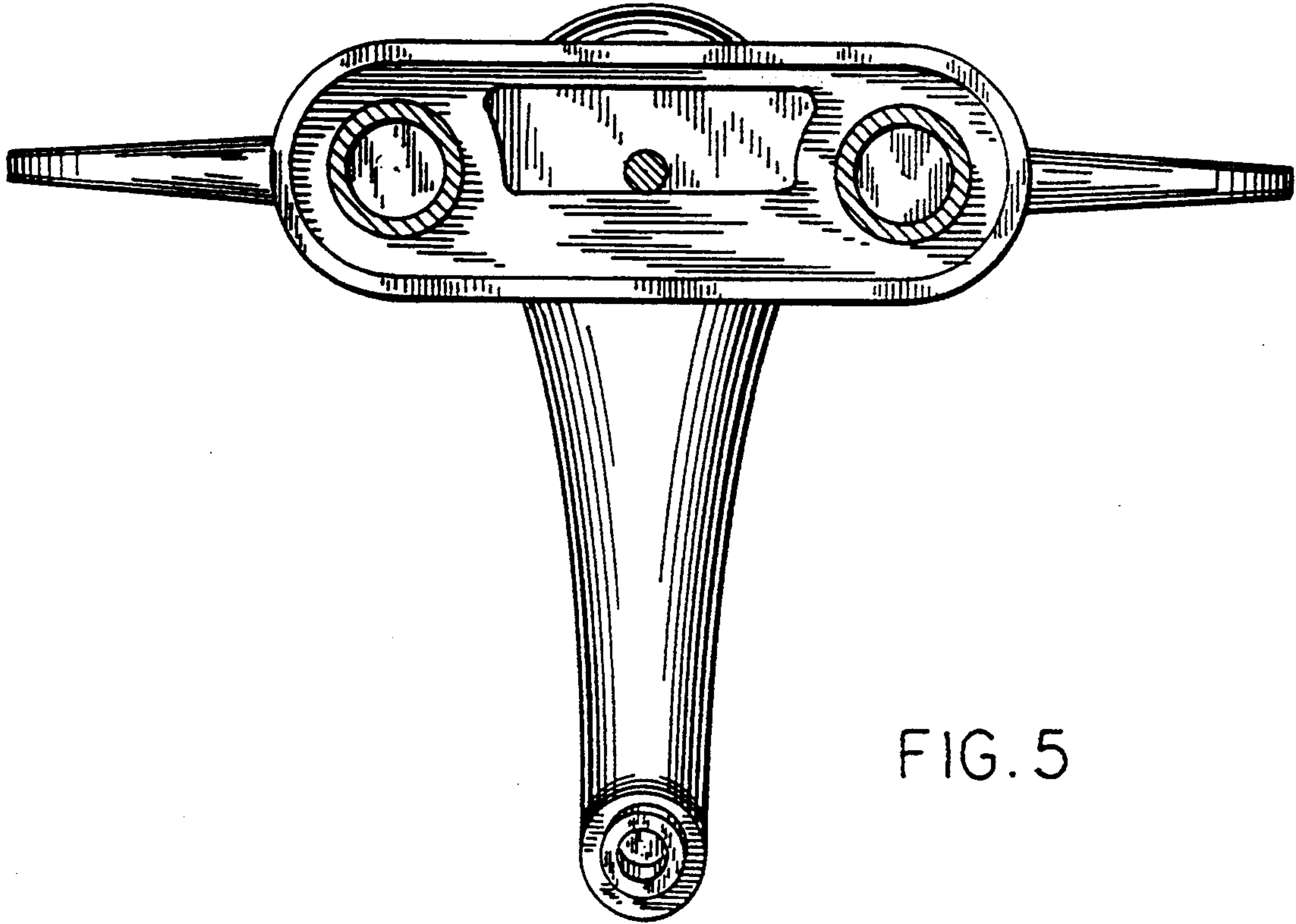


FIG. 5

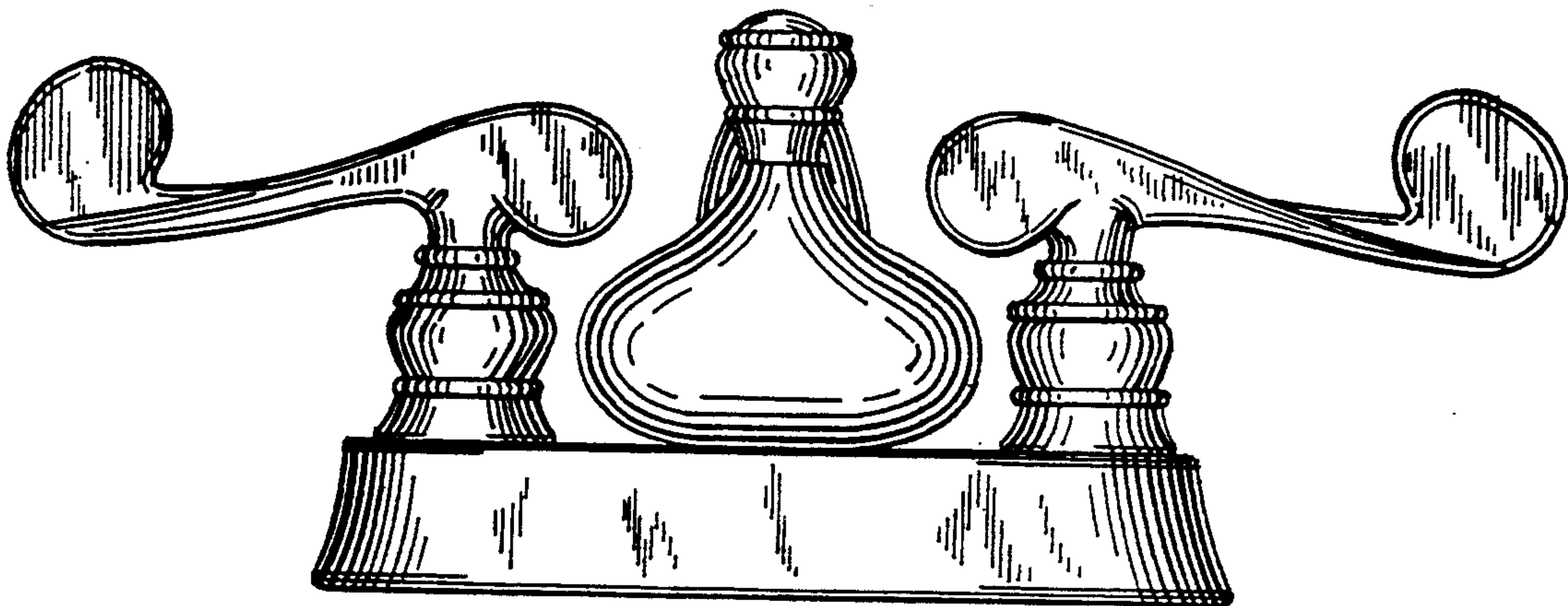


FIG. 6