



US00D349945S

United States Patent [19]

[11] Patent Number: **Des. 349,945**

Cummings

[45] Date of Patent: **** Aug. 23, 1994**

[54] **SHOWER BASE**

[75] Inventor: **Kenneth E. Cummings**, Mississauga, Canada

[73] Assignee: **122235 Canada Limited**, Richmond Hill, Canada

[**] Term: **14 Years**

[21] Appl. No.: **2,443**

[22] Filed: **Dec. 10, 1992**

[30] **Foreign Application Priority Data**

Jun. 26, 1992 [CA] Canada 26-06-92-4

[52] U.S. Cl. **D23/283**

[58] Field of Search 52/34, 35, 264; 4/541.1-541.6, 590, 596, 597, 604, 605, 612, 611, 613, 614, 622; D23/275, 283, 305; D24/200, 201, 204, 205

[56] **References Cited**

U.S. PATENT DOCUMENTS

D. 96,507 8/1935 Reed, Jr. 4/579 X

D. 219,513	12/1973	Skyhawk	D23/283
D. 260,931	9/1981	Reineman	D24/204
D. 269,814	7/1983	Fishel et al.	D24/204
D. 299,164	12/1988	Burgess et al.	D23/283
D. 299,523	1/1989	Poulin	D23/283
D. 337,375	7/1993	Bengtson et al.	D23/283
D. 338,260	8/1993	Bengtson et al.	D23/283
4,974,269	12/1990	Baus	4/613

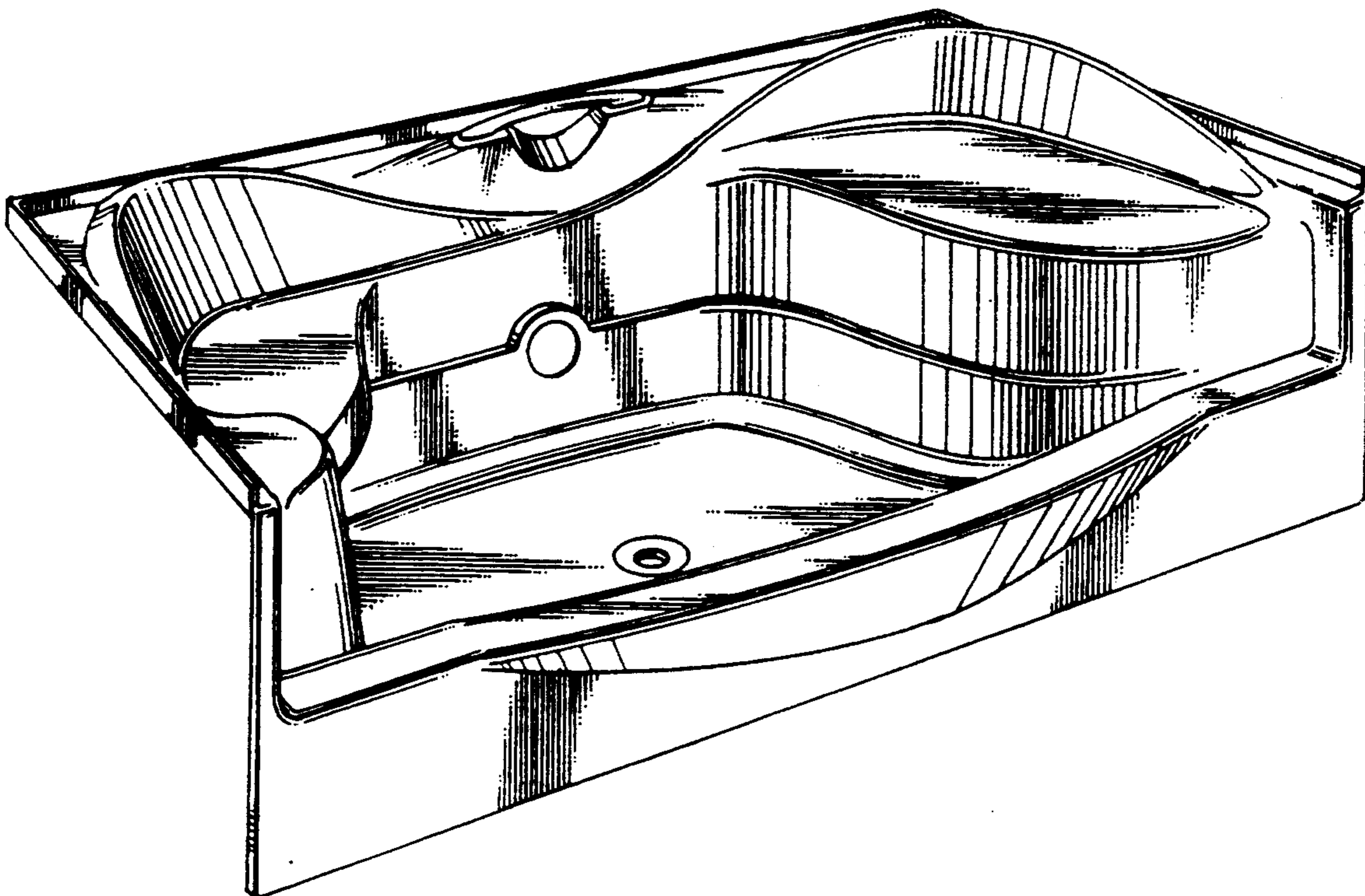
Primary Examiner—Stella Reid
Assistant Examiner—Eric Watterson
Attorney, Agent, or Firm—Trevor C. Klotz

[57] **CLAIM**

The ornamental design for a shower base, as shown.

DESCRIPTION

FIG. 1 is a perspective view taken from the front and left side of a shower base showing my design; FIG. 2 is a top plan view; FIG. 3 is a bottom plan view; FIG. 4 is a front elevation; FIG. 5 is a rear elevation; FIG. 6 is a left side elevation; and, FIG. 7 is a right side elevation.



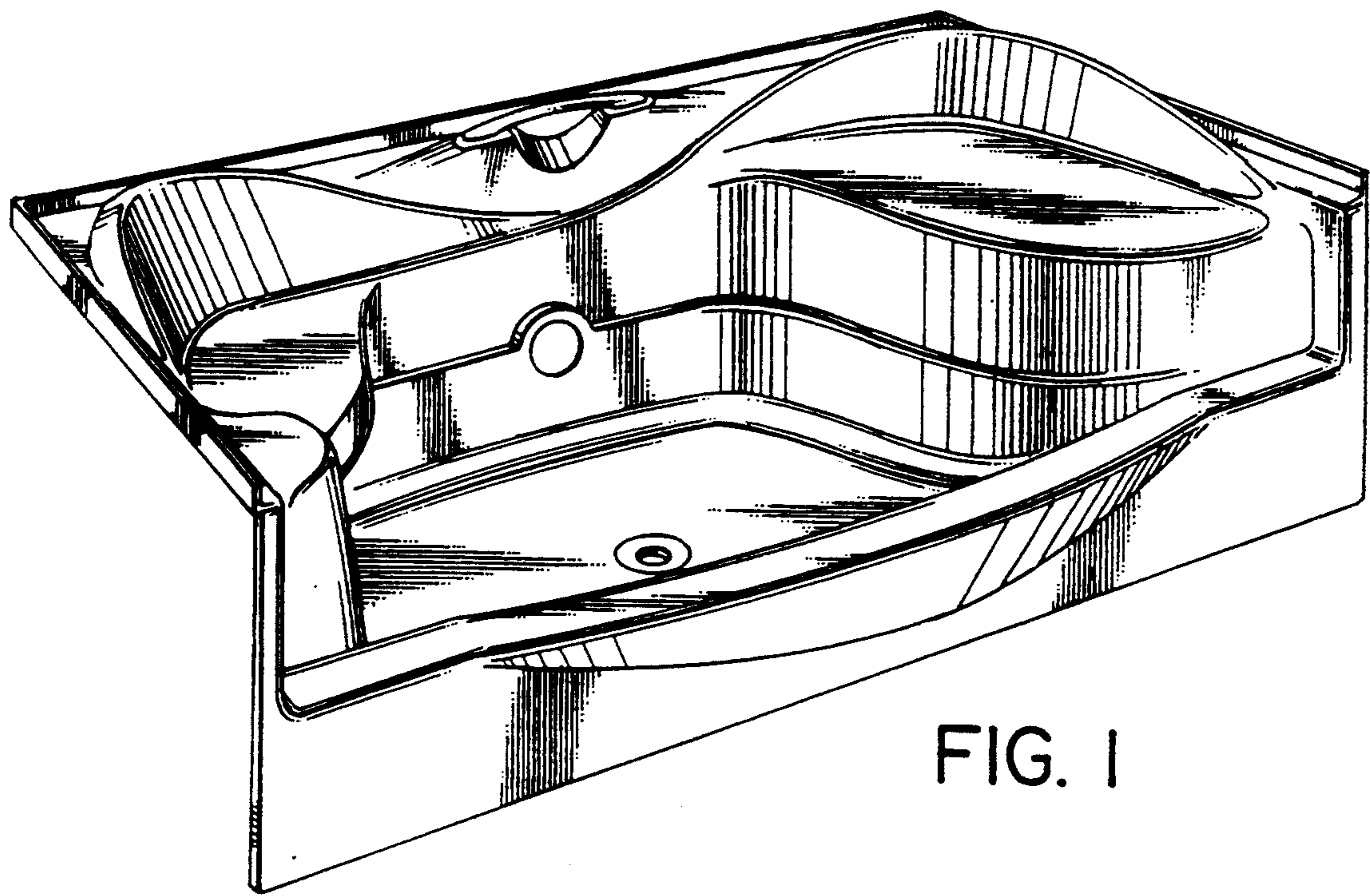


FIG. 1

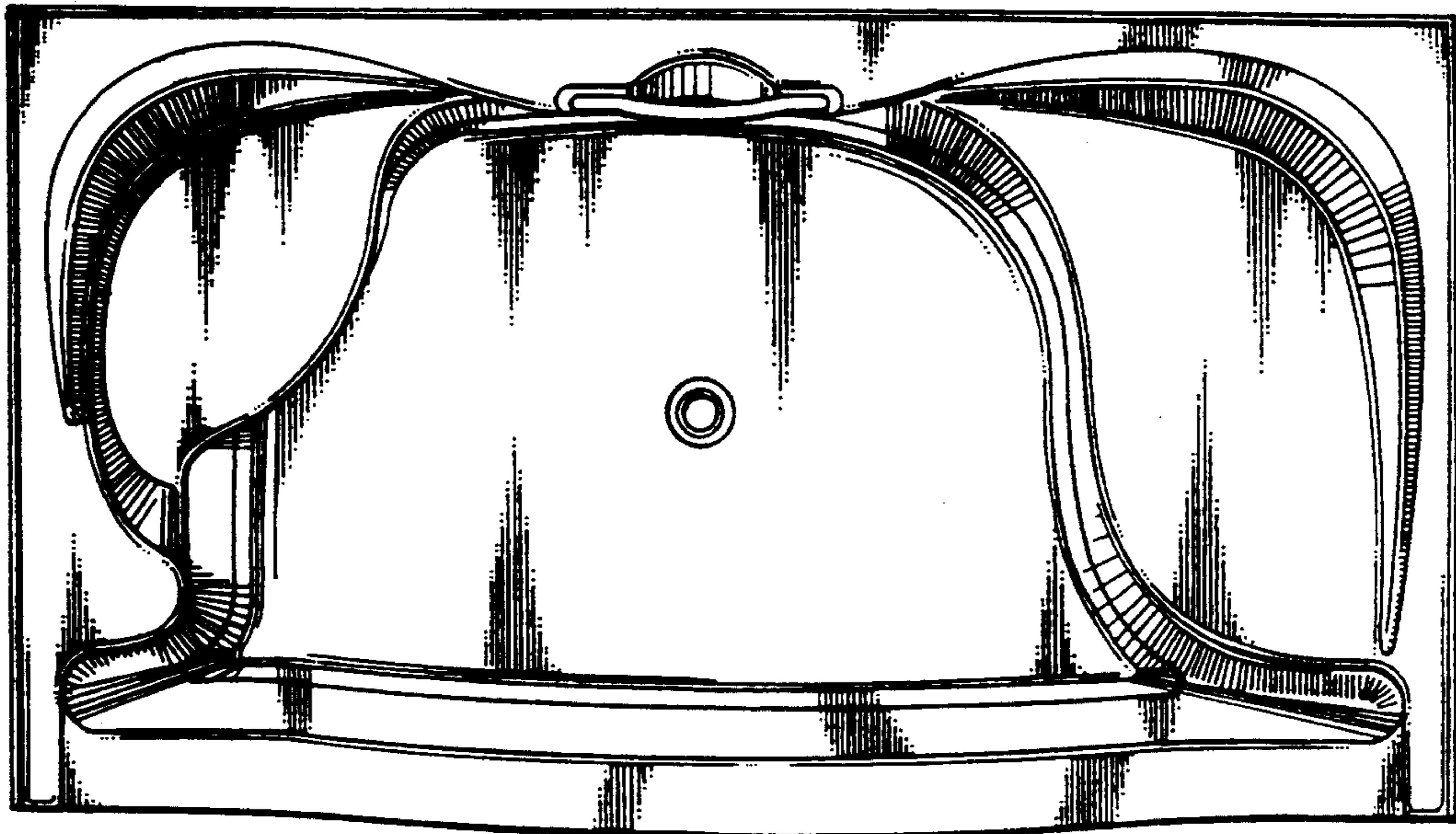


FIG. 2

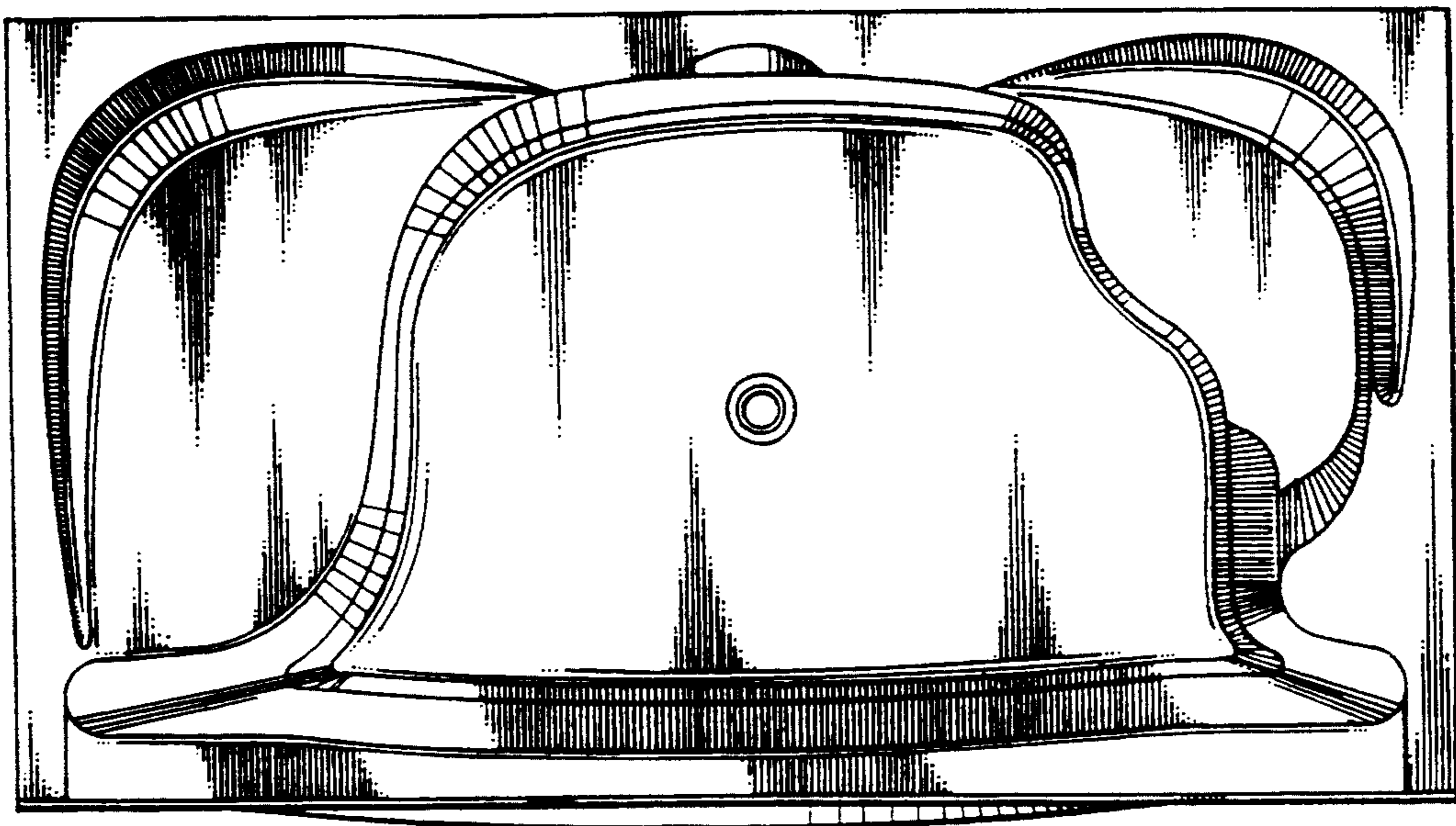


FIG. 3

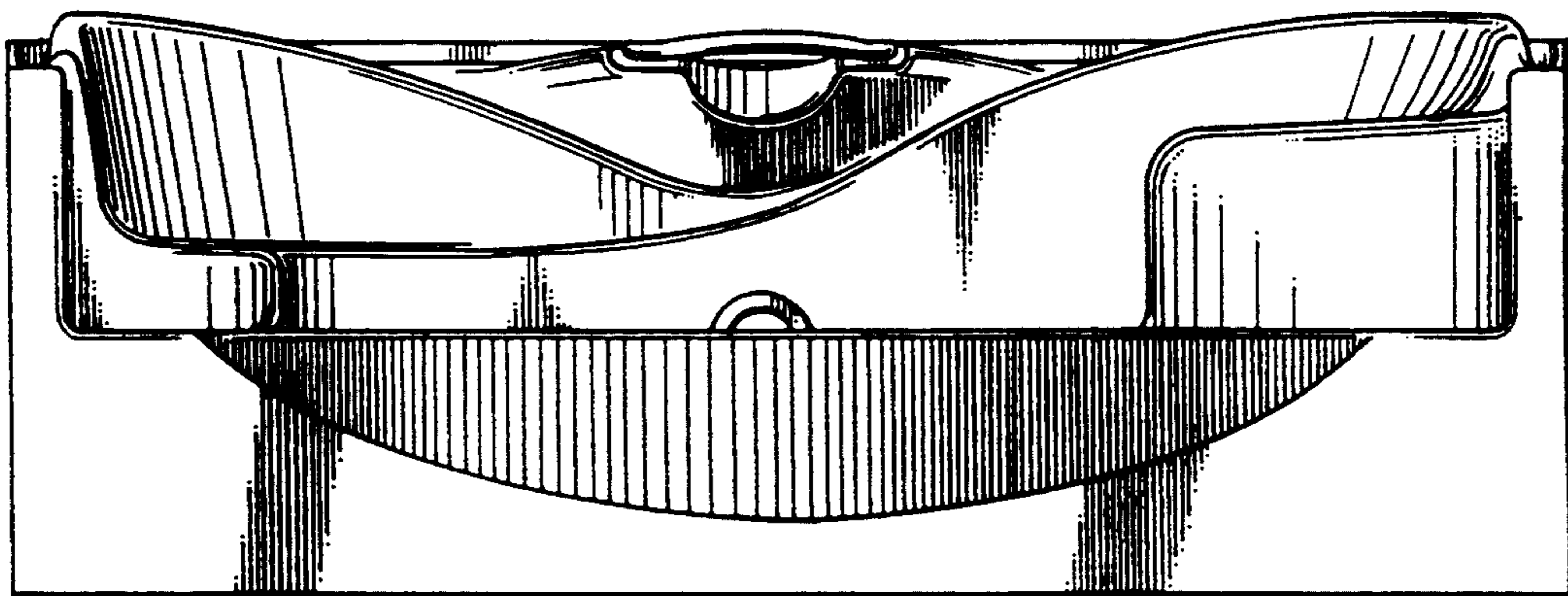


FIG. 4

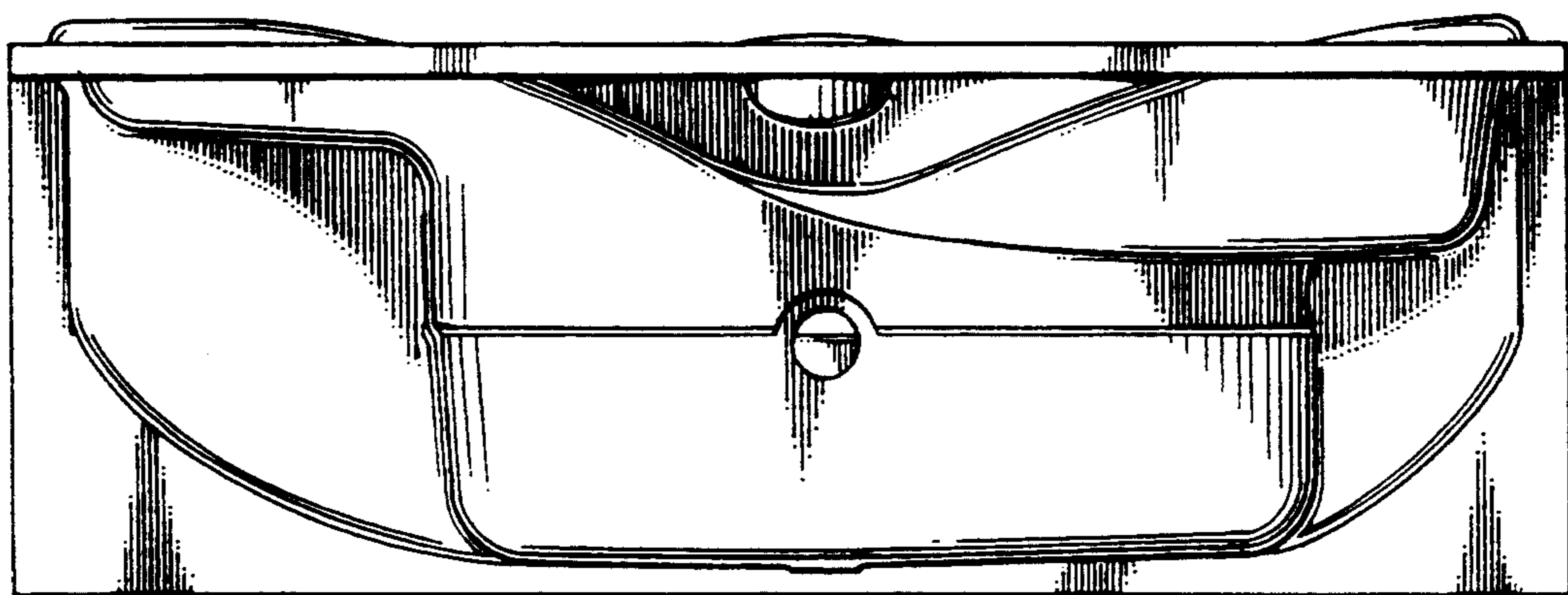


FIG. 5

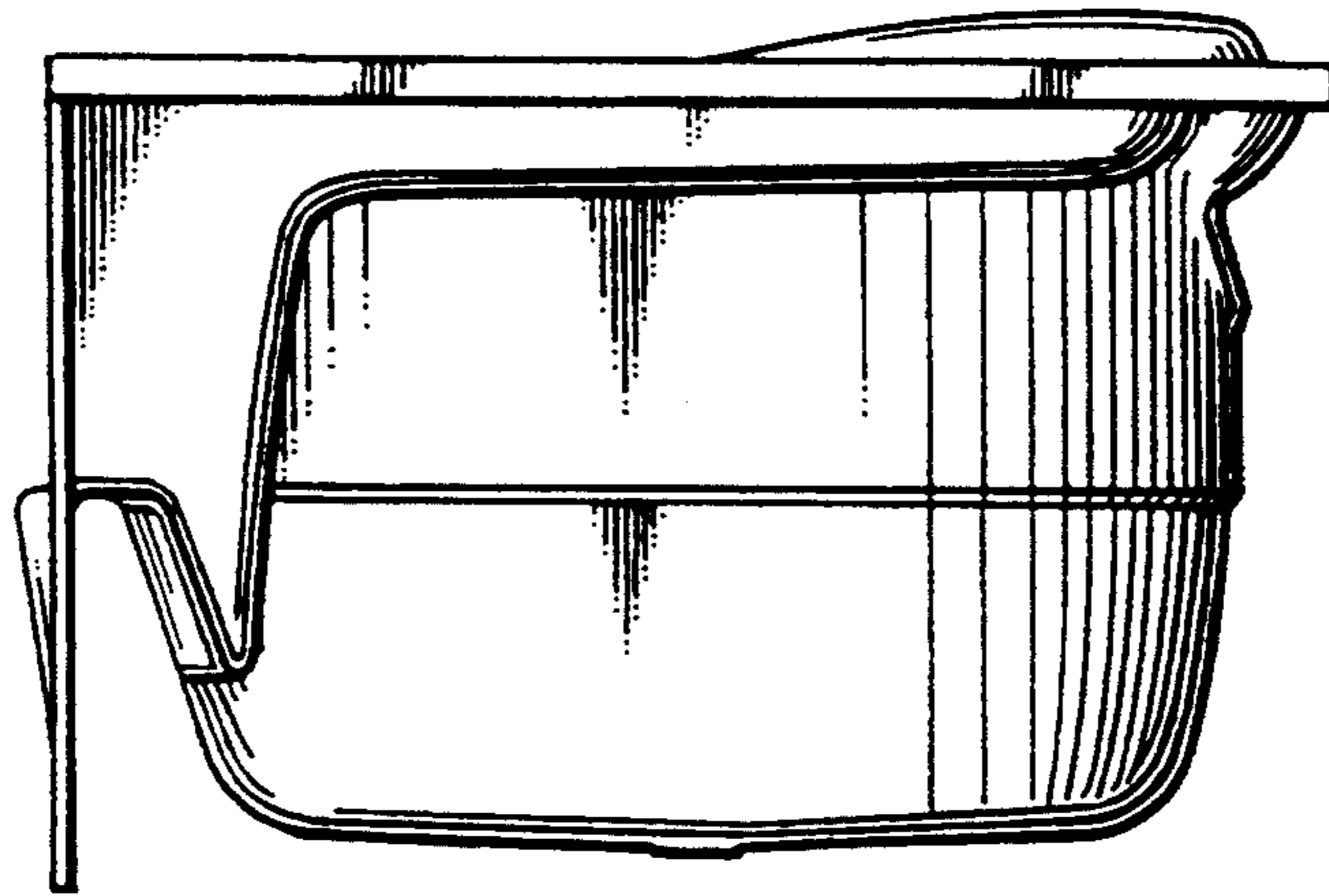


FIG. 6

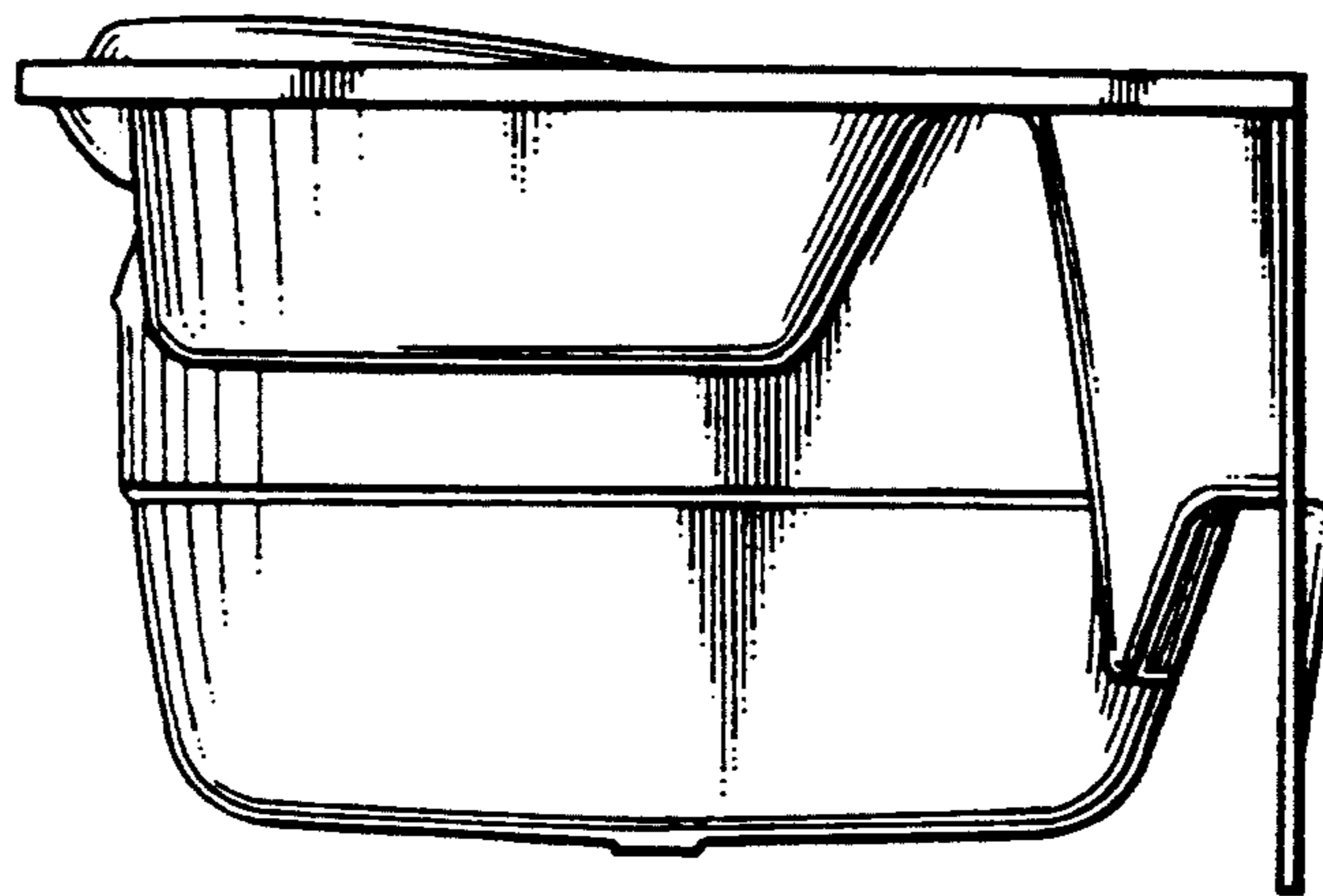


FIG. 7