



US00D349944S

United States Patent [19]
Harris

[11] **Patent Number: Des. 349,944**
[45] **Date of Patent: ** Aug. 23, 1994**

[54] **CONTAINER FOR BULK MATERIALS**
[75] **Inventor: Jack E. Harris, Savannah, Ga.**
[73] **Assignee: Encon, Inc., Romeo, Mich.**
[**] **Term: 14 Years**
[21] **Appl. No.: 8,210**
[22] **Filed: May 12, 1993**
[52] **U.S. Cl. D23/202**
[58] **Field of Search D9/414, 431; 206/503, 206/505, 509, 511, 508, 515; 220/1.5, 4.12, 4.16, 561, 562, 565; 222/105, 143, 185; D23/202-206; D34/38**

[56] **References Cited**

U.S. PATENT DOCUMENTS

D. 216,590	2/1970	Coleman	D23/202
D. 319,904	9/1991	Cozzi et al.	D9/414 X
D. 332,130	12/1992	Przytulla	.	
D. 337,367	7/1993	McKenzie et al.	D23/202
2,887,251	5/1959	Mackridge	.	
3,729,121	4/1973	Cannon	222/185
3,782,602	1/1974	Page	222/143
4,157,609	6/1979	Schütz	.	
4,173,288	11/1979	Schutz	.	
4,426,015	1/1984	Preston et al.	.	
4,516,692	5/1985	Croley	.	
4,690,299	9/1987	Cannon	.	
4,746,034	5/1988	Ata et al.	222/185 X
4,793,519	12/1988	Voorhies, Jr.	.	
4,930,661	6/1990	Voorhies	.	
4,995,588	2/1991	Nichols	.	
5,024,346	6/1991	Roser	222/105 X
5,029,734	7/1991	Nichols	.	
5,064,096	11/1991	Illing et al.	.	
5,110,000	5/1992	Nichols	.	
5,111,937	5/1992	Schutz	.	
5,133,476	7/1992	Schutz	.	
5,156,268	10/1992	Nichols	.	

FOREIGN PATENT DOCUMENTS

9221575 12/1992 PCT Int'l Appl. .

OTHER PUBLICATIONS

"Introducing Tuff Tank.", Chemical Handling Equip-

ment Co., Inc., 5451 Enterprise Blvd., Toledo, Ohio 43612; 2 pages; 1987.
"Atlas 360" and Saturn 350; Georgia Polymer Inc., P.O. Box 161554, Atlanta, Ga. 30321; 4 pages; date unknown.
1 page from "Hazmat World"; 1991.
1 page; Consolidated Plastics, Twinsburg, Ohio 44087; date unknown.
Enpac Corporation, 8400 Baymeadows Way, Bldg. 18, Jacksonville, Fla. 32256; 1 page; 1991.
"The Uni-Pak Bulk system", Shuert Industries Sales Inc., 6600 Dobry Road, Sterling Heights, Mich. 48314; 6 pages; date unknown.
21st Century Containers, Ltd., 150 Selig Drive, Atlanta, Ga. 30336; 5 pages; 1992.
"Concertainer", Van Leer Nederland B.V., Fibre Drums & Plastic Containers, Keulsekade 216, 3534 AC Utrecht; 4 pages; date unknown.
"The Sonobulk System"; Sonoco IBC, 100 Alex Street, Lavonia, Ga. 30553; 8 pages; date unknown.
Bonar Plastics Inc., 1005 Atlantic Drive, West Chicago, Ill. 60185; 39 pages; date unknown.
"Duratank", Hoover Group Incorporated, Alpharetta, Ga. 30201; 26 pages; 1991.

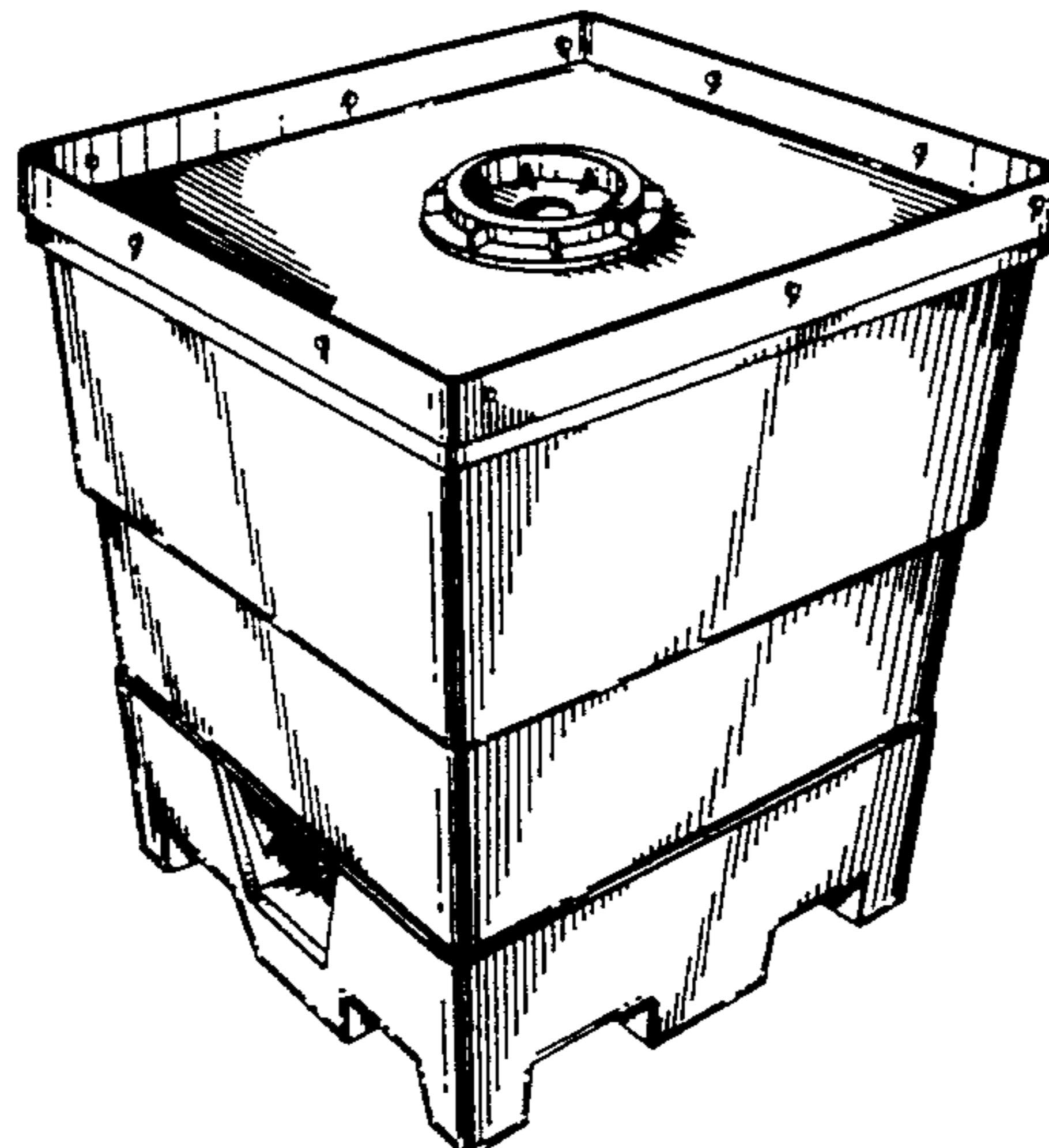
Primary Examiner—Prabhakar G. Deshmukh
Attorney, Agent, or Firm—Renner, Kenner, Greive, Bobak, Taylor & Weber

[57] **CLAIM**

The ornamental design for a container for bulk materials, as shown and described.

DESCRIPTION

FIG. 1 is a perspective view of a container for bulk materials embodying my new design;
FIG. 2 is a front elevational view thereof;
FIG. 3 is a side elevational view thereof showing the side opposite to that shown in FIG. 1, the sides being identical in elevation;
FIG. 4 is a rear elevational view thereof;
FIG. 5 is a top plan view thereof; and,
FIG. 6 is a bottom plan view thereof.



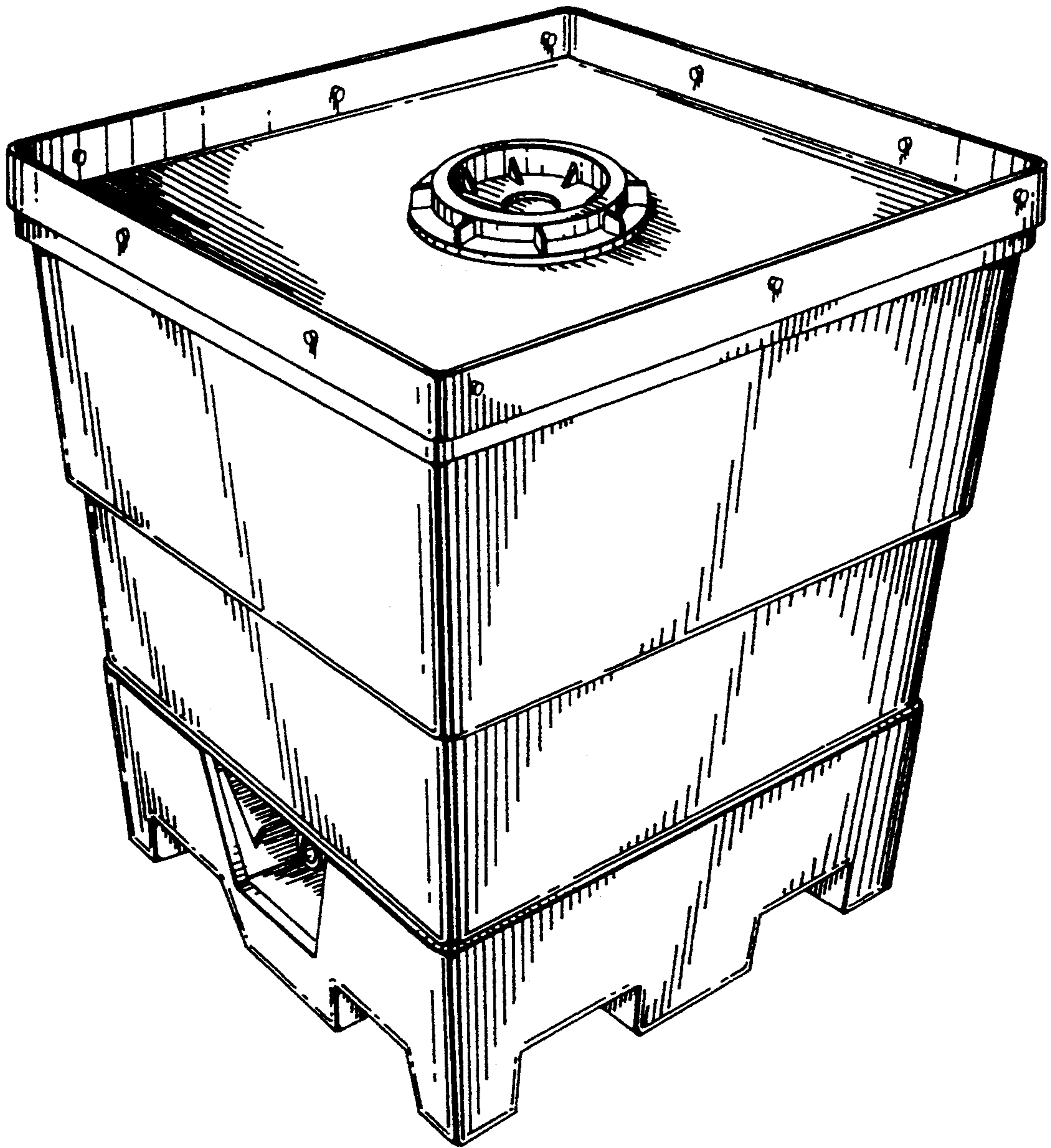


FIG. 1

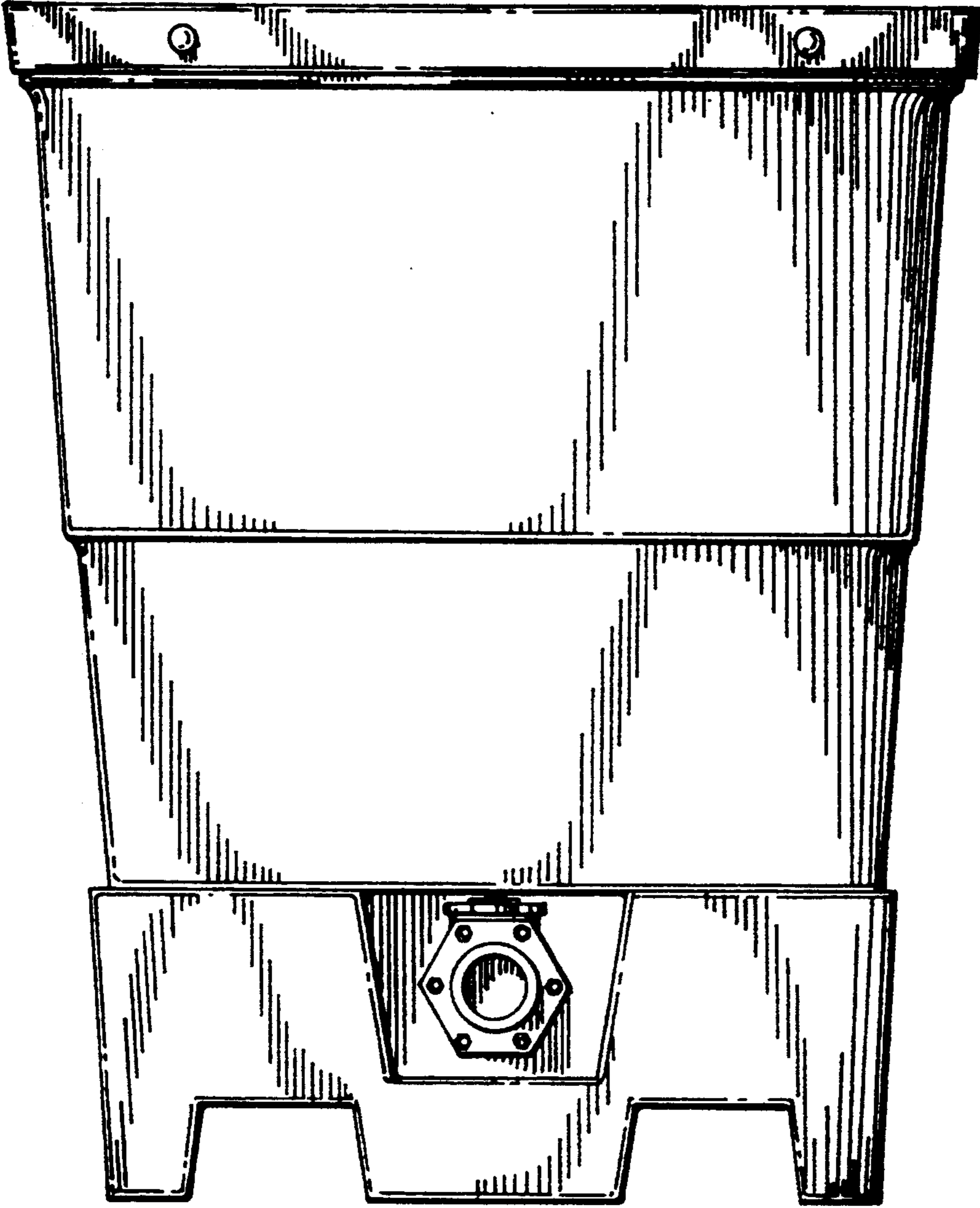


FIG. 2

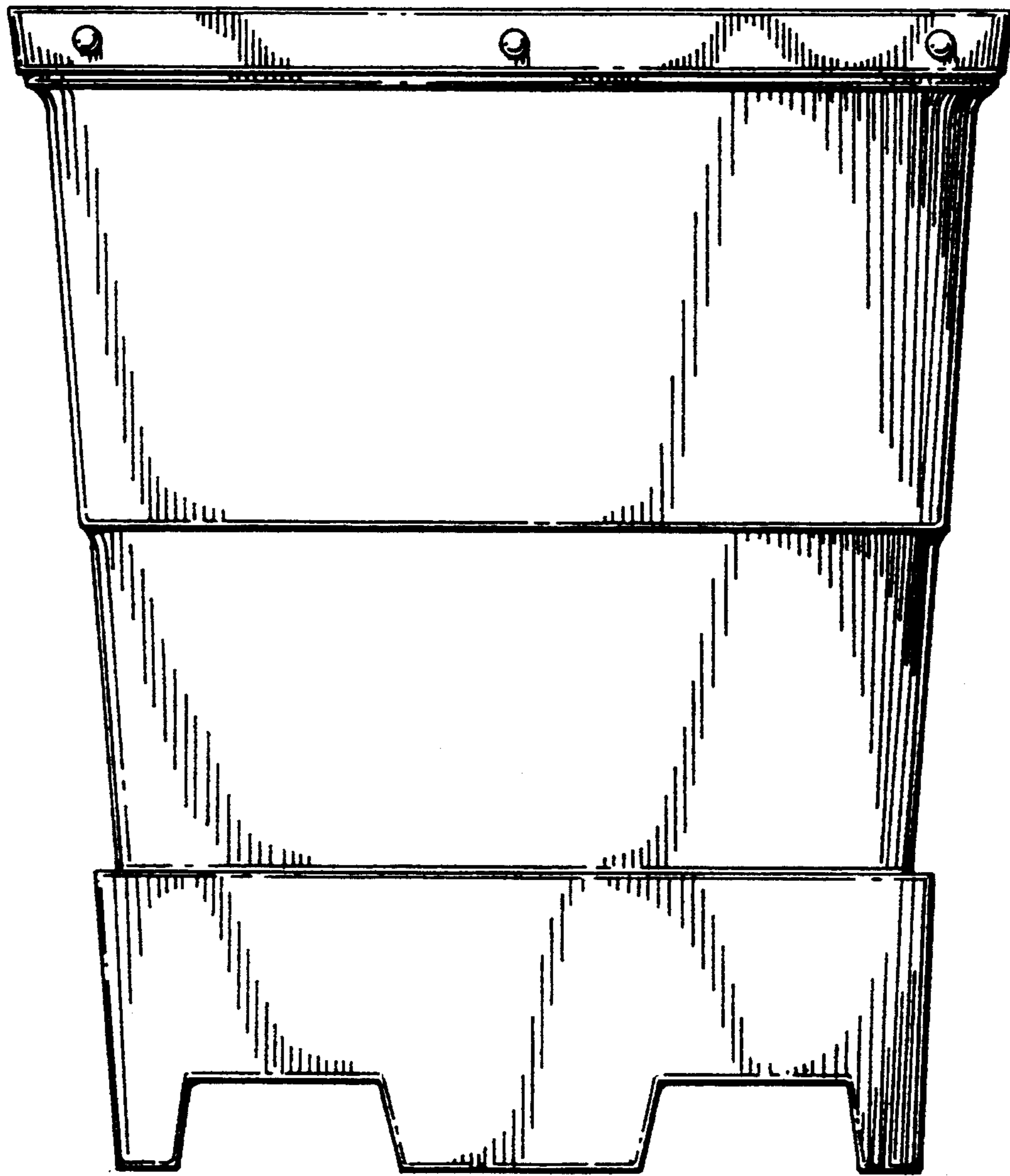


FIG. 3

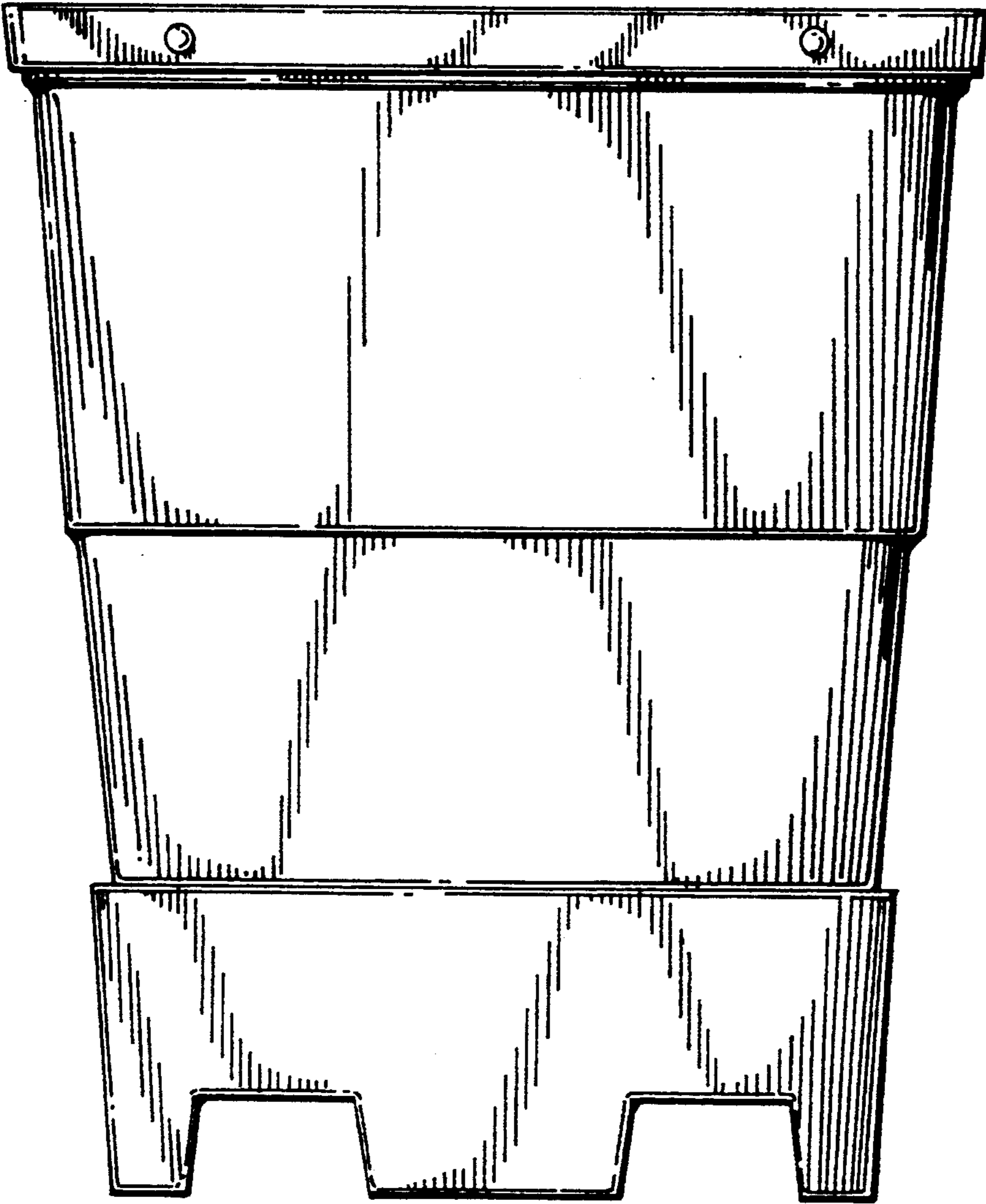


FIG. 4

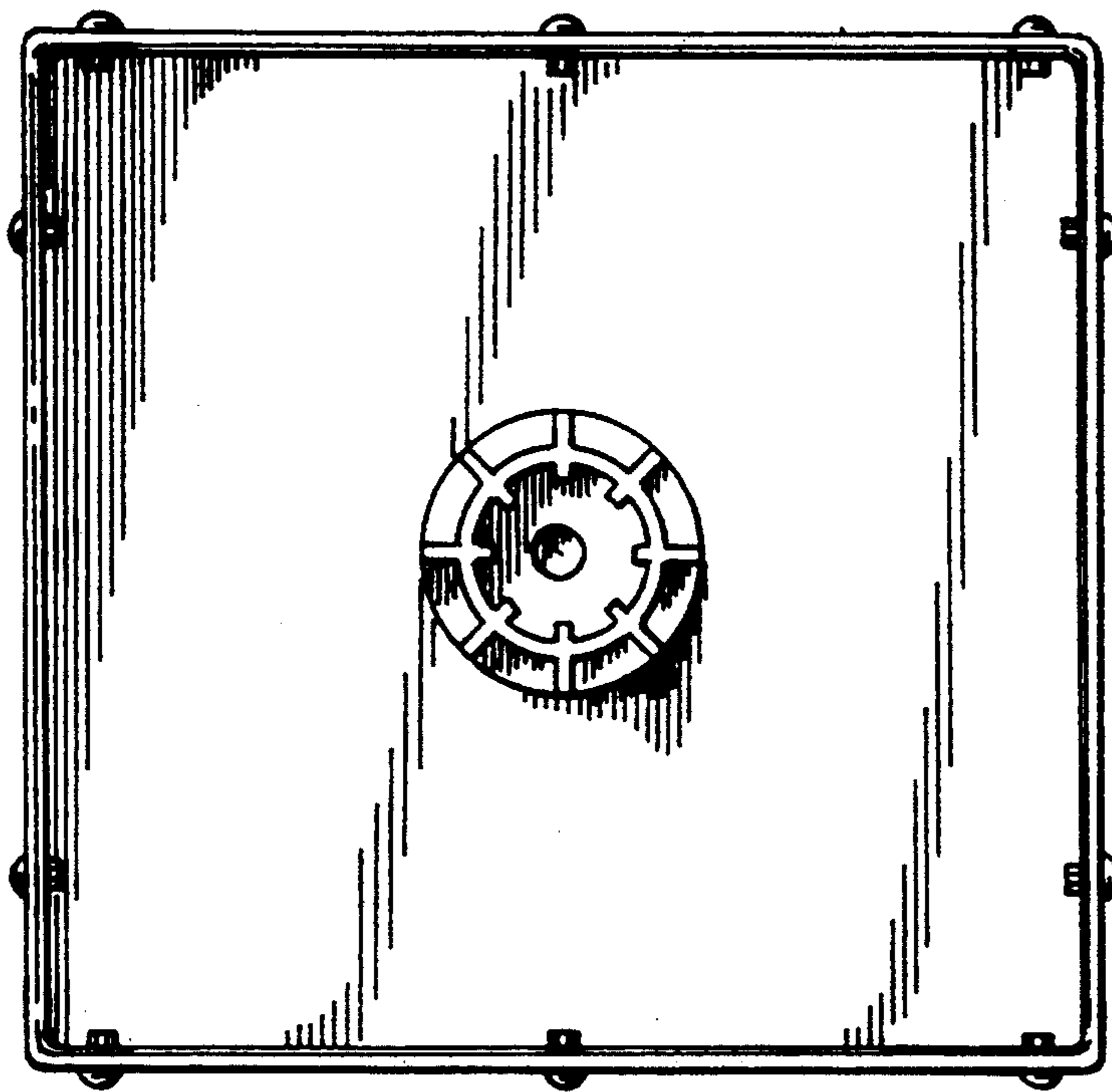


FIG. 5

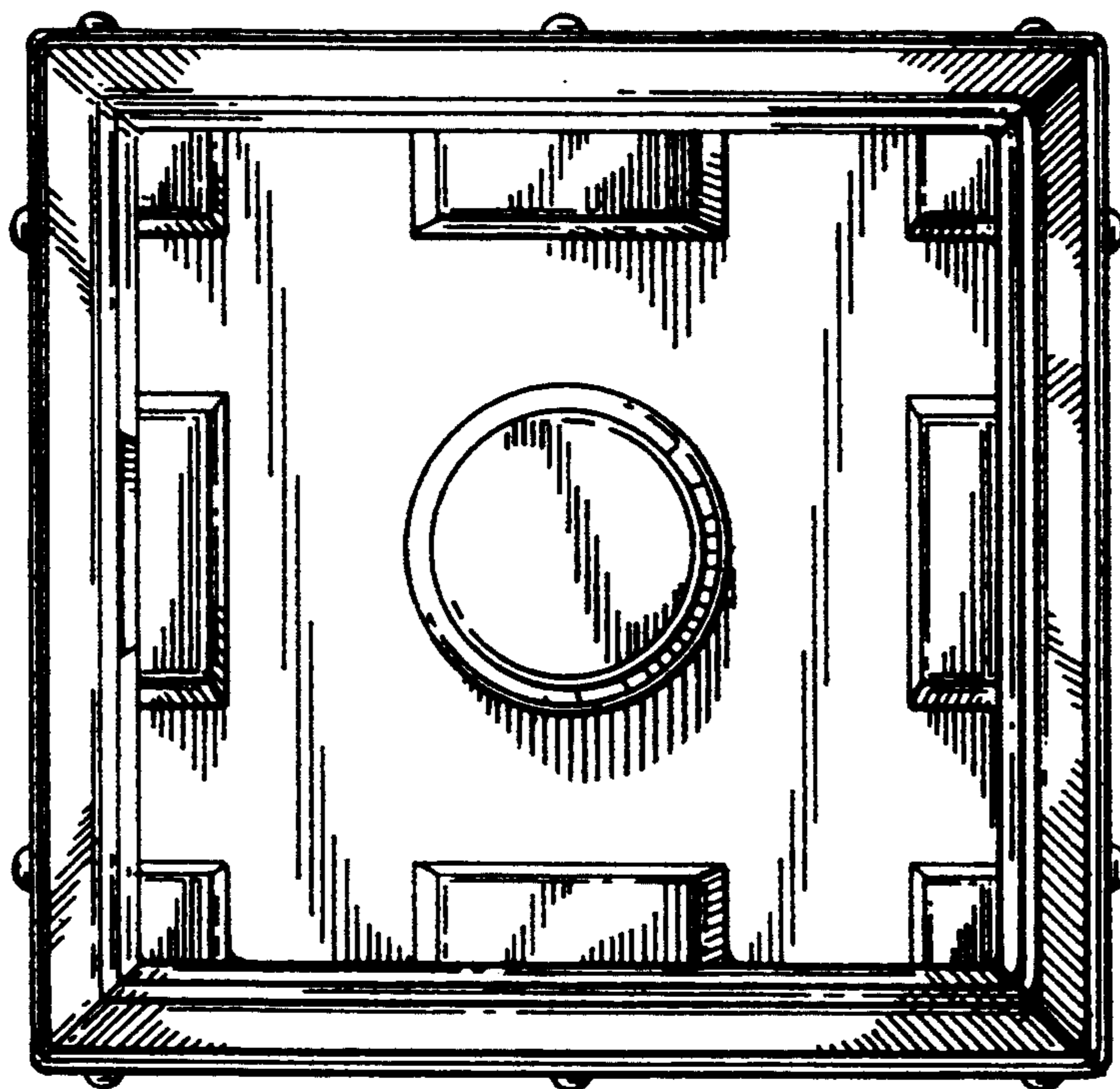


FIG. 6