



US00D349936S

# United States Patent [19]

[11] Patent Number: **Des. 349,936**

**Rochefort**

[45] Date of Patent: **\*\* Aug. 23, 1994**

[54] **BOWLING ALLEY**

[76] Inventor: **Lucien Rochefort**, 103 Abbé  
Ruelland Street, Beauport, (Québec),  
Canada G1E 5L4

[\*\*] Term: **14 Years**

[21] Appl. No.: **860,353**

[22] Filed: **Mar. 30, 1992**

[52] U.S. Cl. .... **D21/233**

[58] Field of Search ..... 273/37, 63 R, 85 R,  
273/236, 54 R, 121 A, 121 R, 54 A, 85 G;  
D21/233, 199, 7-11

2,609,203 9/1952 Bula ..... 273/85 R  
3,171,655 3/1965 Glass et al. .... 273/54 R  
4,369,971 1/1983 Chang et al. .... 273/37 X

### OTHER PUBLICATIONS

Brunswick bowling catalog, 1961, p. 5.

*Primary Examiner*—Prabhakar G. Deshmukh  
*Attorney, Agent, or Firm*—Pierre Lespérance; Francois  
Martineau

### CLAIM

The ornamental design for bowling alley, as shown and described.

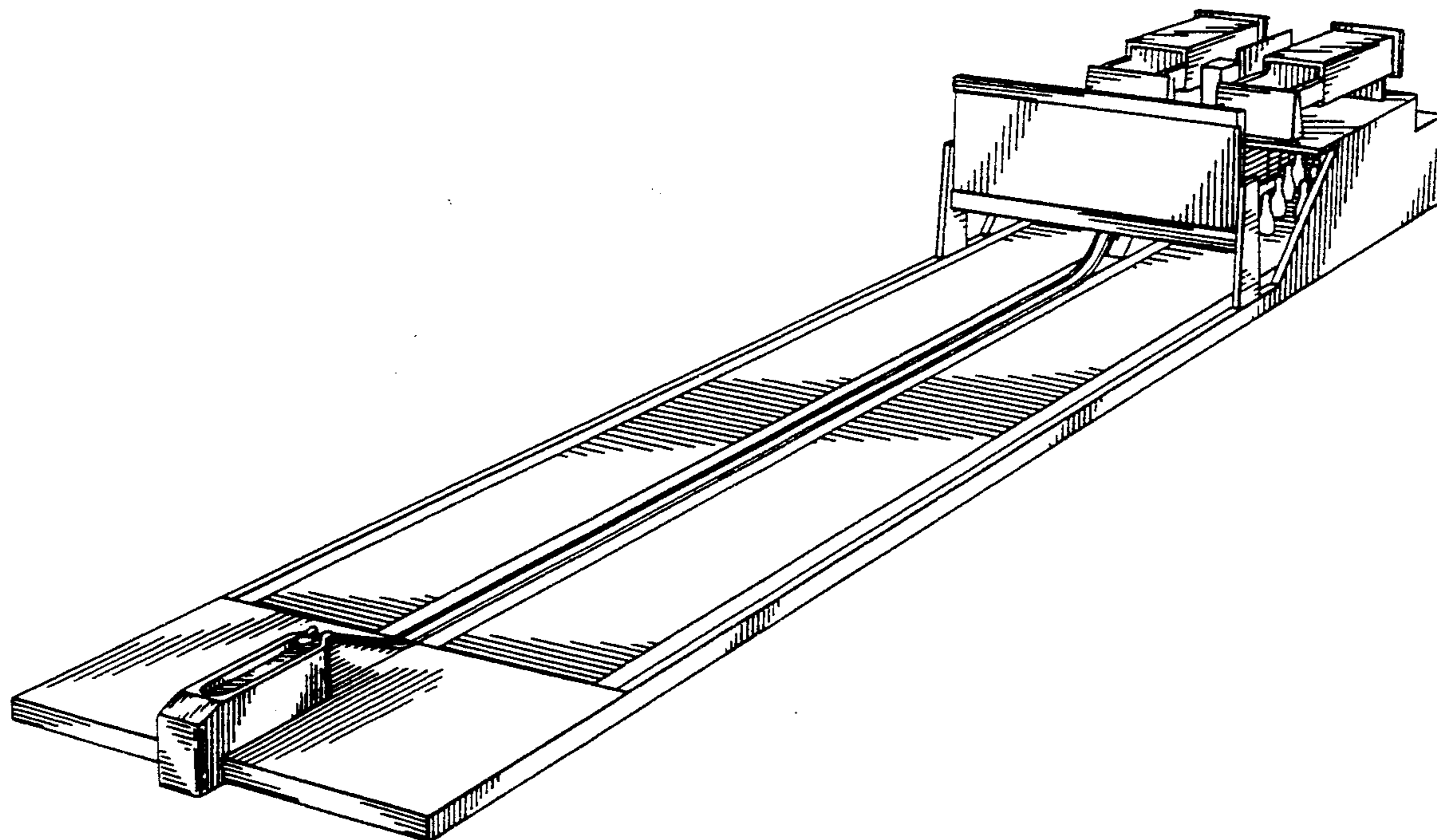
### References Cited

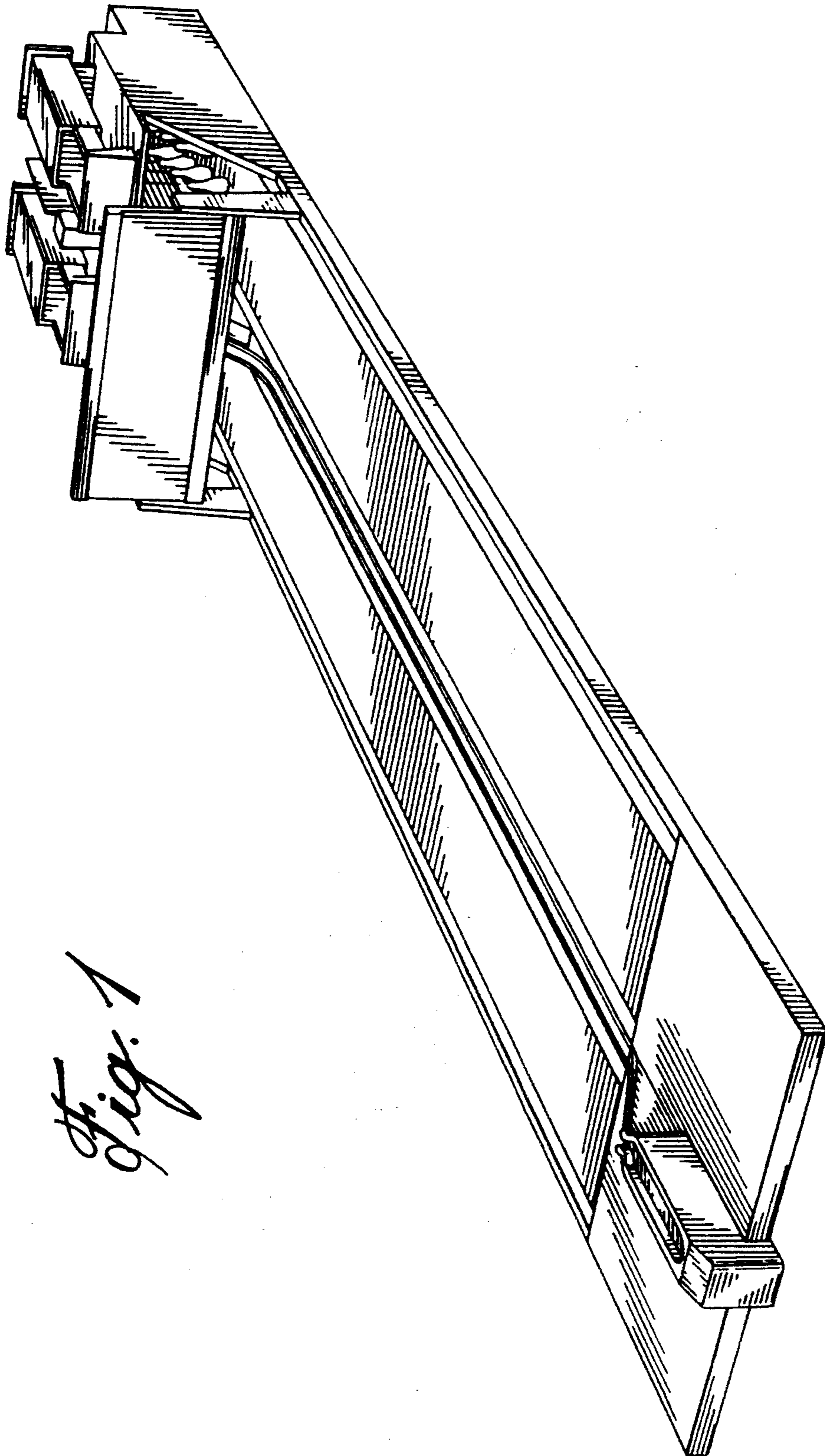
#### U.S. PATENT DOCUMENTS

D. 181,093 10/1957 Durant ..... D21/11  
D. 183,725 10/1958 Durant ..... D21/11  
D. 226,860 5/1973 Maeda ..... D21/11  
D. 240,946 8/1976 Livesay ..... D21/11  
D. 255,806 7/1980 Vernon et al. .... D21/7  
2,572,456 10/1951 Durant et al. .... 273/85 R

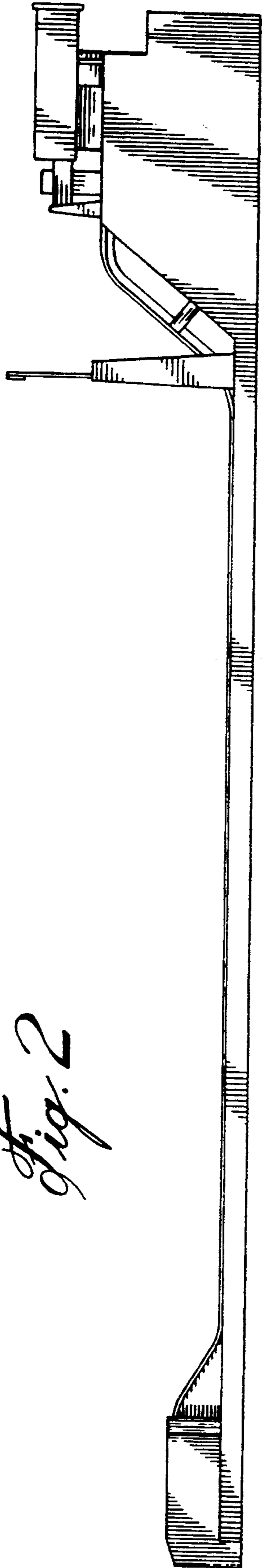
### DESCRIPTION

FIG. 1 is a perspective view of a bowling alley showing my new design;  
FIG. 2 is a right side elevational view thereof; the left side elevational view being a mirror image thereof;  
FIG. 3 is a front elevational view thereof;  
FIG. 4 is a rear elevational view thereof; and,  
FIG. 5 is a top plan view thereof.

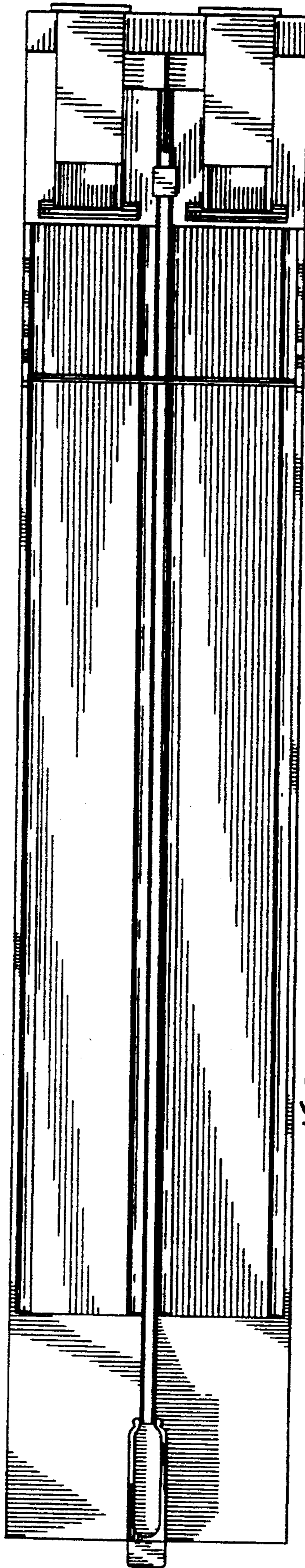




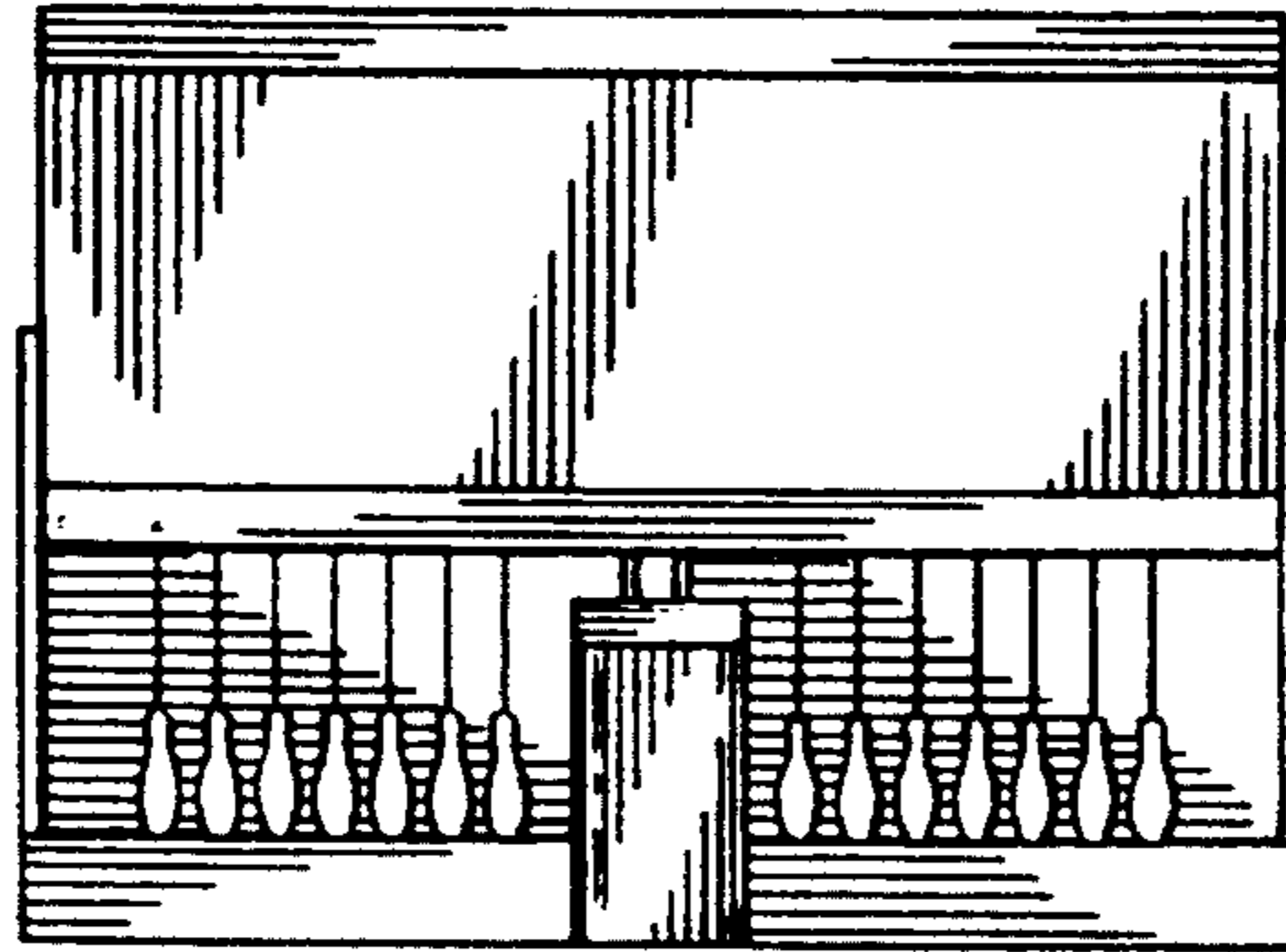
*Fig. 1*



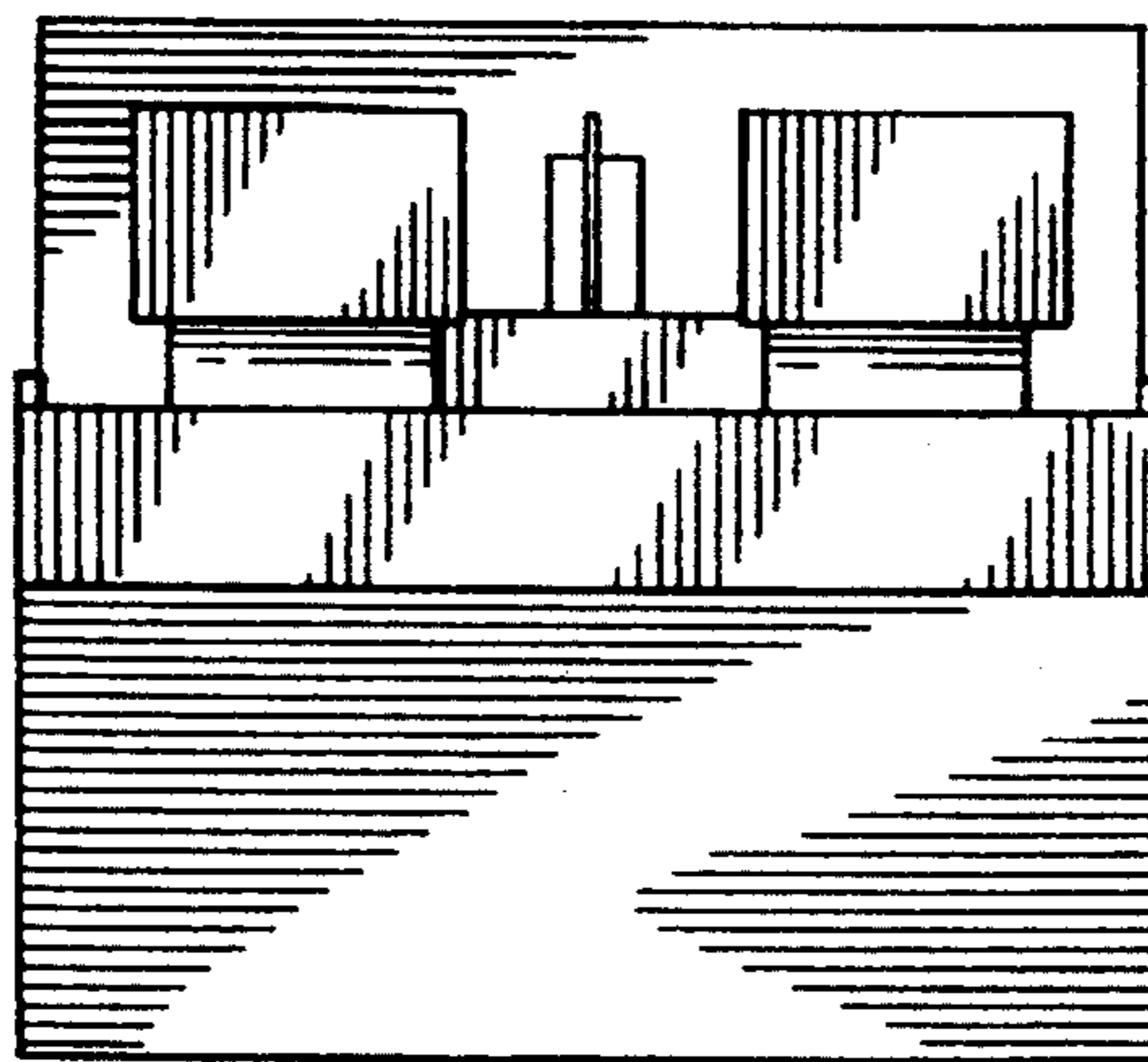
*Fig. 2*



*Fig. 5*



*Fig. 3*



*Fig. 4*