



US00D349933S

United States Patent [19] Offutt

[11] Patent Number: **Des. 349,933**

[45] Date of Patent: **** Aug. 23, 1994**

[54] **AERIAL TOY GOAL**

[75] Inventor: **James C. Offutt**, Peoria, Ill.

[73] Assignee: **Rimball Marketing and Development, Inc.**, Evanston, Ill.

[**] Term: **14 Years**

[21] Appl. No.: **853,320**

[22] Filed: **Mar. 18, 1992**

[52] U.S. Cl. **D21/200**

[58] Field of Search 273/1.5, 322; D21/200, D21/201

[56] **References Cited**

U.S. PATENT DOCUMENTS

D. 110,225	6/1938	Schutt	D21/201
D. 277,884	3/1985	Offutt	D21/201
1,258,931	3/1918	Newcombe	273/402
2,130,820	9/1938	Trumbull	273/411
2,194,779	3/1940	Albach	273/1.5
2,278,616	4/1942	Kettering	273/1.5
2,545,615	3/1951	Hatley	D21/200 X
3,350,097	10/1967	Chevrette et al.	273/402
3,388,909	6/1968	Woods	273/1.5
3,421,764	1/1969	Smith et al.	273/402
3,469,844	9/1969	Sindelar	273/402
3,588,103	6/1971	Fuller	273/1.5
3,602,505	8/1971	Friend	273/1.5
3,650,530	3/1972	Gantz	273/1.5
3,669,450	6/1972	Mason	273/1.5
3,901,506	8/1975	Caveney	273/1.5
3,917,263	11/1975	Wiley	273/1.5
4,286,786	9/1981	Papadopoulos	273/397
4,657,249	4/1987	Offutt	273/1.5 R

FOREIGN PATENT DOCUMENTS

2222779	3/1990	United Kingdom	273/1.5 R
---------	--------	----------------	-------	-----------

OTHER PUBLICATIONS

Argo Industries Corp.; Mar. 10, 1965; Floating Basketball Game.

Coach and Athlete; Oct. 1977; p. 29.

Primary Examiner—Melvin B. Feifer

Assistant Examiner—M. Siegel

Attorney, Agent, or Firm—McAndrews, Held & Malloy, Ltd.

[57] **CLAIM**

The ornamental design for the aerial toy goal, as shown and described.

DESCRIPTION

FIG. 1 is a perspective view of an aerial toy goal showing my new design;

FIG. 2 is a top view thereof;

FIG. 3 is a front view thereof;

FIG. 4 is a right side elevational view thereof, the undisclosed opposite side being a mirror image;

FIG. 5 is a rear view thereof;

FIG. 6 is a bottom view thereof;

FIG. 7 is a perspective view of a second embodiment of the aerial toy goal as in FIG. 1;

FIG. 8 is a top view of FIG. 7;

FIG. 9 is a front view of back view of FIG. 7;

FIG. 10 is a side elevational view of FIG. 7, the undisclosed opposite side being identical;

FIG. 11 is a bottom view of FIG. 7;

FIG. 12 is a perspective view of a third embodiment of the aerial toy goal as in FIG. 1;

FIG. 13 is a top view of FIG. 12;

FIG. 14 is a front elevational view of FIG. 12, the undisclosed opposite side being identical;

FIG. 15 is a side elevational view of FIG. 12, the undisclosed opposite side being identical; and,

FIG. 16 is a bottom view of FIG. 12.

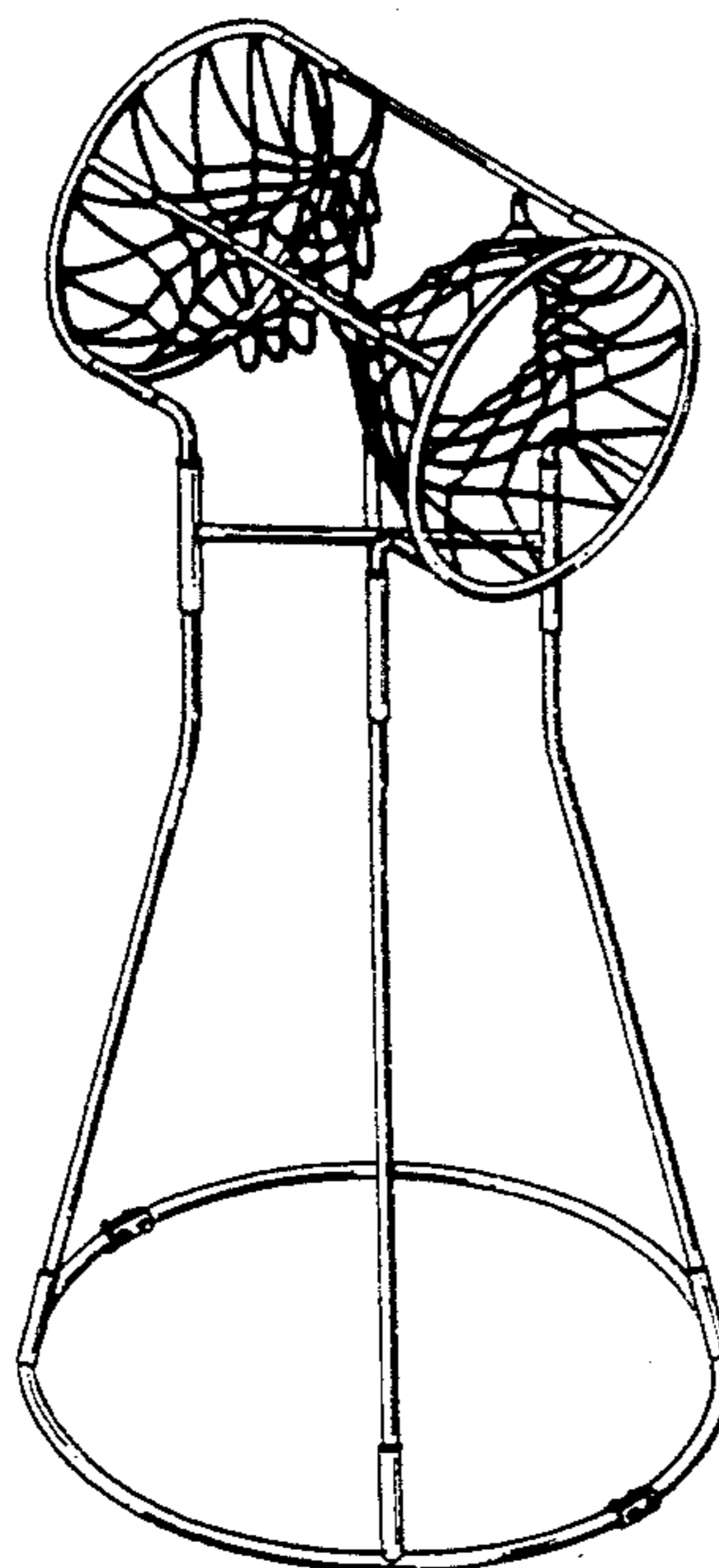


Fig. 1

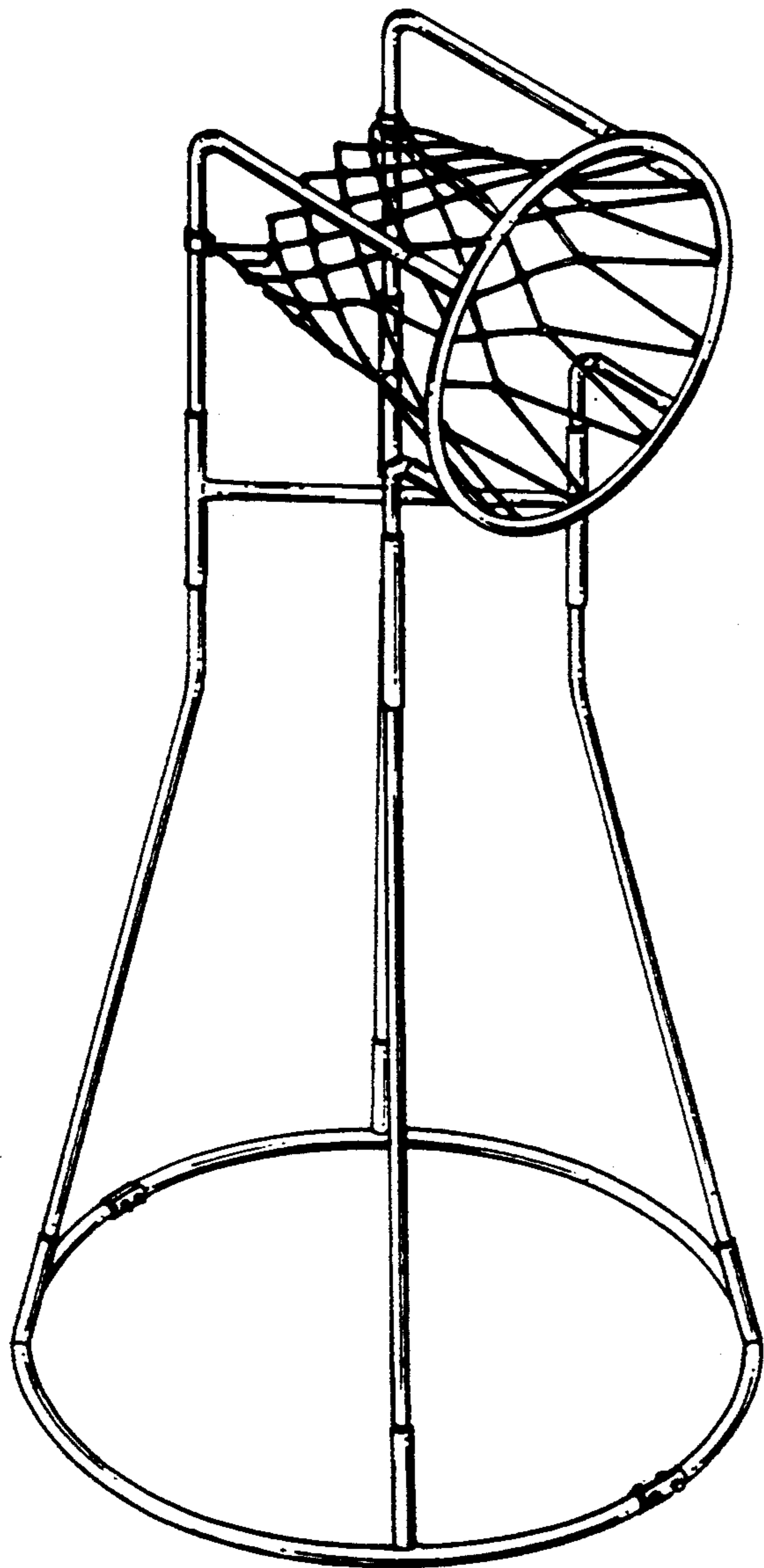


Fig. 2

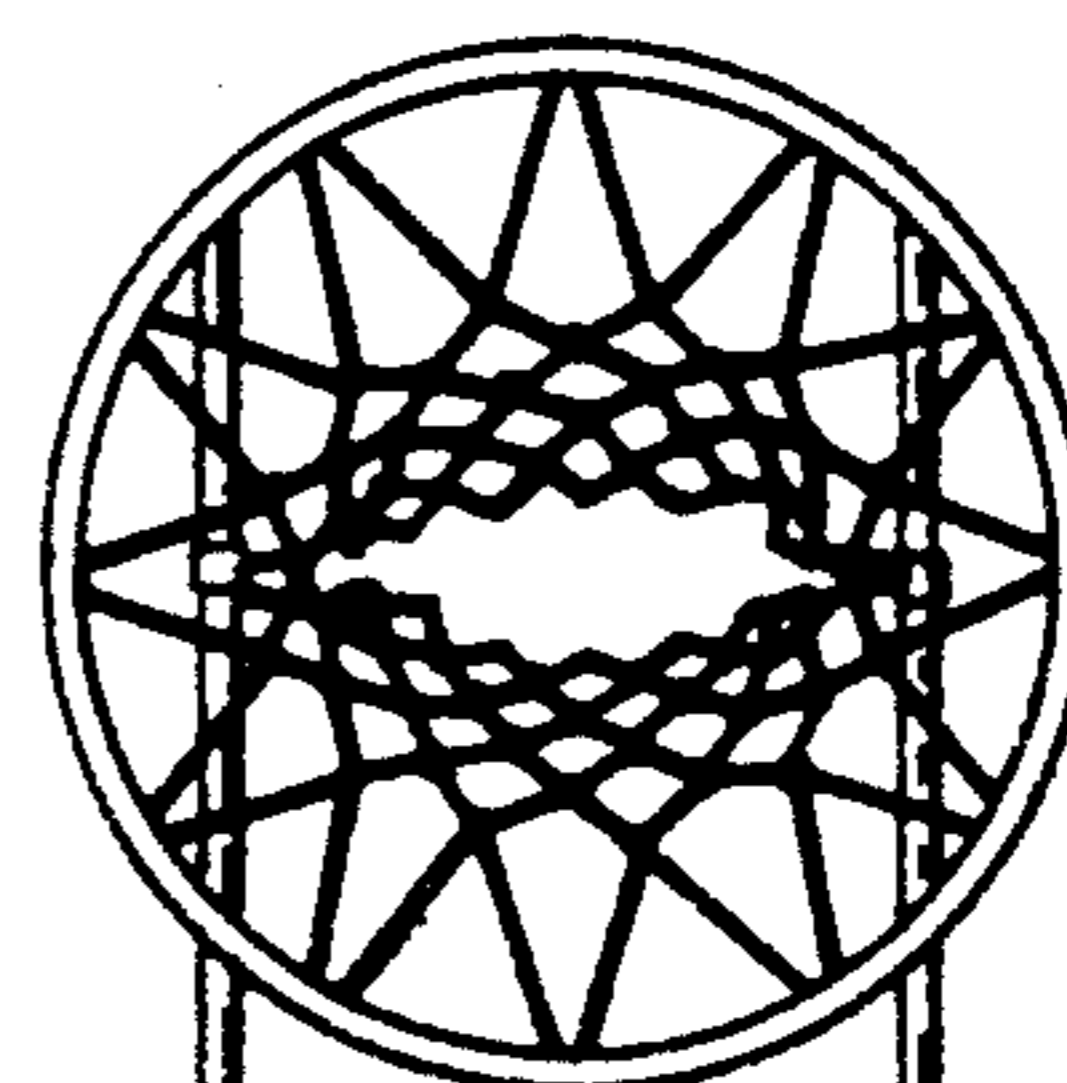
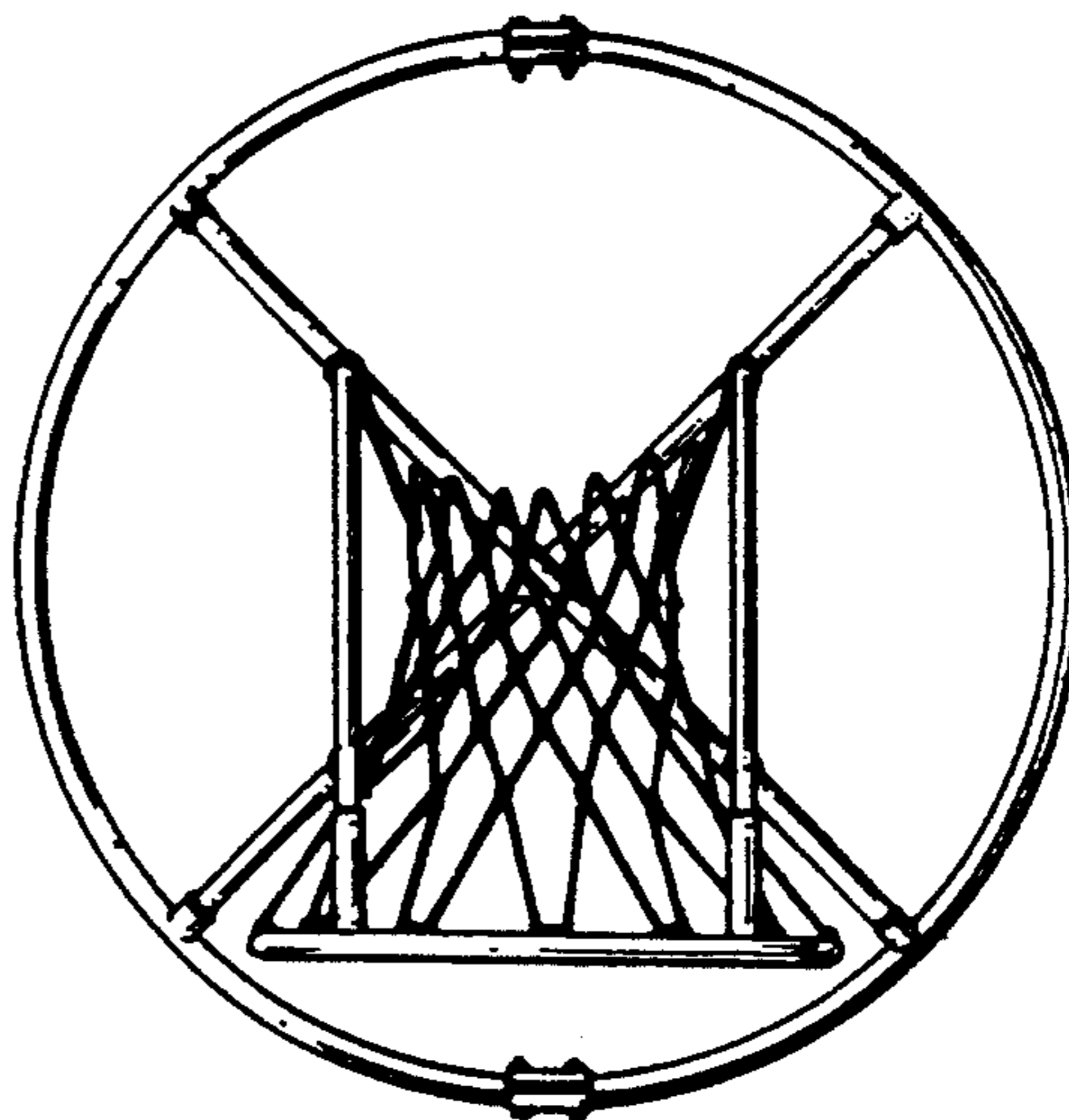
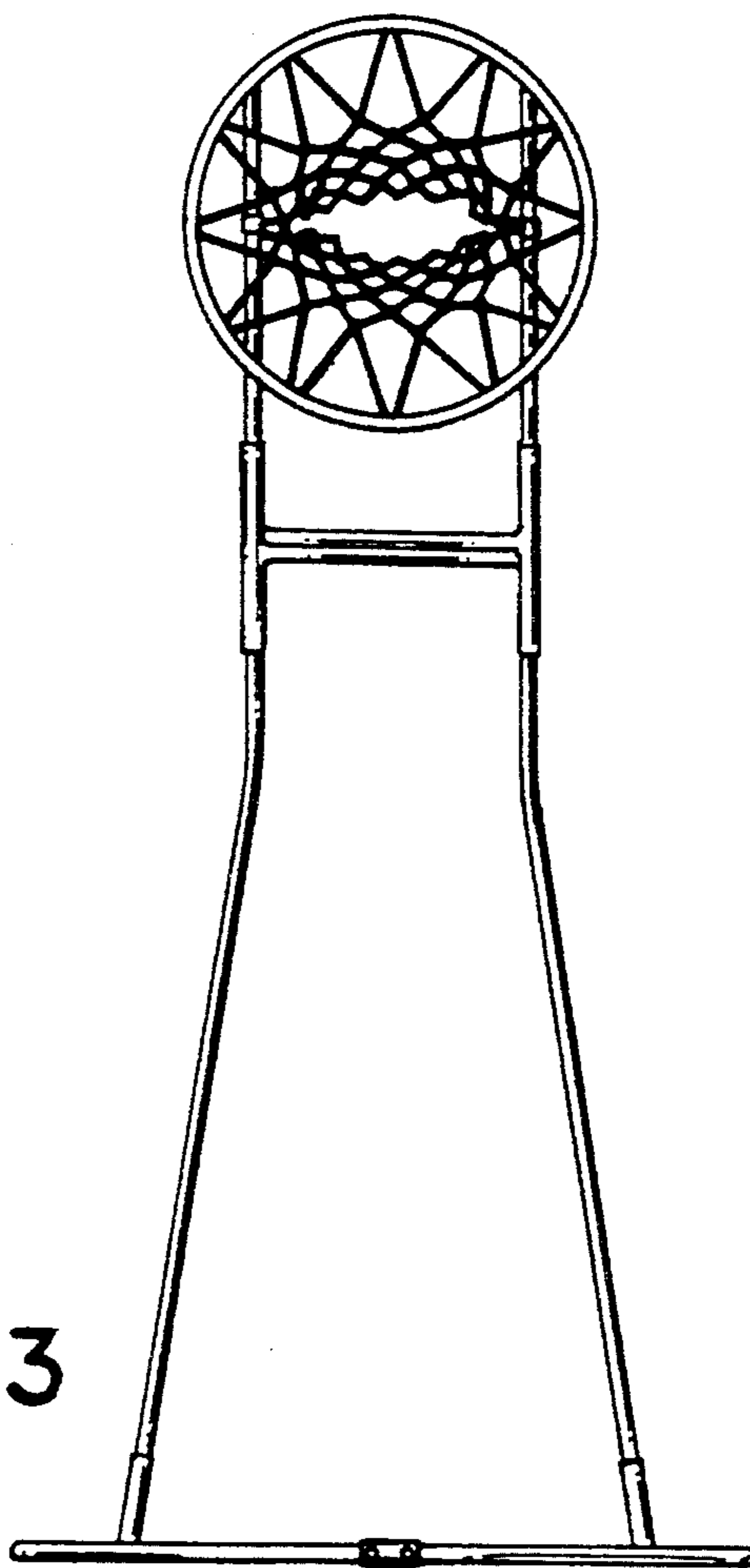


Fig. 3



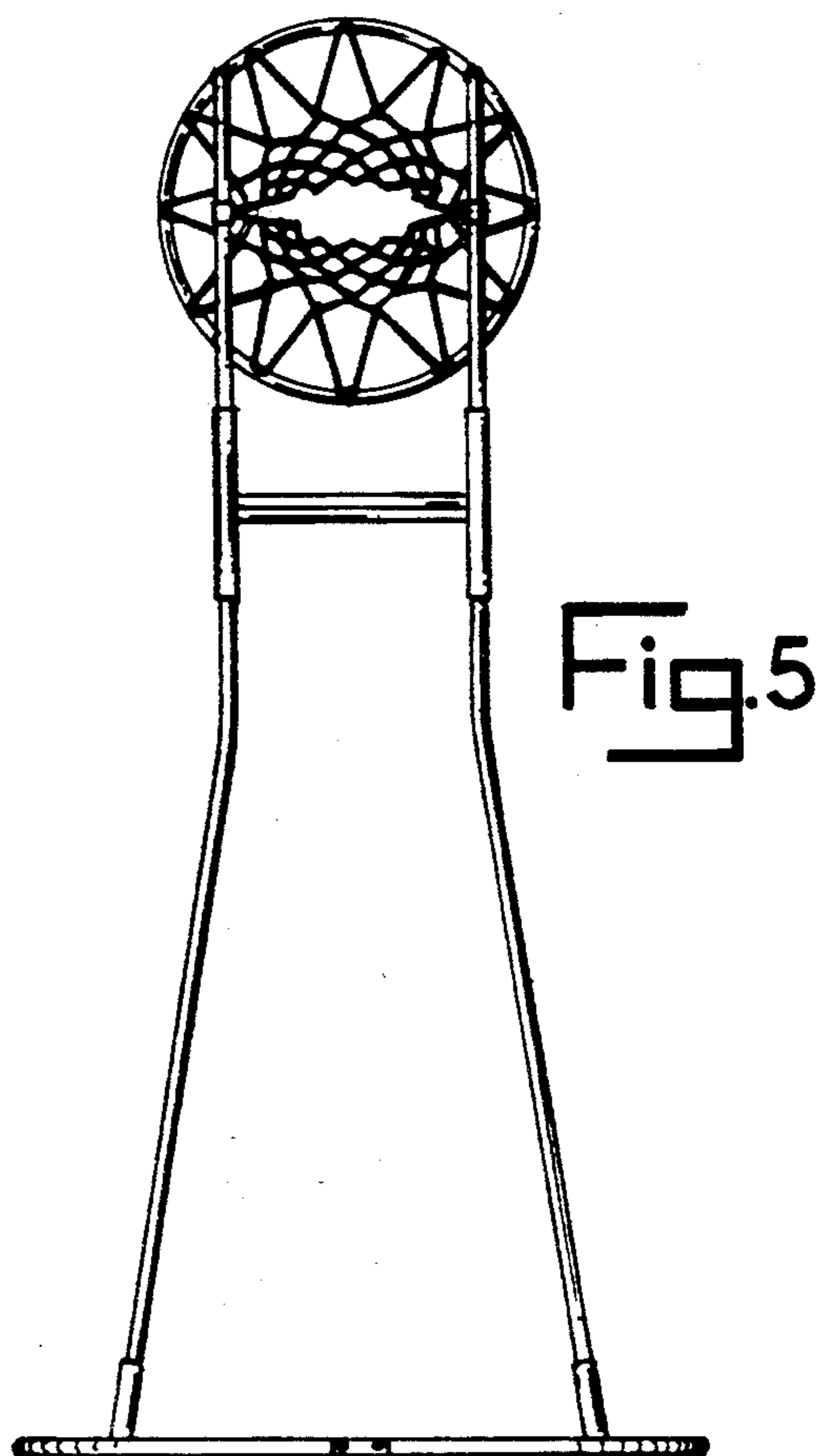
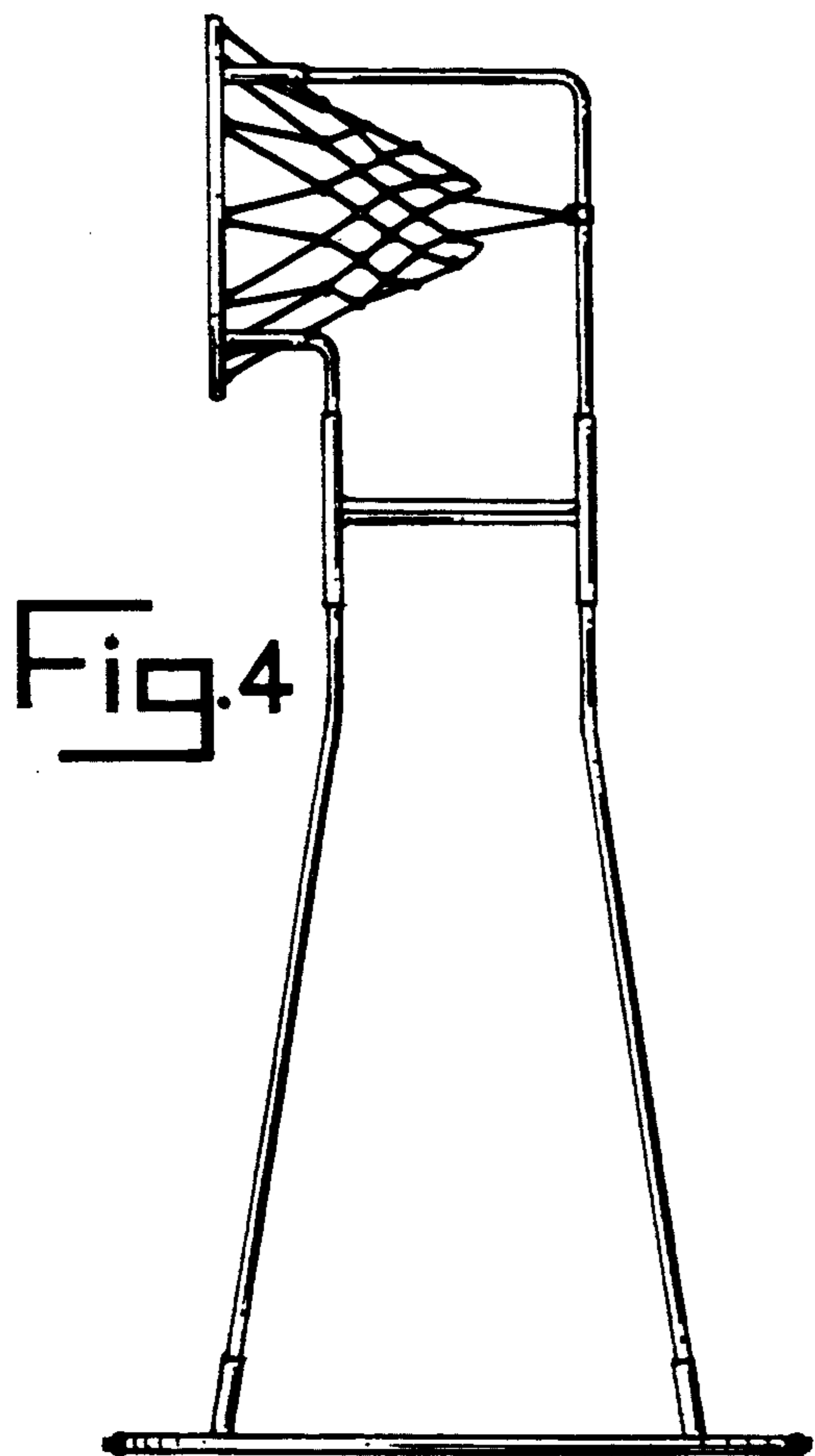
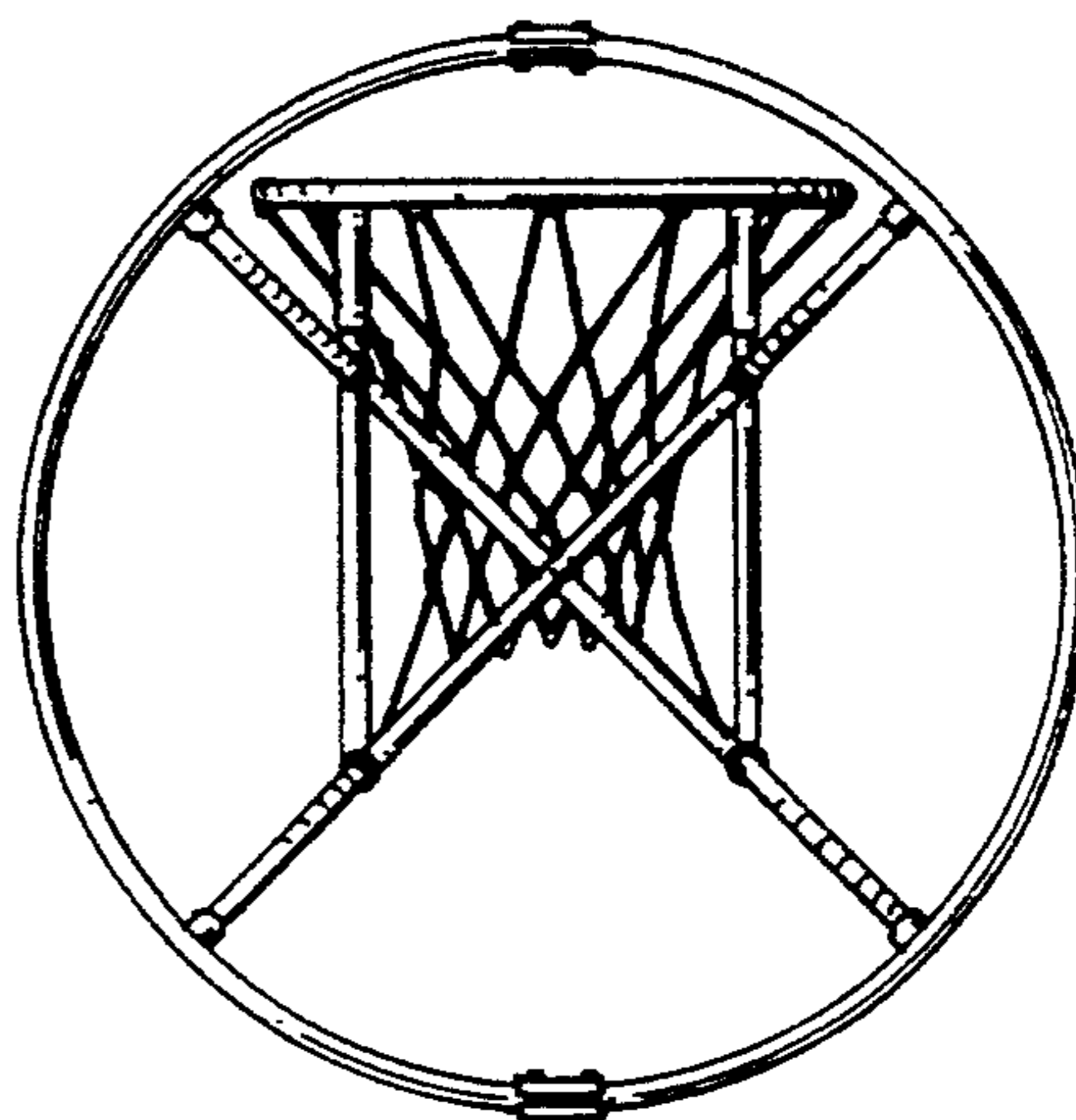


Fig. 6



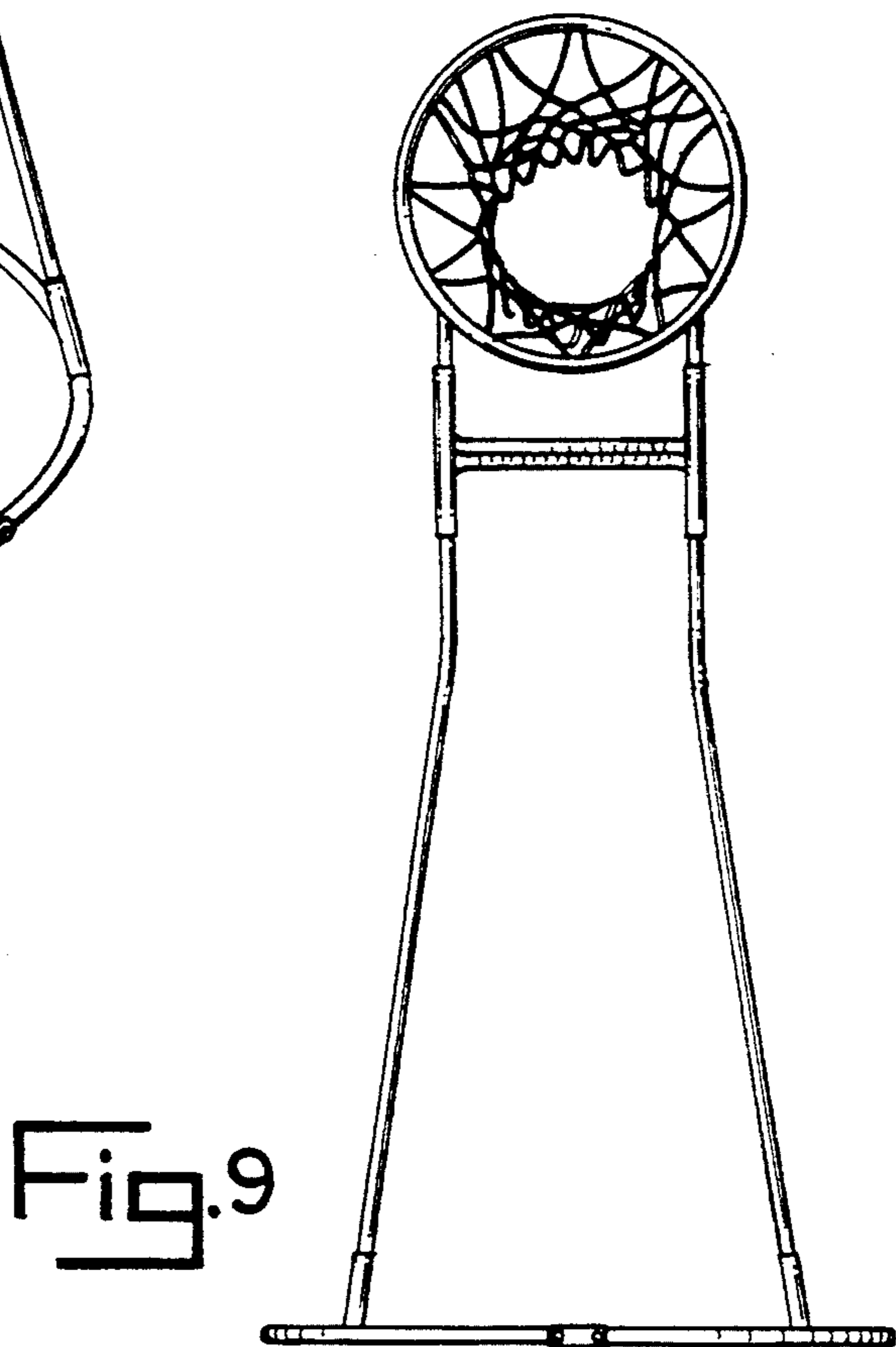
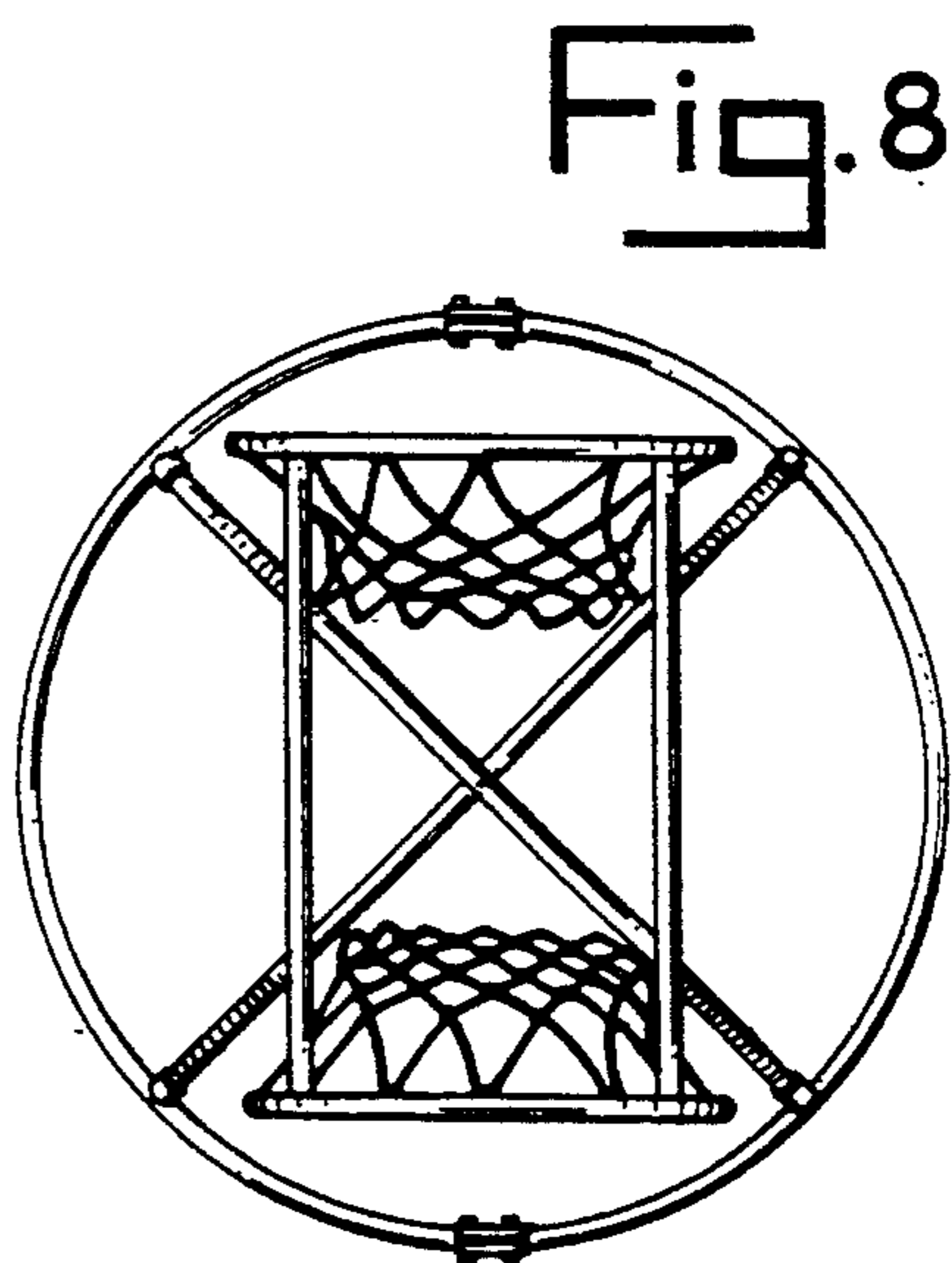
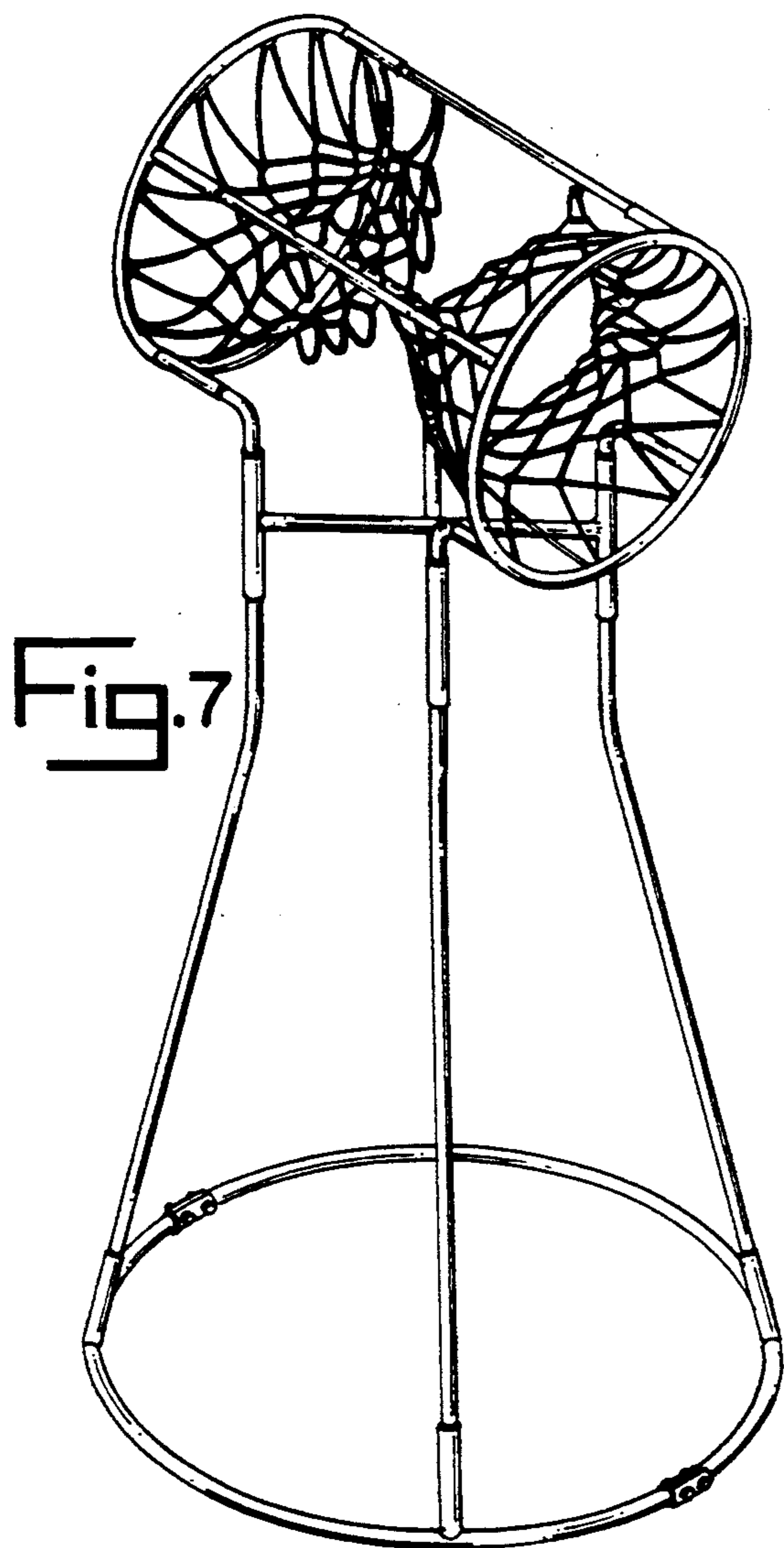


Fig. 10

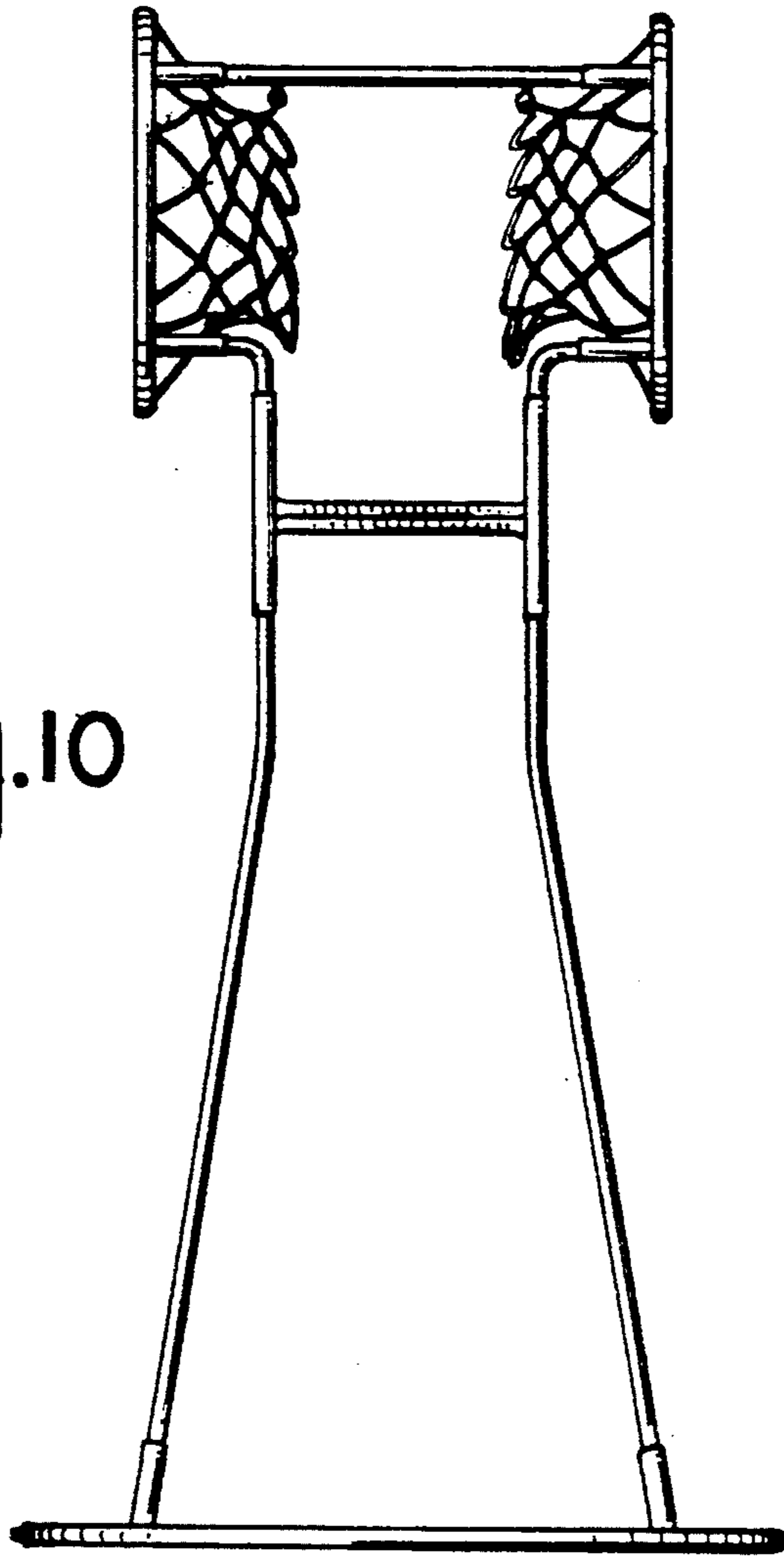
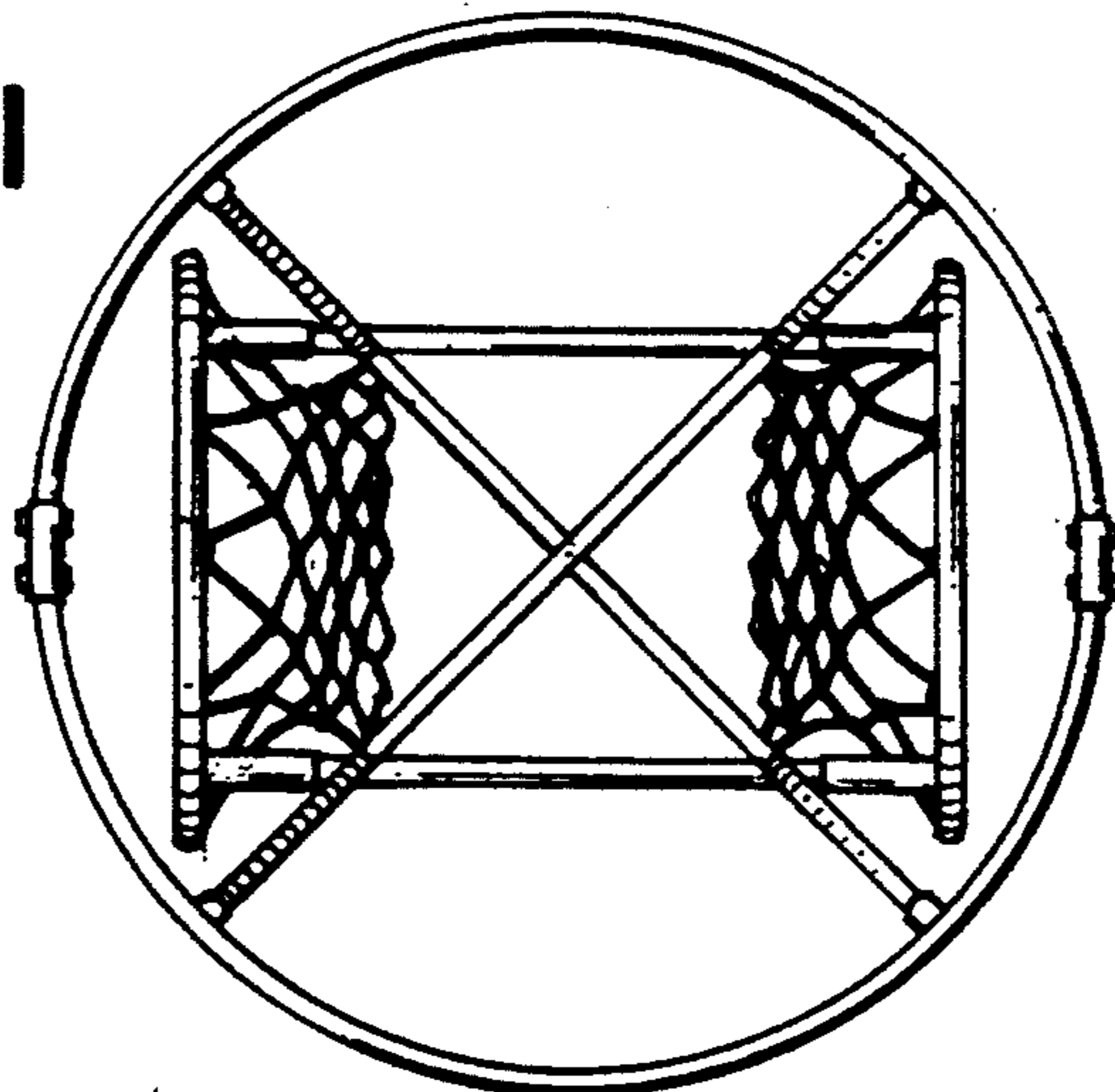


Fig. 11



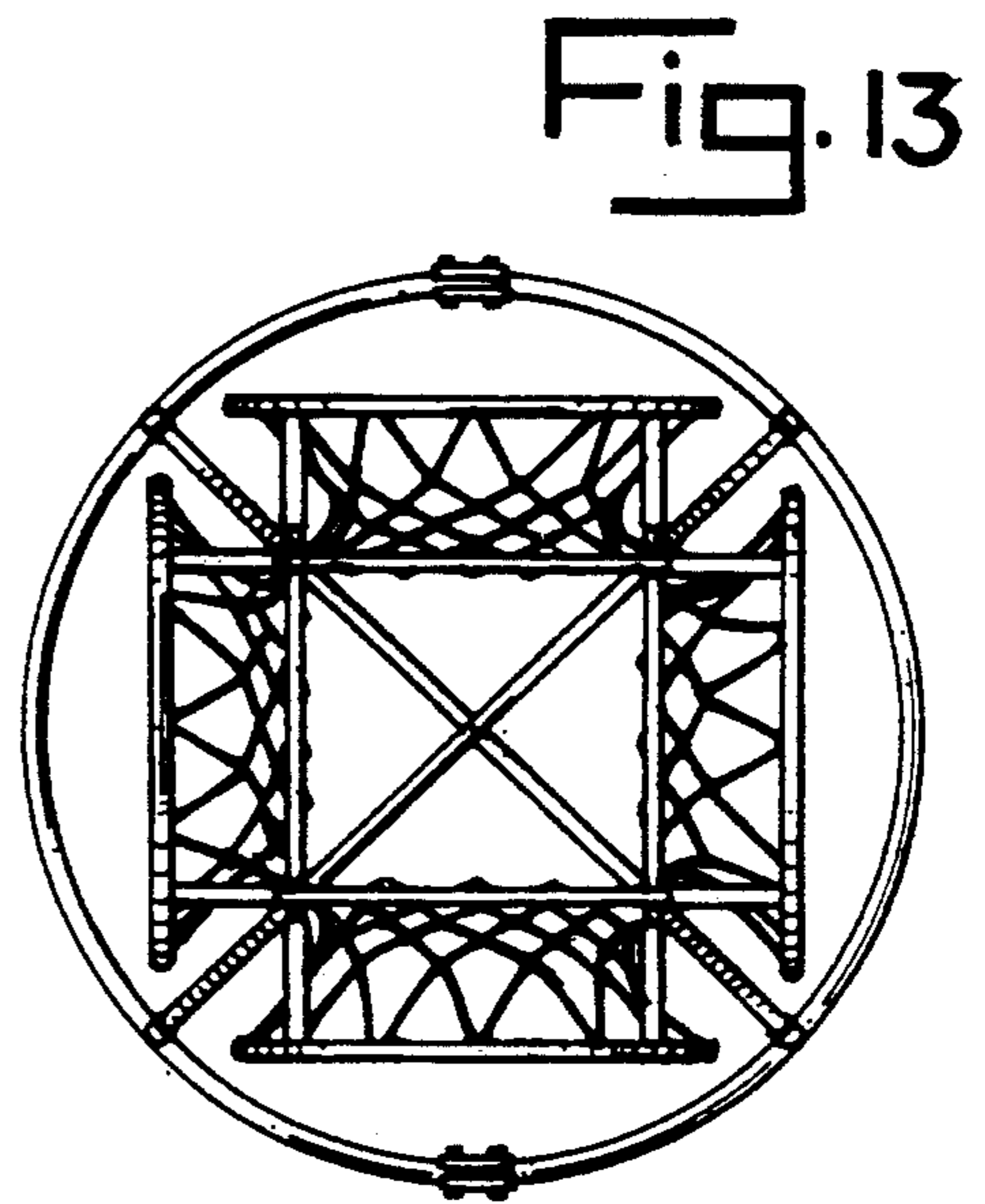
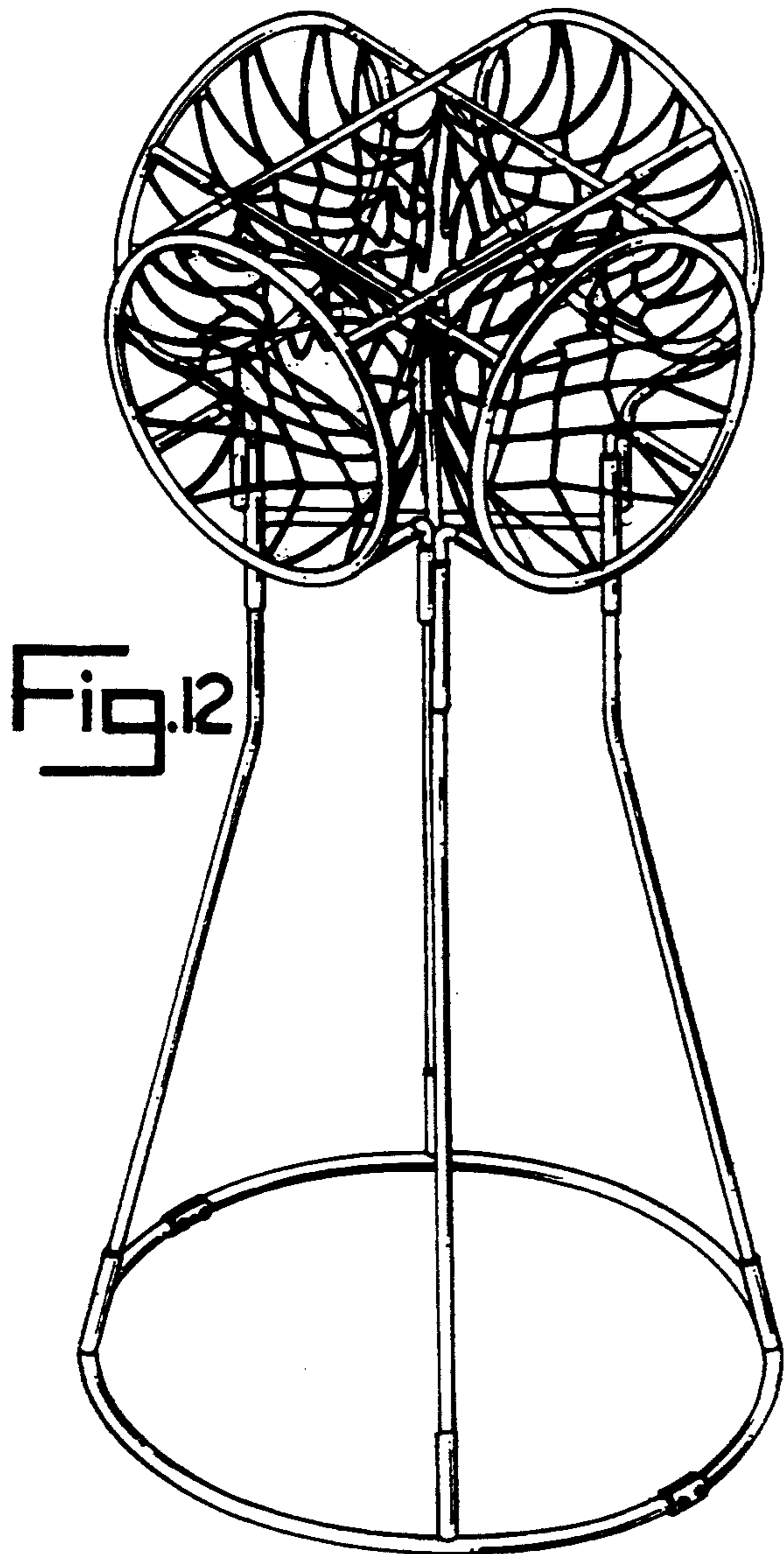
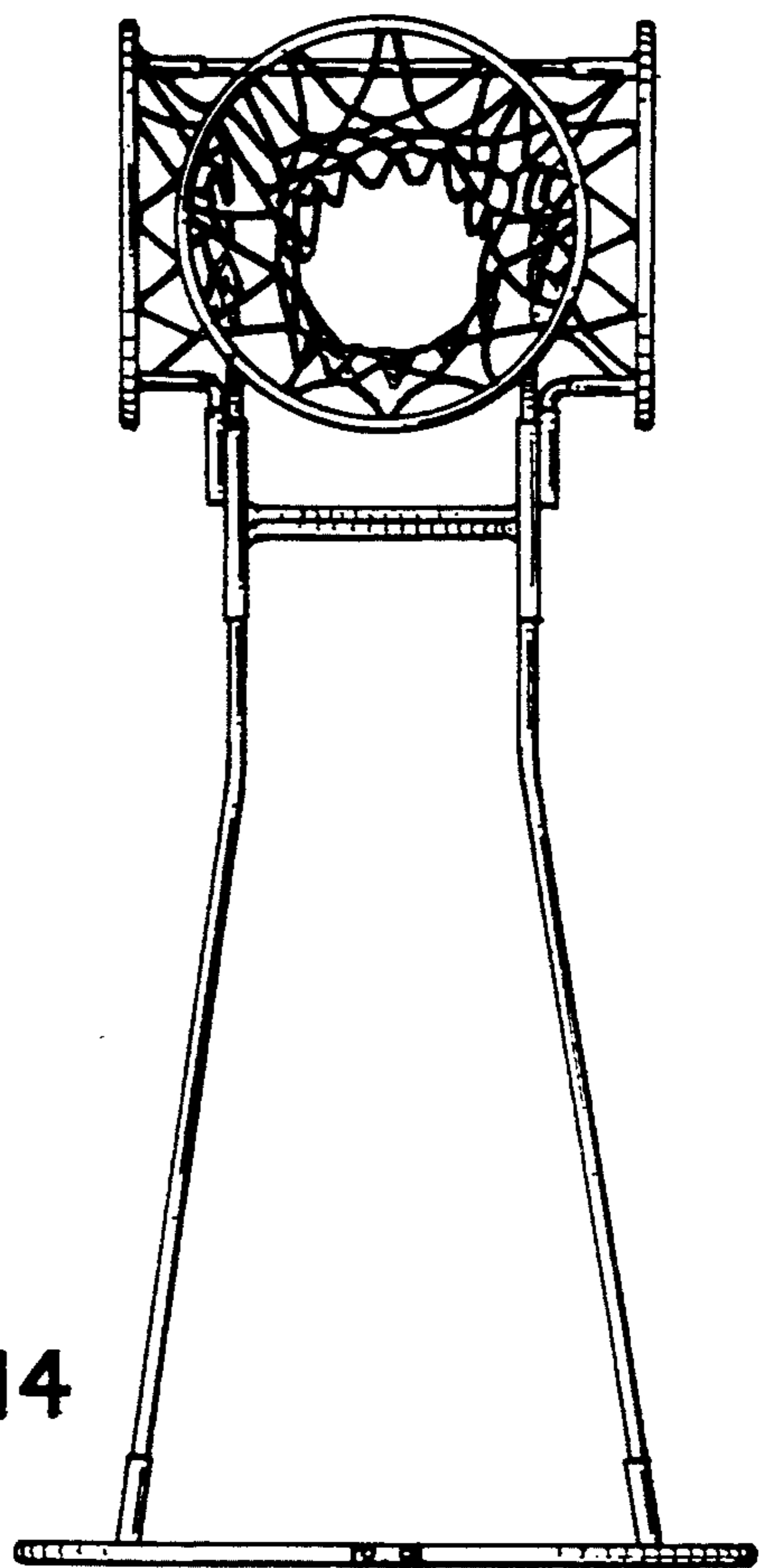


Fig. 14



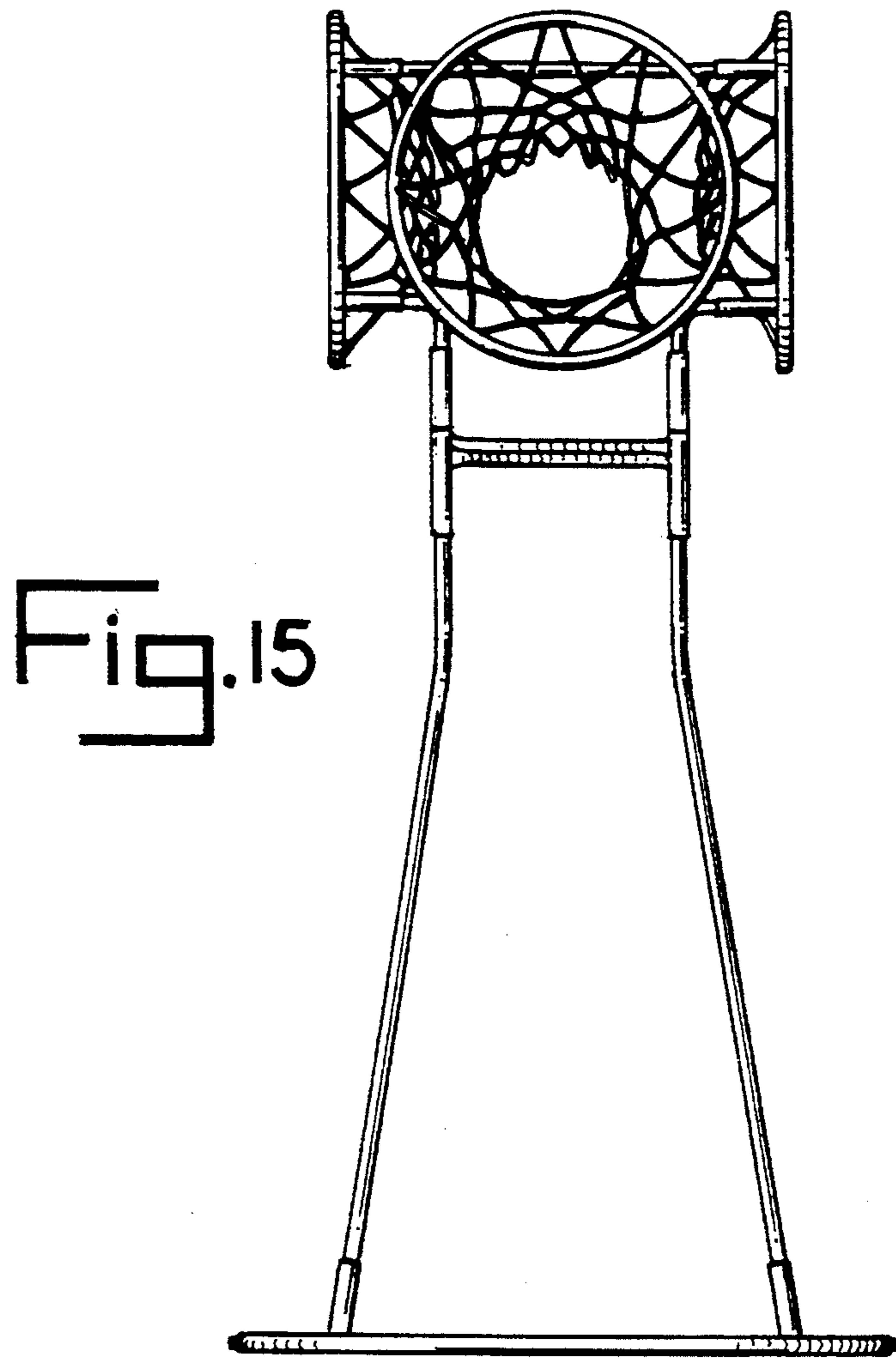


Fig. 15

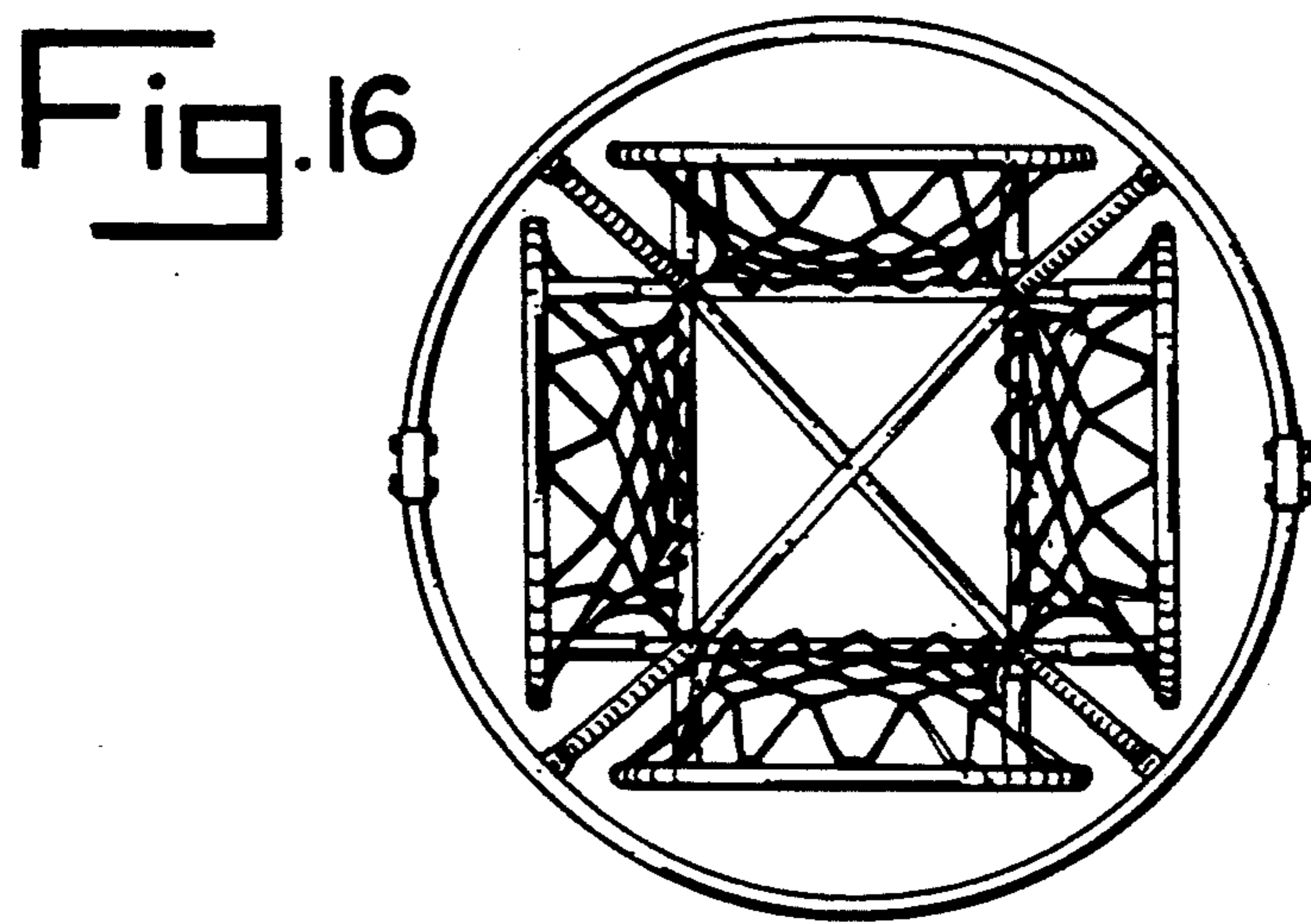


Fig. 16