



US00D349931S

United States Patent [19]

[11] Patent Number: **Des. 349,931**

Bostic et al.

[45] Date of Patent: **** Aug. 23, 1994**

[54] PHYSICAL EXERCISER

[75] Inventors: **James R. Bostic**, Watertown; **John S. Dreibelbis**, Shakopee, both of Minn.

[73] Assignee: **NordicTrack, Inc.**, Chaska, Minn.

[**] Term: **14 Years**

[21] Appl. No.: **936,534**

[22] Filed: **Aug. 26, 1992**

[52] U.S. Cl. **D21/193; D21/191**

[58] Field of Search **482/131, 146, 147, 148; D21/191, 193**

[56] References Cited

U.S. PATENT DOCUMENTS

3,784,193	1/1974	Simjian	272/68
4,026,279	5/1977	Simjian	482/147
4,390,180	6/1983	Simjian	482/131
4,391,441	7/1983	Simjian	482/131
4,505,476	3/1985	Rubin	482/147
4,638,996	1/1987	Simjian	482/147
4,930,771	6/1990	Wilson	482/147
4,953,858	9/1990	Zelli	272/146
4,976,425	12/1990	Barnes, Jr.	482/147
5,074,550	12/1991	Sloan	482/71

OTHER PUBLICATIONS

Copy of Page 6 from sales sell sheet on Fitness Master LT-35, Published prior to applicant's invention.

Copy of sales sell sheet on Sierra Model, by Fitness Master, Published prior to applicant's invention.

Copy of page from self care catalog, printed in late spring 1992, showing No-Sweat Waist Trimmer.

Primary Examiner—Bernard Ansher

Assistant Examiner—Philip Hyder

[57] CLAIM

The ornamental design for a physical exerciser, as shown and described.

DESCRIPTION

FIG. 1 is a perspective view of a physical exerciser, according to the claimed design;

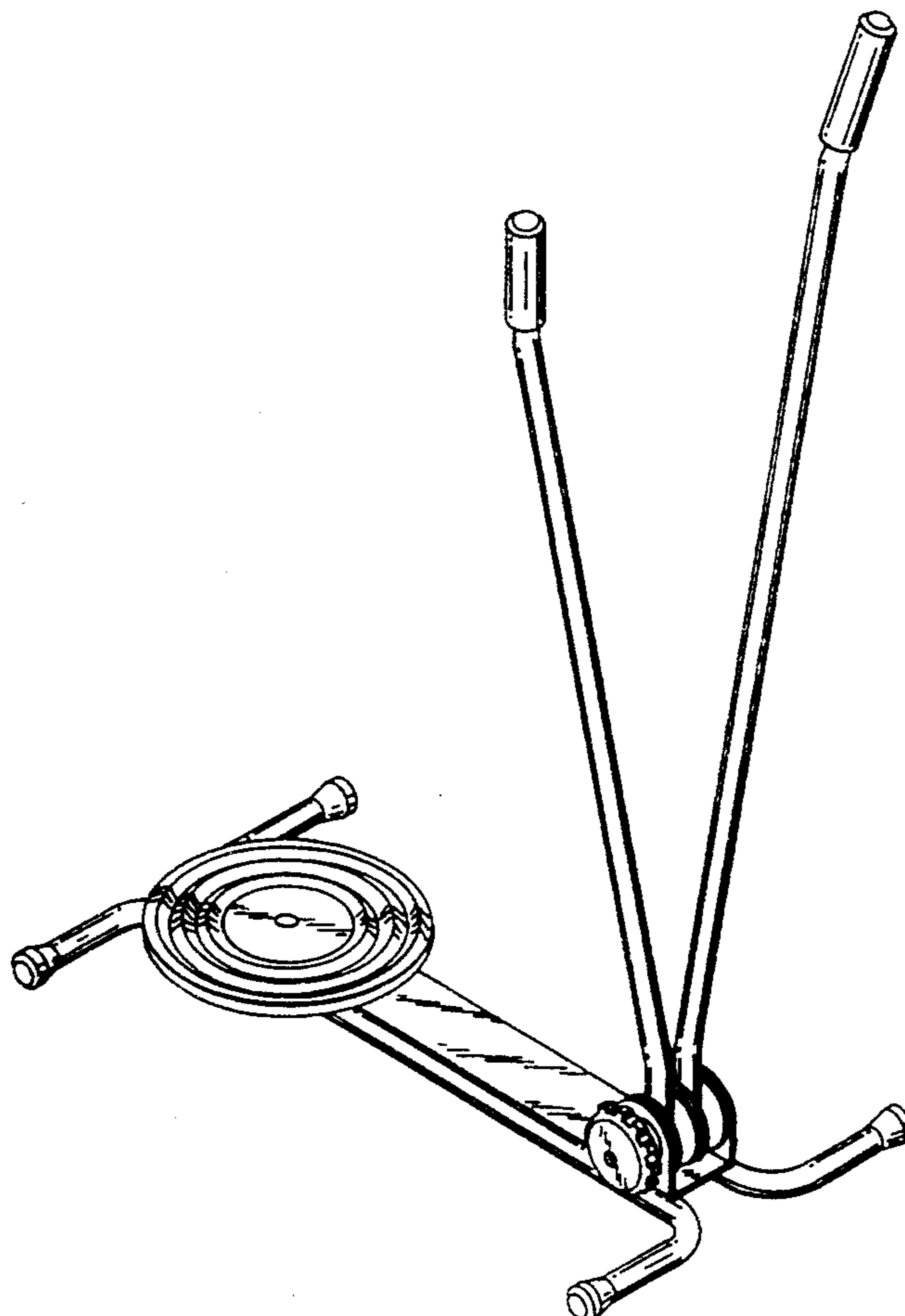
FIG. 2 is a top view of the physical exerciser of FIG. 1;

FIG. 3 is a right side view of the physical exerciser of FIG. 1;

FIG. 4 is a left side elevational view of the physical exerciser of FIG. 1;

FIG. 5 is a rear elevational view of the physical exerciser of FIG. 1; and,

FIG. 6 is a bottom view of the physical exerciser of FIG. 1.



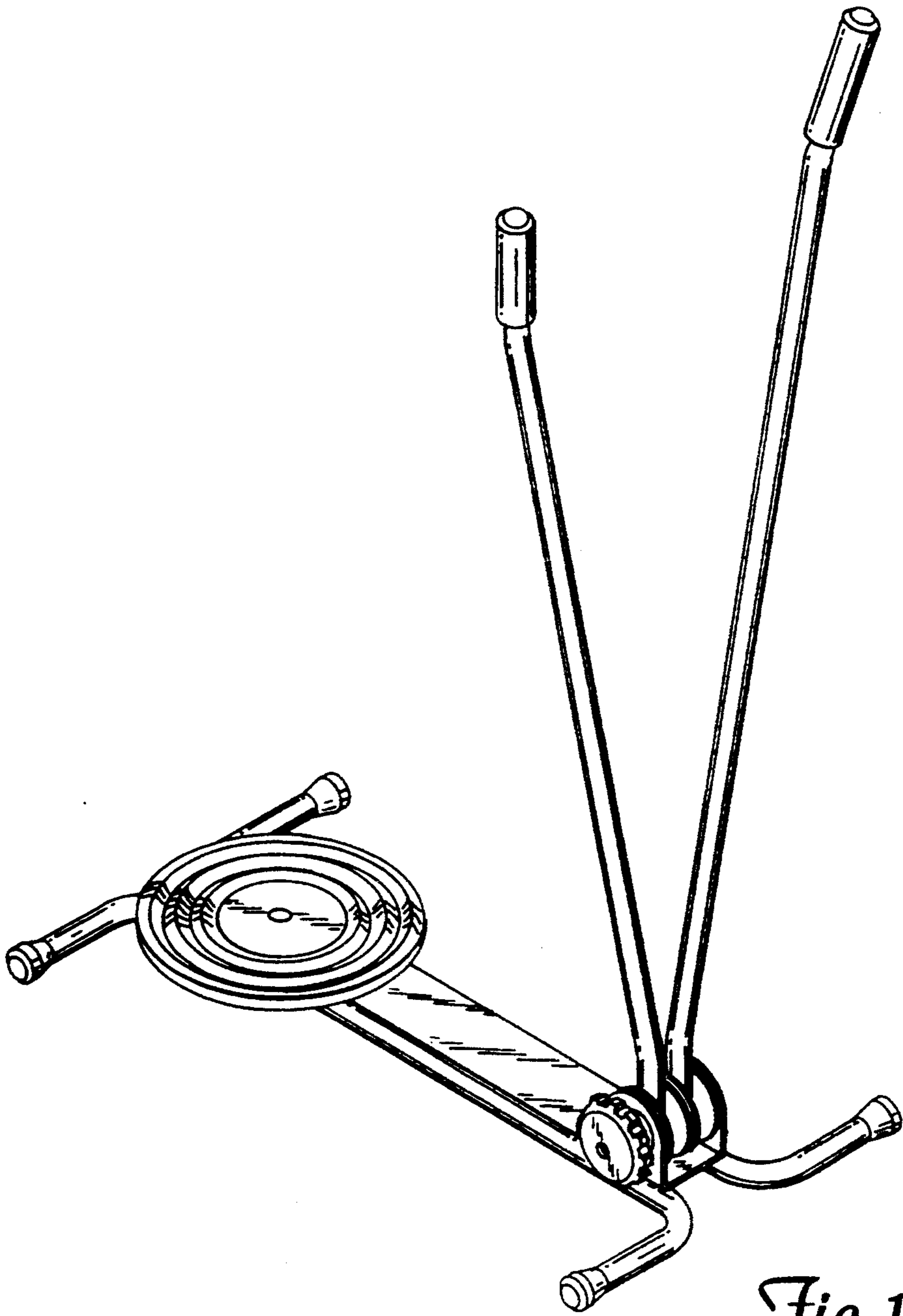


Fig. 1

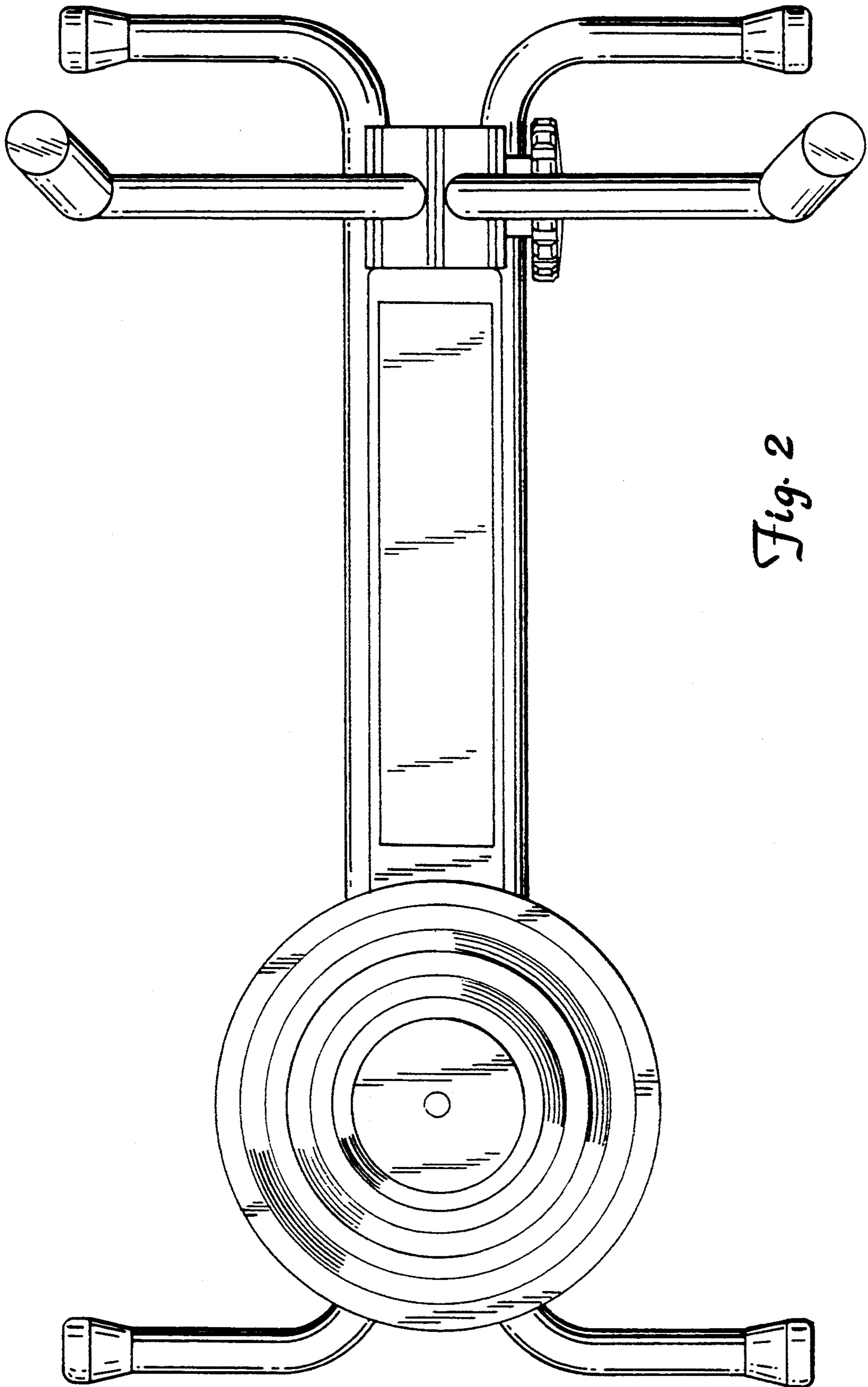


Fig. 2

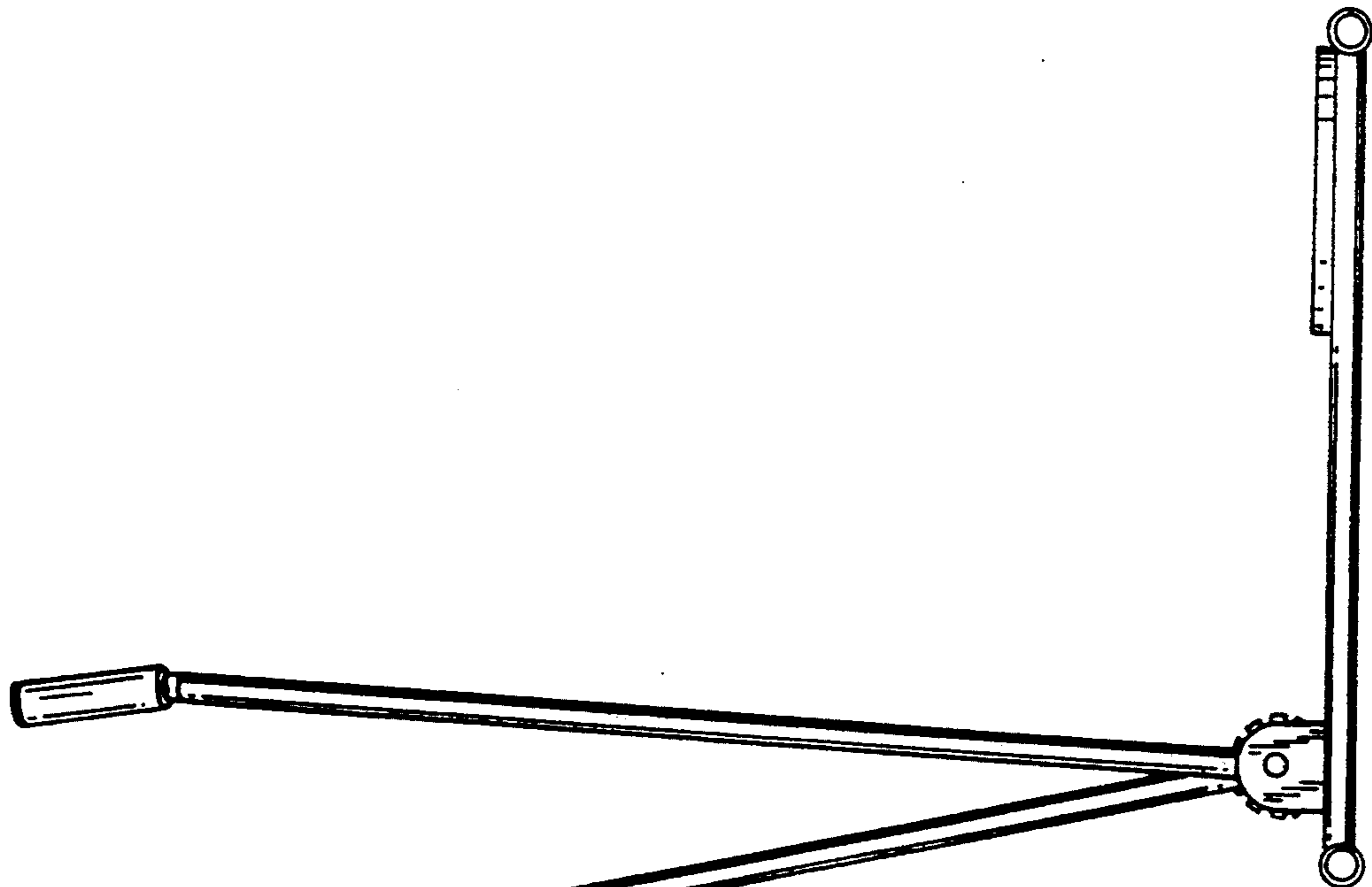


Fig. 4

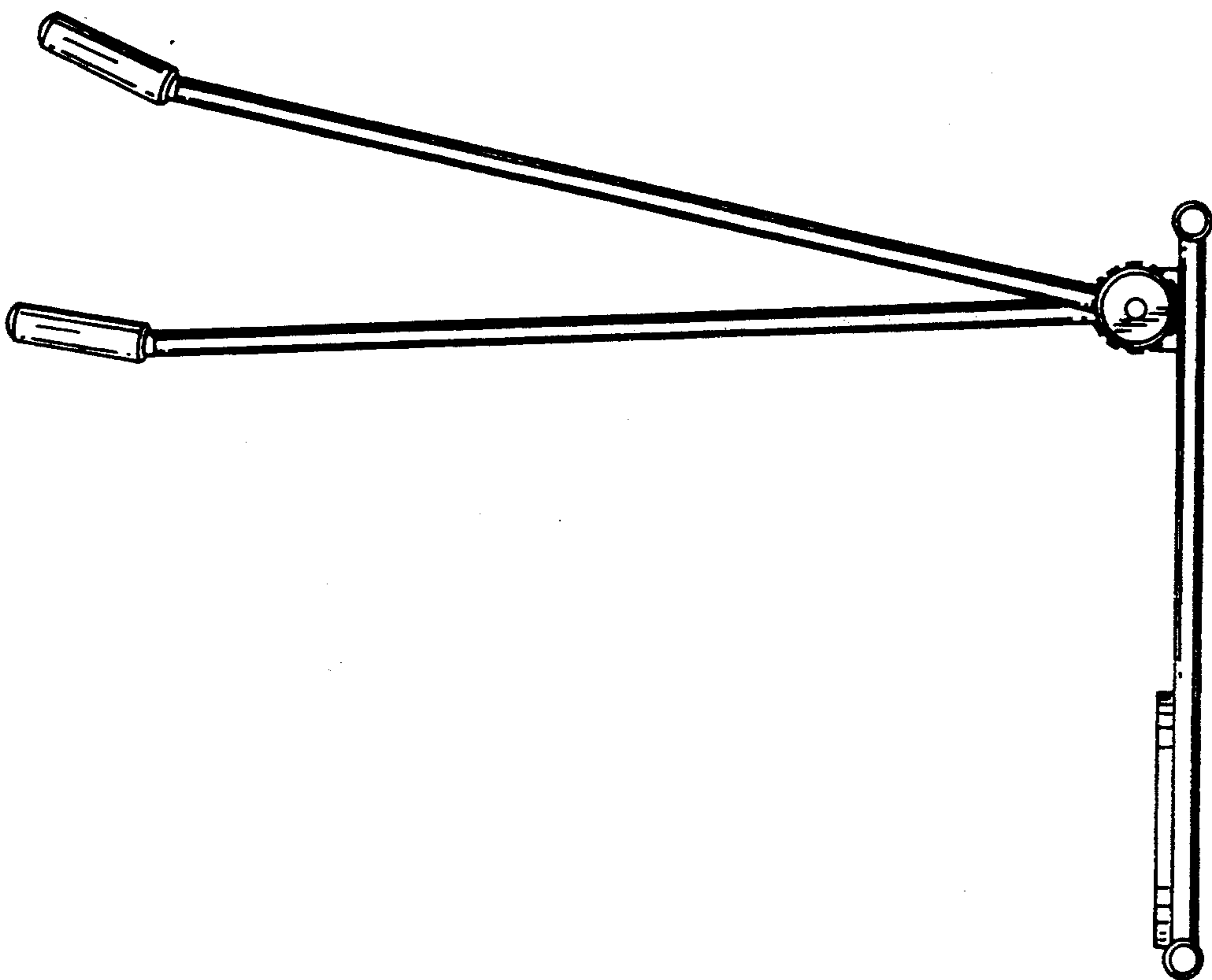


Fig. 3

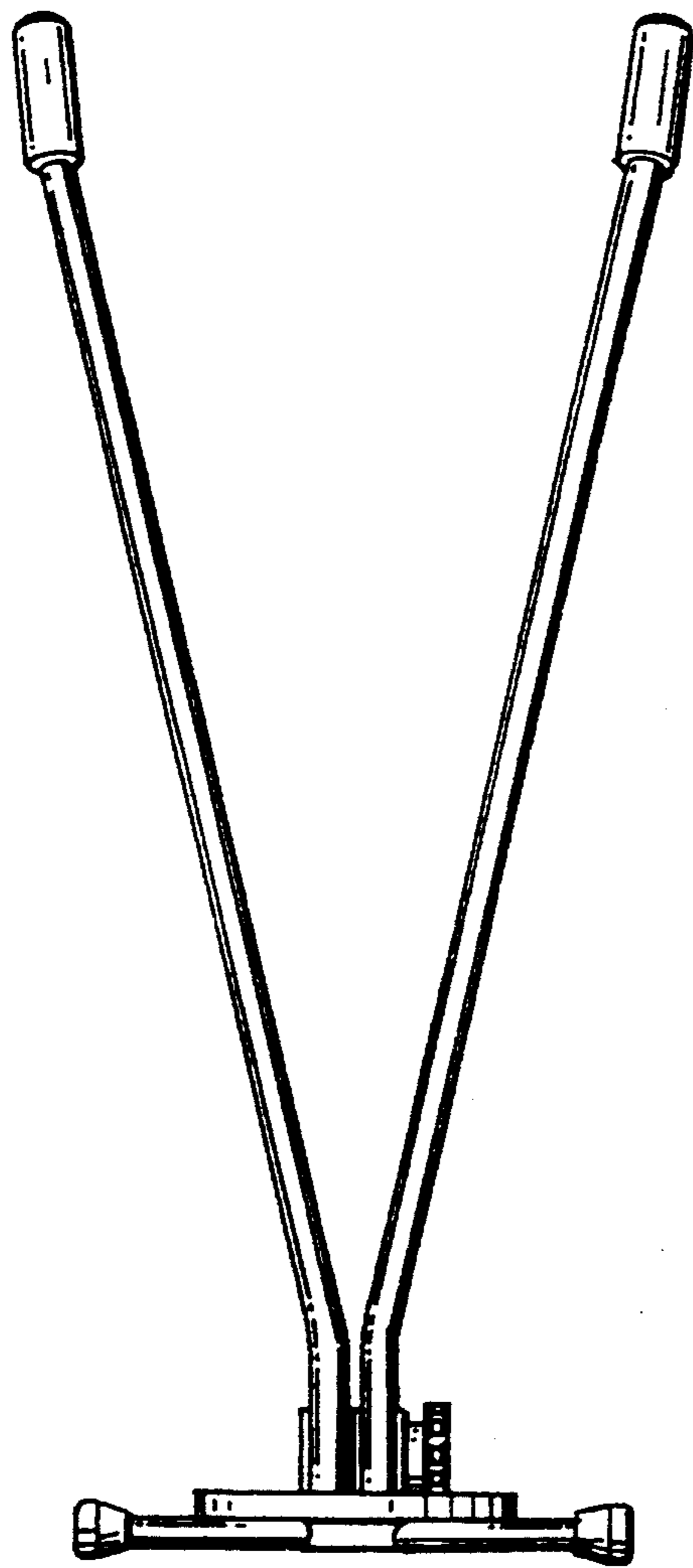


Fig. 5

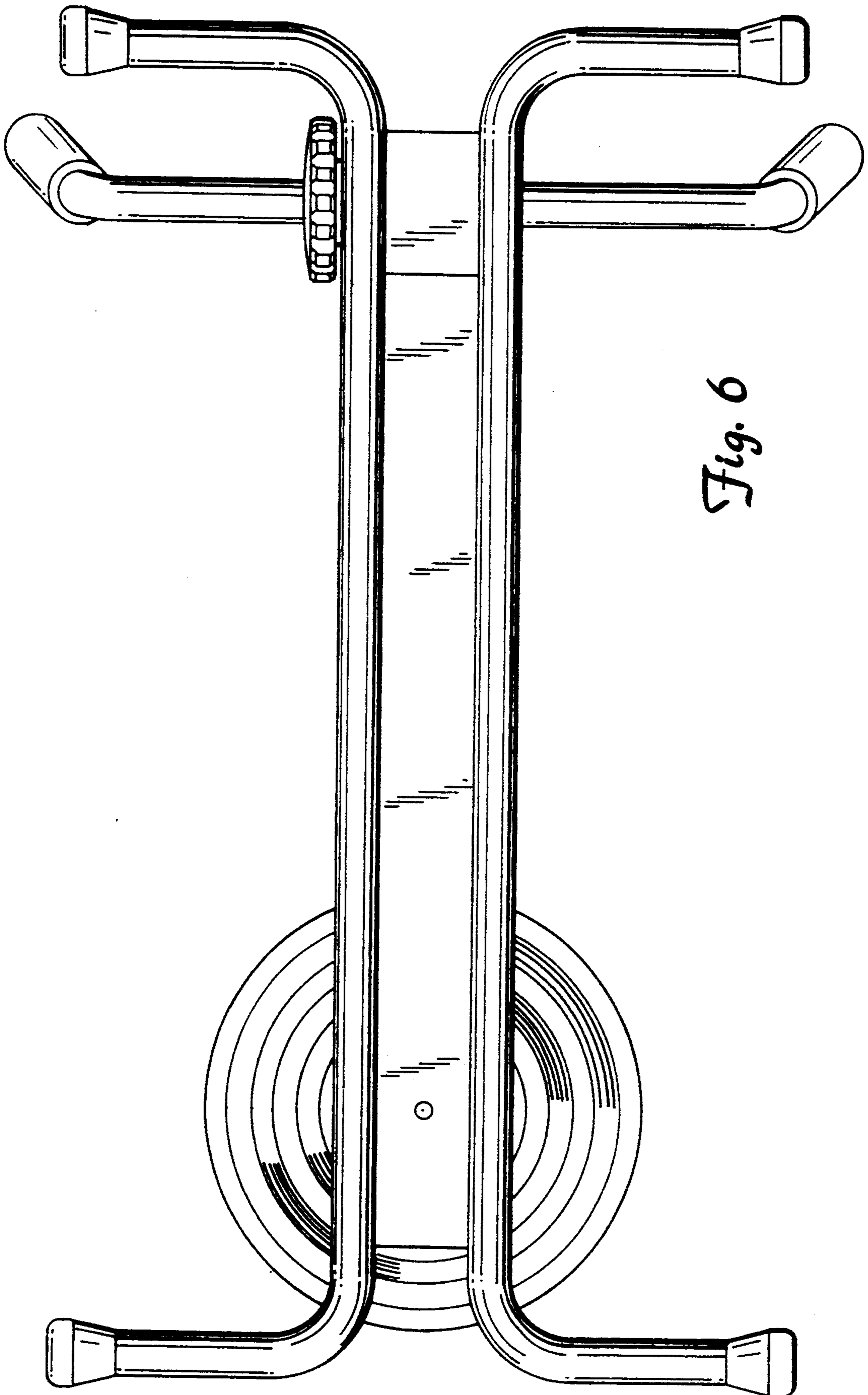


Fig. 6