



US00D349929S

# United States Patent [19]

[11] Patent Number: **Des. 349,929**

Lee

[45] Date of Patent: **\*\* Aug. 23, 1994**

[54] **ELECTRONIC GAME HOUSING**

[75] Inventor: **Siu Y. Lee, Tsuen Wan, Hong Kong**

[73] Assignee: **Timlex International Ltd., Hong Kong**

[\*\*] Term: **14 Years**

[21] Appl. No.: **8,818**

[22] Filed: **May 27, 1993**

D. 329,470 9/1992 Kaneko ..... D21/13  
 D. 342,762 12/1993 Wine ..... D21/48  
 4,285,517 8/1981 Morrison ..... 273/433 X  
 5,213,327 5/1993 Kitau ..... 273/434 X

### OTHER PUBLICATIONS

Hongkong Enterprise, Oct. 1990, p. 810 Item #9098.  
*Primary Examiner*—Prabhakar G. Deshmukh  
*Attorney, Agent, or Firm*—Samuels, Gauthier & Stevens

[30] **Foreign Application Priority Data**

Dec. 4, 1992 [GB] United Kingdom ..... 2027573

[52] U.S. Cl. .... **D21/13**

[58] **Field of Search** ..... 273/148 B, 433-438,  
 273/DIG. 28; D21/13, 48, 1; D14/125, 126,  
 114

### [57] CLAIM

The ornamental design for a electronic game housing, as shown and described.

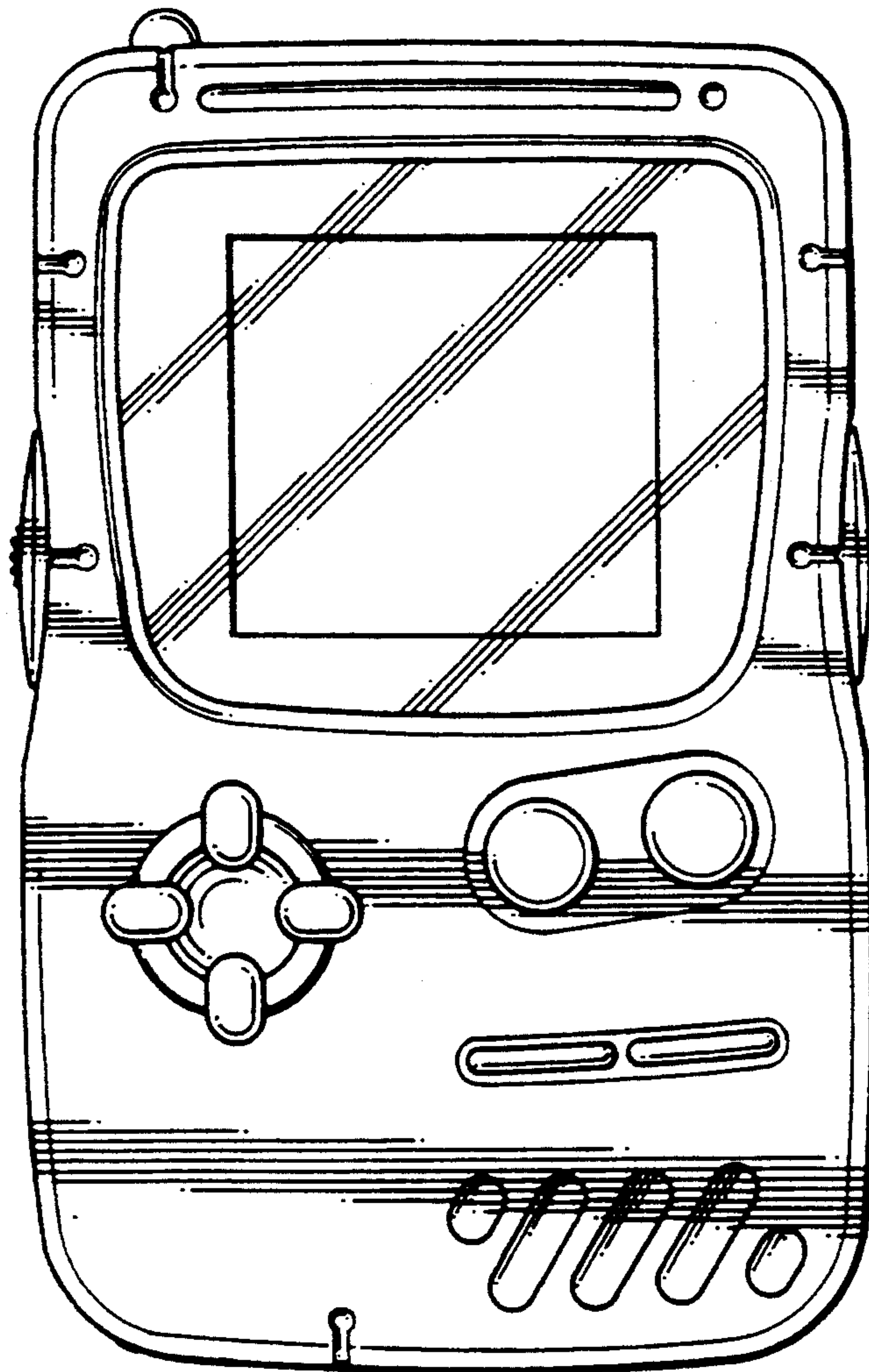
### DESCRIPTION

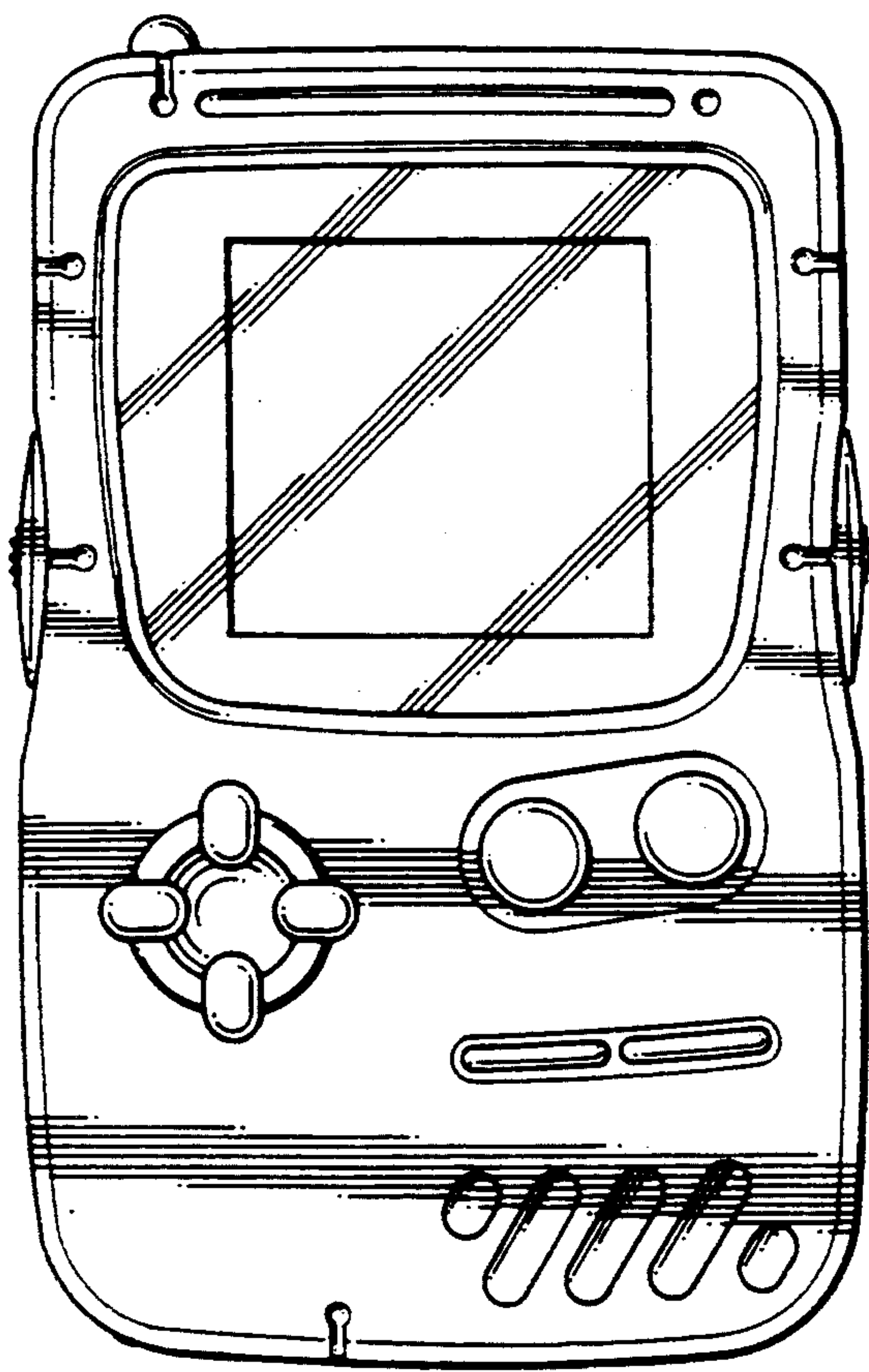
FIG. 1 is the front elevational view of a electronic game housing showing my new design;  
 FIG. 2 is a rear elevational view thereof;  
 FIG. 3 is the left side view thereof;  
 FIG. 4 is the right side view thereof;  
 FIG. 5 is the top plan view thereof; and,  
 FIG. 6 is the bottom view thereof.

[56] **References Cited**

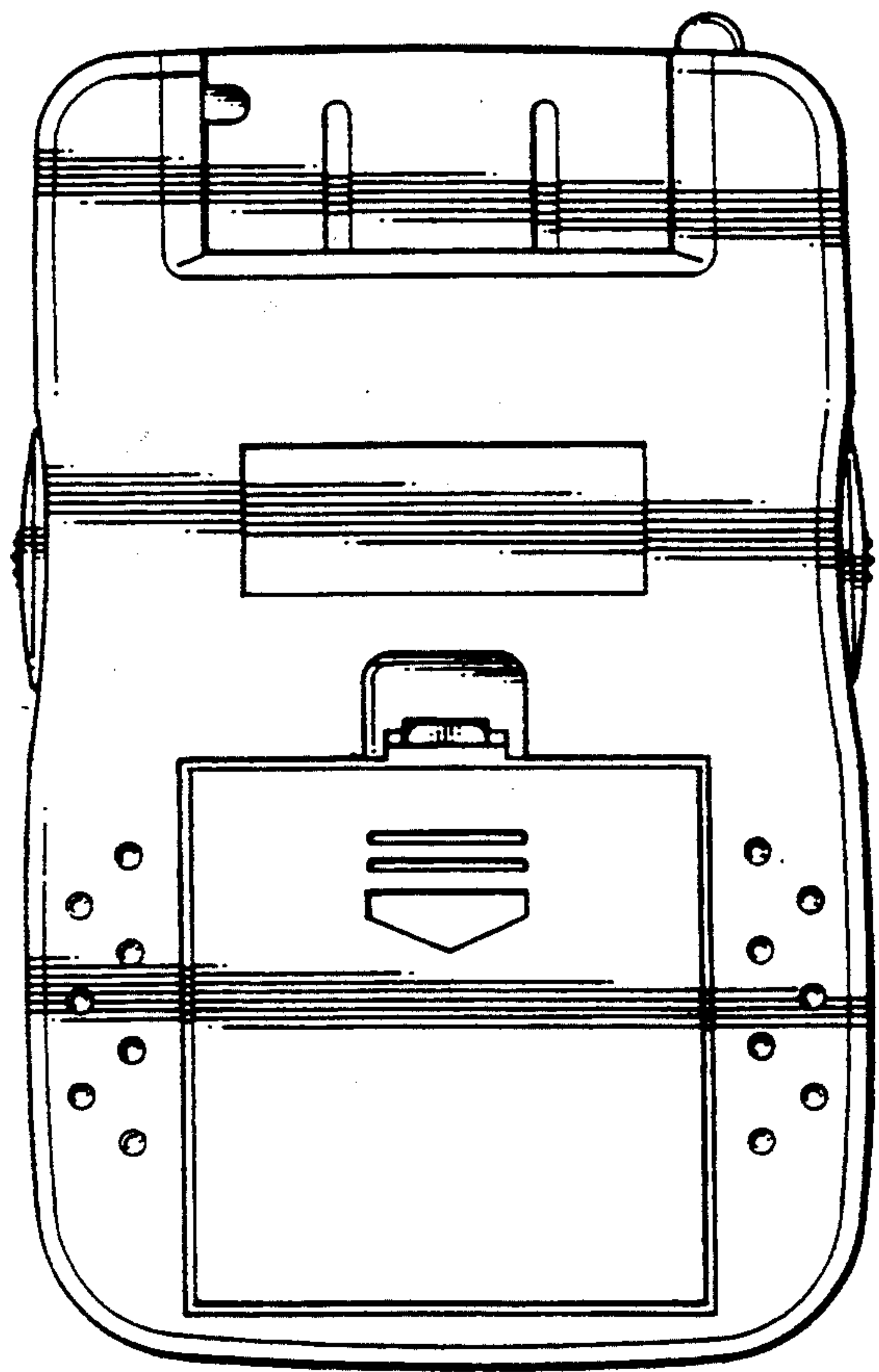
**U.S. PATENT DOCUMENTS**

D. 318,884 8/1991 Kojo ..... D21/13

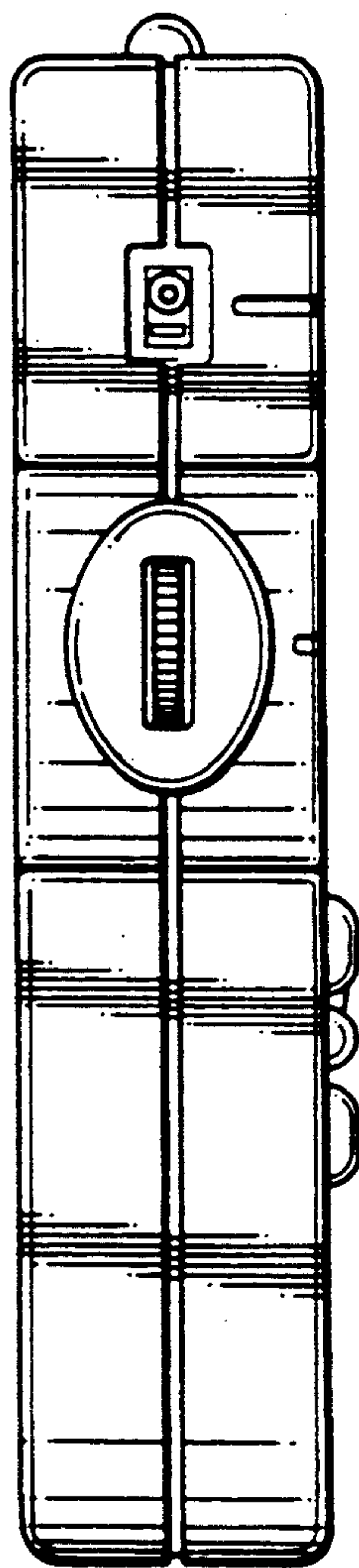




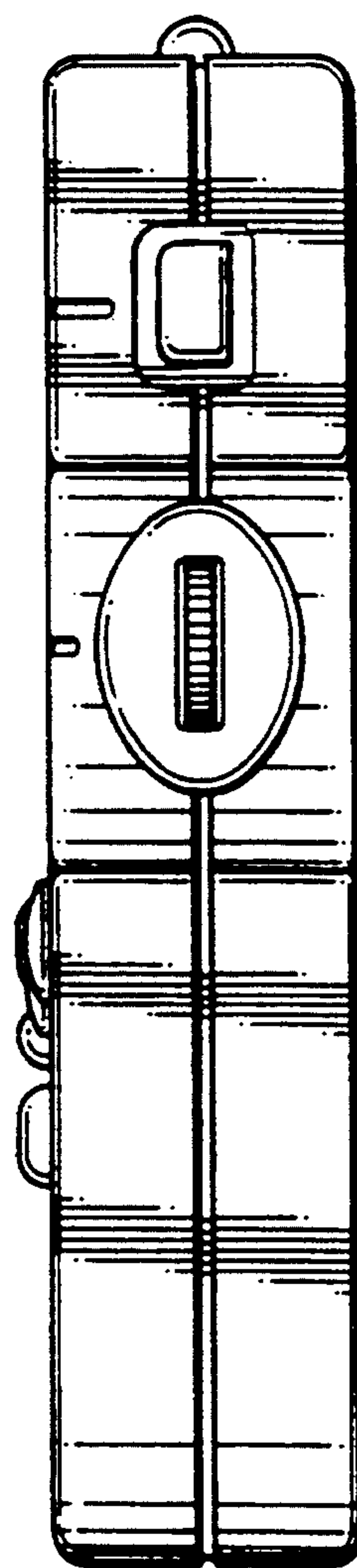
*FIG. 1*



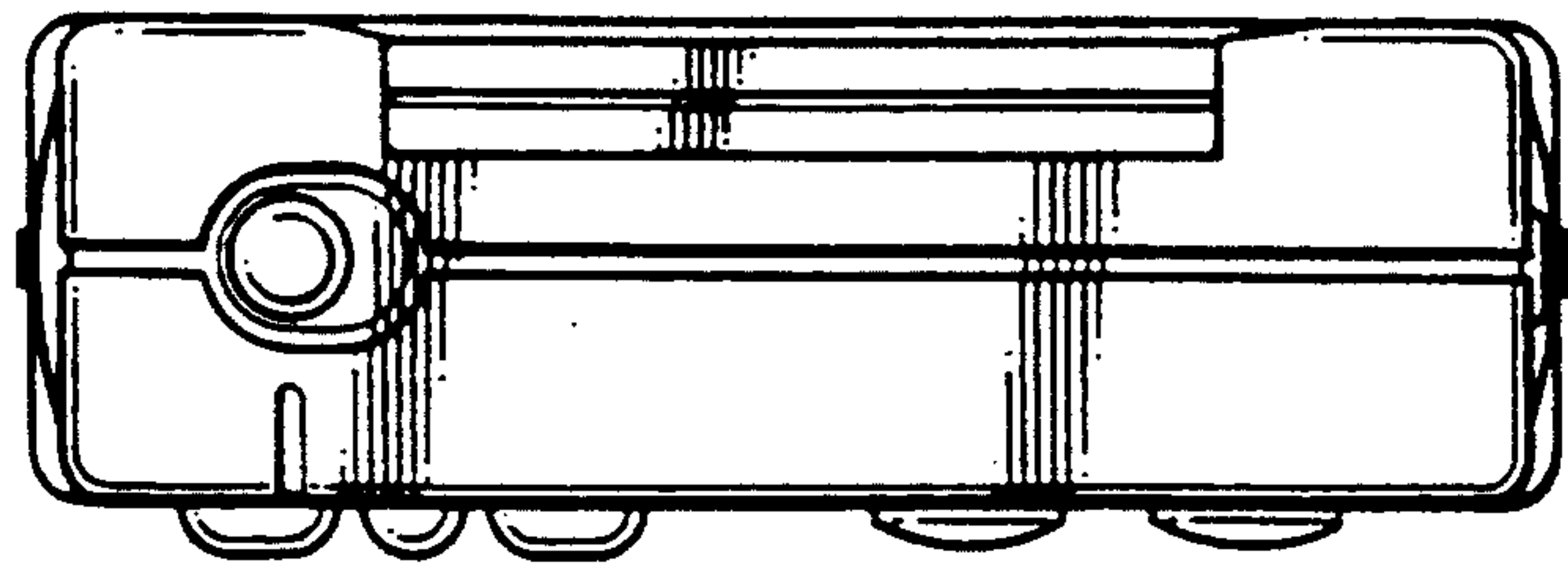
*FIG. 2*



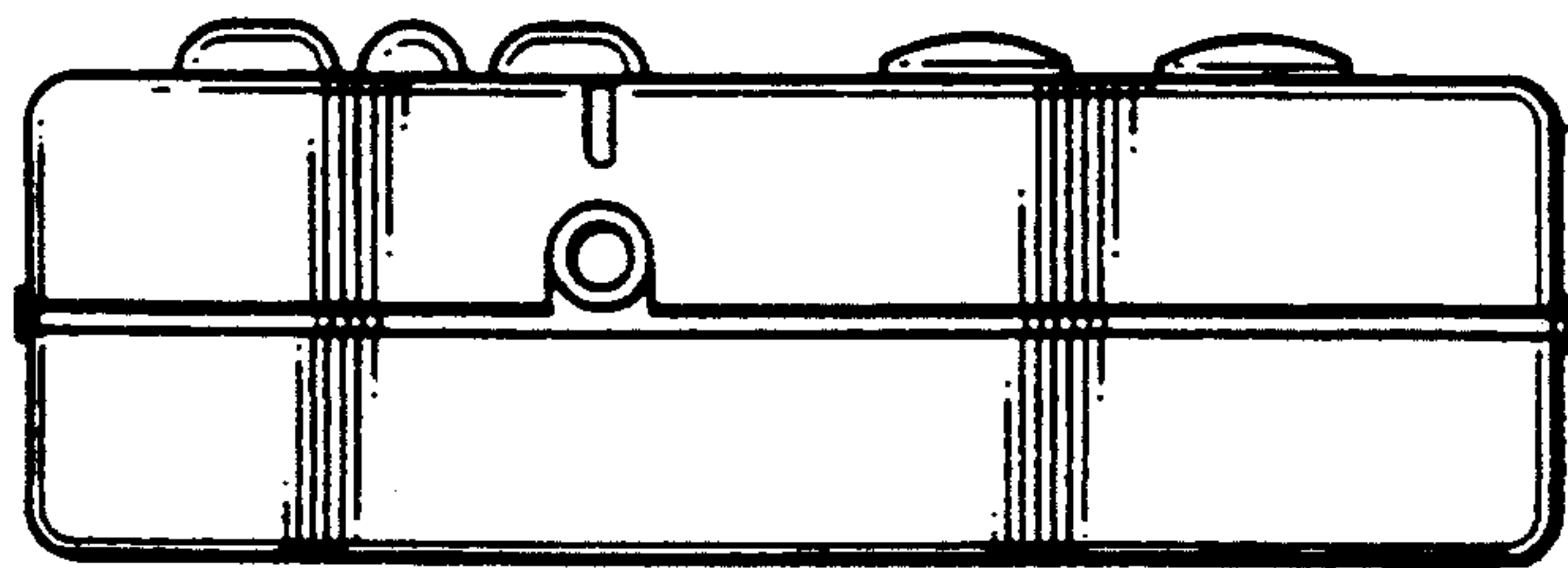
*FIG. 3*



*FIG. 4*



*FIG. 5*



*FIG. 6*