



US00D349927S

United States Patent [19]

[11] Patent Number: **Des. 349,927**

Orsos

[45] Date of Patent: **** Aug. 23, 1994**

[54] **NAME PLATE HOLDER**

[76] Inventor: **Nicholas M. Orsos, Balassi B.U. 25.II 1/A, 1055 Budapest, Hungary**

[**] Term: **14 Years**

[21] Appl. No.: **8,973**

[22] Filed: **May 28, 1993**

[52] U.S. Cl. **D20/43**

[58] Field of Search 40/1, 1.6, 5, 124, 124.1, 40/124.2, 124.4, 299, 637, 641, 642, 644, 649, 658; D20/10, 22, 23, 27, 28, 40, 42, 43, 44

[56] **References Cited**

U.S. PATENT DOCUMENTS

D. 150,466	8/1948	Schuler	D20/44
D. 190,361	5/1961	Hopp	D20/44
D. 199,354	10/1964	Beale	D20/44
D. 202,759	11/1965	Fisher	D20/44
D. 220,071	3/1971	LeVett, Jr.	D20/43
D. 273,596	4/1984	Waldecrantz	D20/44
4,334,372	6/1982	Colman	40/5

OTHER PUBLICATIONS

Dimeprint Product Catalog 1992, p. 35.

Primary Examiner—Wallace R. Burke

Assistant Examiner—Marcus Jackson

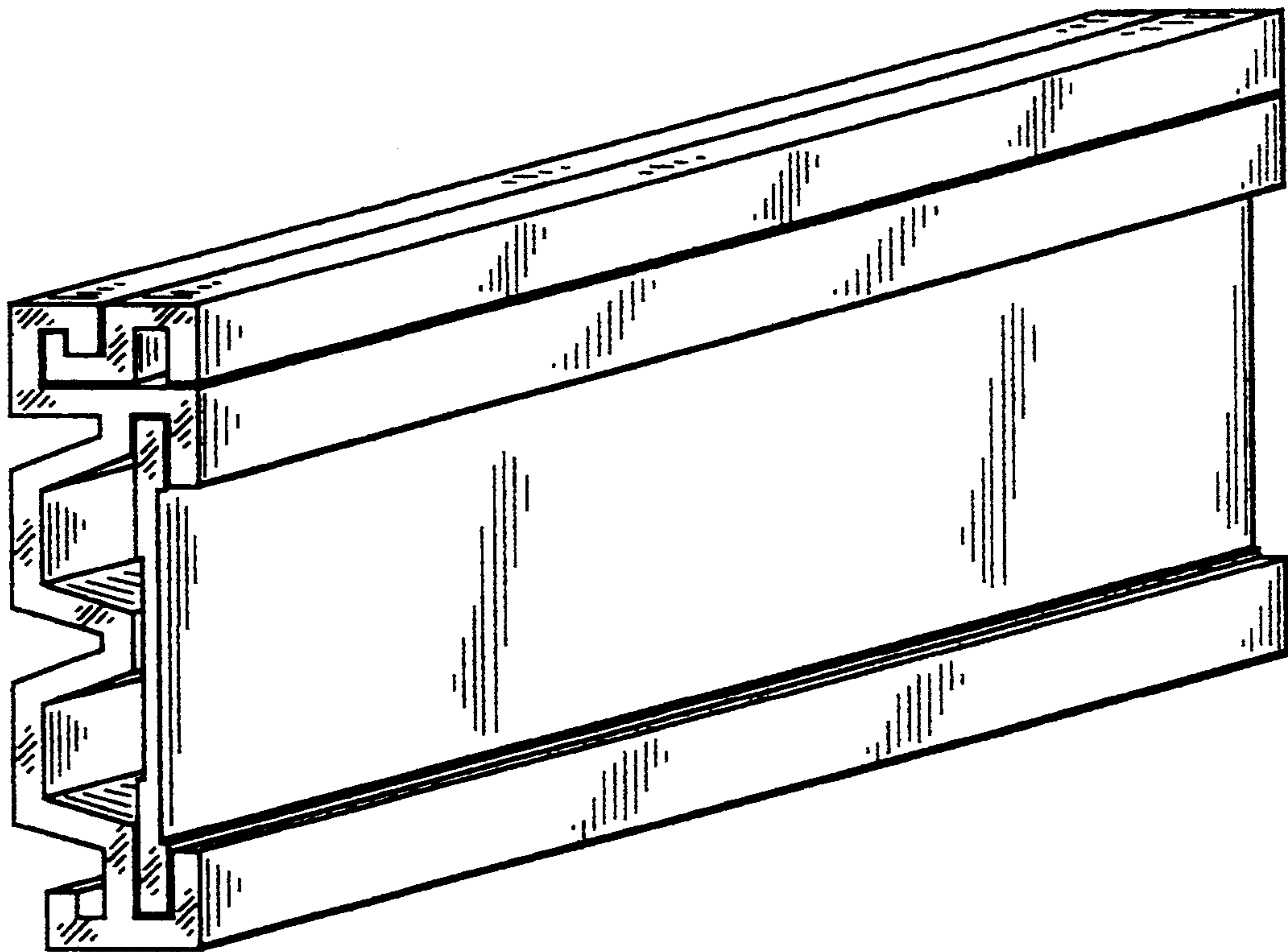
Attorney, Agent, or Firm—Fulwider Patton Lee & Utecht

[57] **CLAIM**

The ornamental design for a name plate holder, as shown and described.

DESCRIPTION

FIG. 1 is a first side elevational view of a name plate holder showing my new design;
 FIG. 2 is a front elevational view thereof;
 FIG. 3 is a second side elevational view thereof;
 FIG. 4 is a rear elevational view thereof;
 FIG. 5 is a top plan view thereof;
 FIG. 6 is a bottom plan view thereof;
 FIG. 7 is a front perspective view thereof; and,
 FIG. 8 is a perspective view thereof, with the broken lines shown for illustrative purposes only and forming no part of the claimed design.



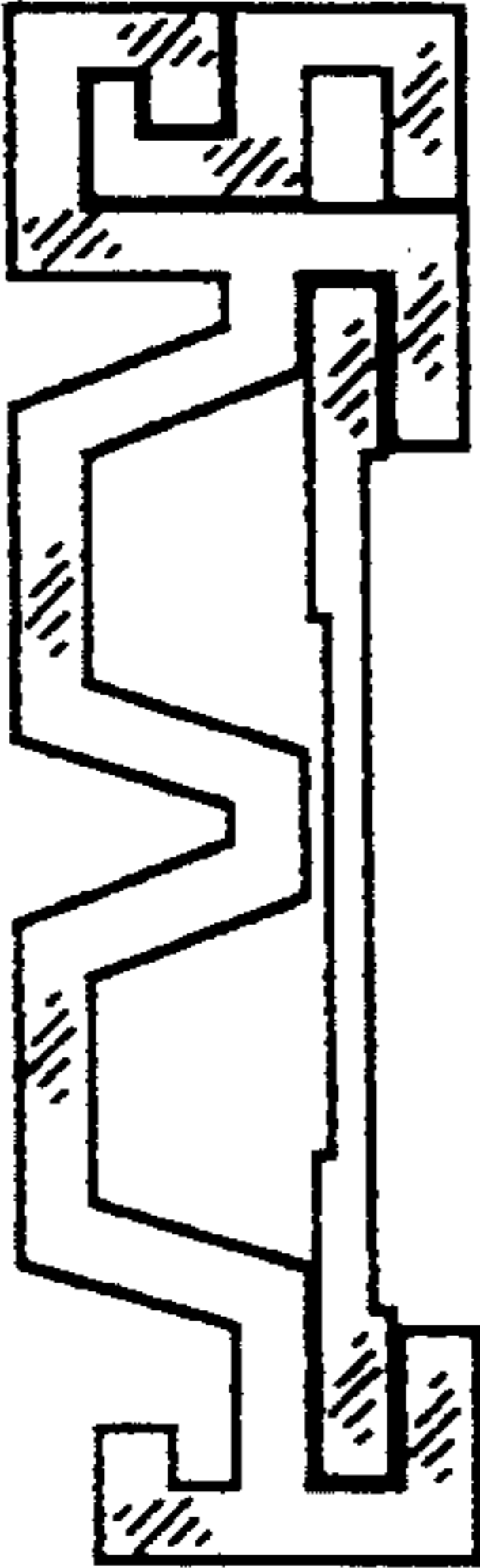


FIG. 1

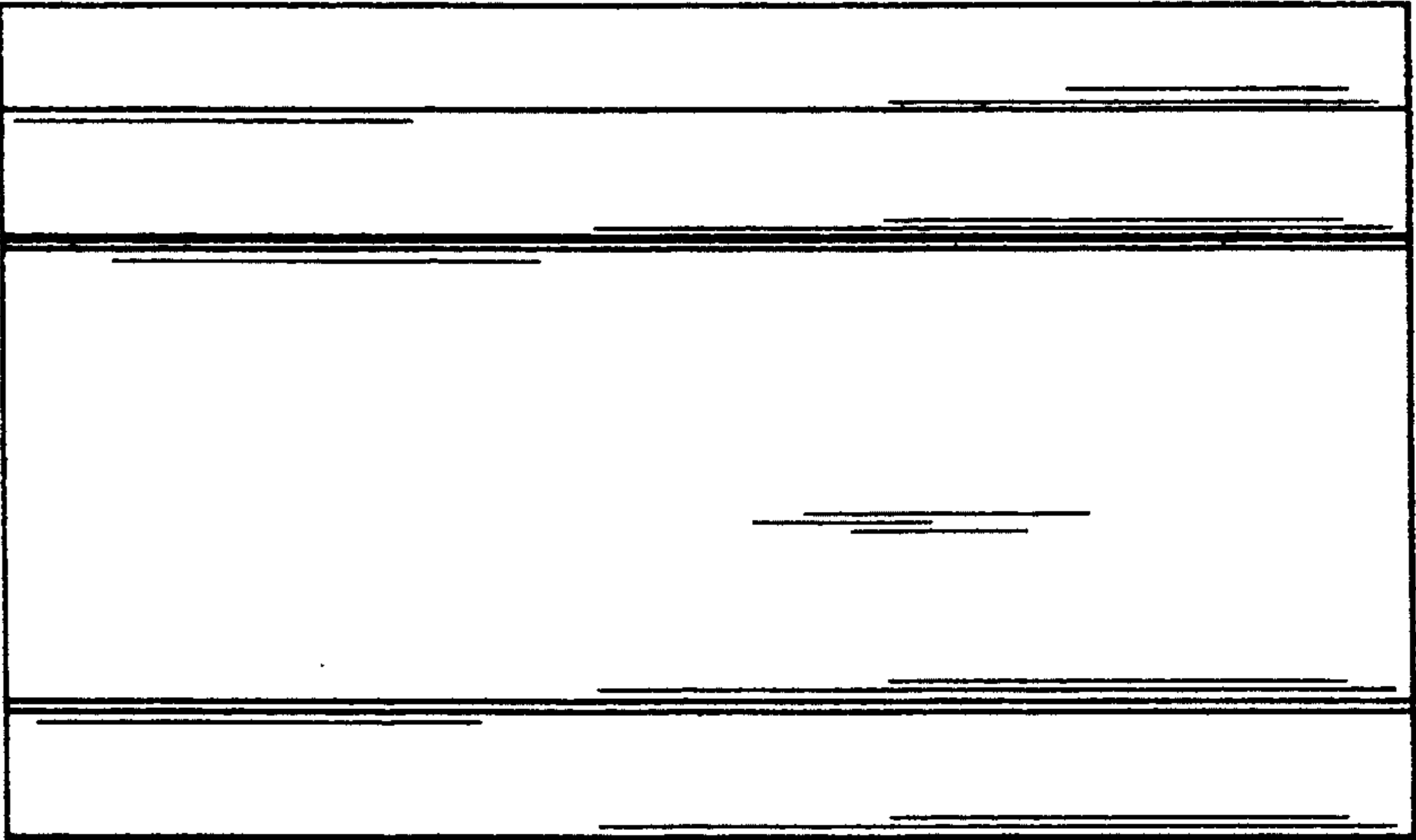


FIG. 2

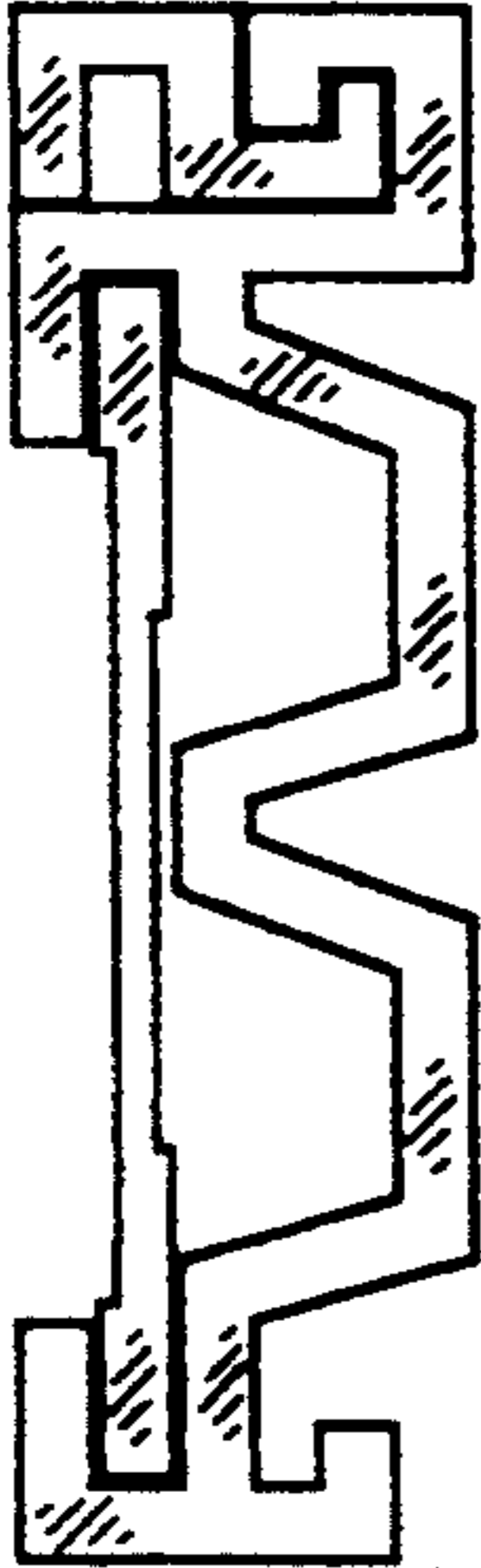


FIG. 3

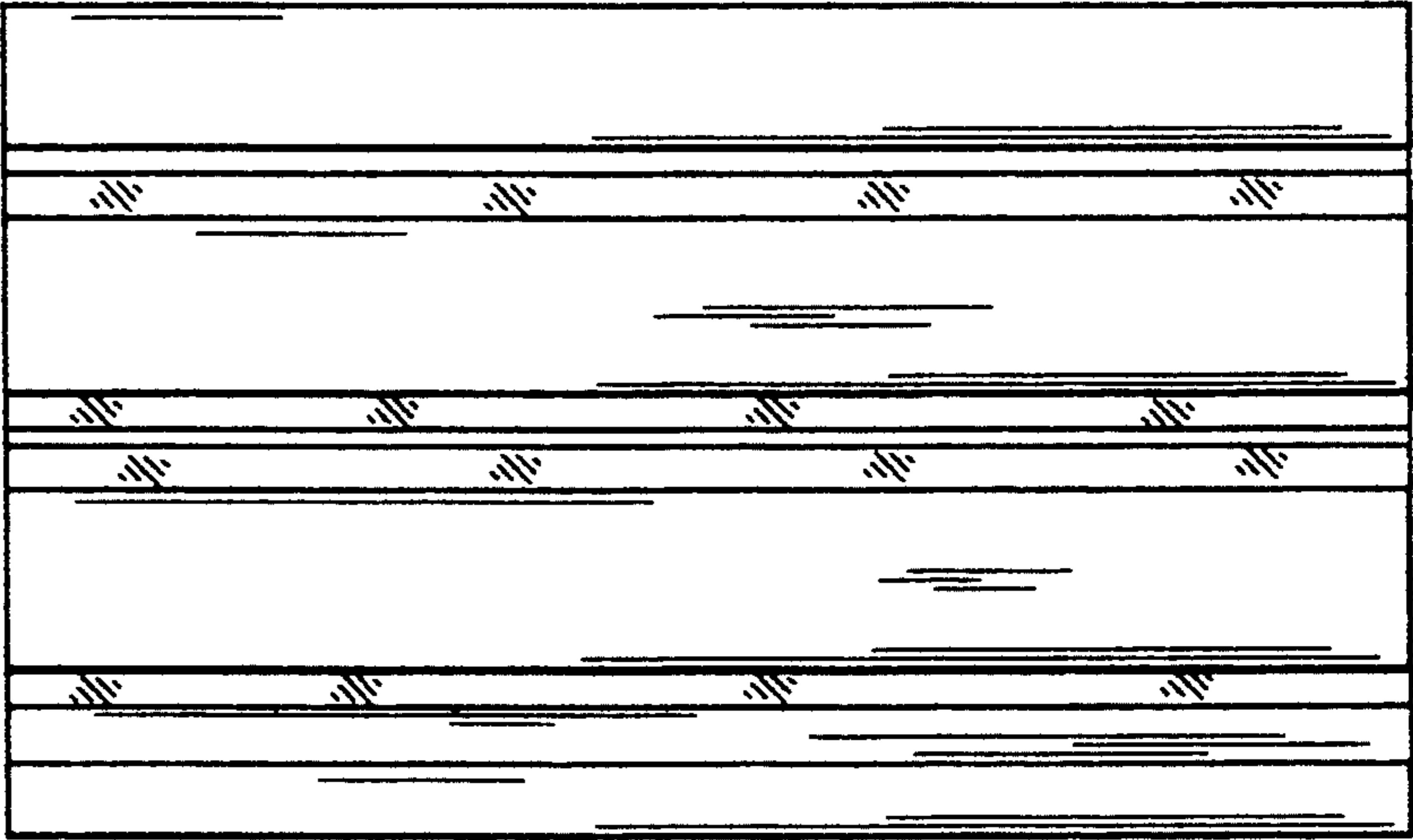


FIG. 4

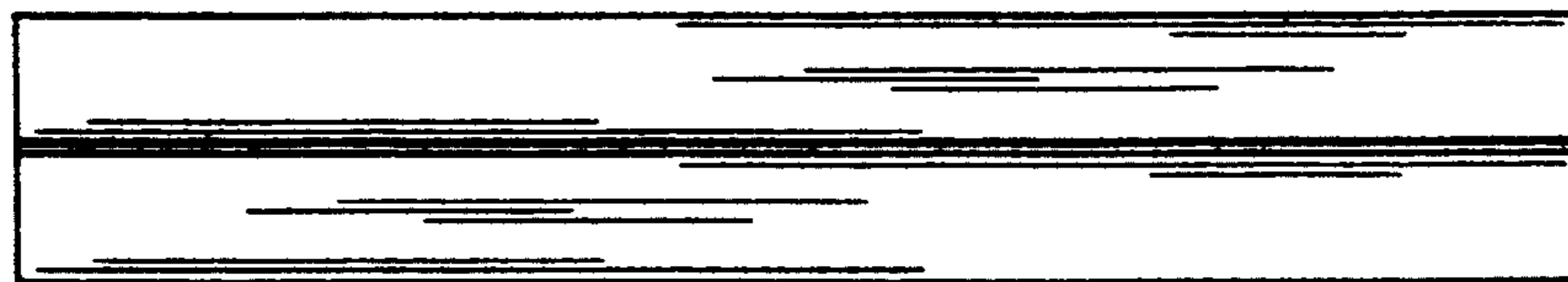


FIG. 5

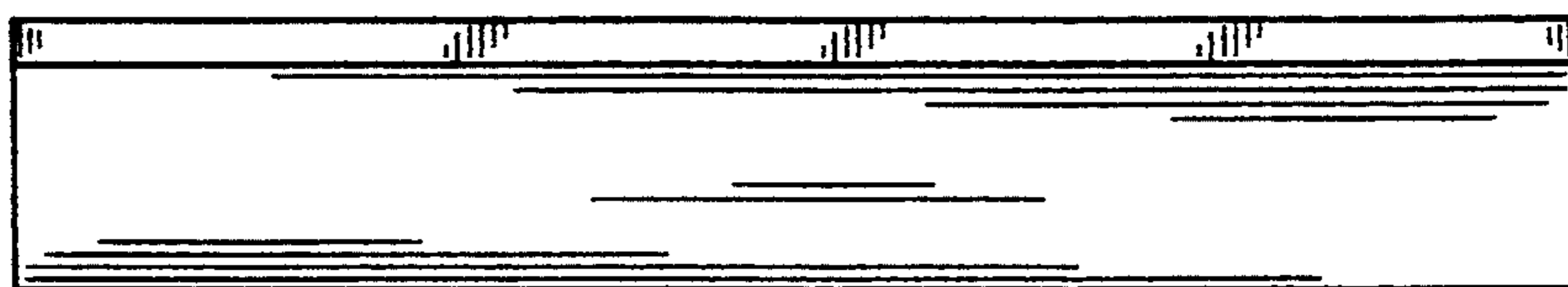


FIG. 6

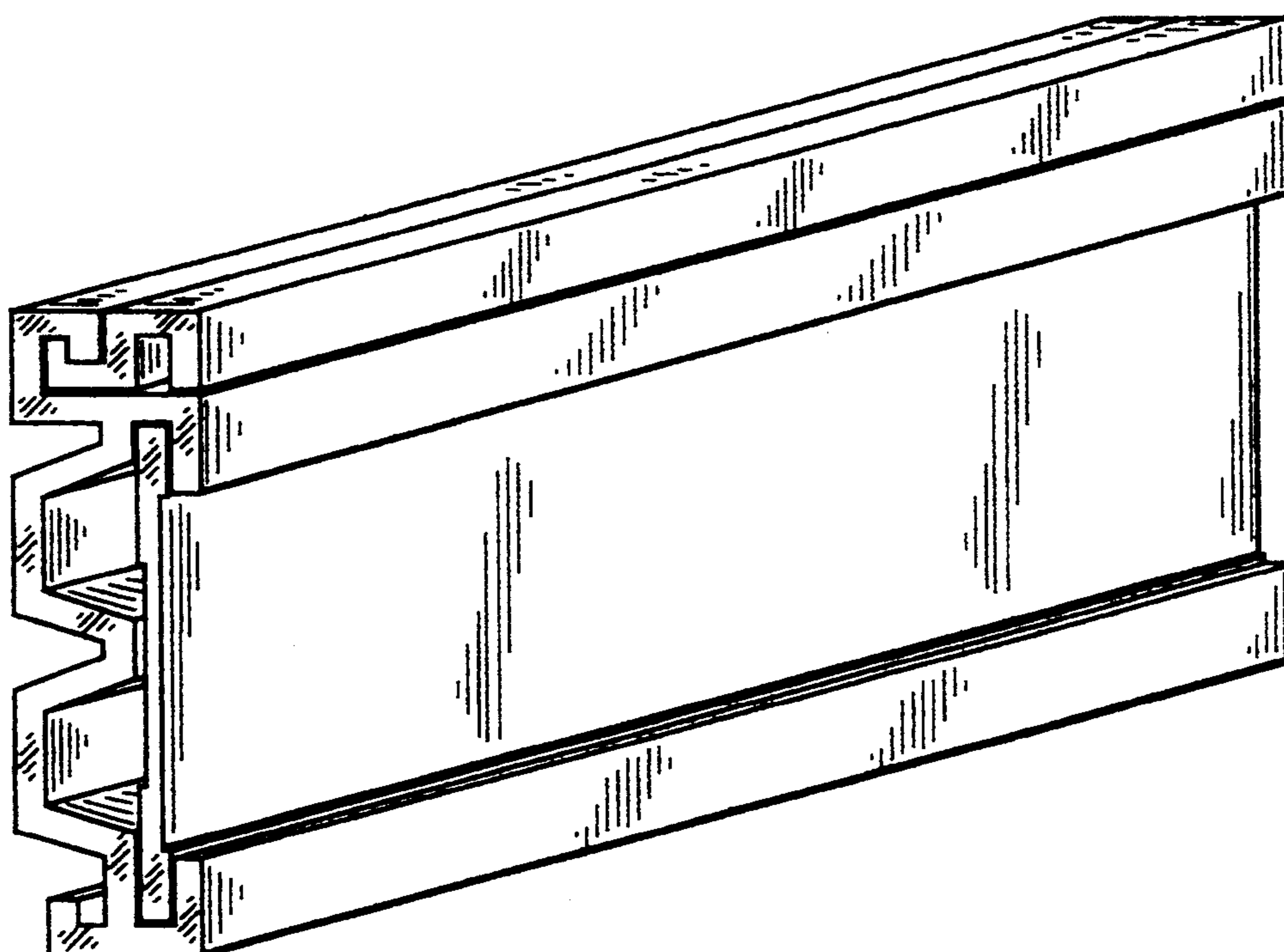


FIG. 7

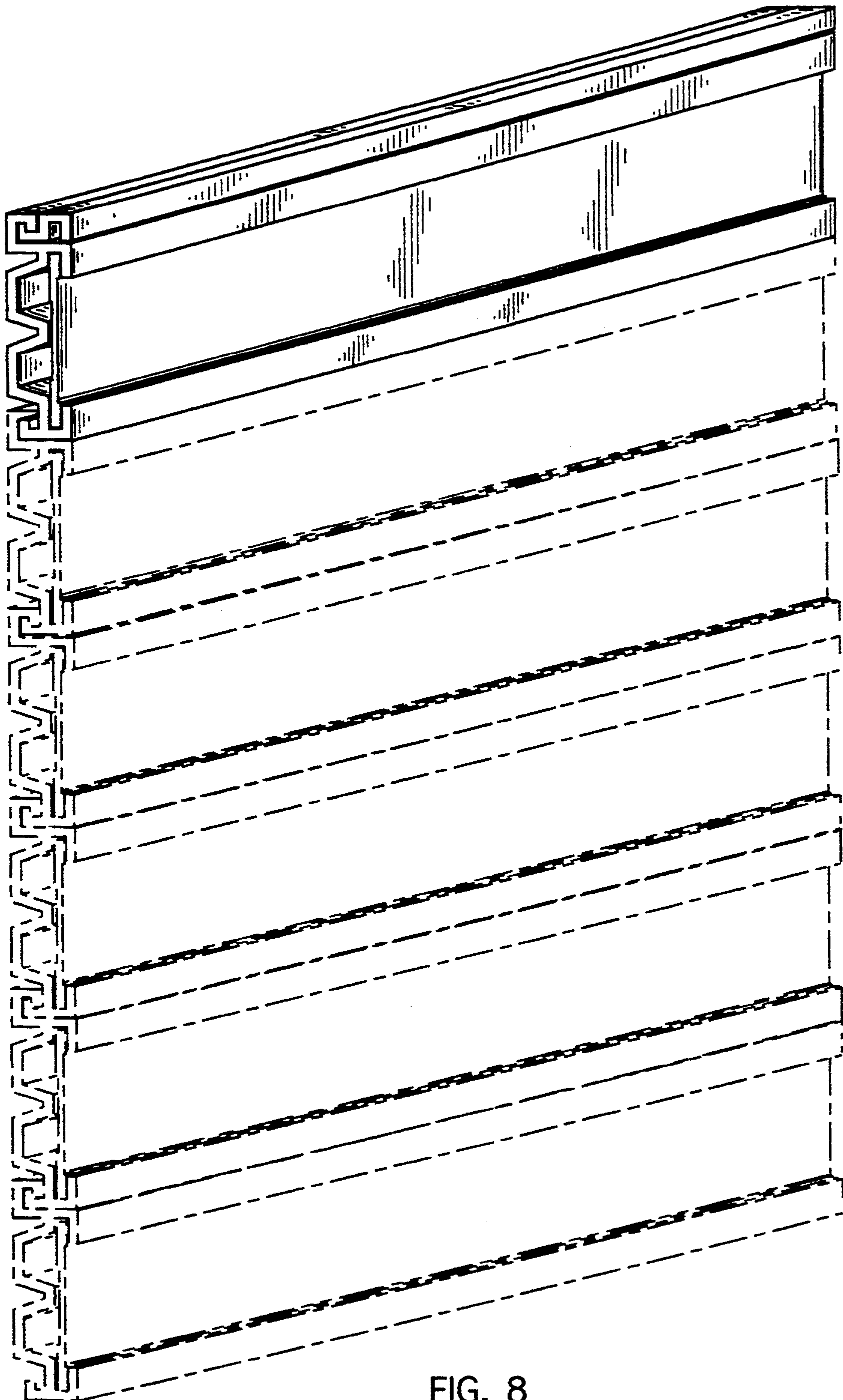


FIG. 8