



US00D349925S

United States Patent [19]

[11] Patent Number: **Des. 349,925**

Charron et al.

[45] Date of Patent: **** Aug. 23, 1994**

[54] **CARD HOLDER**

[76] Inventors: **Joseph A. Charron; Loretta Charron**, both of 219 Bella Coola Dr., Indian Harbor Beach, Fla. 32937

[**] Term: **14 Years**

[21] Appl. No.: **15,268**

[22] Filed: **Nov. 12, 1993**

[52] U.S. Cl. **D19/90; D20/15; D6/466**

[58] Field of Search **D6/466, 310; 248/473; 40/1, 124, 124.4, 642, 658, 358; 211/45, 50, 86, 89, 46; D21/54; D19/65, 75, 86, 90, 91, 95, 99, 100; D20/15, 40, 43**

[56] **References Cited**

U.S. PATENT DOCUMENTS

D. 133,104	7/1942	Meyer	D6/466	X
D. 262,727	1/1982	Snyder	D21/54	
D. 272,547	2/1984	Gordon	D20/15	X
D. 277,196	1/1985	Eason	D20/15	X
D. 306,529	3/1990	Goodell	D20/15	X
298,354	5/1884	Davis	248/473	

2,377,222	5/1945	Fruth	248/473	X
2,551,157	5/1951	Price	248/473	X
3,787,922	1/1974	Foy et al.	248/473	X
4,089,116	5/1978	Bearinger	40/658	X

OTHER PUBLICATIONS

Hermes, Inc., see p. 24 circled plate base, bottom center. Display Innovations in Acrylic, see circled card holder, bottom center.

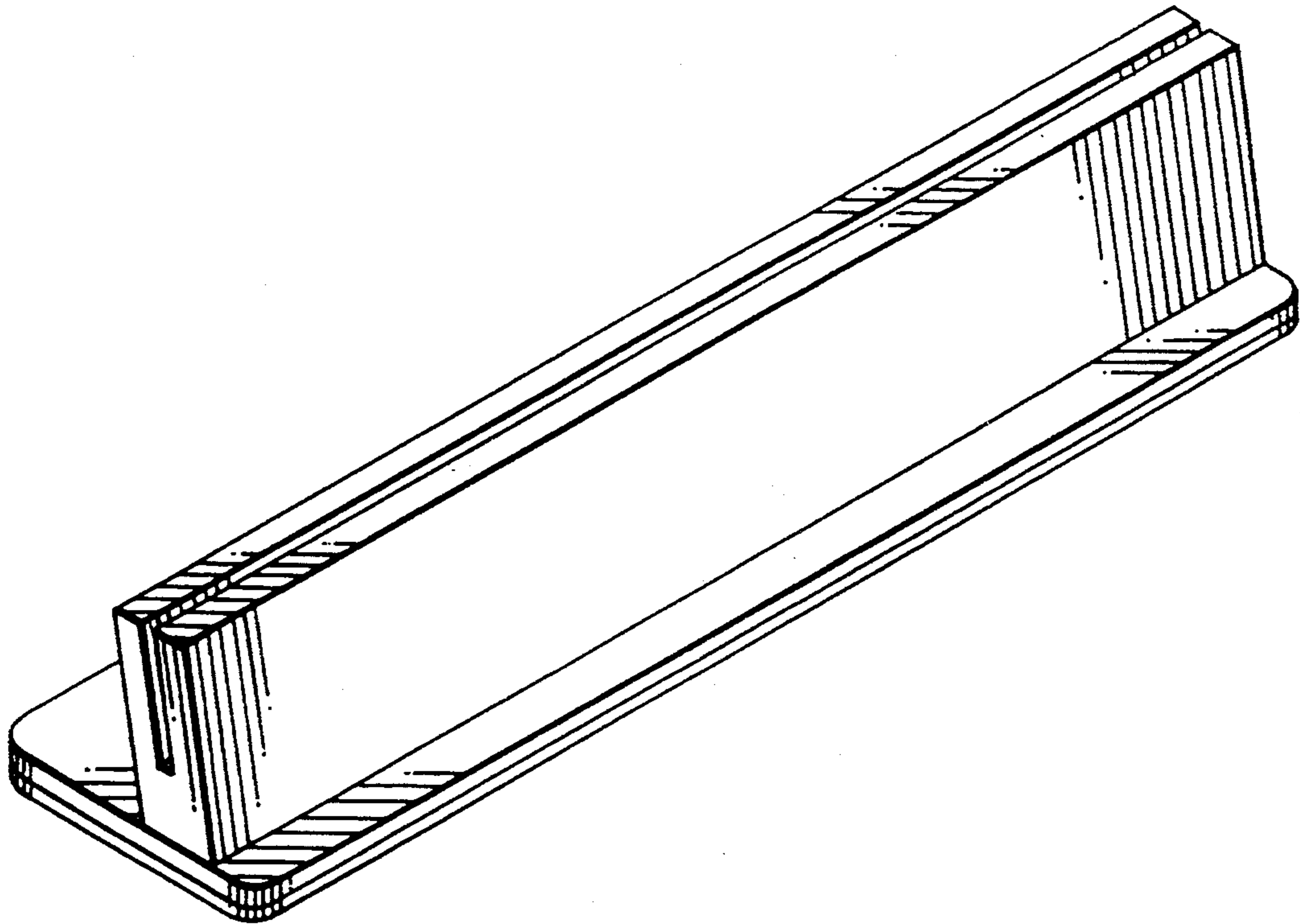
Primary Examiner—Martie Thompson
Attorney, Agent, or Firm—William M. Hobby, III

[57] **CLAIM**

The ornamental design for a card holder design, as shown.

DESCRIPTION

FIG. 1 is a top, left front perspective view of a card holder showing our new design; FIG. 2 is a left end elevation; FIG. 3 is a front side elevation; FIG. 4 is a rear side elevation; FIG. 5 is a right end elevation; FIG. 6 is a bottom plan view; and, FIG. 7 is a top plan view.



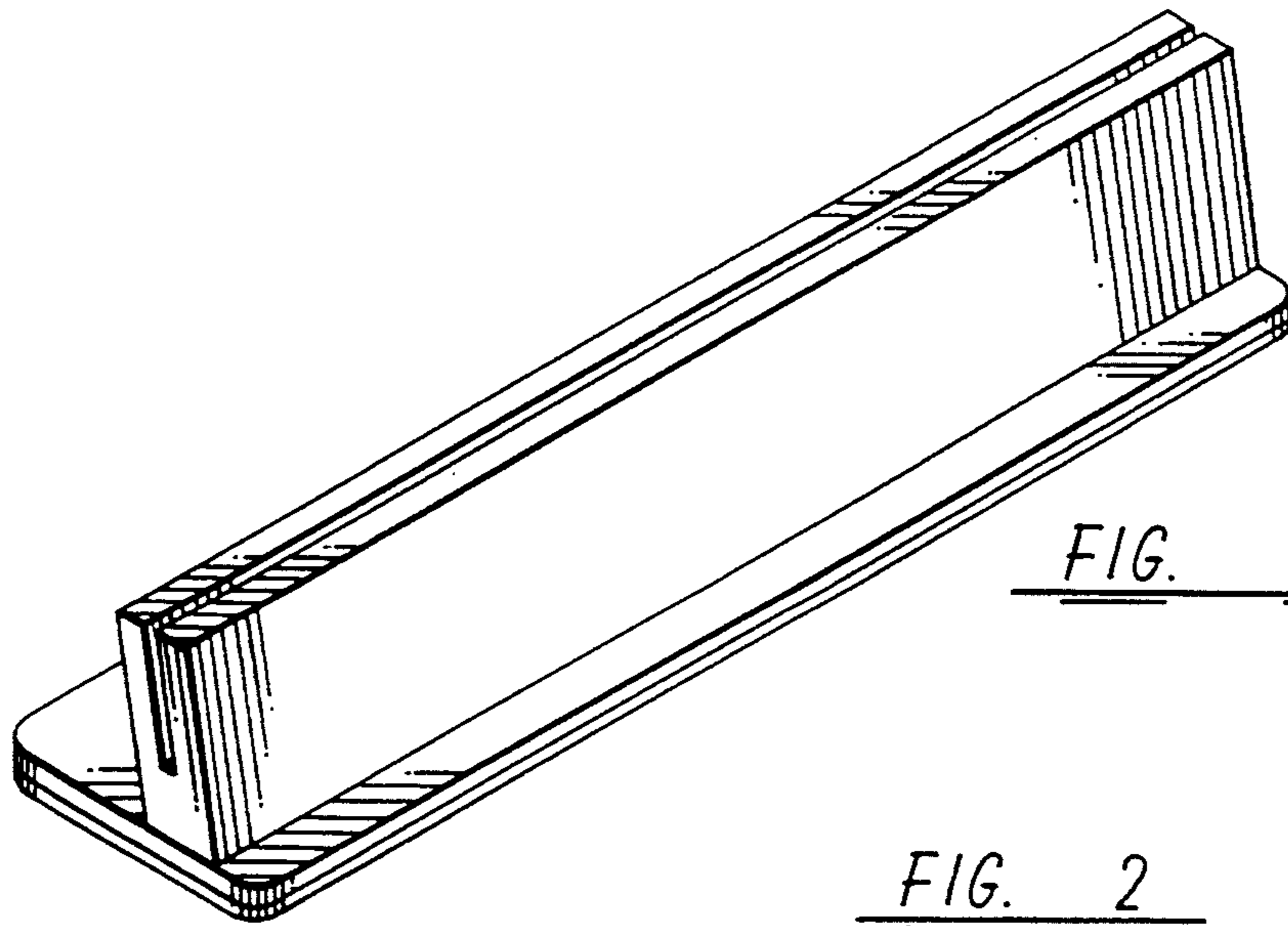


FIG. 1

FIG. 2

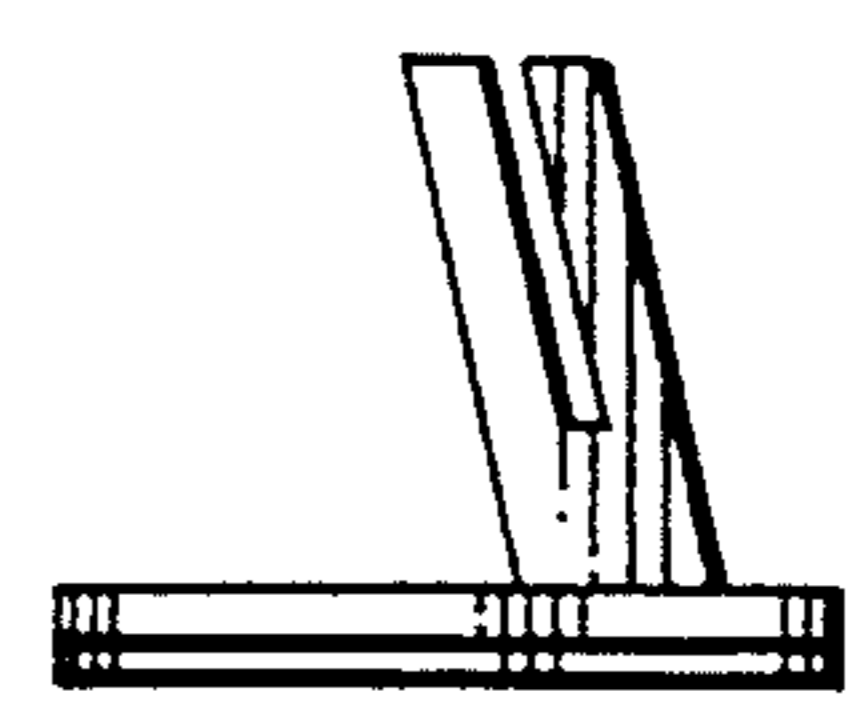


FIG. 3

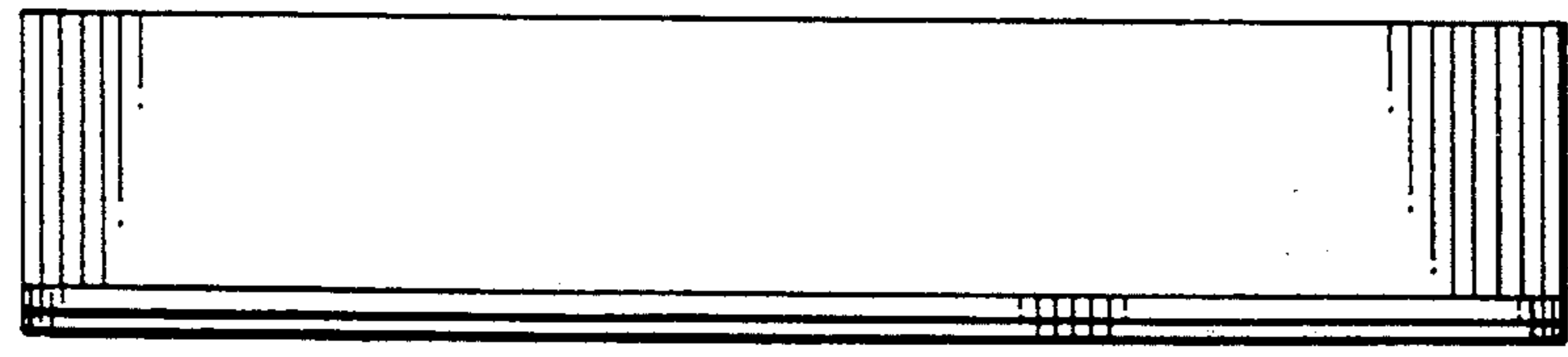
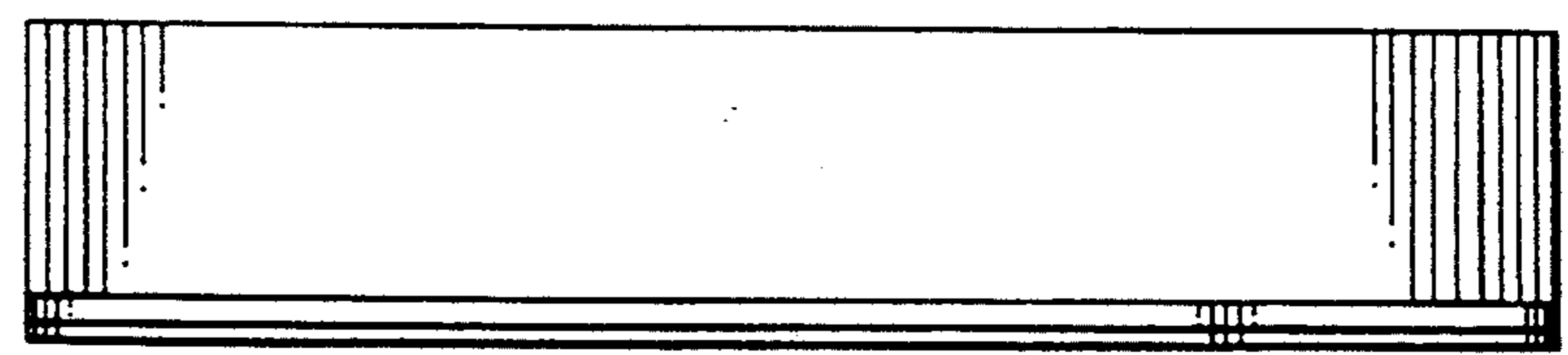


FIG. 4

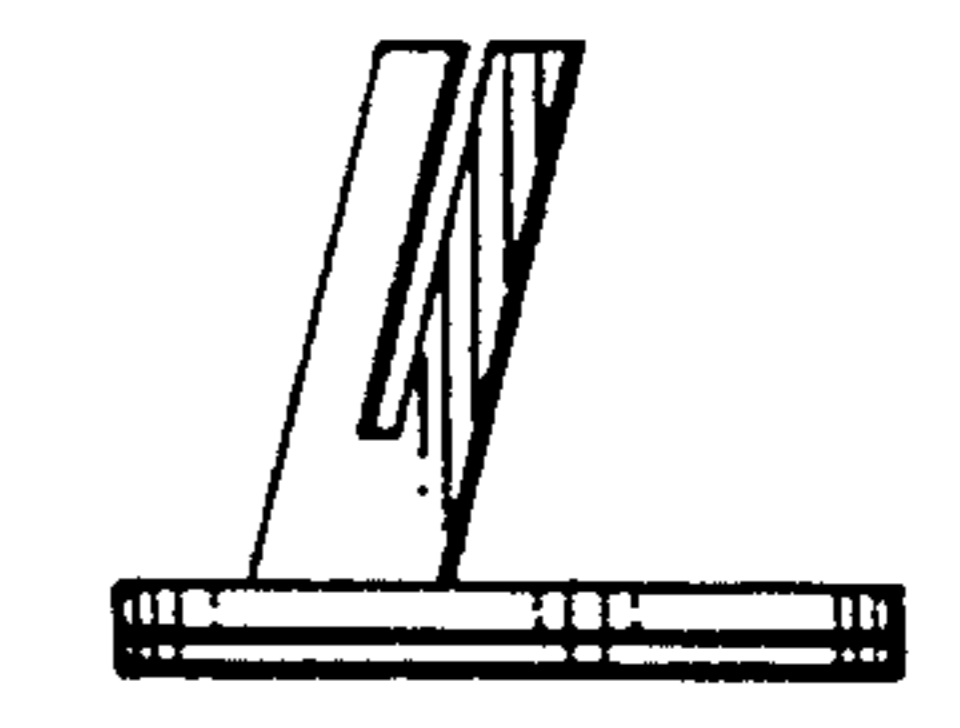
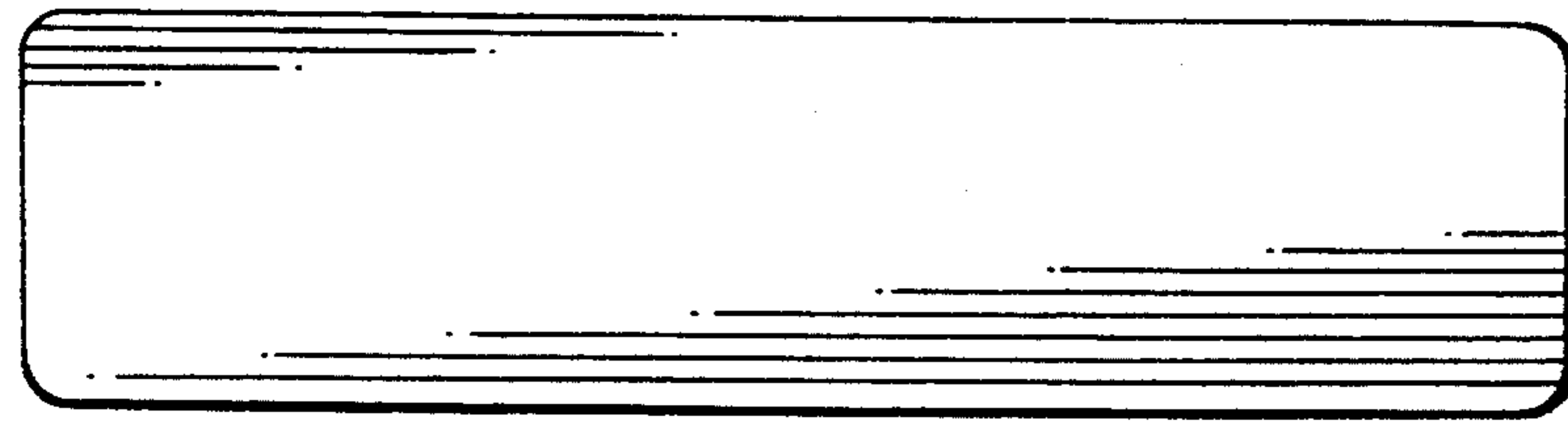


FIG. 5

FIG. 6

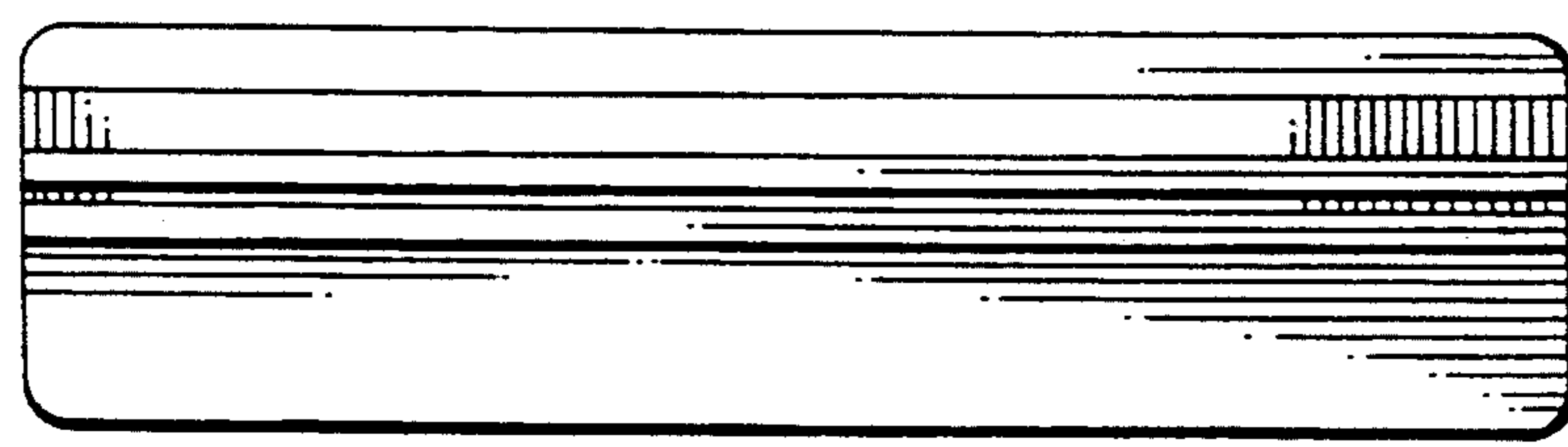


FIG. 7