



US00D349924S

United States Patent [19]

[11] Patent Number: **Des. 349,924**

Fisch

[45] Date of Patent: **** Aug. 23, 1994**

[54] **COMBINED PEN AND FLAG**

[76] Inventor: **Johann Fisch**, 475 The West Hall - Apt-709, Etobicoke, Ontario, Canada, M9C 4Z3

2,139,805	12/1938	Chase	248/205.5 X
3,148,856	9/1964	Orlando	40/597 X
4,787,161	11/1988	Feng	40/334
4,984,379	1/1991	Lee	401/195 X

[**] Term: **14 Years**

[21] Appl. No.: **6,250**

[22] Filed: **Mar. 23, 1993**

[52] U.S. Cl. **D19/42; D19/36; D19/46; D11/166**

[58] Field of Search 401/52, 195; 116/173-175; 40/334, 358, 335, 597; 248/205.5; D11/68, 167, 166; D19/35, 36, 41-51, 54-58, 81-85, 97

OTHER PUBLICATIONS

Famus Pre-Inked Stamps advertizing flyer see circled flag, left center.

Primary Examiner—Martie Thompson
Attorney, Agent, or Firm—Hugh E. Smith

[57] **CLAIM**

The ornamental design for a combined pen and flag, as shown and described.

DESCRIPTION

FIG. 1 is a front elevational view of the combined pen and flag showing my new design; FIG. 2 is a rear elevational view thereof; FIG. 3 is a left side elevational view thereof; FIG. 4 is a right side elevational view thereof; FIG. 5 is a top plan view thereof; FIG. 6 is a bottom plan view thereof; and, FIG. 7 is a perspective view thereof in an exploded condition.

[56] **References Cited**

U.S. PATENT DOCUMENTS

D. 61,339	8/1922	Gossner	D19/97
D. 111,492	8/1938	Hassenfeld	D19/84
D. 200,146	1/1965	Mudrinich	D11/166 X
D. 220,411	4/1971	Perlmutter	D19/42
1,743,694	1/1930	Tierney	248/205.5 X
1,828,892	10/1931	Felton	D11/166 X
1,845,196	2/1932	Schaff	248/205.5 X

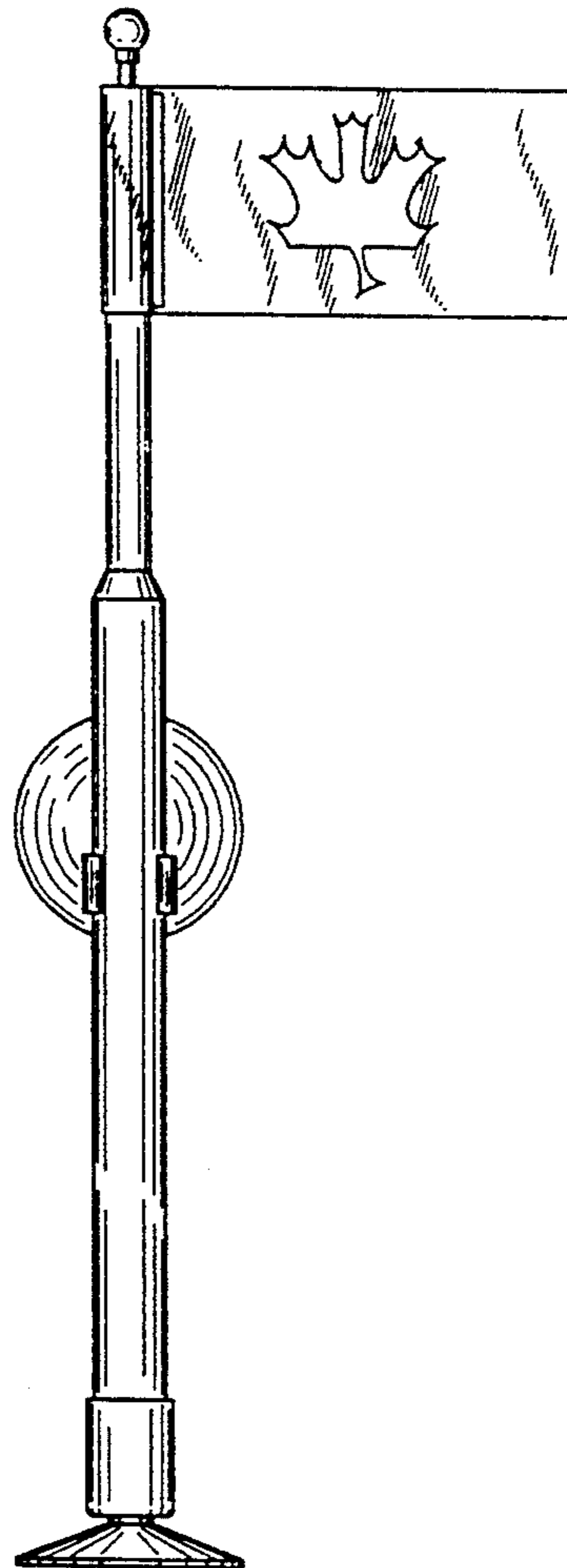


FIG. 1

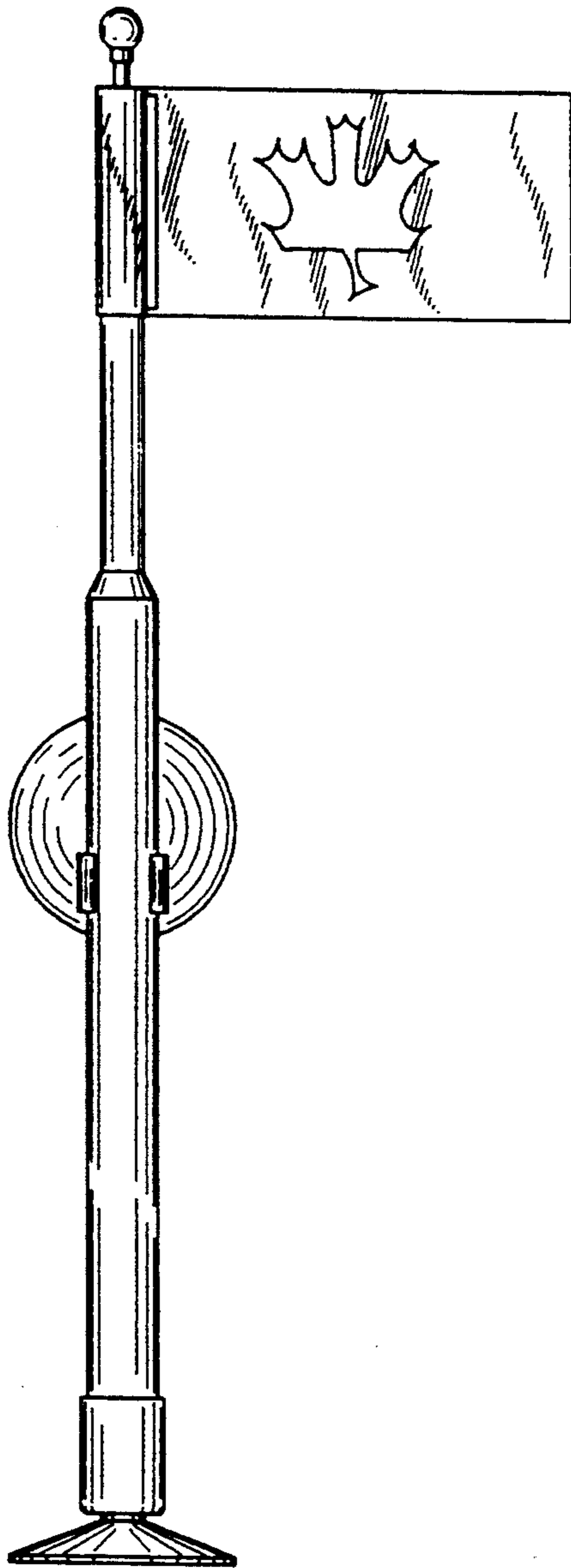


FIG. 2

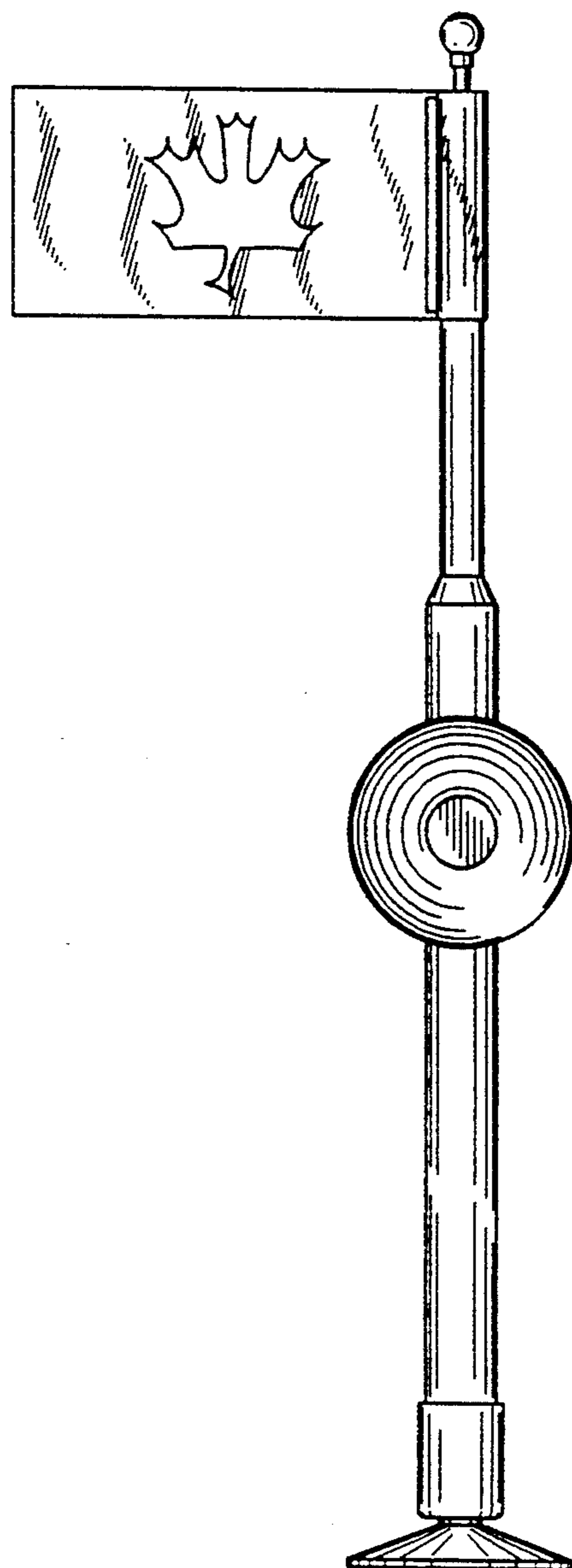


FIG. 3

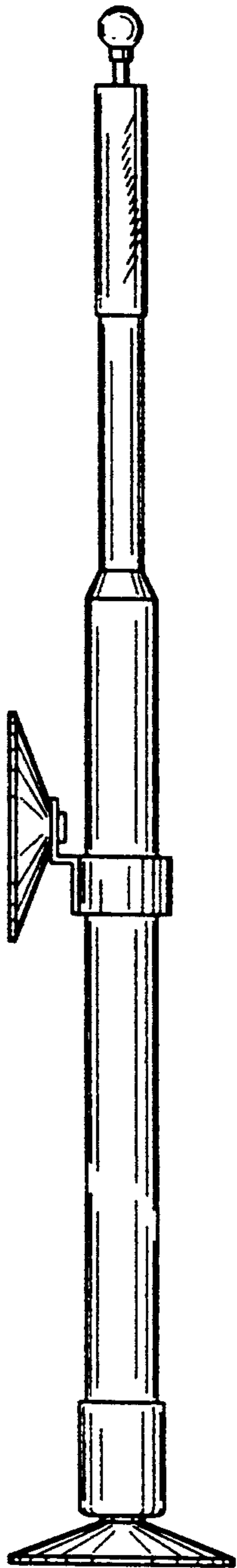


FIG. 4

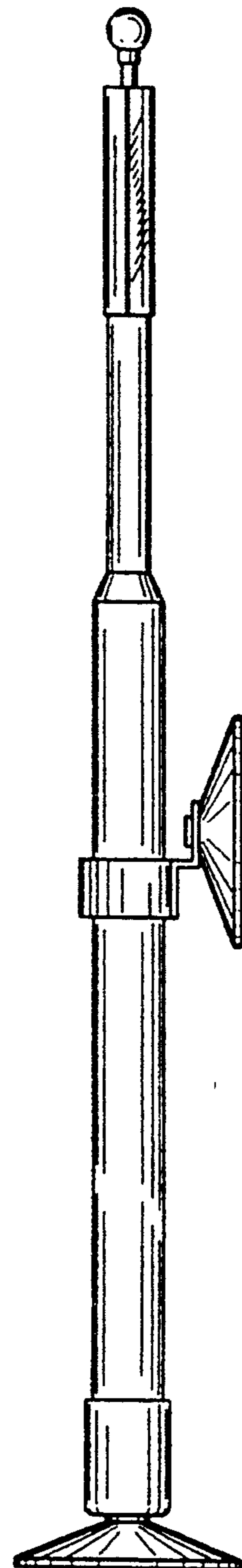


FIG. 5

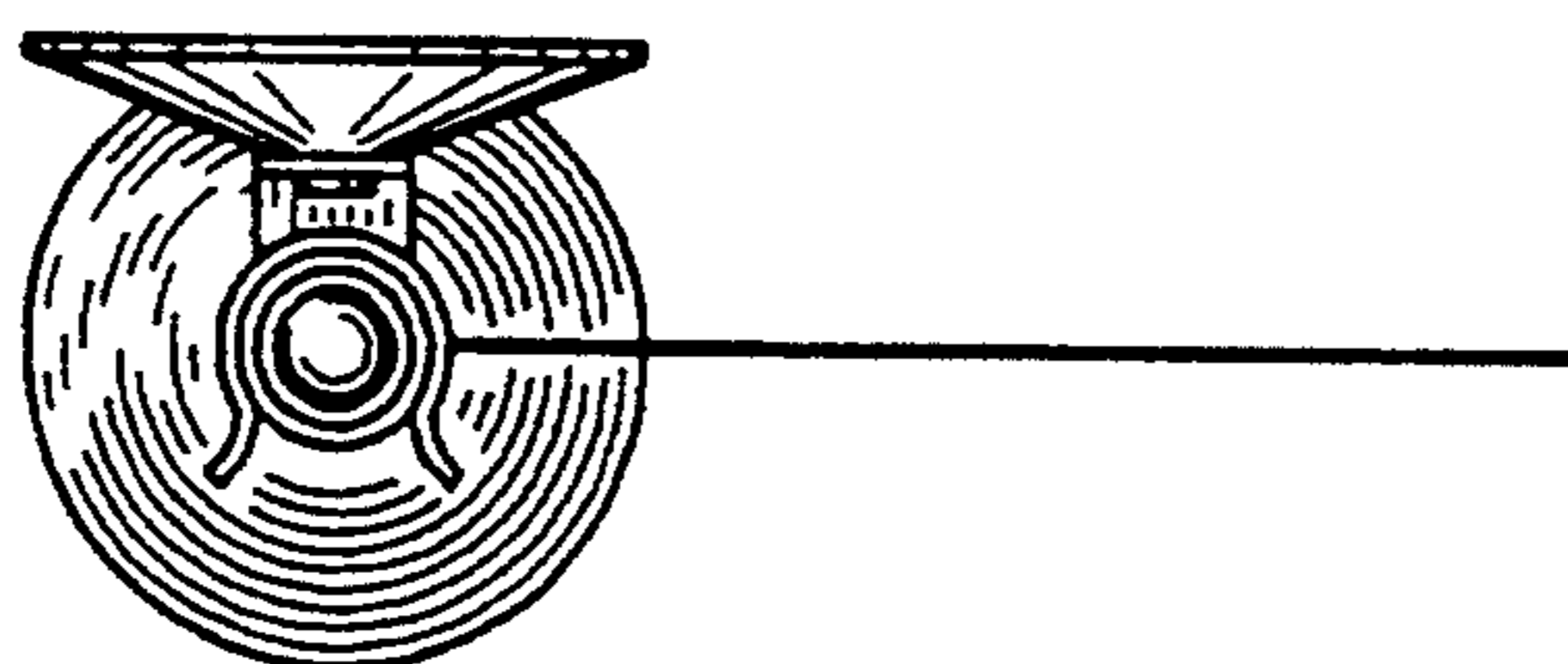


FIG. 6

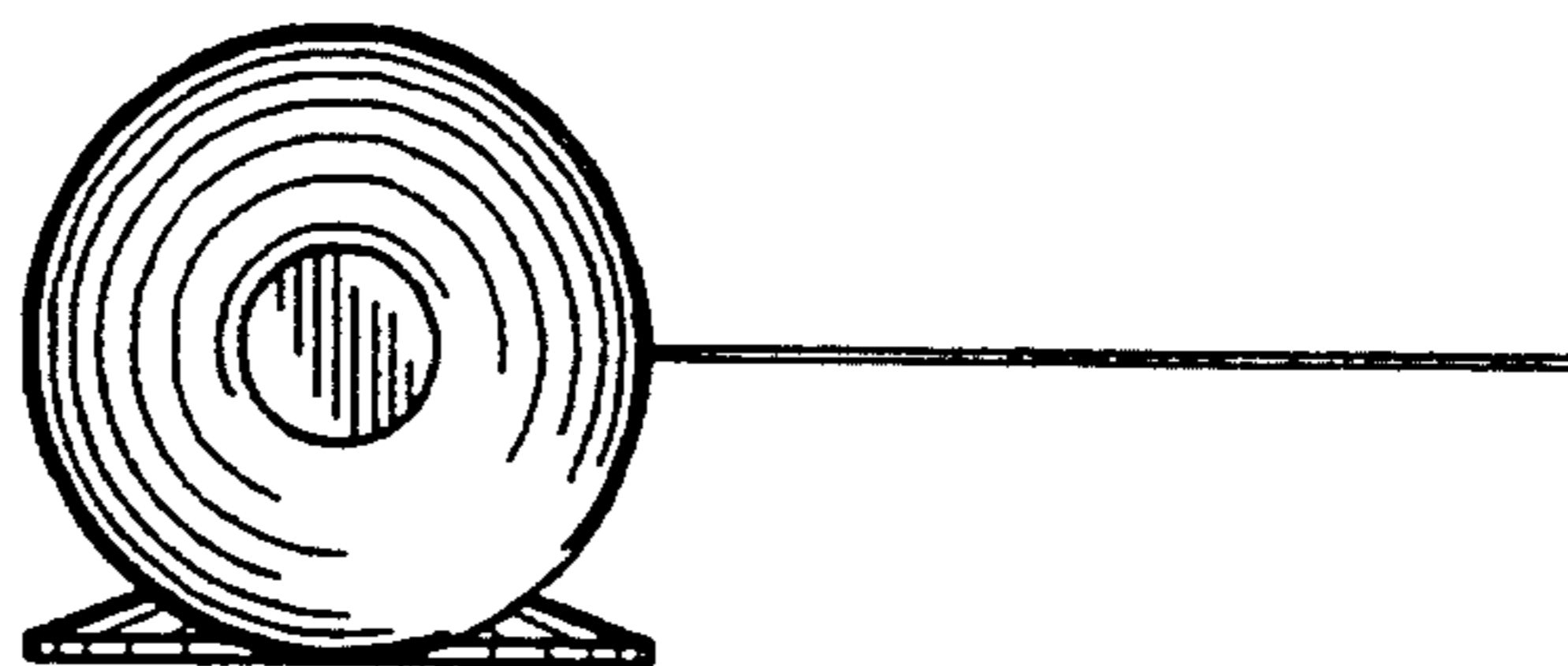


FIG. 7

