



US00D349922S

United States Patent [19]

[11] Patent Number: **Des. 349,922**

Tashiro

[45] Date of Patent: **** Aug. 23, 1994**

[54] **PRINTER FOR ELECTRONIC COMPUTER**

[75] Inventor: **Naoki Tashiro, Kawasaki, Japan**

[73] Assignee: **Canon Kabushiki Kaisha, Tokyo, Japan**

[**] Term: **14 Years**

[21] Appl. No.: **6,023**

[22] Filed: **Mar. 17, 1993**

[30] **Foreign Application Priority Data**

Sep. 17, 1992 [JP] Japan 4-27540

[52] U.S. Cl. **D18/50; D18/54**

[58] Field of Search 400/690-694,
400/613, 613.1-613.4, 690.1-690.4; D18/50,
52, 54, 55

[56] **References Cited**

U.S. PATENT DOCUMENTS

- D. 285,211 8/1986 Nibley et al. D18/55
- D. 286,639 11/1986 Strand D18/55
- D. 293,577 1/1988 Gauffin D18/54
- D. 293,578 1/1988 Matsumoto et al. D18/55
- D. 321,711 11/1991 Yoshibara et al. D18/54
- D. 322,981 1/1992 Tokuda D18/54
- D. 322,982 1/1992 Tashiro D18/54
- D. 323,344 1/1992 Umino et al. D18/54
- D. 323,850 2/1992 Matsuo et al. D18/54
- D. 326,678 6/1992 Uchibori et al. D18/55
- D. 337,608 7/1993 Miyamoto D18/55
- D. 338,231 8/1993 Miyamoto D18/55
- D. 339,156 9/1993 Sato et al. D18/50

- D. 339,157 9/1993 Miyamoto et al. D18/50
- D. 339,158 9/1993 Sato D18/50
- D. 339,159 9/1993 Pruitt et al. D18/55
- D. 339,372 9/1993 Kando D18/50
- D. 340,944 11/1993 Ishizawa D18/50
- D. 343,637 1/1994 Umino et al. D18/55
- D. 344,754 3/1994 Parsey D18/55
- 3,375,781 4/1968 Grimm et al. D18/55
- 4,828,416 5/1989 Pensauccchia et al. 400/691

FOREIGN PATENT DOCUMENTS

65798 4/1990 Canada D18/chia et al.

OTHER PUBLICATIONS

Addmaster Printer brochure; photo on front.

Primary Examiner—Cathy Anne MacCormac
Attorney, Agent, or Firm—Fitzpatrick, Cella, Harper & Scinto

[57] **CLAIM**

The ornamental design for a printer for electronic computer, as shown and described.

DESCRIPTION

FIG. 1 is a front elevational view of a printer for electronic computer showing my new design;
FIG. 2 is a rear elevational view thereof;
FIG. 3 is a top plan view thereof;
FIG. 4 is a bottom plan view thereof;
FIG. 5 is a left side elevational view thereof;
FIG. 6 is a right side elevational view thereof; and,
FIG. 7 is a perspective view thereof.

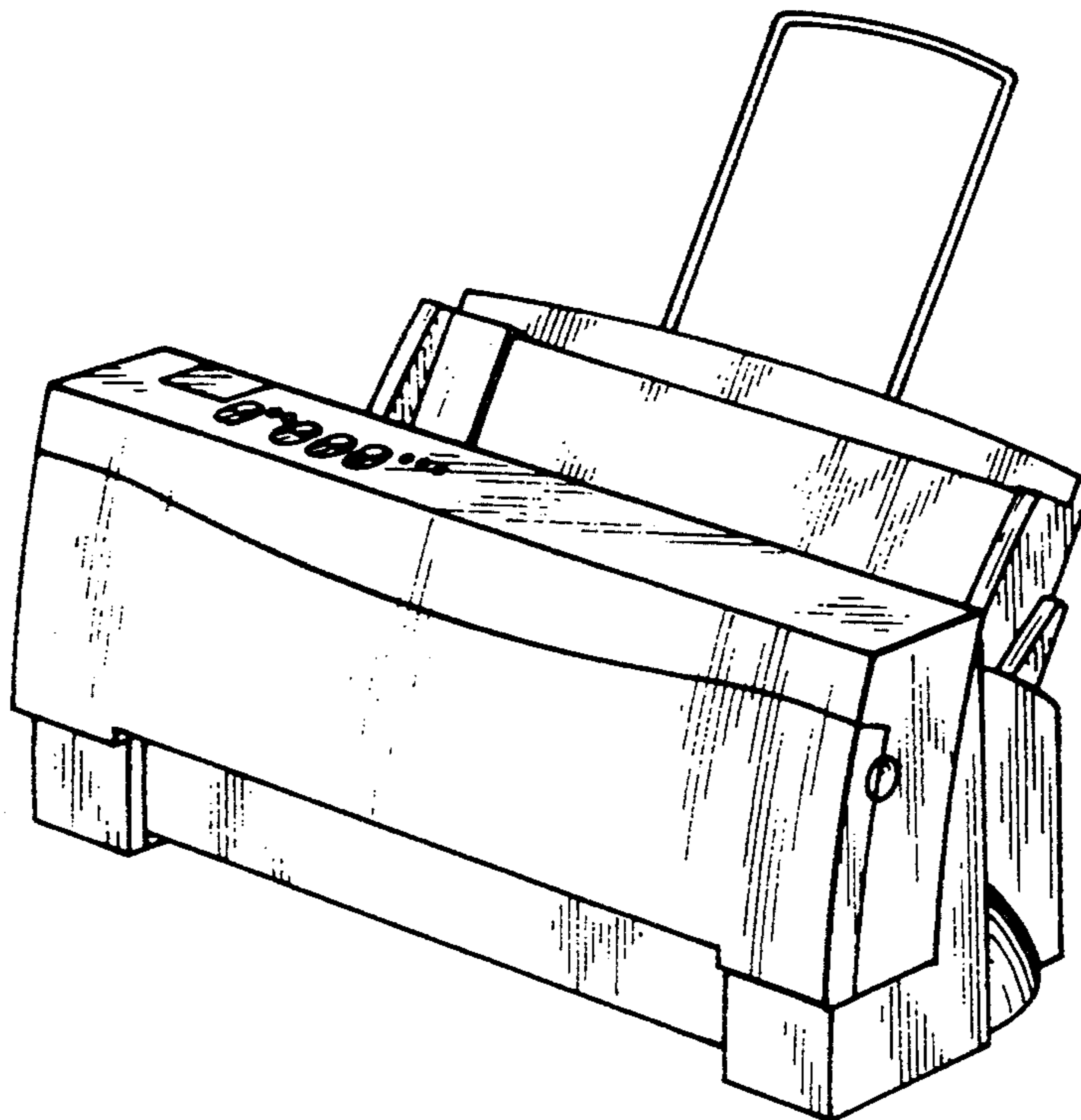


FIG. 1

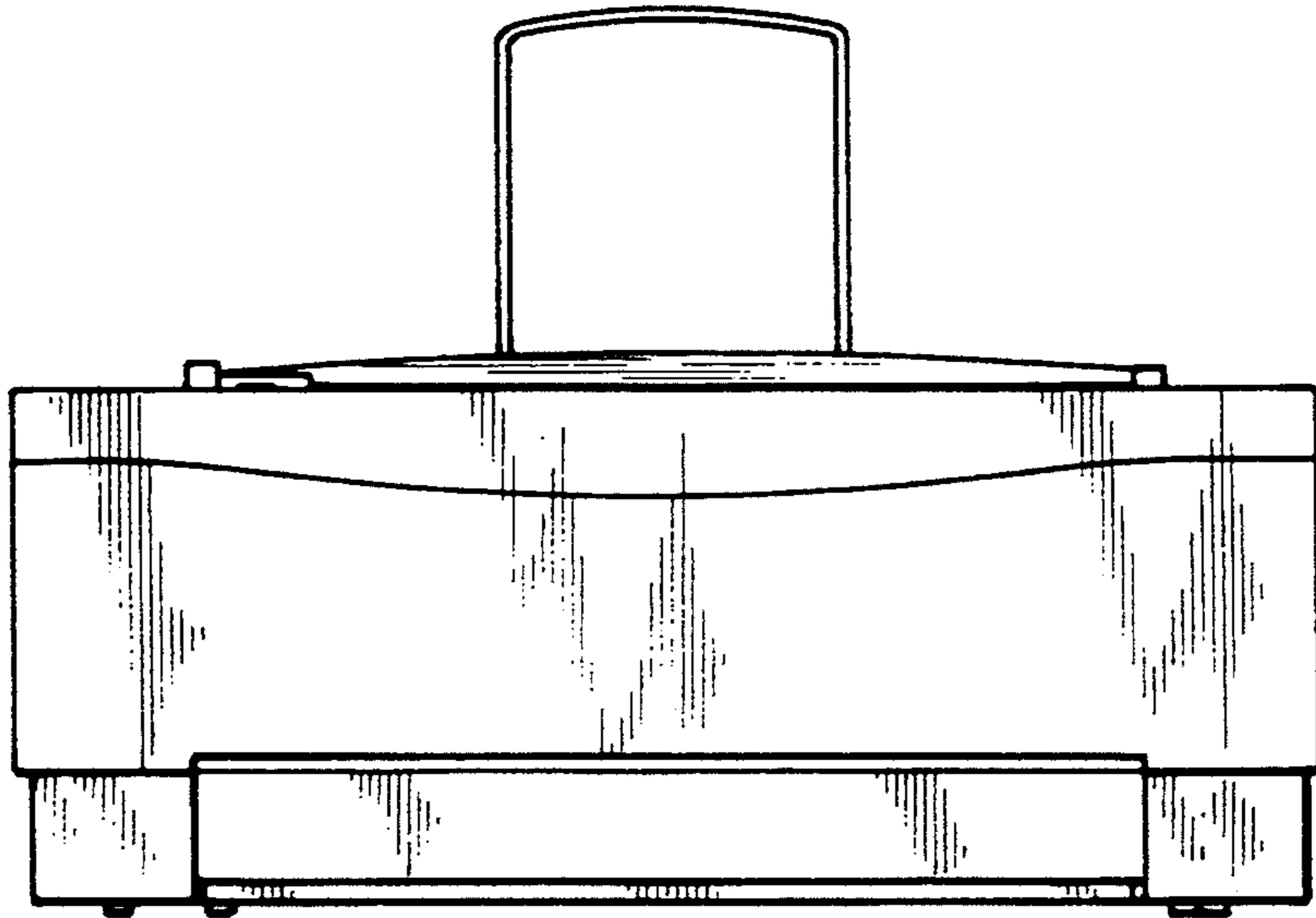


FIG. 2

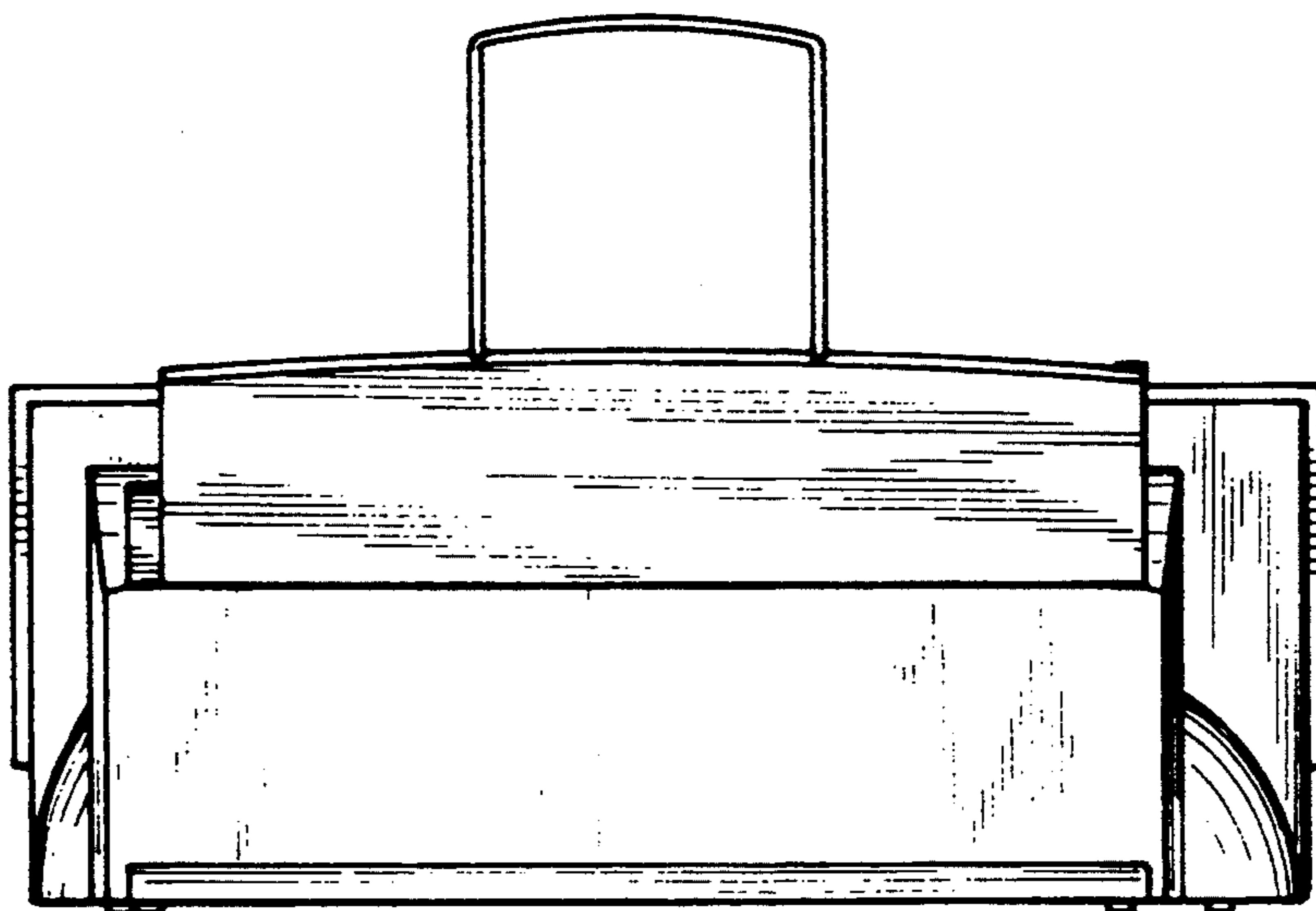


FIG. 3

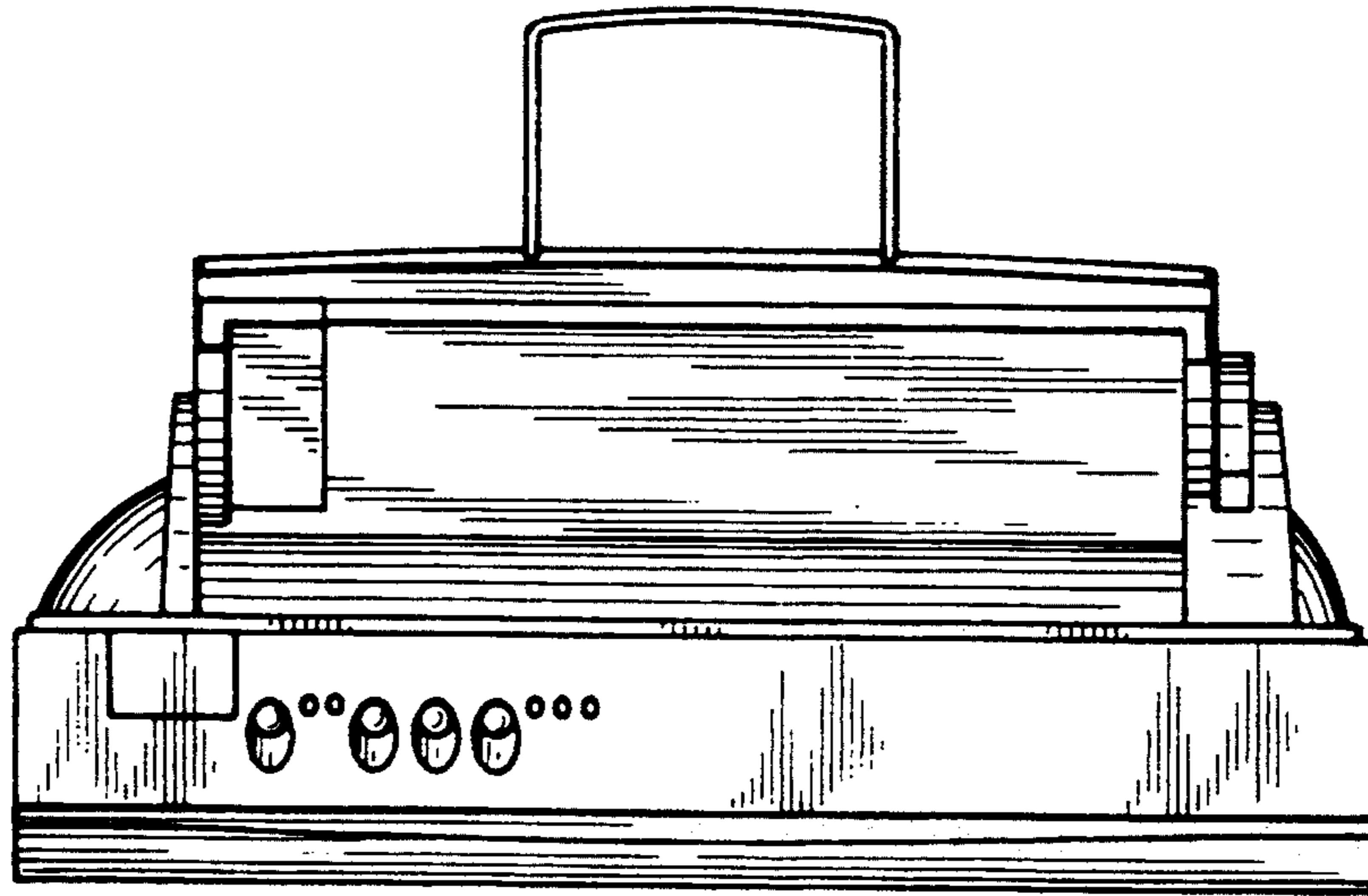


FIG. 4

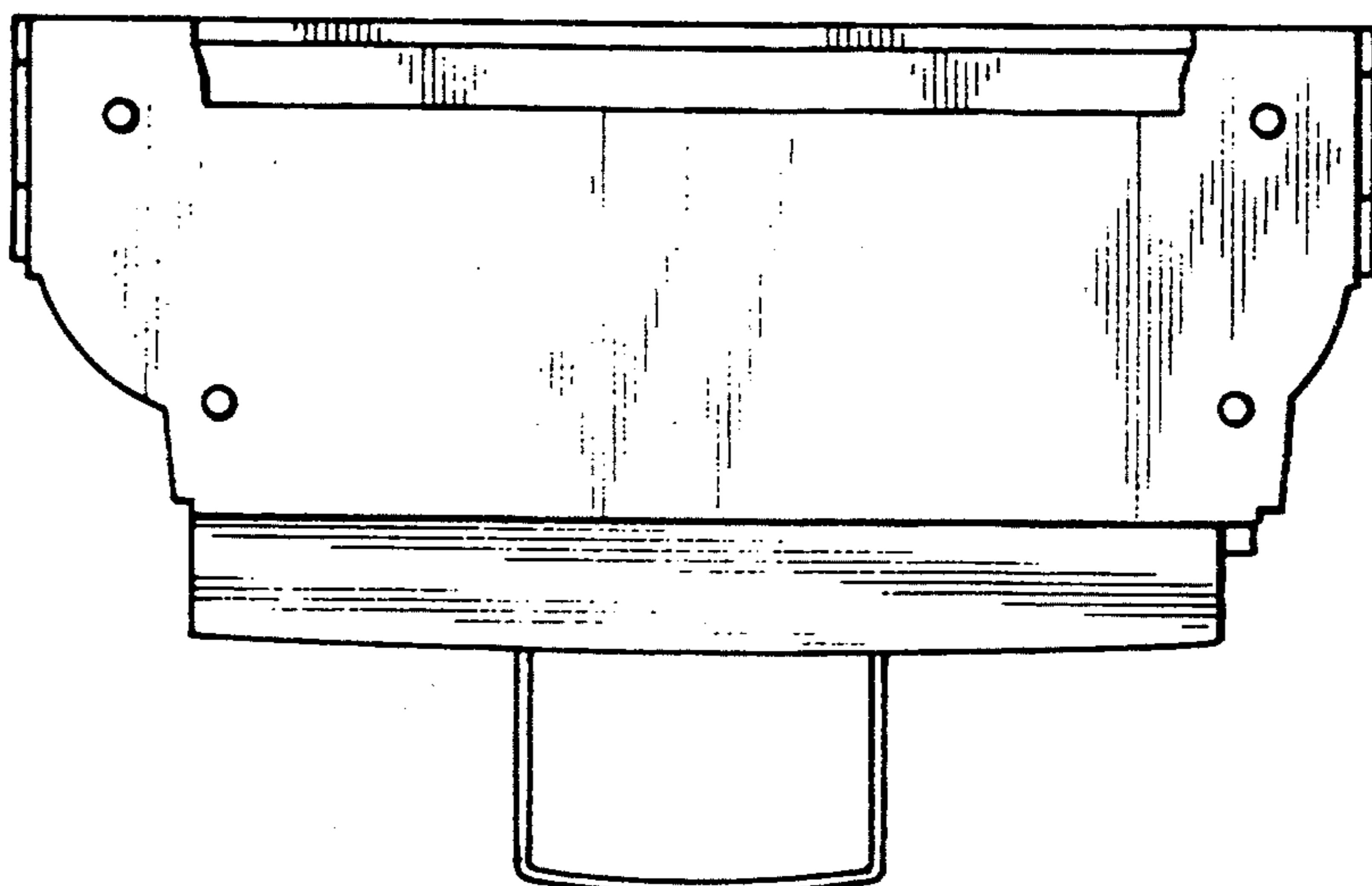


FIG. 5

FIG. 6

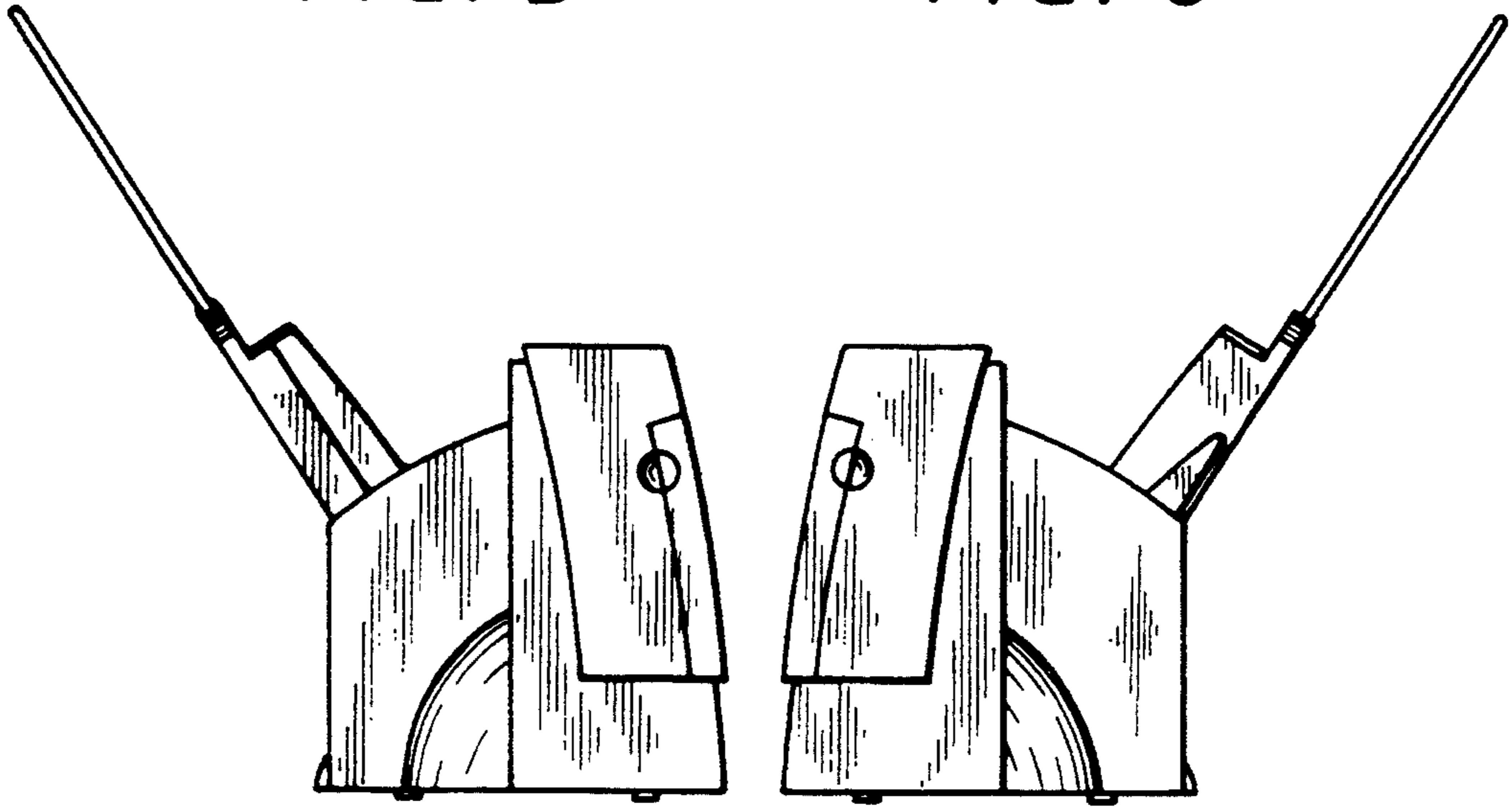


FIG. 7

