



US00D349919S

United States Patent [19]

[11] Patent Number: **Des. 349,919**

Tunstall-Pedoe

[45] Date of Patent: **** Aug. 23, 1994**

[54] **CALCULATOR**

[75] Inventor: **Hugh D. Tunstall-Pedoe**, Dundee,
United Kingdom

[73] Assignee: **The University Court of the
University of Dundee**, Dundee,
United Kingdom

[**] Term: **14 Years**

[21] Appl. No.: **728,052**

[22] Filed: **May 28, 1991**

[30] **Foreign Application Priority Data**

Nov. 28, 1990 [GB] United Kingdom 2011353

[52] U.S. Cl. **D18/10**

[58] Field of Search 235/61 R, 69, 70 R,
235/70 A, 77, 78, 83, 84, 88; D18/2, 9-10

[56] **References Cited**

U.S. PATENT DOCUMENTS

- D. 97,263 10/1935 Conover D18/10 X
- D. 222,893 1/1972 Neumann et al. D18/10 x
- D. 227,511 6/1973 Spilewski et al. D18/10
- D. 263,603 3/1982 McGourty D18/10

- D. 277,108 1/1985 Lundquist D18/10
- D. 289,905 5/1987 Goldring D18/10 X
- 1,405,847 2/1922 Johnson 235/78 R
- 1,439,936 12/1922 Wyckoff 235/83 X
- 1,681,740 8/1928 Meyers D18/10 X
- 3,419,973 1/1969 Manotas et al. D18/10 X
- 3,747,846 7/1973 Long D18/10 X

FOREIGN PATENT DOCUMENTS

815269 10/1951 Fed. Rep. of Germany 235/83

Primary Examiner—Alan P. Douglas

Assistant Examiner—Robert M. Spear

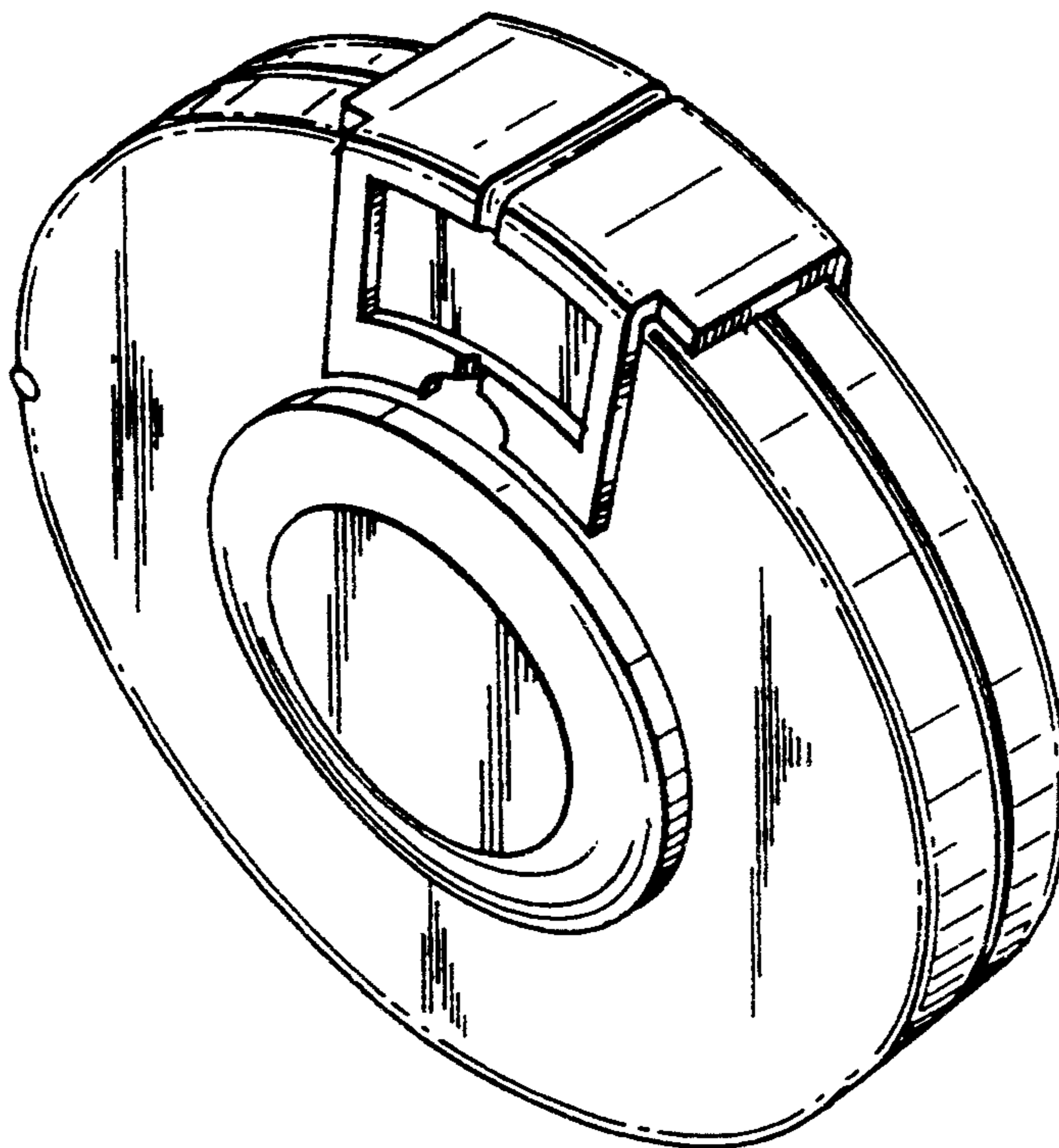
Attorney, Agent, or Firm—Mason, Fenwick & Lawrence

[57] **CLAIM**

The ornamental design for a calculator, as shown.

DESCRIPTION

FIG. 1 is a front perspective view from above of a calculator embodying my new and ornamental design; FIG. 2 is a front elevation view thereof; FIG. 3 is a left side elevation view thereof; FIG. 4 is a rear elevation view thereof; FIG. 5 is a bottom plan view thereof; FIG. 6 is a right side elevation view thereof; and, FIG. 7 is a rear perspective view thereof from above.



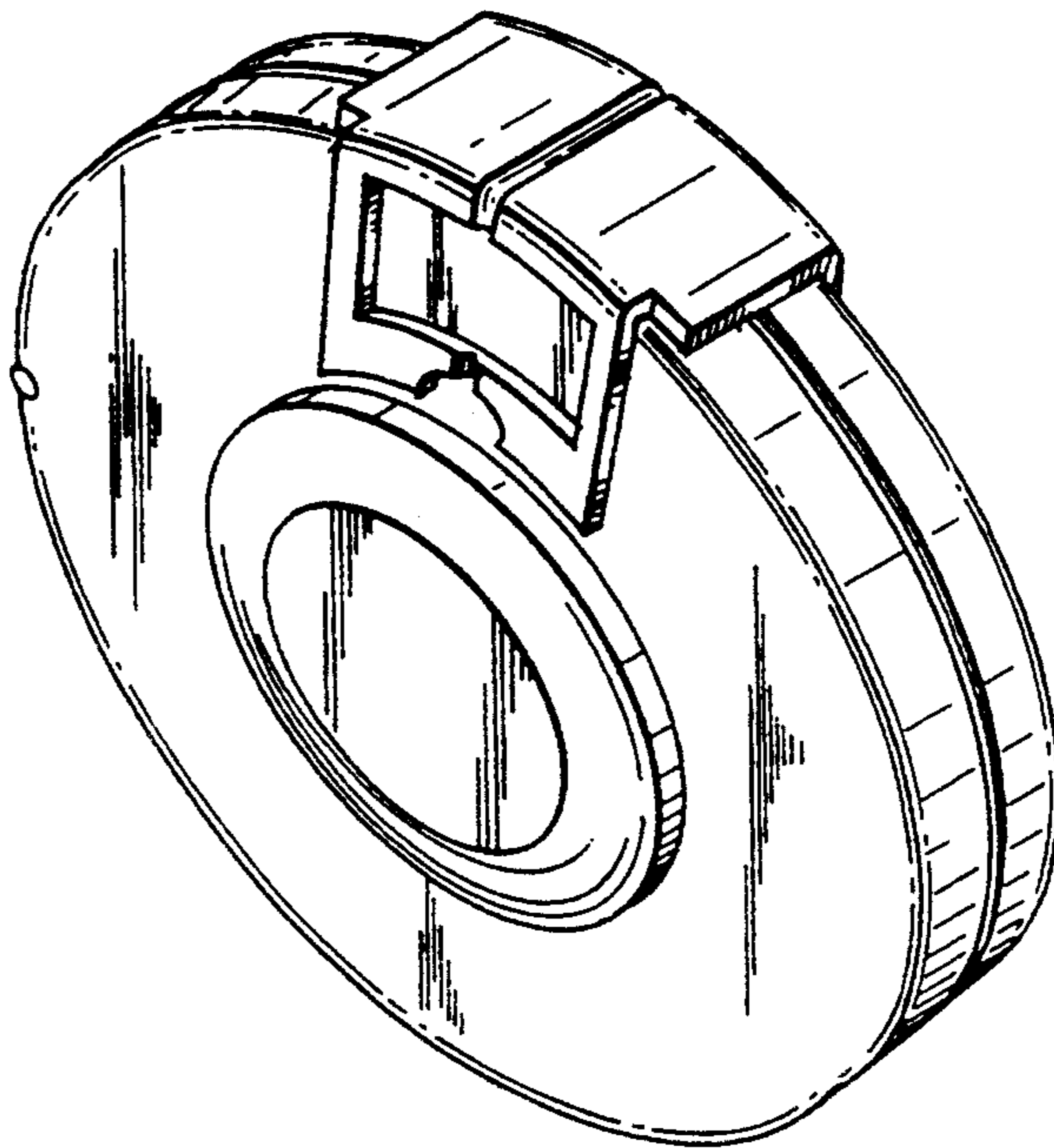


FIG. 1

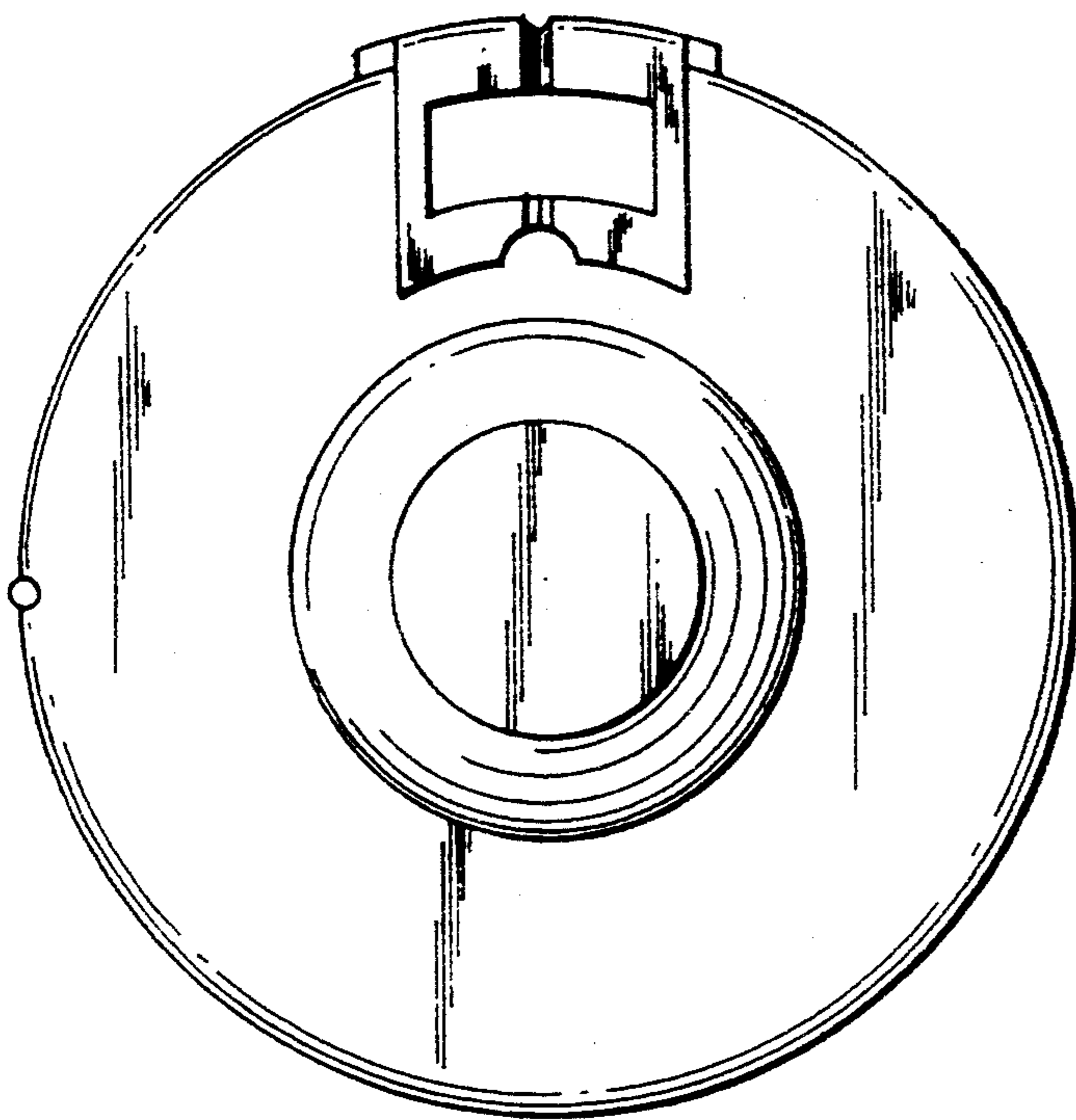


FIG. 2

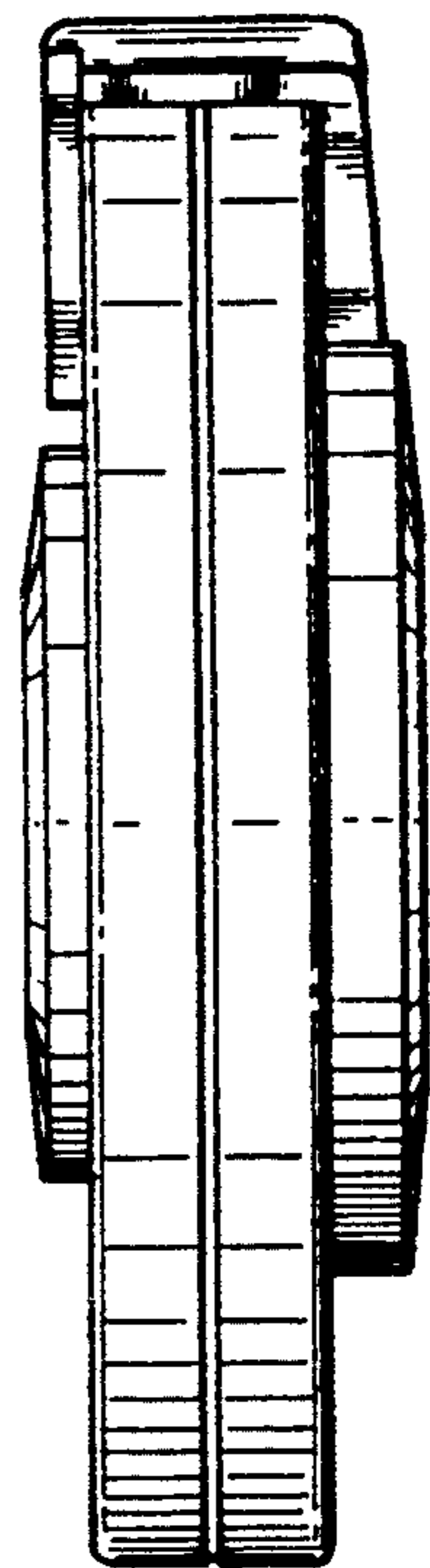


FIG. 3

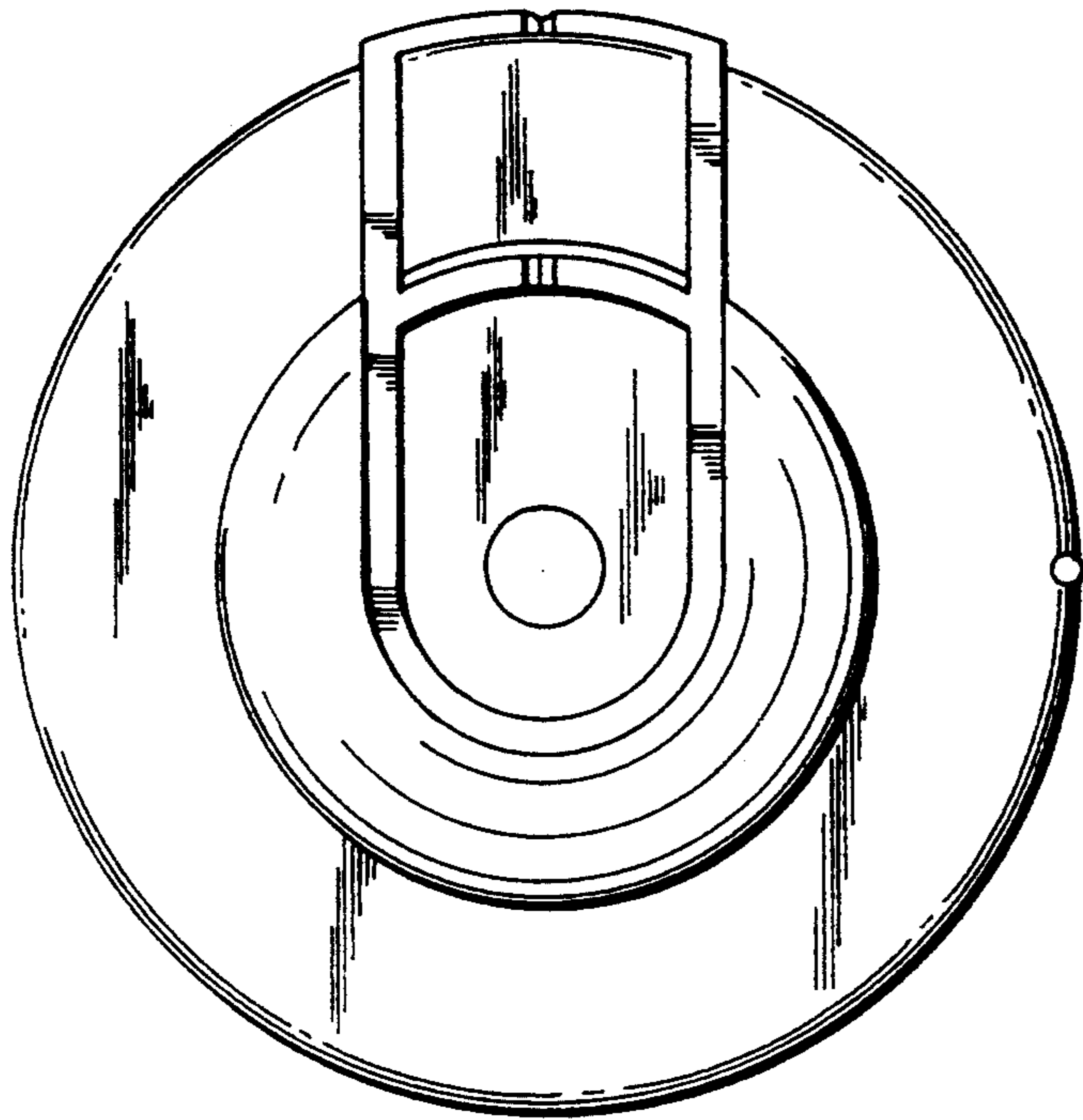


FIG. 4

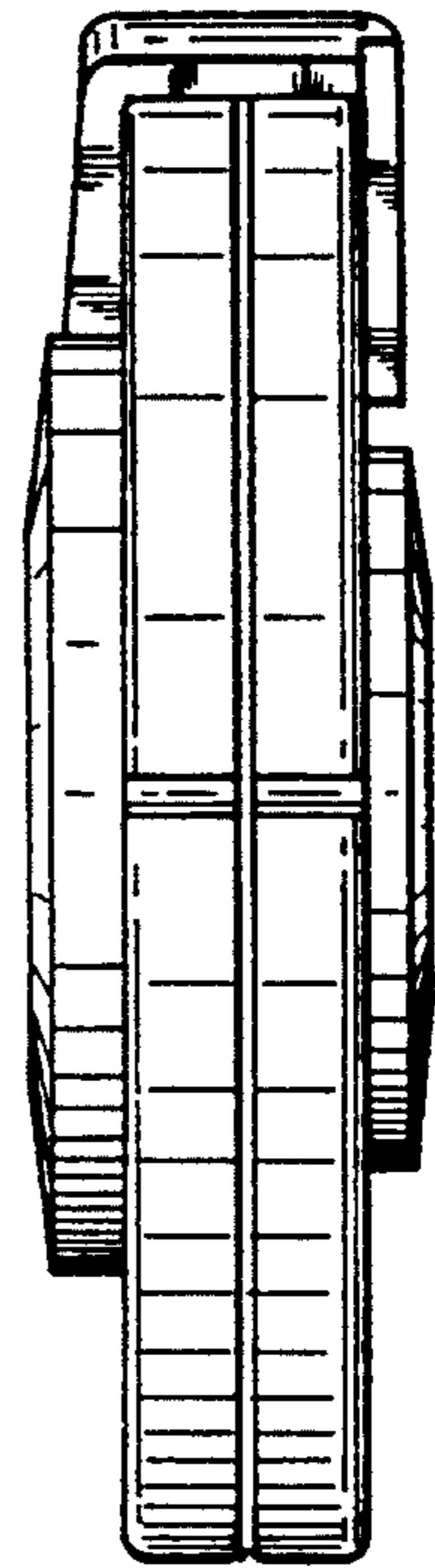


FIG. 6

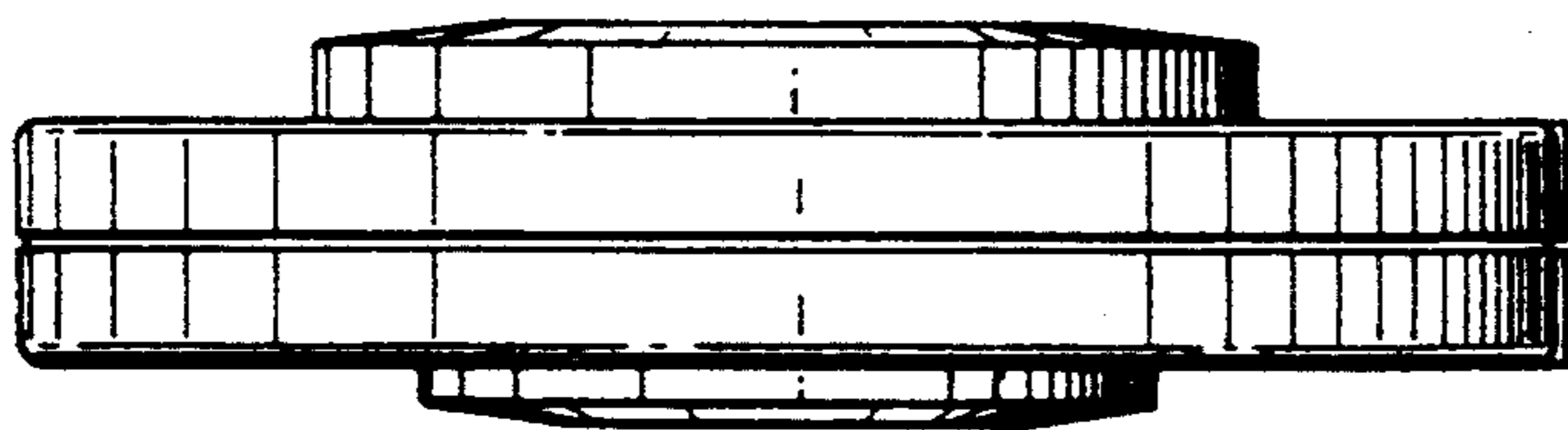


FIG. 5

FIG. 7

