



US00D349916S

# United States Patent [19]

[11] Patent Number: **Des. 349,916**

**Chen**

[45] Date of Patent: **\*\* Aug. 23, 1994**

## [54] CAMERA PLATFORM

[76] Inventor: **Chien-Shu Chen**, 4th Fl., No. 2-3,  
Lane 313, Chang An St., Lu Chou  
Hsiang, Taipei Hsien, Taiwan

[\*\*] Term: **14 Years**

[21] Appl. No.: **10,867**

[22] Filed: **Jul. 20, 1993**

[52] U.S. Cl. .... **D16/245; D16/243**

[58] Field of Search ..... 248/176, 177, 179, 183-185;  
354/81, 82, 293; D16/237, 242, 243, 244, 245

## [56] References Cited

### U.S. PATENT DOCUMENTS

D. 265,481	7/1982	Iwasaki	.....	D16/245
D. 289,899	5/1987	Iwasaki	.....	D16/245
D. 327,085	6/1992	Miyauchi	.....	D16/245
5,012,265	4/1991	Nakatani	.....	354/293

## FOREIGN PATENT DOCUMENTS

2364399 5/1978 France ..... 248/183

## OTHER PUBLICATIONS

Heiwa Catalog, cover page.

*Primary Examiner*—Bernard Ansher

*Assistant Examiner*—Adir Aronovich

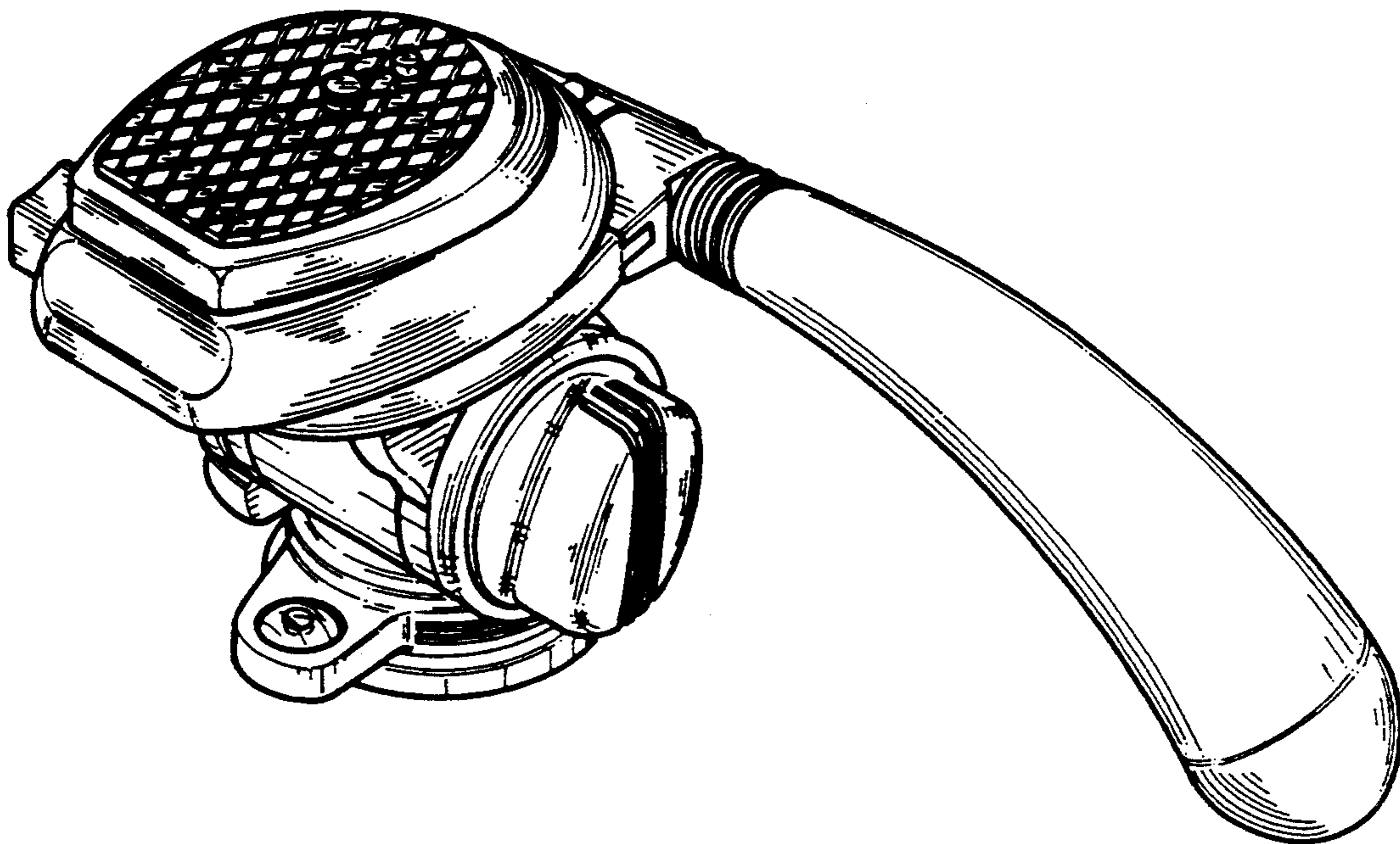
*Attorney, Agent, or Firm*—Morton J. Rosenberg; David I. Klein

## [57] CLAIM

The ornamental design for a camera platform, as shown.

## DESCRIPTION

FIG. 1 is a front-left-top perspective view of a camera platform, showing my new design; FIG. 2 is a front view thereof; FIG. 3 is a rear view thereof; FIG. 4 is a left side view thereof; FIG. 5 is a right side view thereof; FIG. 6 is a top view thereof; and, FIG. 7 is a bottom view thereof.



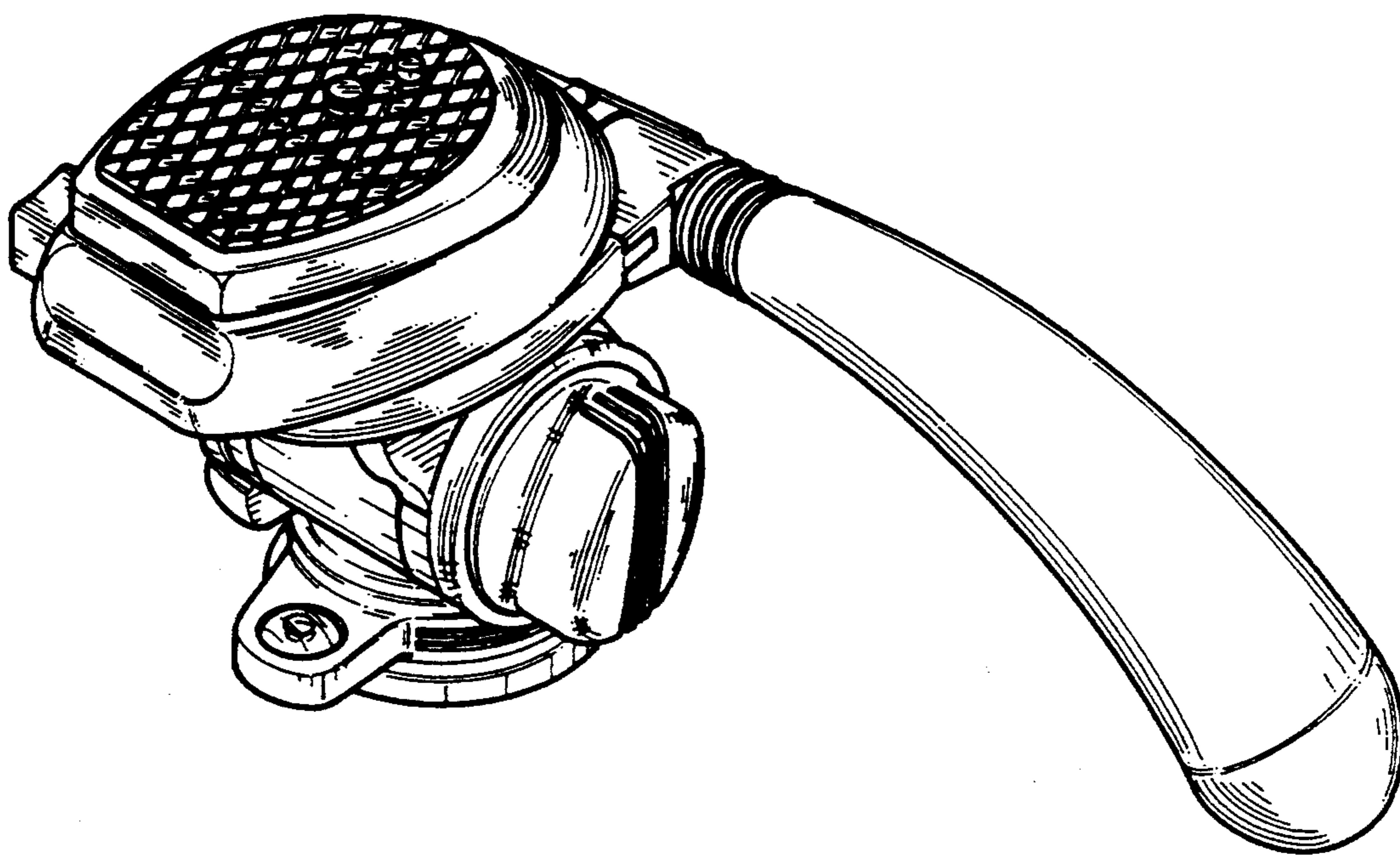


FIG.1

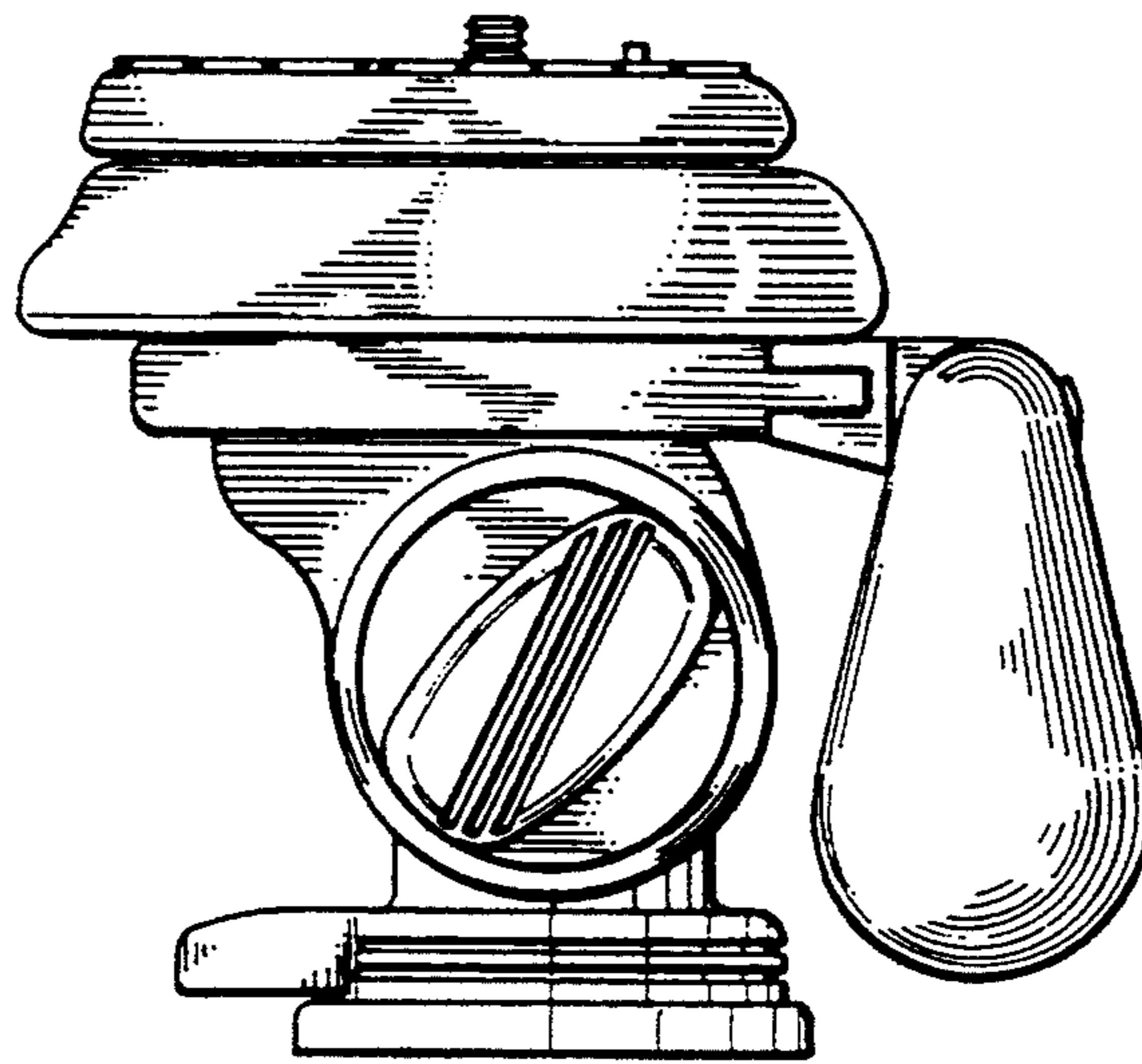


FIG. 2

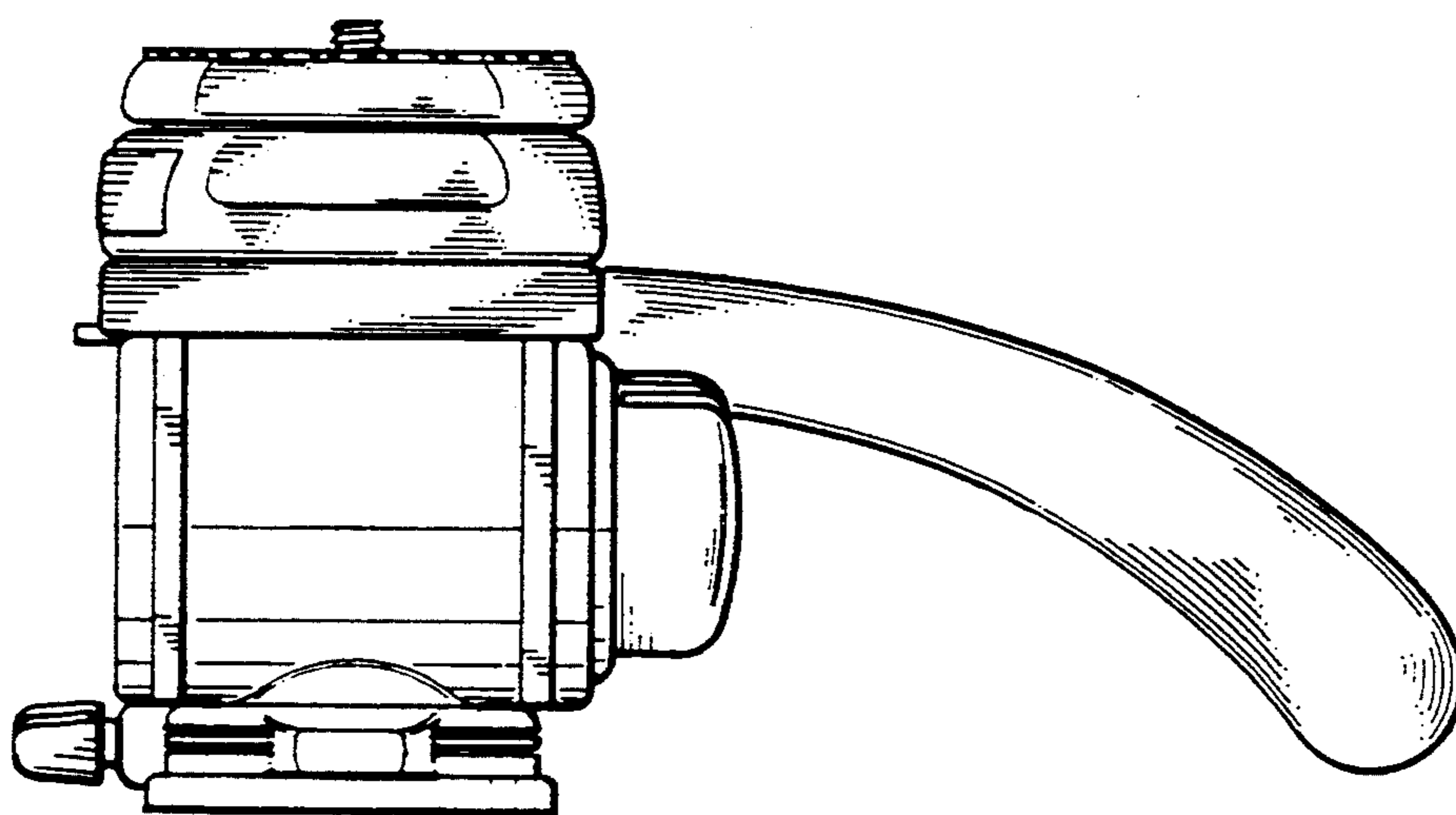


FIG. 4

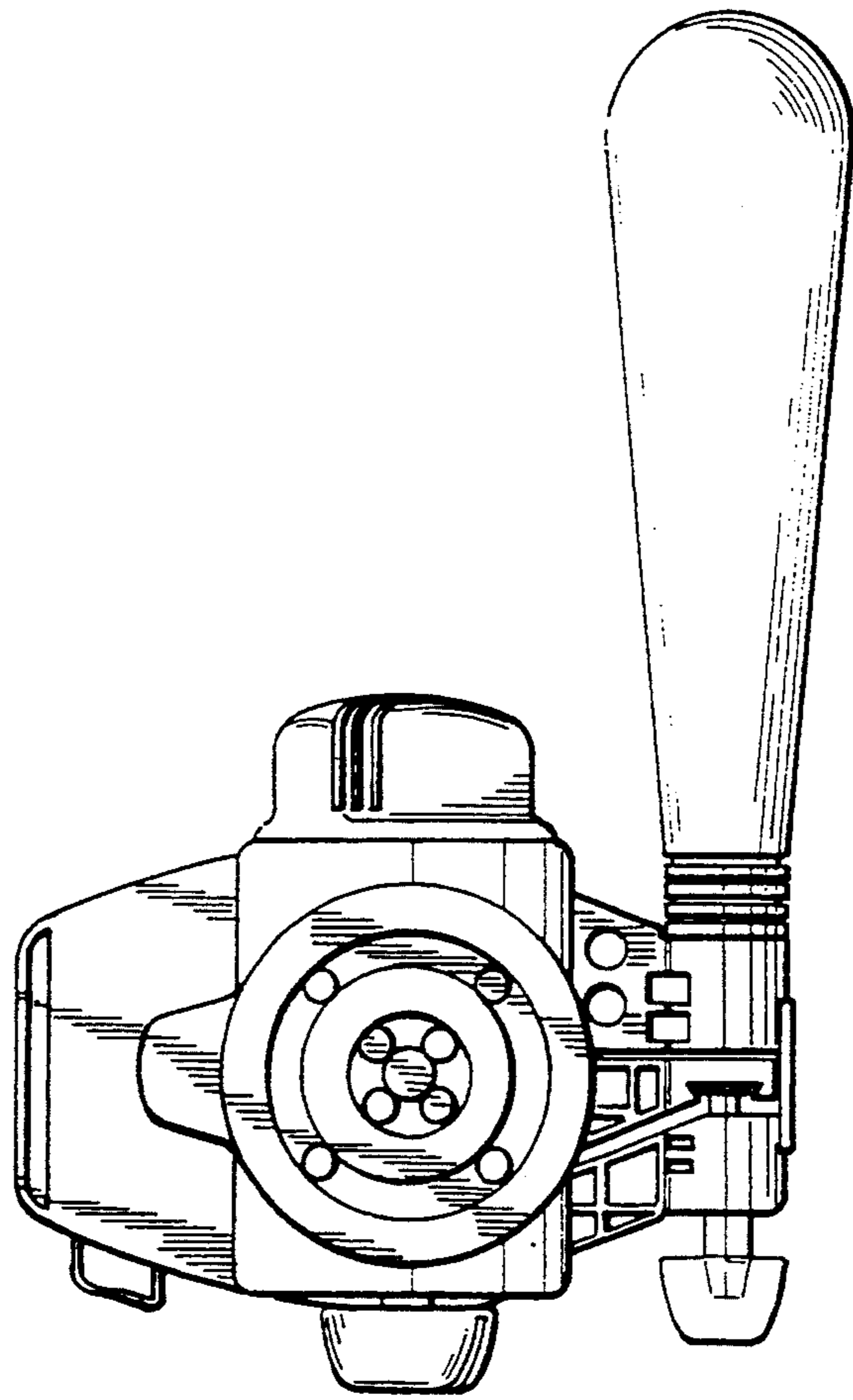


FIG. 7

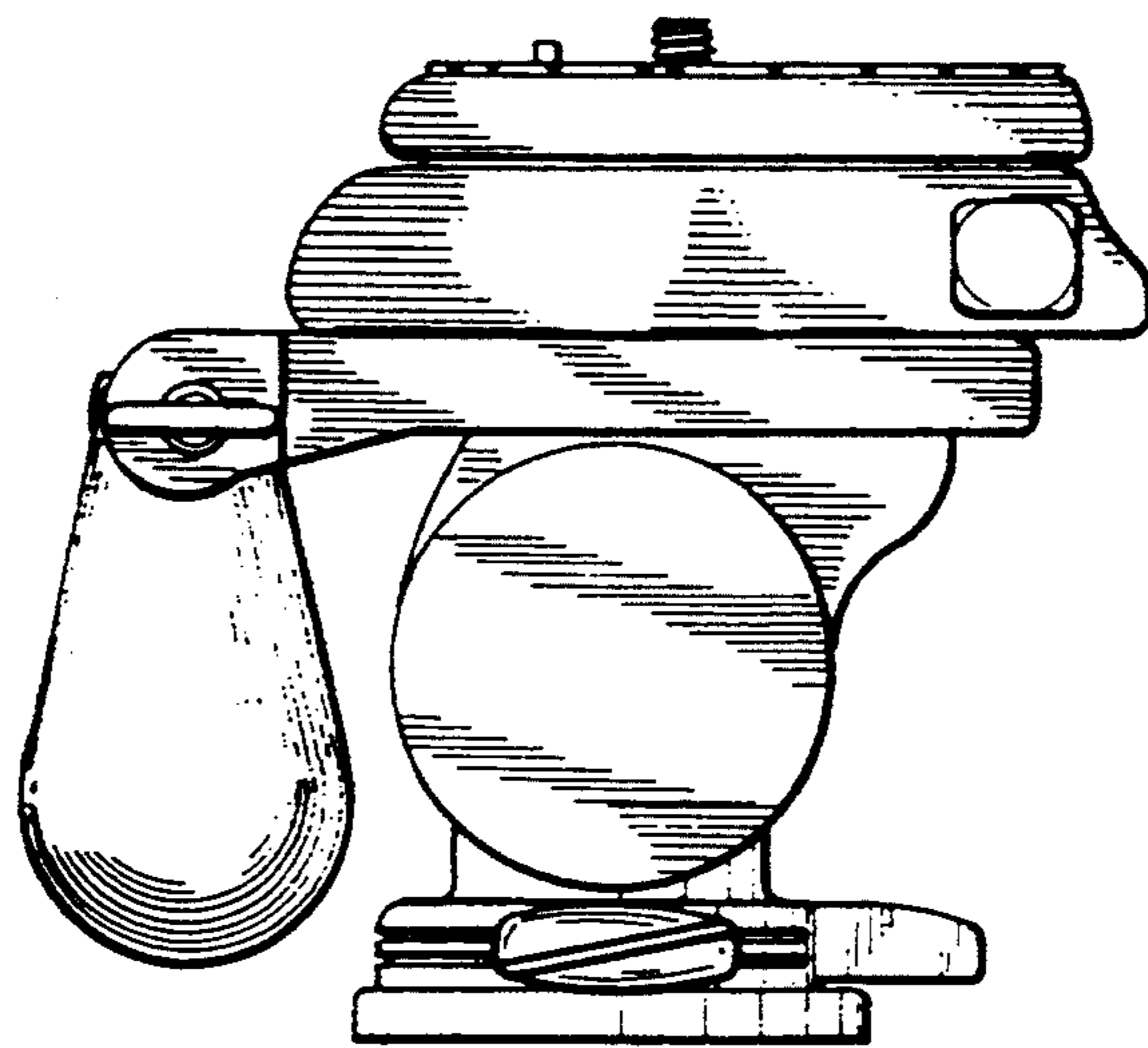


FIG. 3

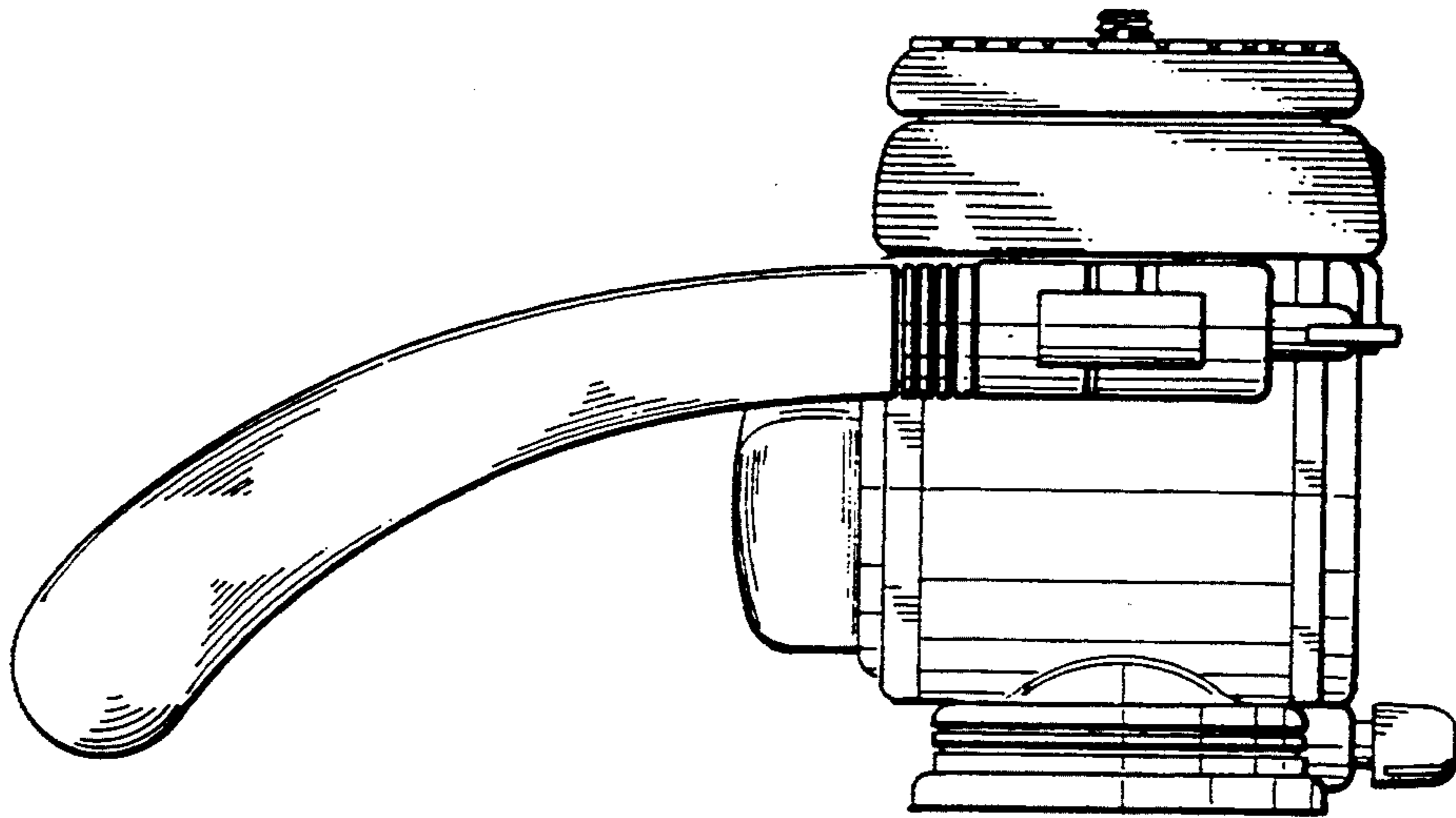


FIG. 5

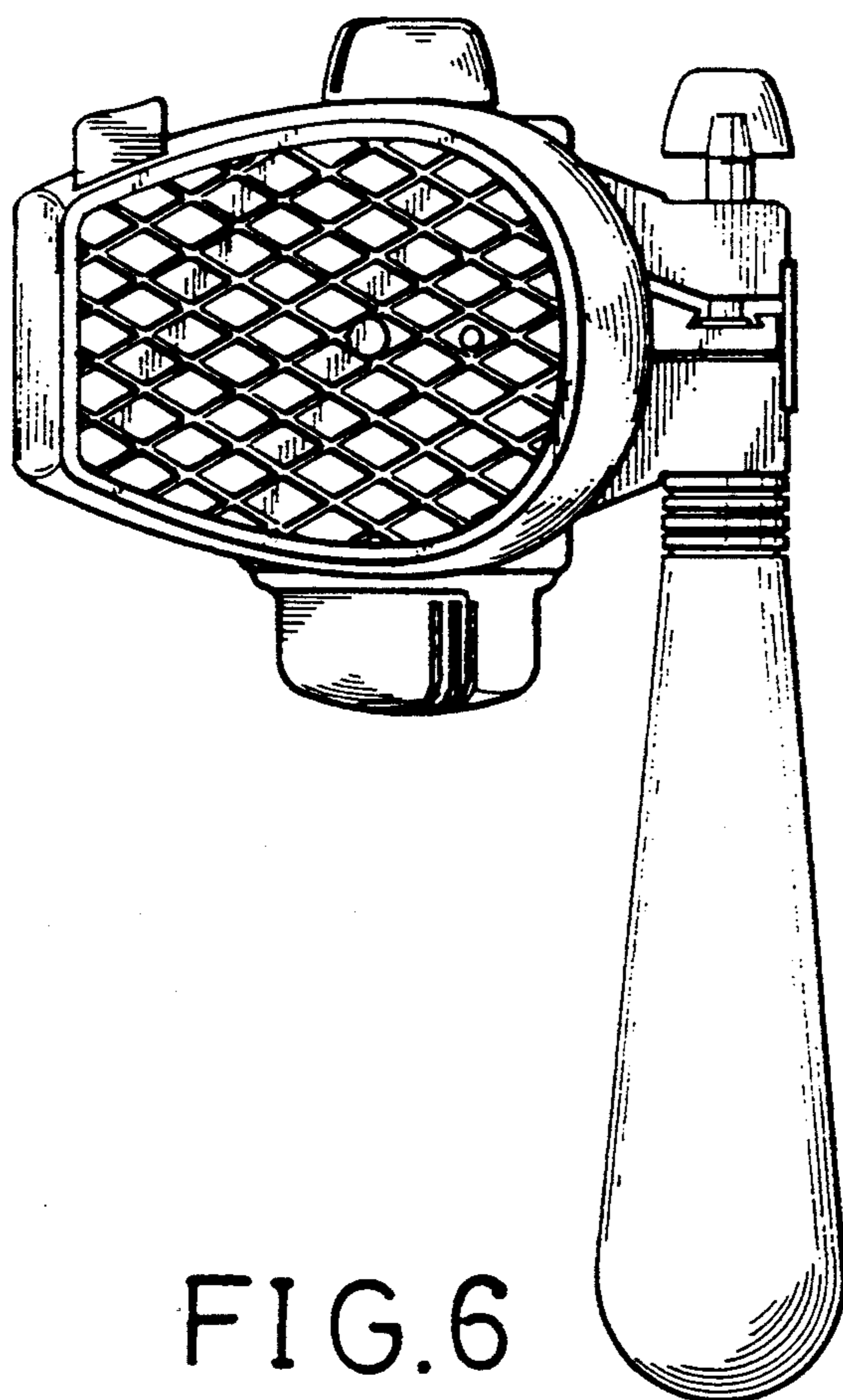


FIG. 6