



US00D349915S

United States Patent [19]

[11] Patent Number: **Des. 349,915**

Hanke

[45] Date of Patent: **** Aug. 23, 1994**

[54] **TRIPOD**

2,519,549	8/1950	Coutant et al.	248/188.5
4,324,477	4/1982	Miyazaki	248/171
5,267,712	12/1993	Shen	248/179

[75] Inventor: **Rudolph M. Hanke**, Monheim, Fed. Rep. of Germany

[73] Assignee: **Hama Hamaphot KG Hanke & Thomas**, Monheim, Fed. Rep. of Germany

[**] Term: **14 Years**

[21] Appl. No.: **2,787**

[22] Filed: **Dec. 21, 1992**

[30] **Foreign Application Priority Data**

Aug. 17, 1992	[XH]	Hague	DM/023646
[52]	U.S. Cl.		D16/244
[58]	Field of Search	248/168-171,	
			248/188.5, 179; 354/81, 293; D16/237, 242,	
			244, 245	

[56] **References Cited**

U.S. PATENT DOCUMENTS

D. 258,661	3/1981	Shiraishi	D16/244
D. 269,880	7/1983	Iwasaki	D16/244
D. 343,185	1/1994	Baker	D16/244

OTHER PUBLICATIONS

35 MM Photography, Jun. 1985 p. 13.
Modern Photography, Jun. 1985 p. 50.

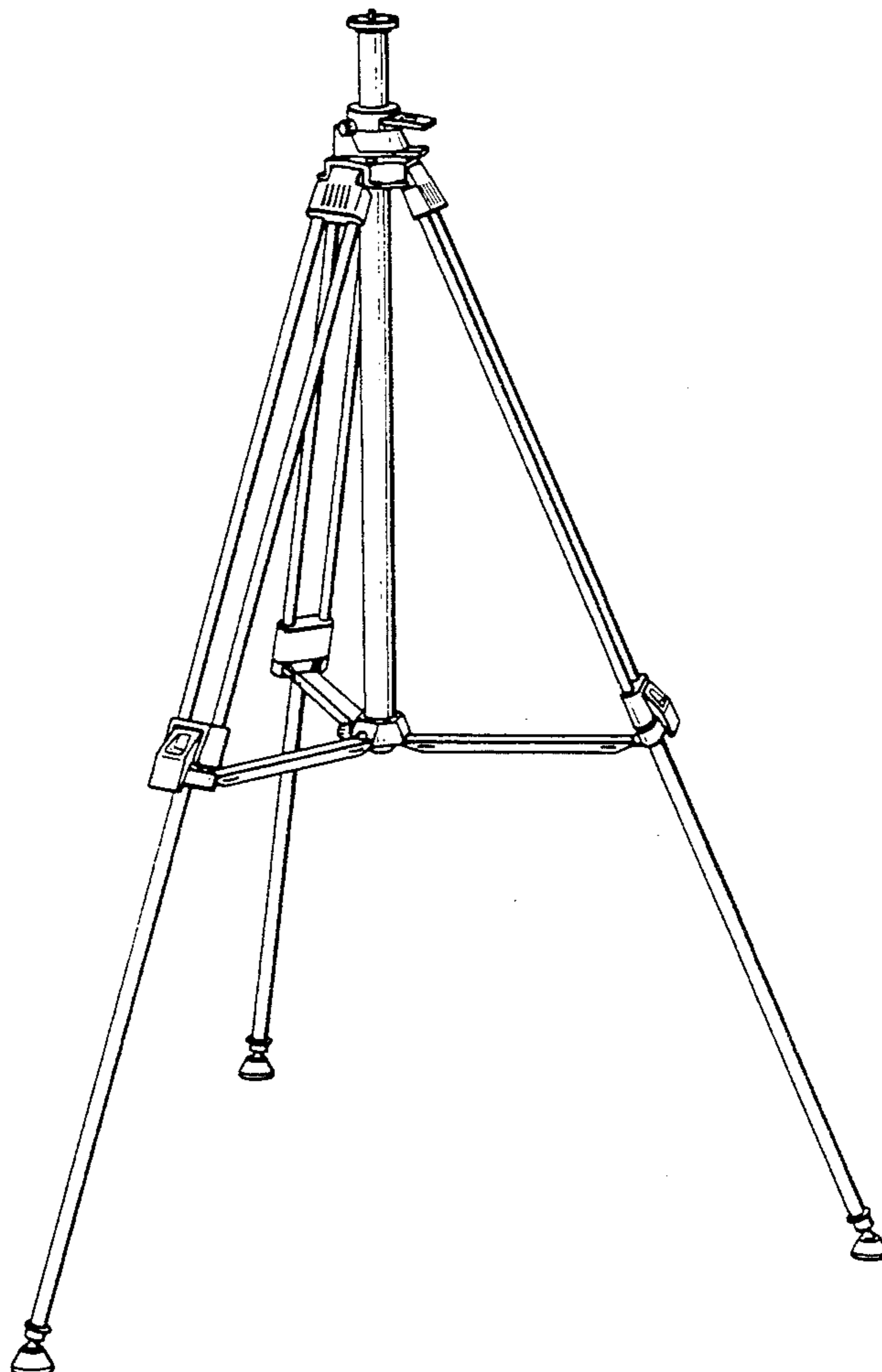
Primary Examiner—Bernard Ansher
Assistant Examiner—Adir Aronovich
Attorney, Agent, or Firm—Marshall, O'Toole, Gerstein, Murray & Borun

[57] **CLAIM**

The ornamental design for a tripod, as shown and described.

DESCRIPTION

FIG. 1 is a front perspective view of a tripod showing my new design, with the legs in extended position; FIG. 2 is a front elevational view thereof; FIG. 3 is a rear elevational view thereof; FIG. 4 is a side elevational view thereof; FIG. 5 is a side elevational view thereof, opposite of that shown in FIG. 4; FIG. 6 is a top plan view thereof; and, FIG. 7 is a bottom plan view thereof.



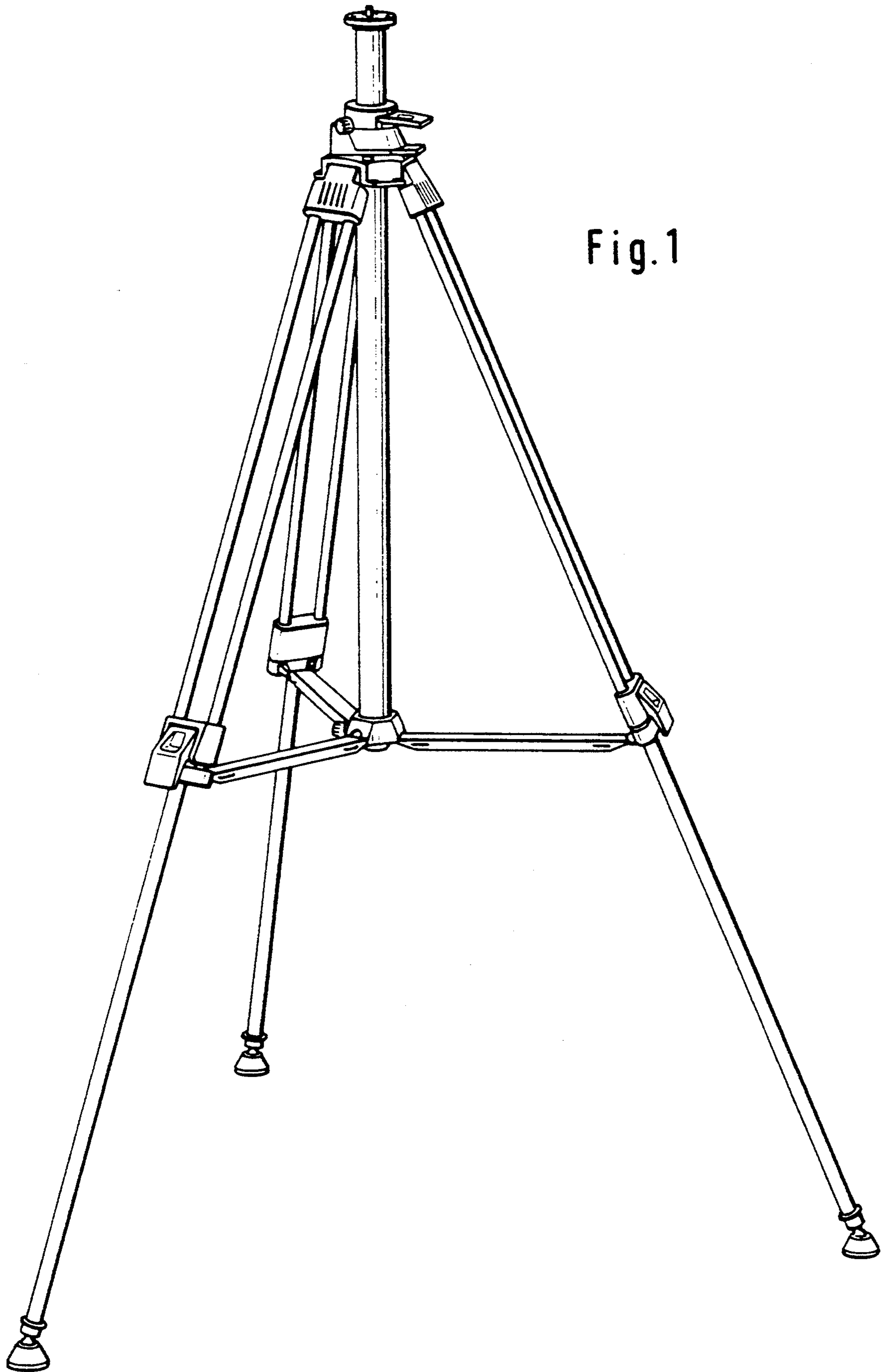
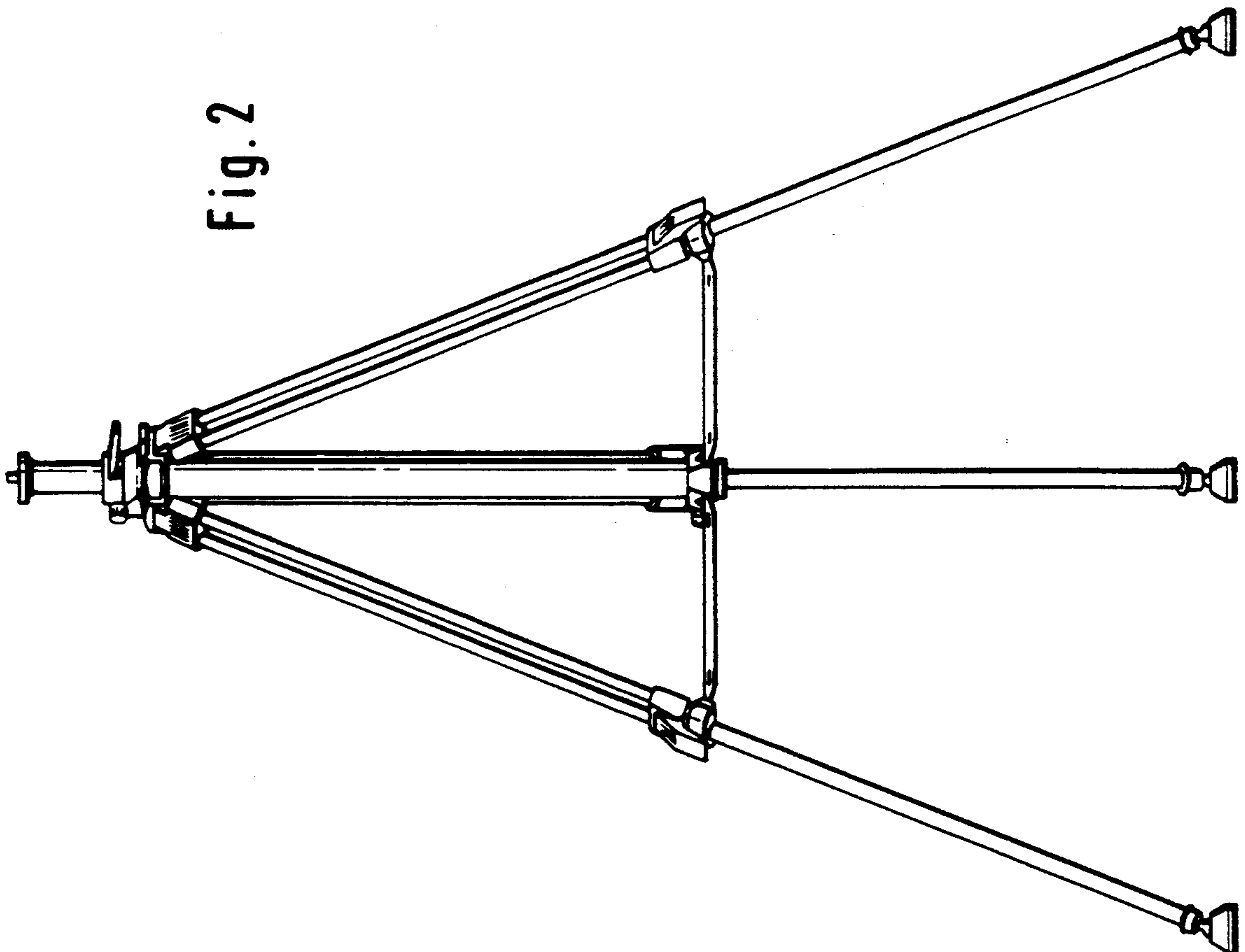
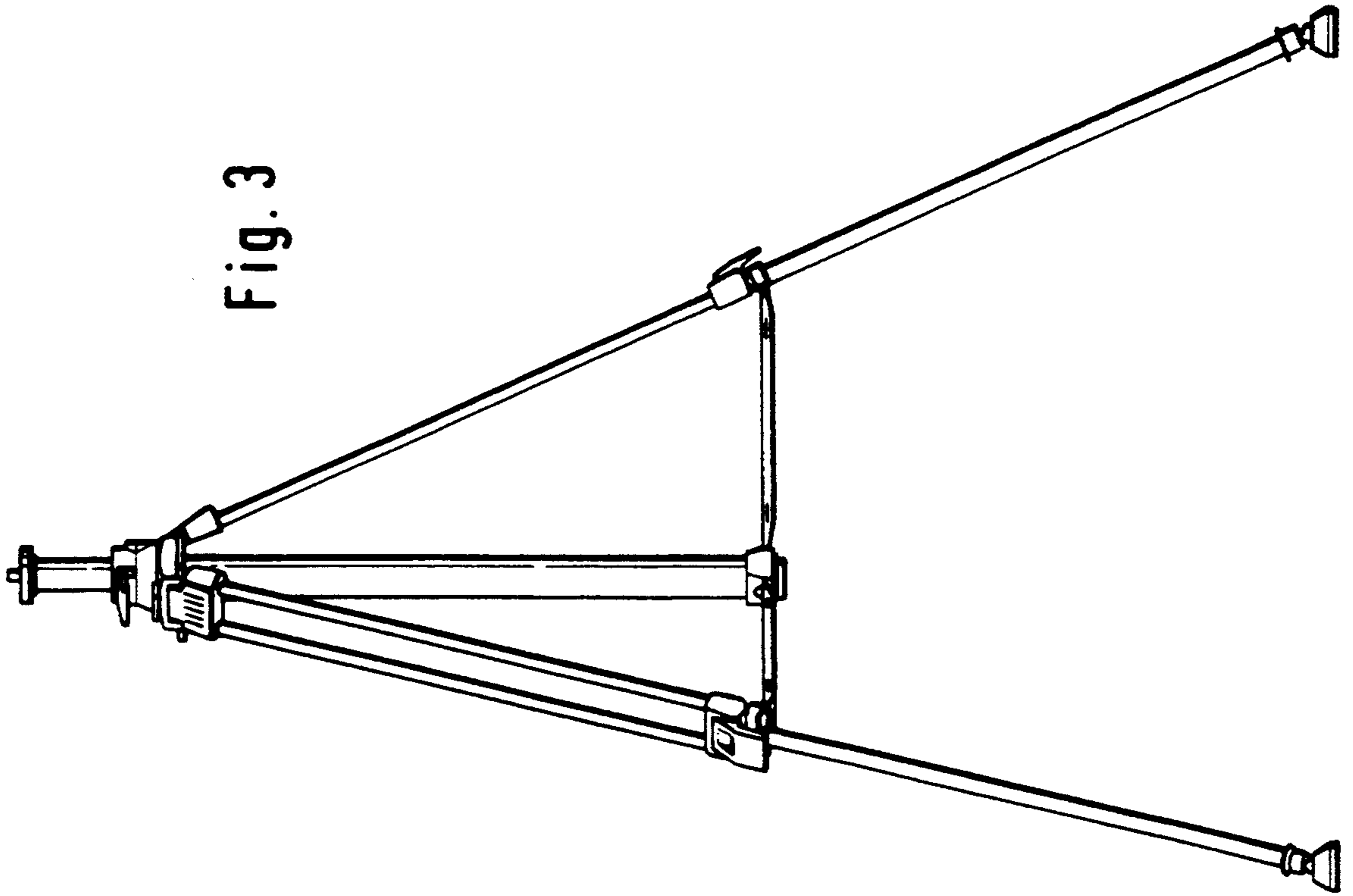


Fig. 1



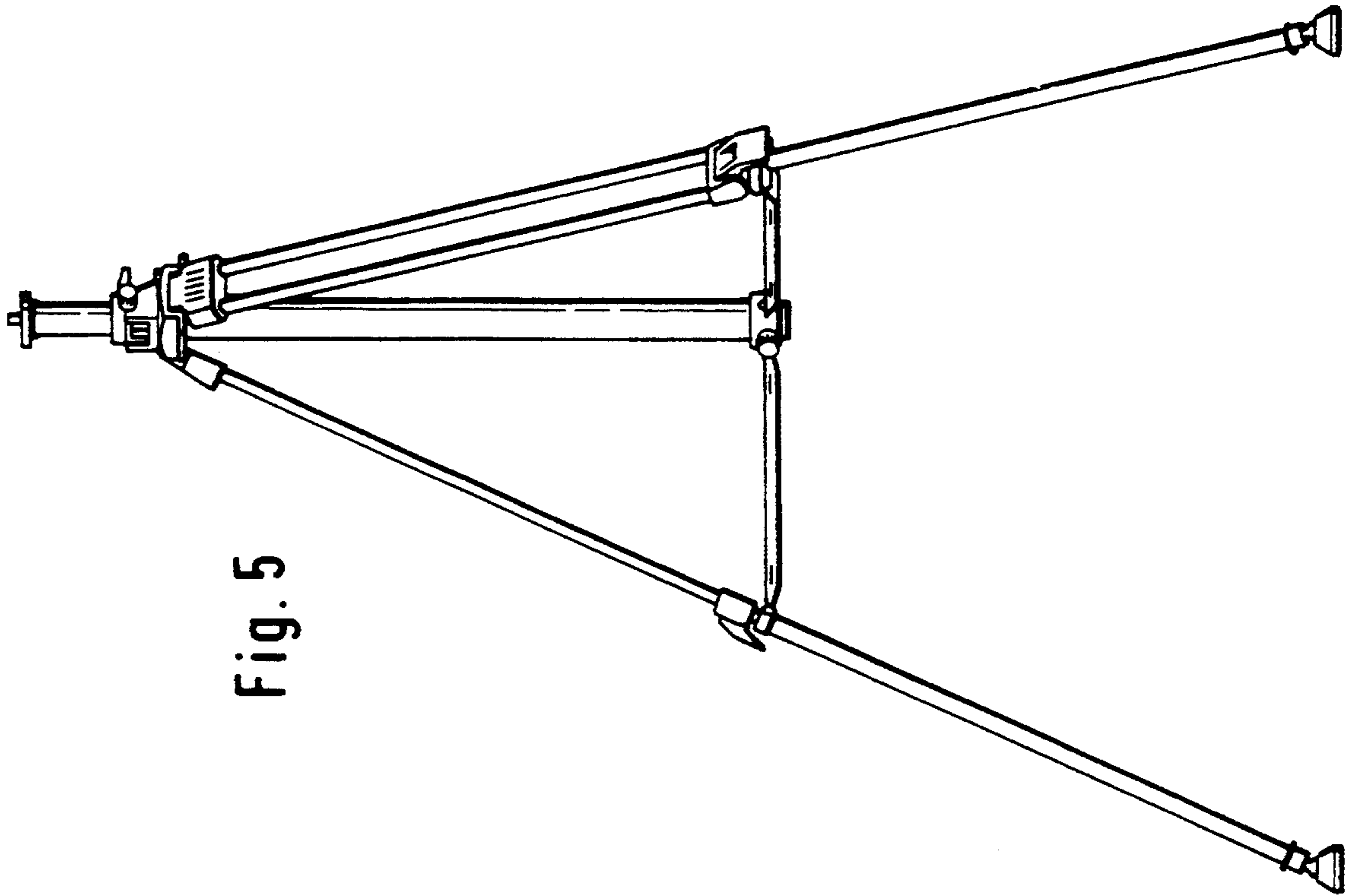


Fig. 5

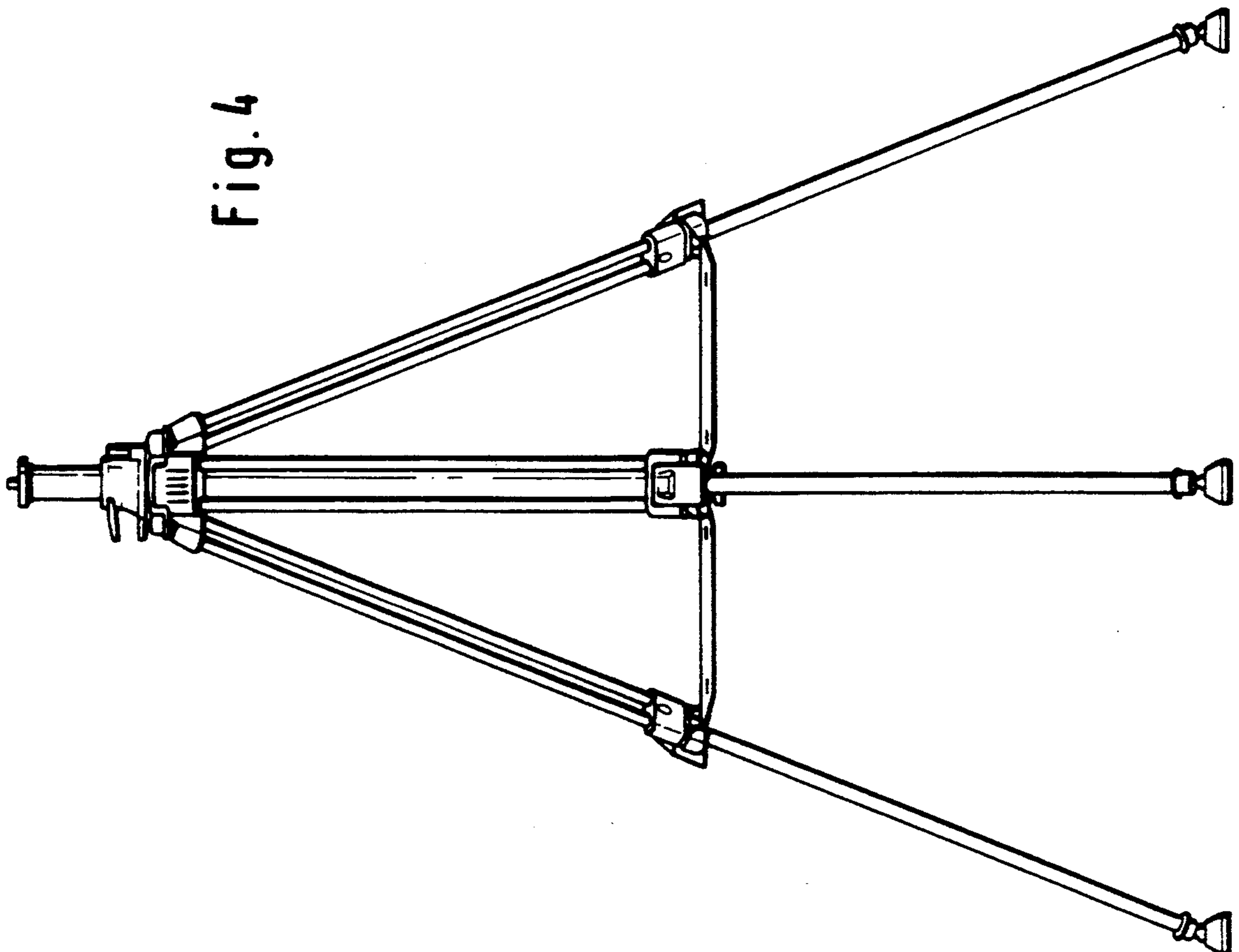


Fig. 4

Fig. 6

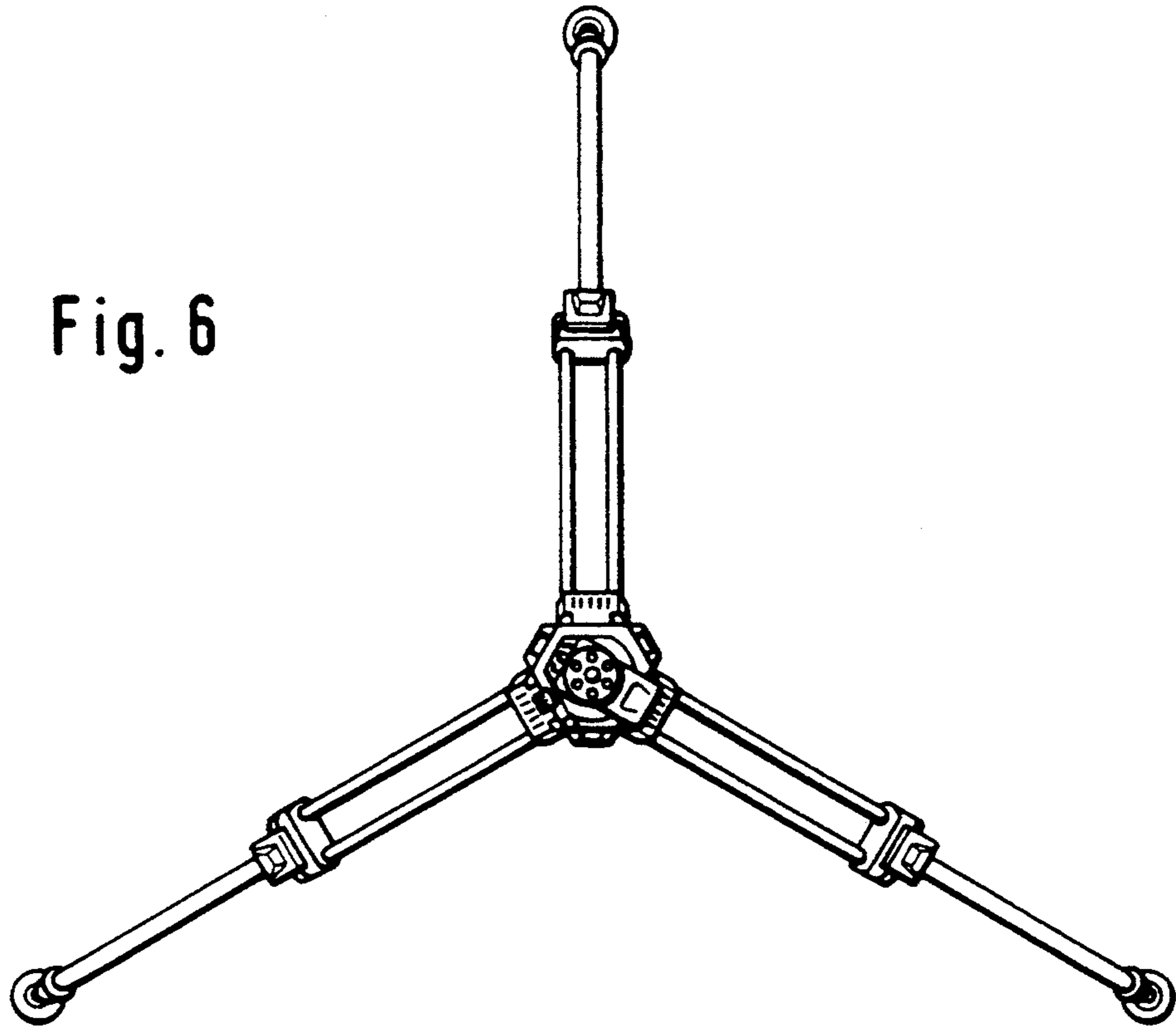


Fig. 7

