



US00D349914S

United States Patent [19]

[11] Patent Number: **Des. 349,914**

Usui

[45] Date of Patent: **** Aug. 23, 1994**

[54] **TRIPOD FOR CAMERA**

[75] Inventor: **Hisaichi Usui**, Tama, Japan

[73] Assignee: **Habuka Shashin Sangyo Kabushiki Kaisha**, Tokyo, Japan

[**] Term: **14 Years**

[21] Appl. No.: **839,214**

[22] Filed: **Feb. 18, 1992**

[52] U.S. Cl. **D16/244**

[58] Field of Search 248/168-171;
354/81, 293; 352/243; D16/244, 245

[56] **References Cited**

U.S. PATENT DOCUMENTS

D. 299,243	1/1989	Iwasaki	D16/244
798,371	8/1905	Ward	248/168
3,300,165	1/1967	O'Kane	248/168
4,648,698	3/1987	Iwasaki	354/293
4,751,540	6/1988	Jones	354/293

Primary Examiner—Bernard Ansher
Assistant Examiner—Adir Aronovich
Attorney, Agent, or Firm—Lackebach Siegel Marzullo Aronson & Greenspan

[57] **CLAIM**

The ornamental design for a tripod for camera, as shown.

DESCRIPTION

FIG. 1 is a top plan view of a tripod for a camera showing my new design;
FIG. 2 is a bottom plan view thereof;
FIG. 3 is a rear elevational view thereof;
FIG. 4 is a front elevational view thereof;
FIG. 5 is a right hand side elevational view thereof;
FIG. 6 is a left hand side elevational view thereof;
FIG. 7 is a perspective view thereof;
FIG. 8 is a perspective view thereof, with the pan head in a vertical position; and,
FIG. 9 is a perspective view thereof, the tripod shown in a folded position.

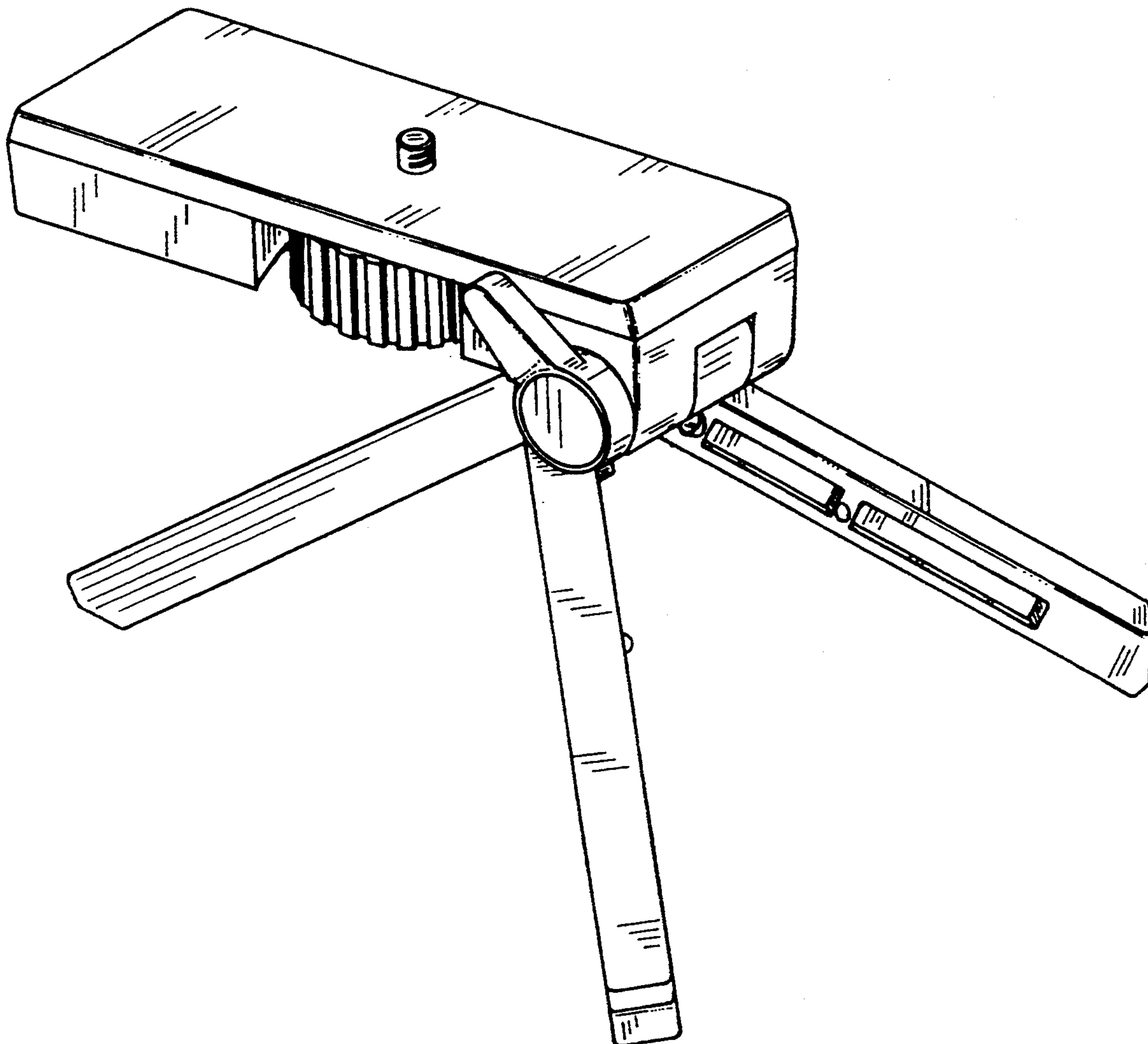


FIG. 1

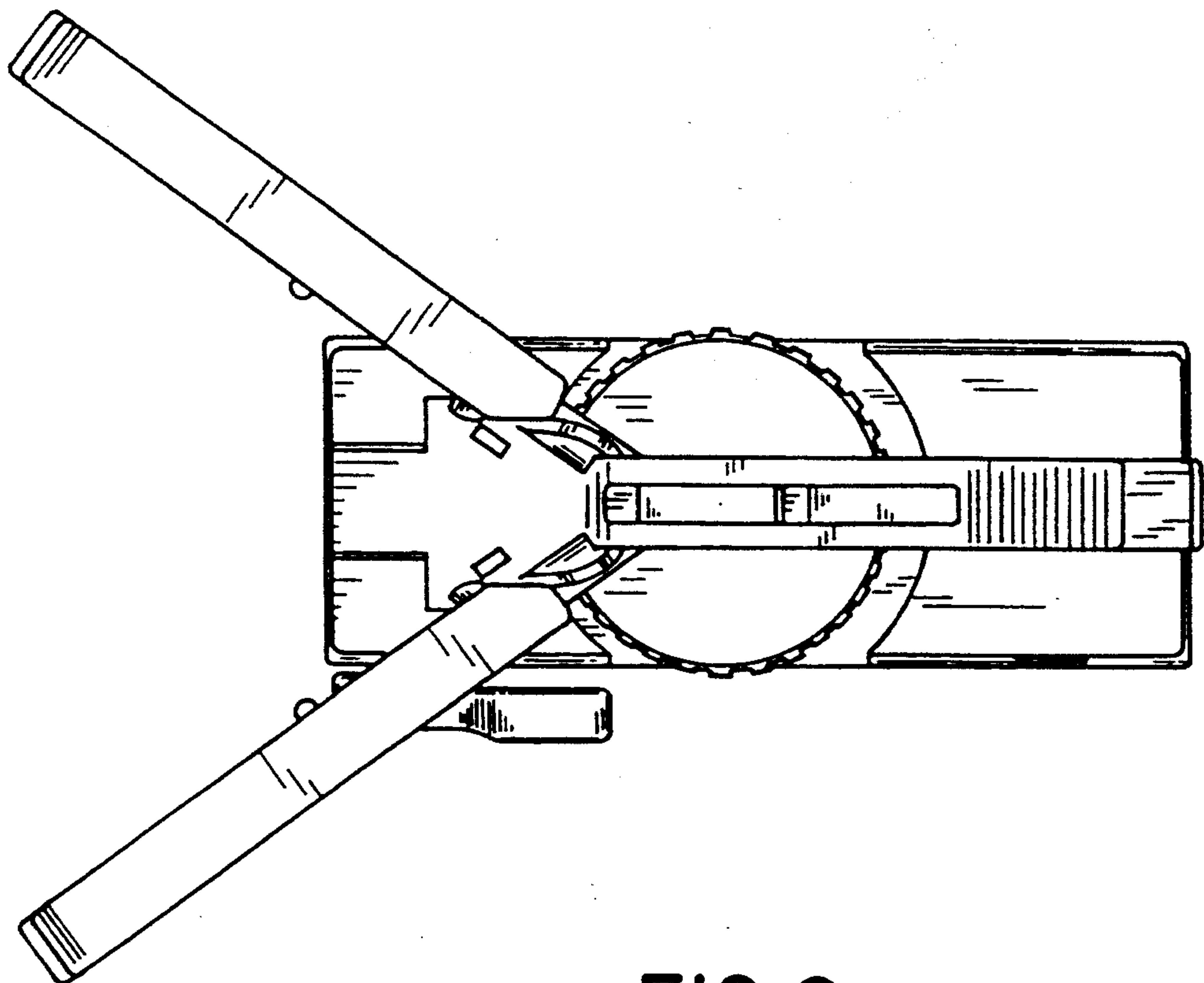
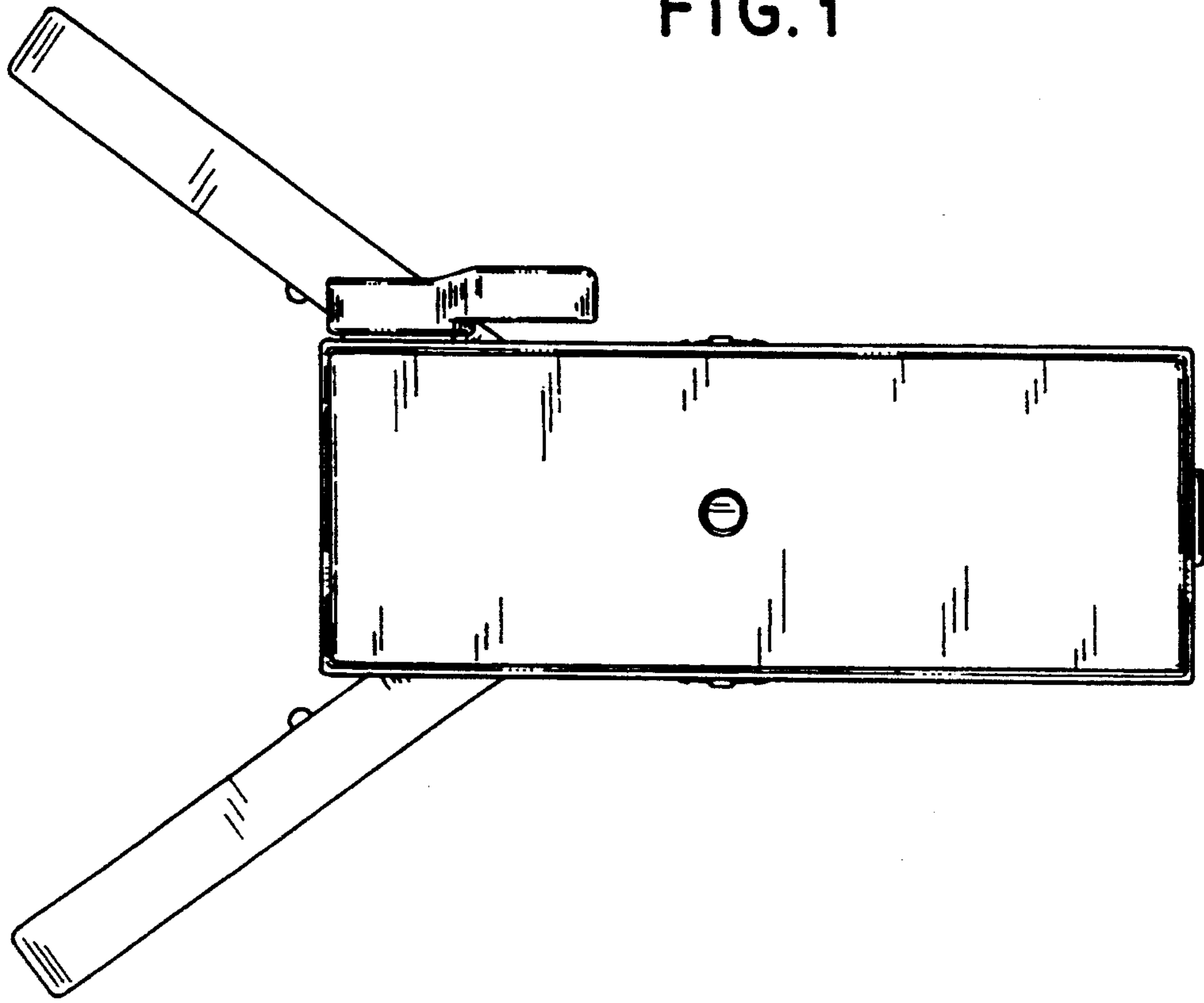


FIG. 2

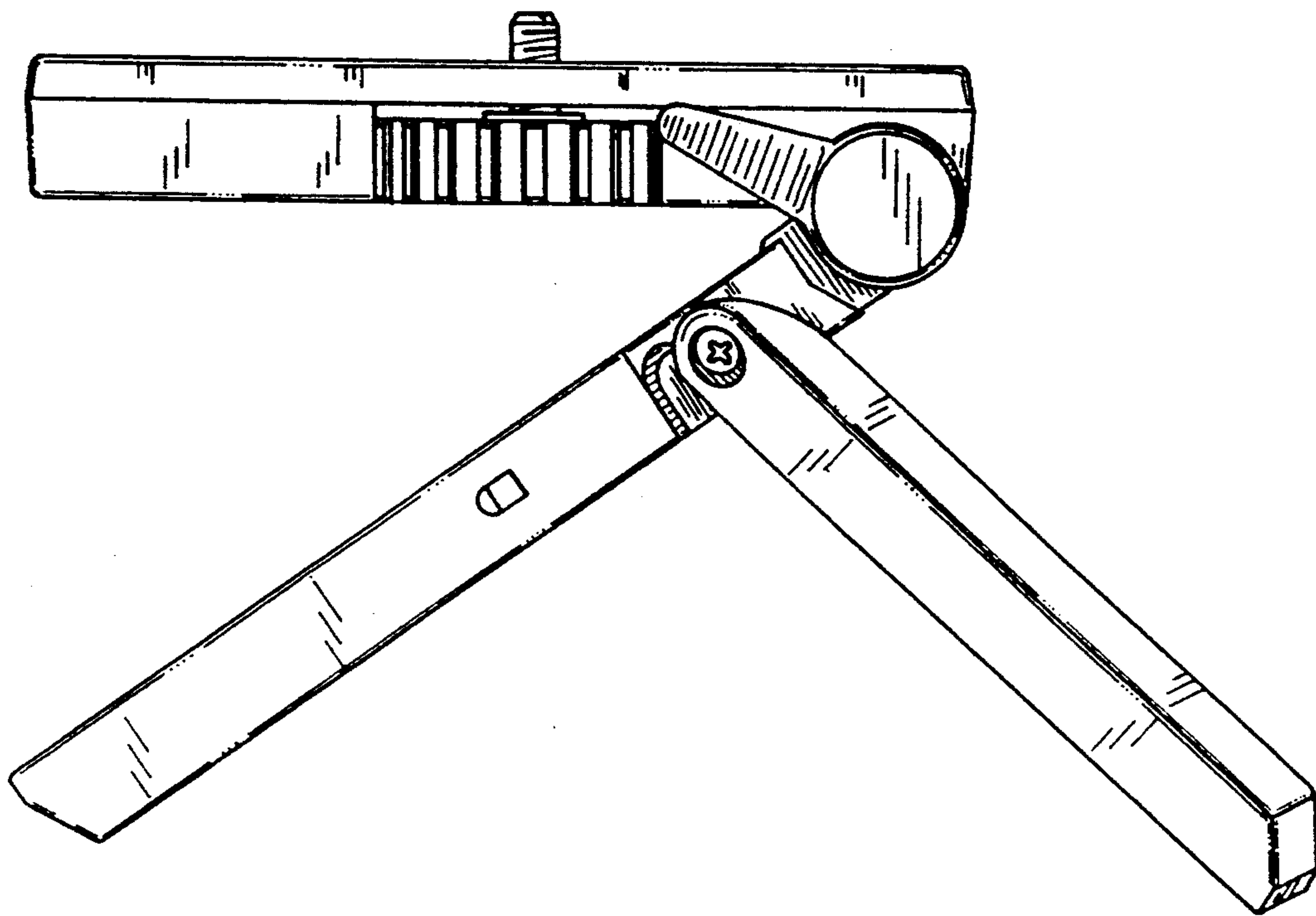


FIG. 3

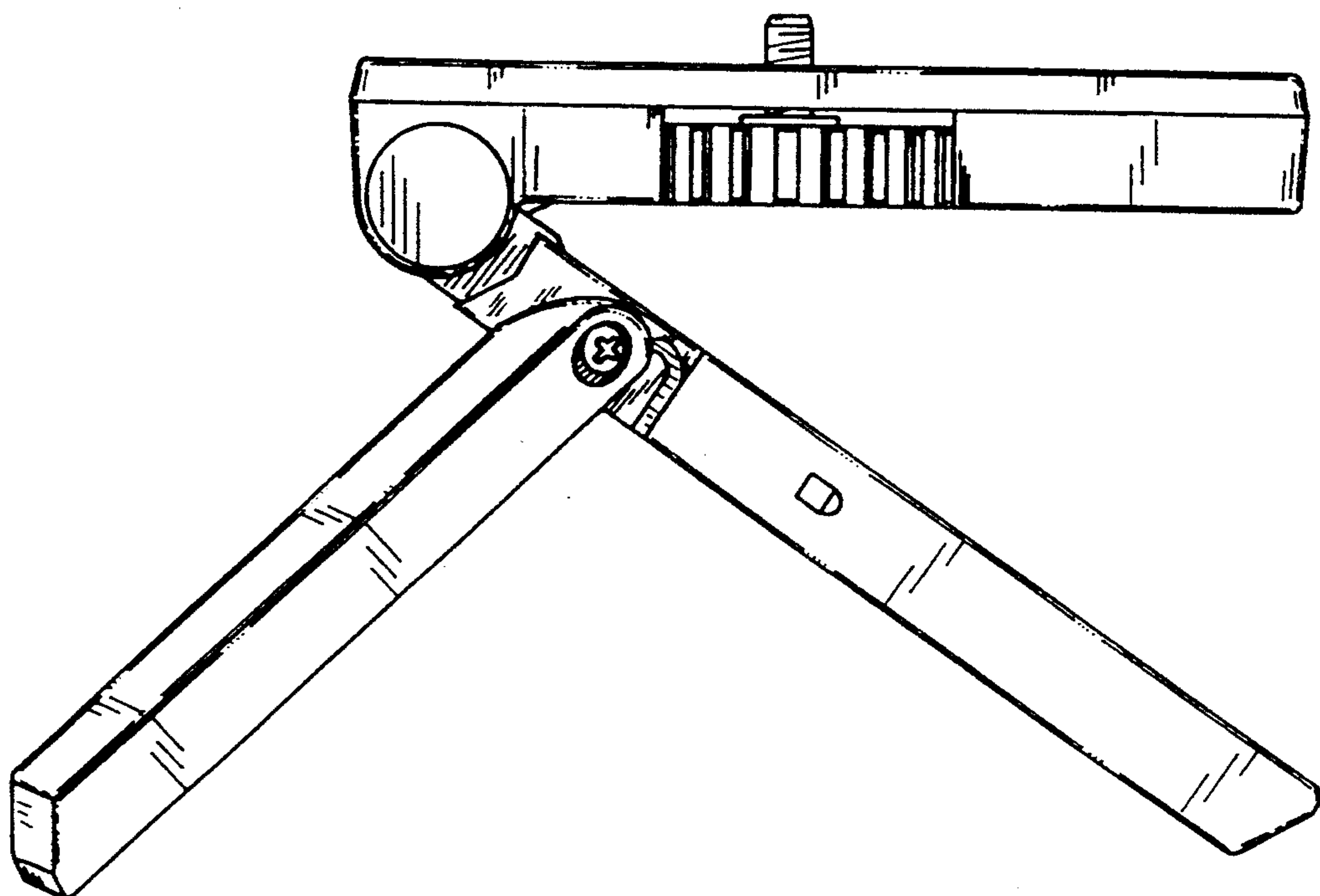


FIG. 4

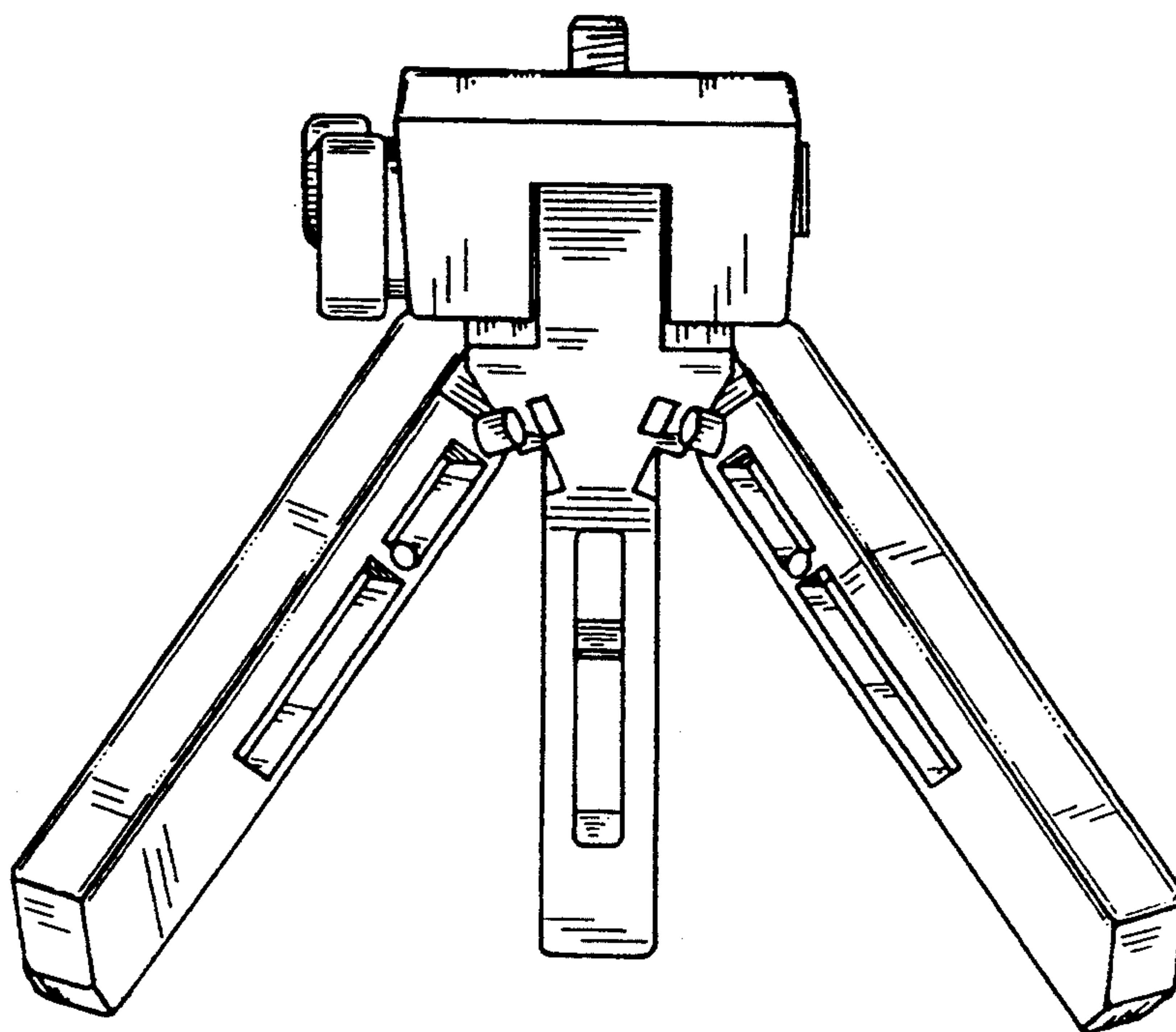


FIG. 5

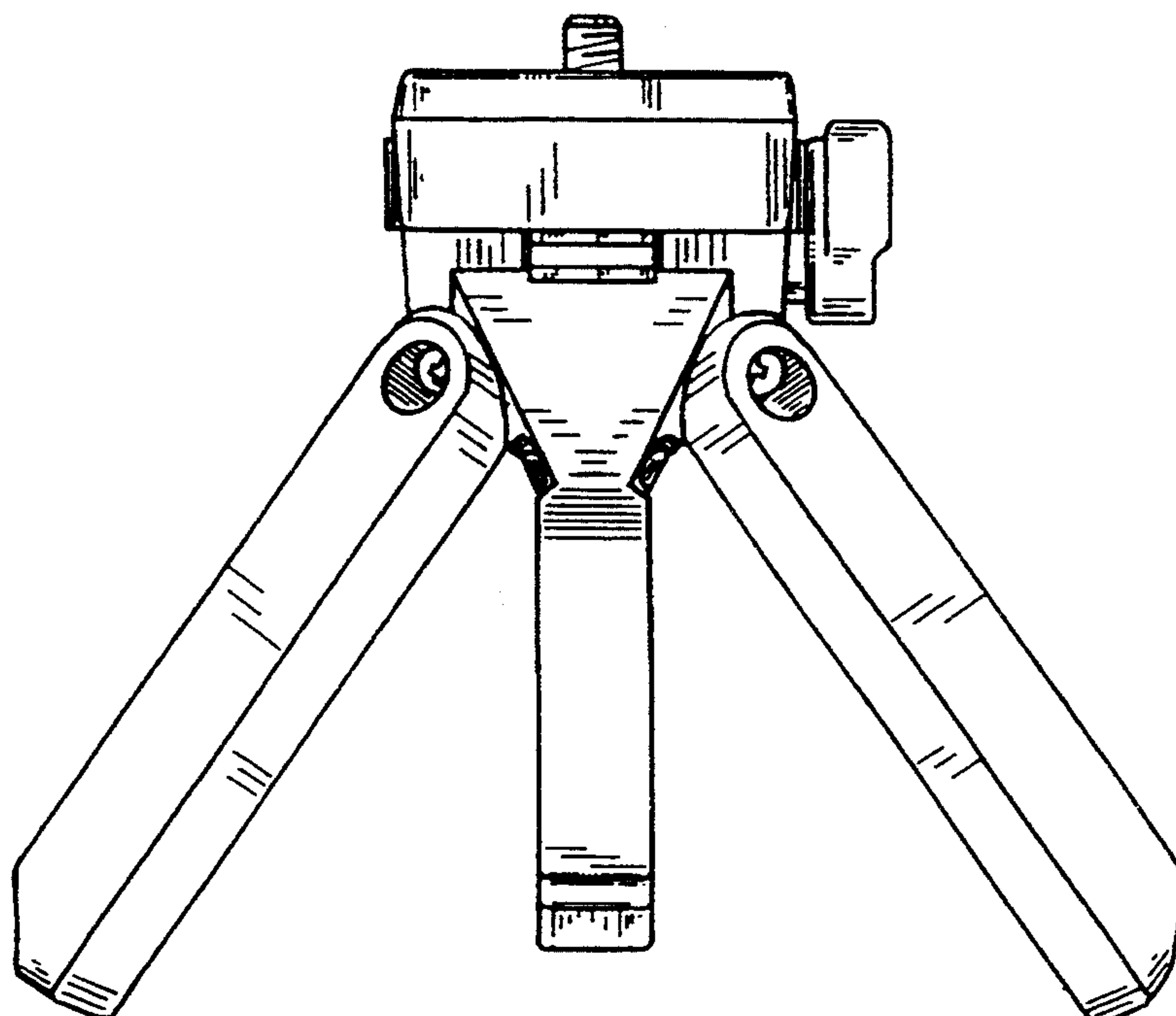


FIG. 6

FIG. 9

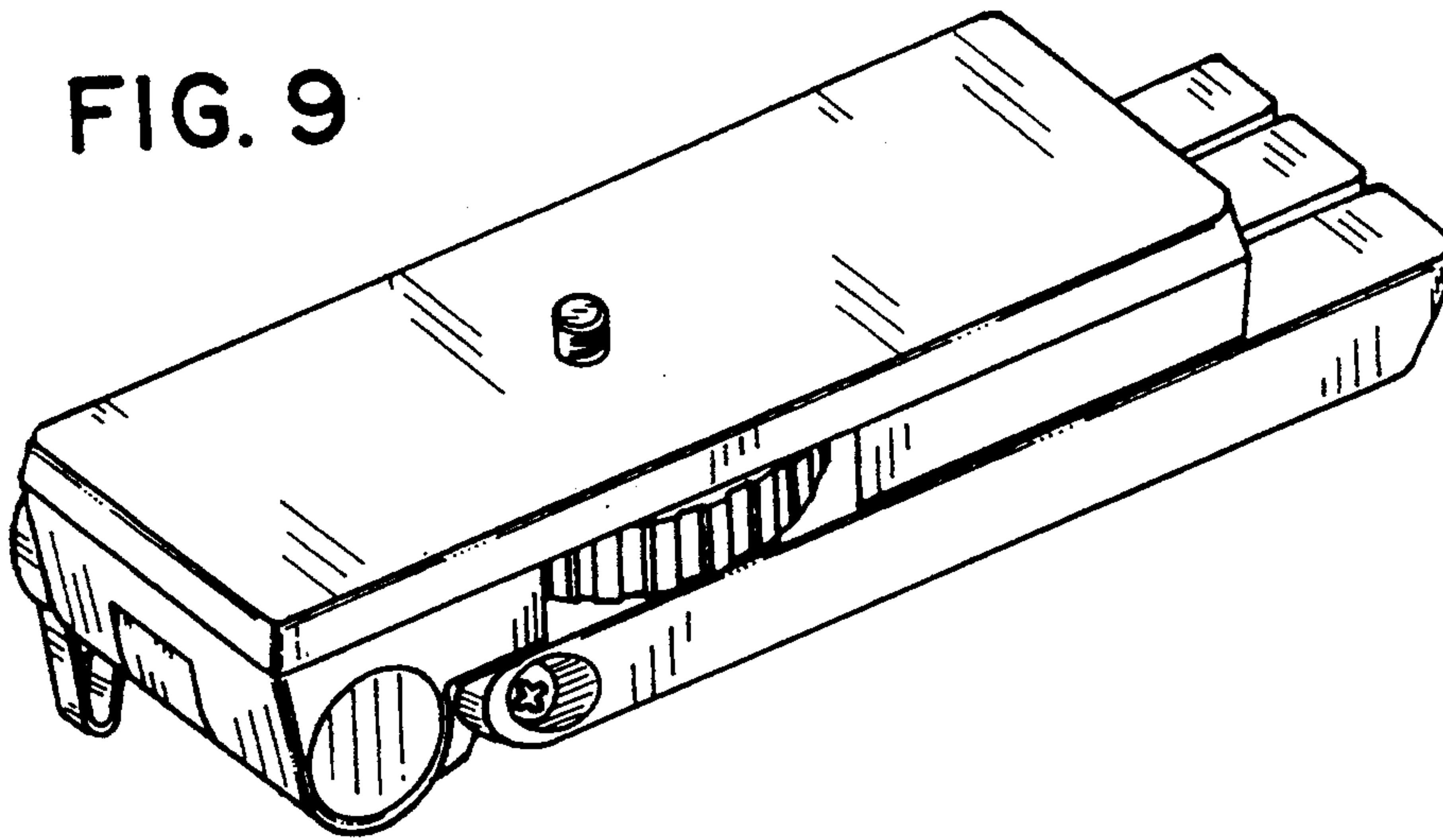
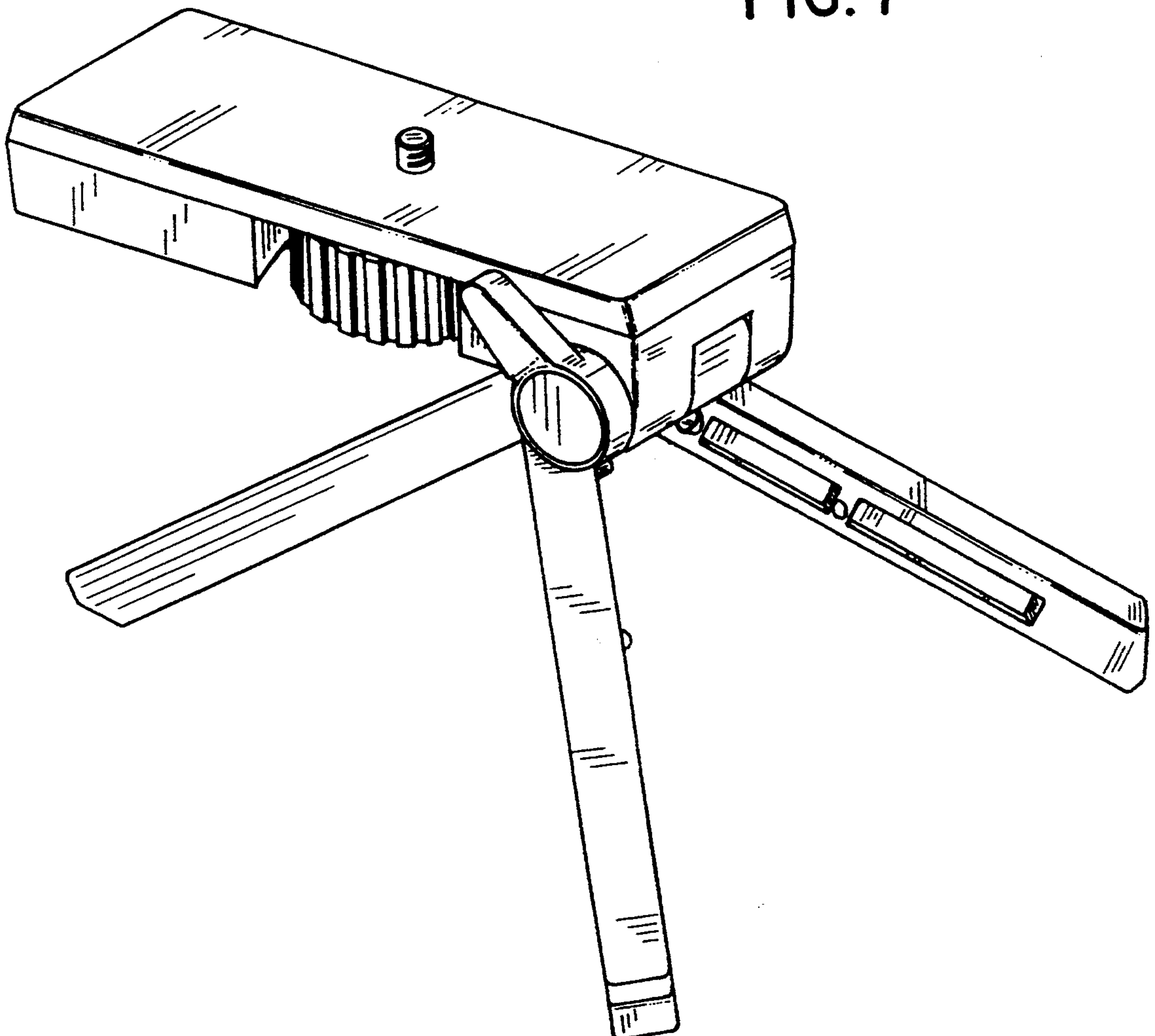


FIG. 7



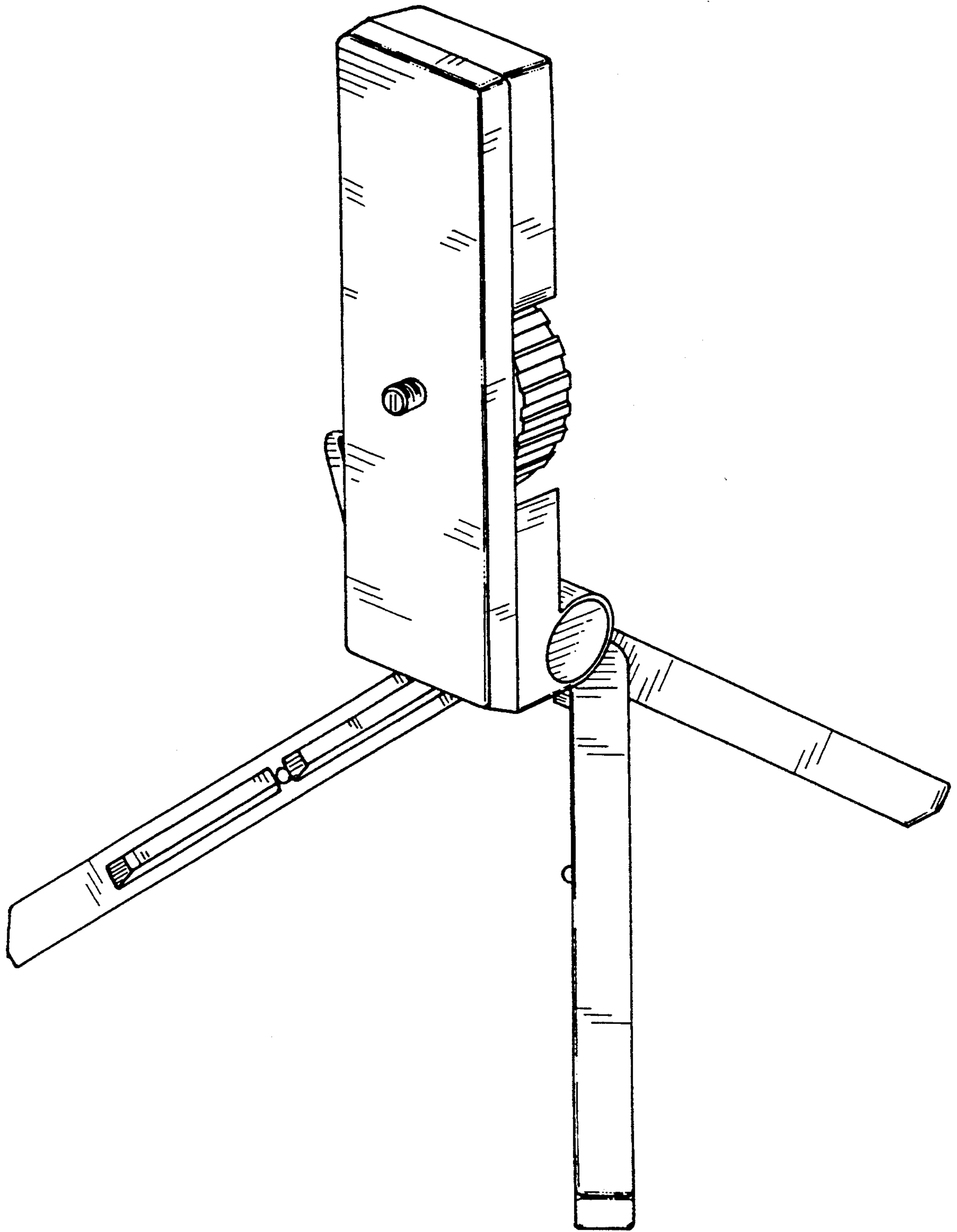


FIG. 8