



US00D349913S

United States Patent [19]

[11] Patent Number: **Des. 349,913**

Morris

[45] Date of Patent: **** Aug. 23, 1994**

[54] **SURVEILLANCE VIDEO CAMERA SECURITY BOX**

4,398,212 8/1983 Serry et al. 348/373

[76] Inventor: **Bryan W. Morris**, 6225 N. 29th St., Arlington, Va. 22207

OTHER PUBLICATIONS

Hardware Age, Jan. 1977 p. 128 (A Safebox at the Top Left of the Page.

[**] Term: **14 Years**

Primary Examiner—Bernard Ansher
Assistant Examiner—Adir Aronovich
Attorney, Agent, or Firm—Wallace J. Nelson

[21] Appl. No.: **3,960**

[22] Filed: **Jan. 22, 1993**

[57] CLAIM

[52] U.S. Cl. **D16/242; D9/423; D16/203**

The ornamental design for a surveillance video camera security box, as shown and described.

[58] **Field of Search** D9/423, 432; 348/373-376, 143; 354/64, 81, 82, 75, 76; 206/316.1, 316.2; D16/242, 243, 237; D99/28

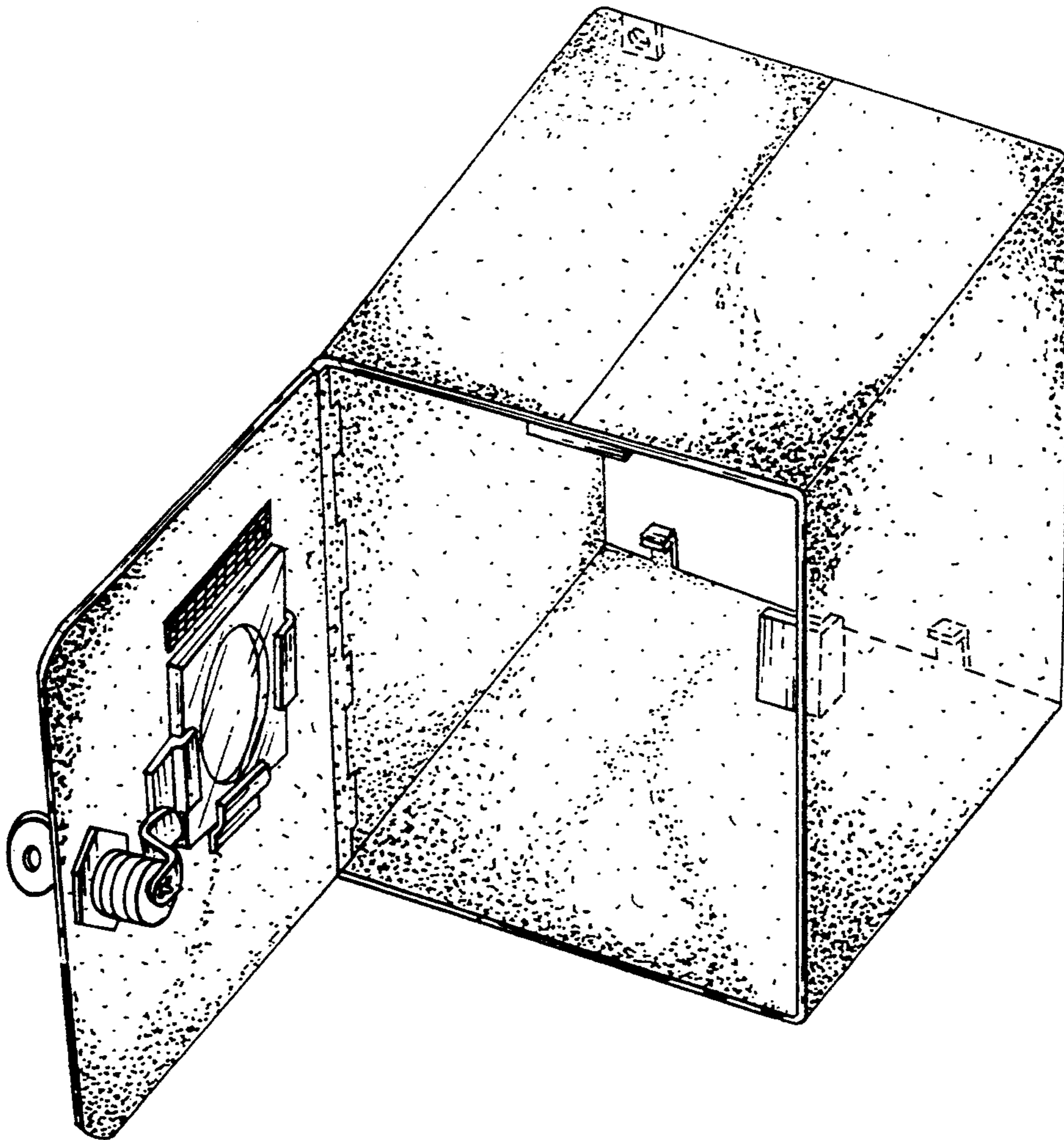
DESCRIPTION

[56] References Cited

U.S. PATENT DOCUMENTS

| | | | | |
|------------|---------|---------------|-------|-----------|
| D. 329,199 | 9/1992 | Corso | | D9/432 |
| 2,699,100 | 1/1955 | Simjian | | 354/75 |
| 2,804,902 | 9/1957 | Luther et al. | | 206/316.2 |
| 2,835,176 | 5/1958 | Land | | 354/76 |
| 2,909,107 | 10/1959 | Simjian | | 354/75 |

FIG. 1 is a front elevational view of a surveillance video camera security box showing my new design; FIG. 2 is a top plan view thereof; FIG. 3 is a right side elevational view; FIG. 4 is a left side elevational view; FIG. 5 is a rear plan view; FIG. 6 is a bottom plan view; and, FIG. 7 is a front perspective view thereof with the box door shown in open position.



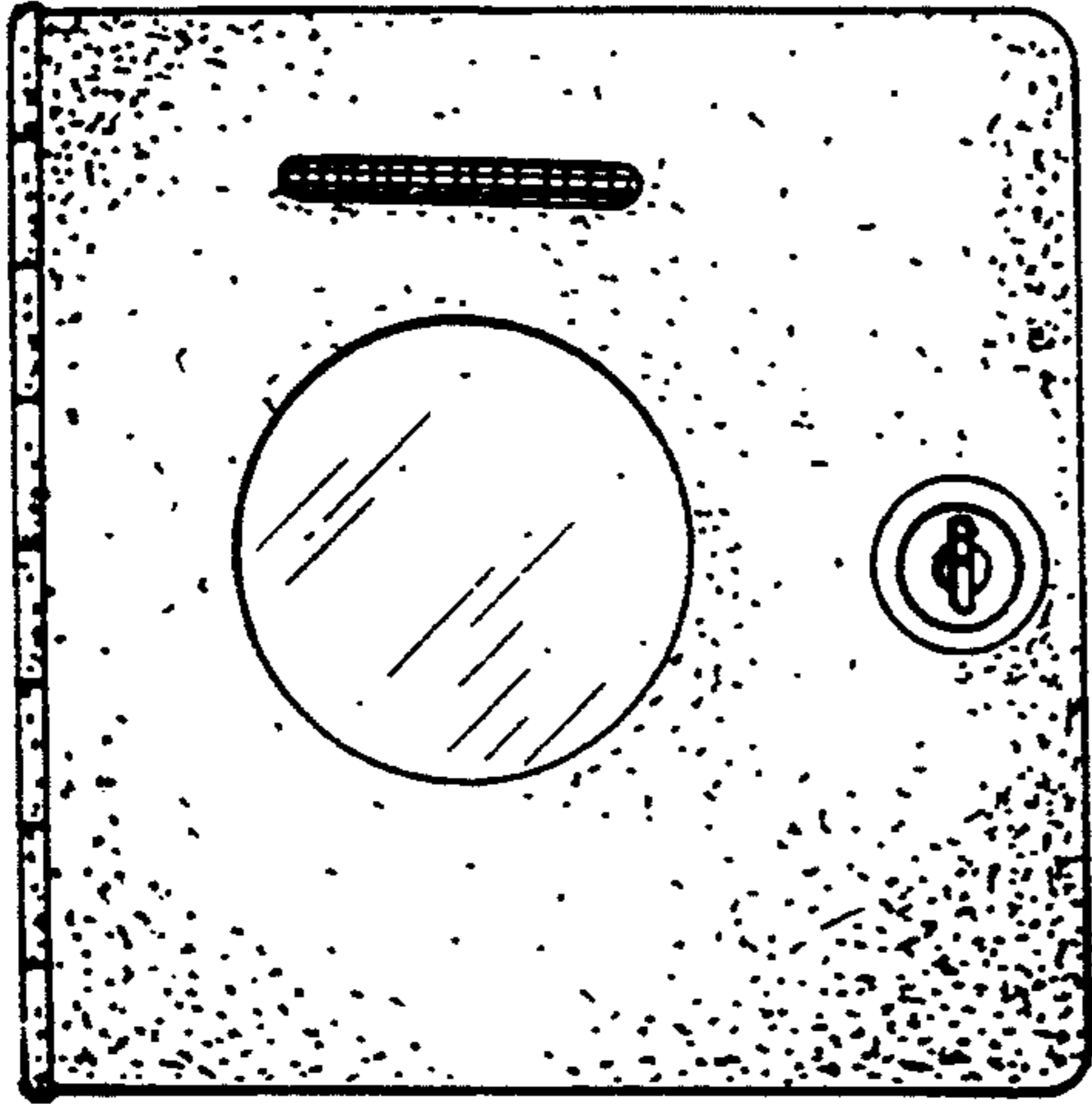


FIG. 1

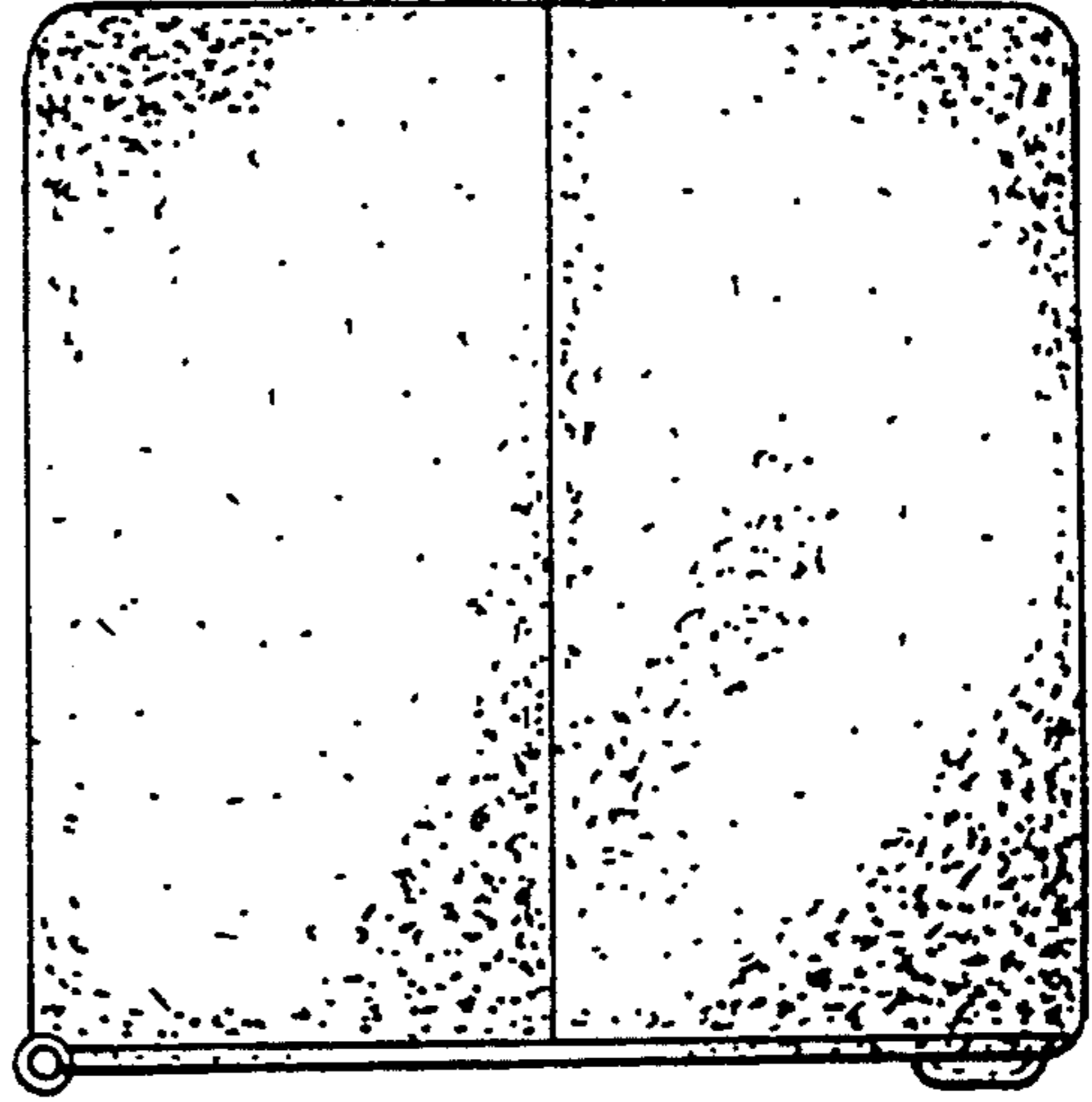


FIG. 2

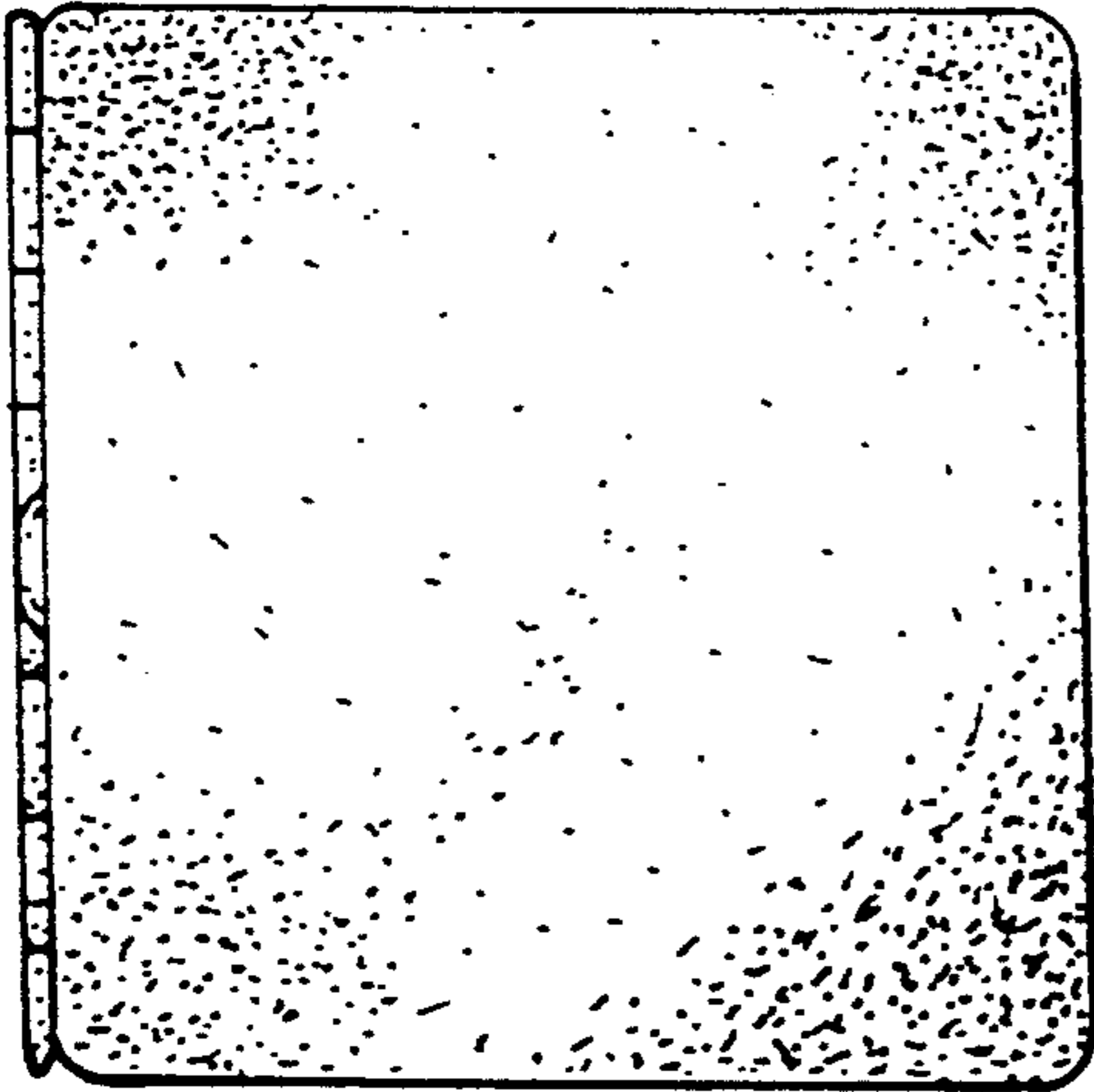


FIG. 3

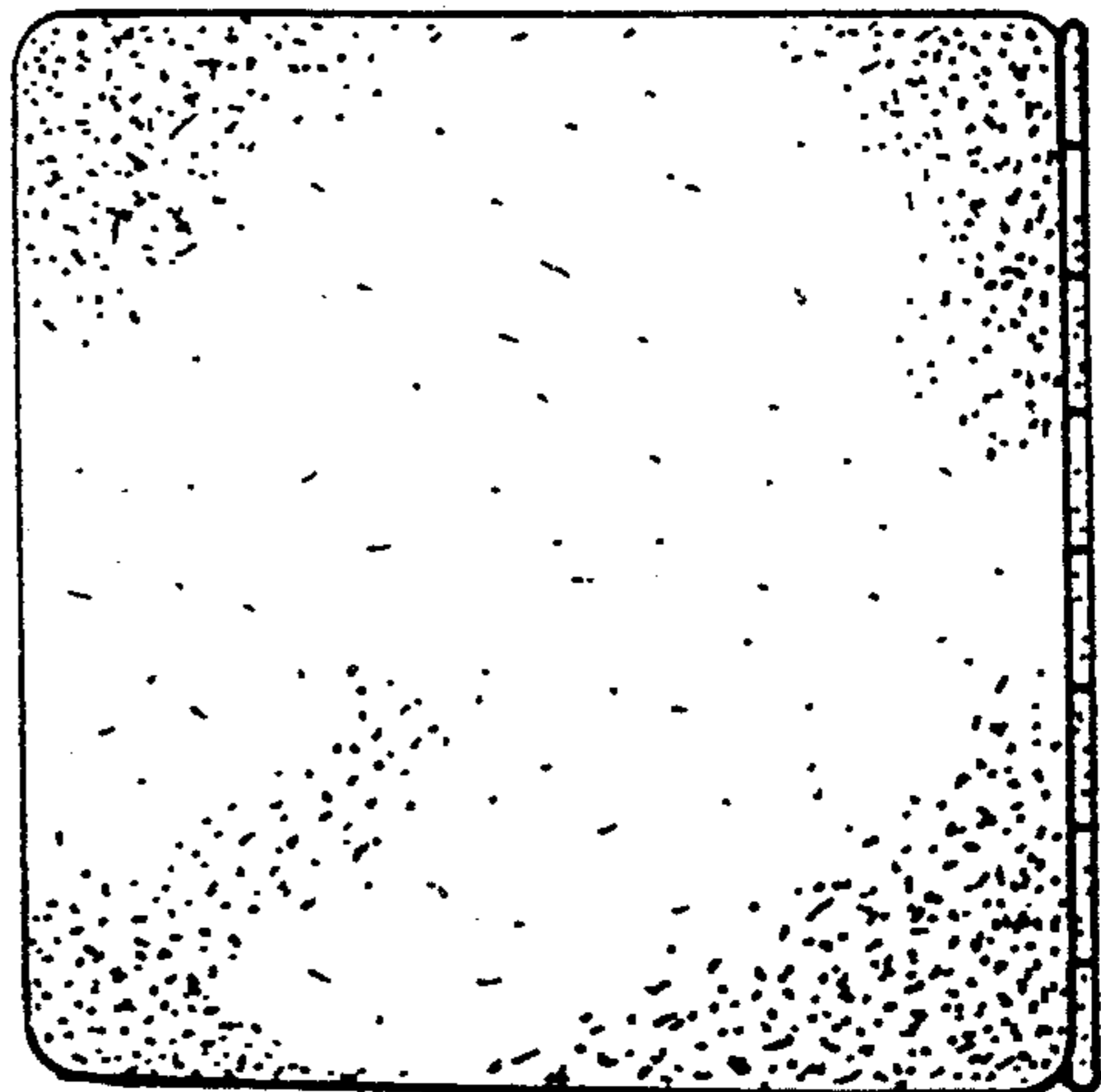


FIG. 4

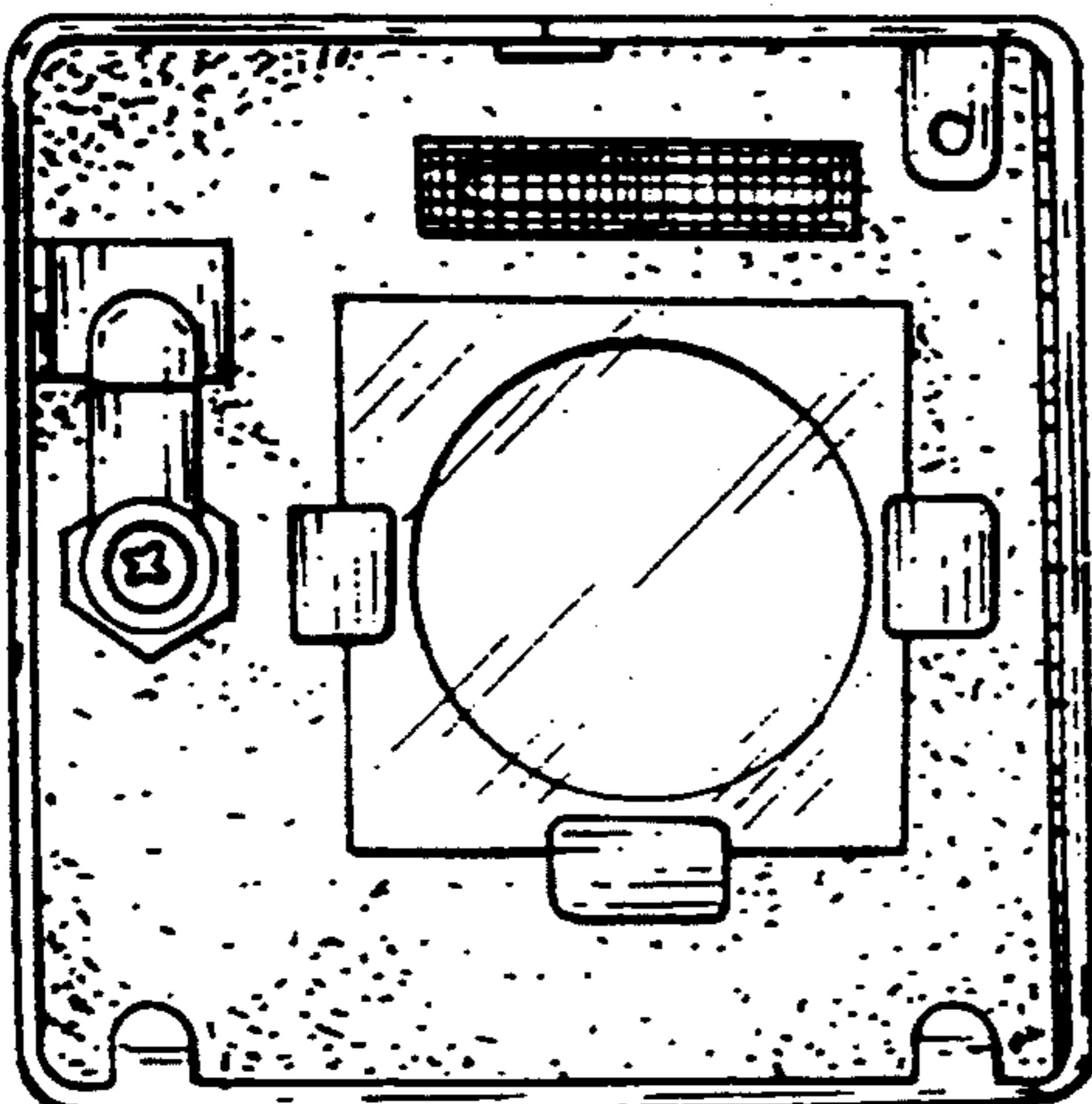


FIG. 5

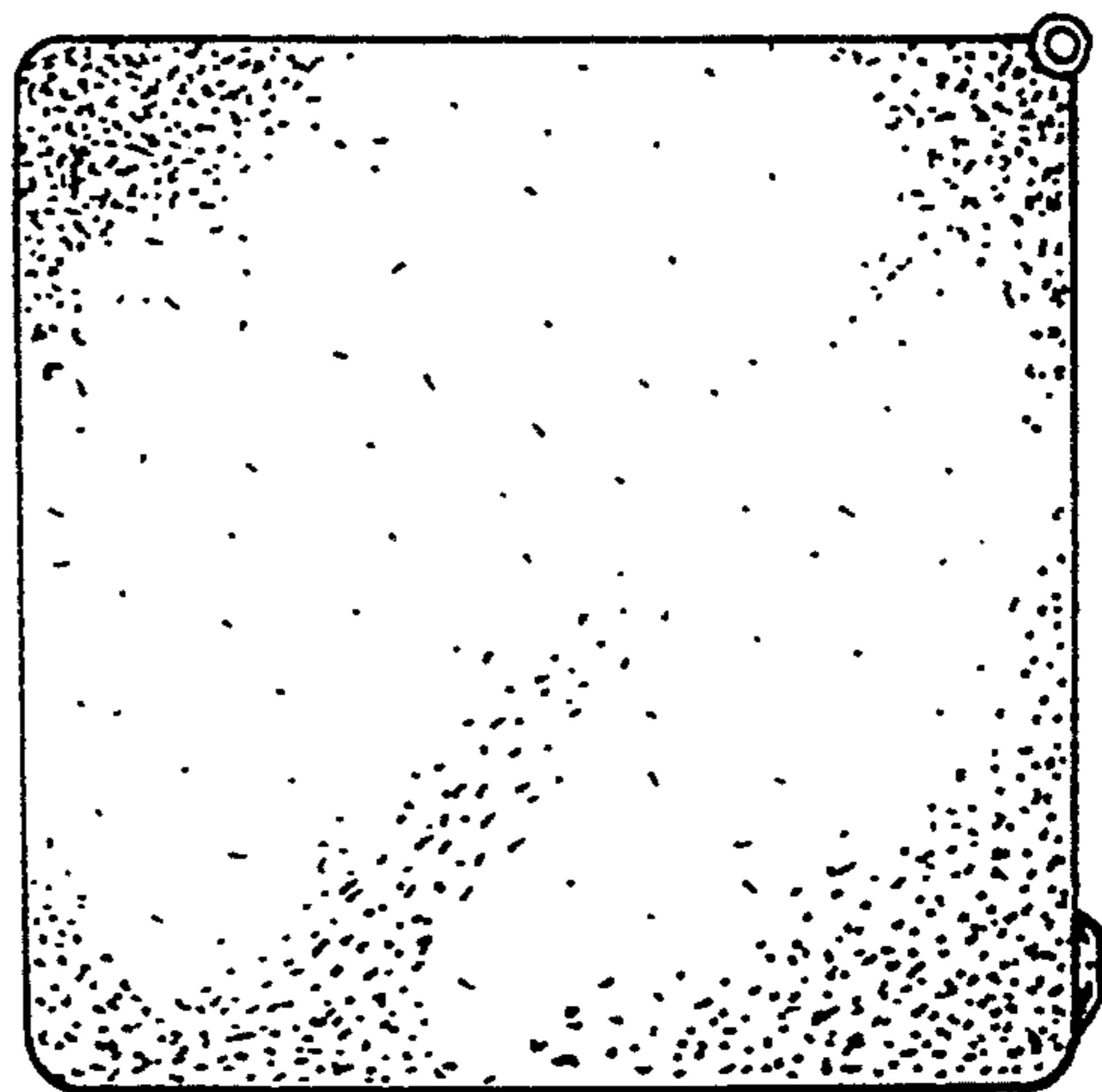


FIG. 6

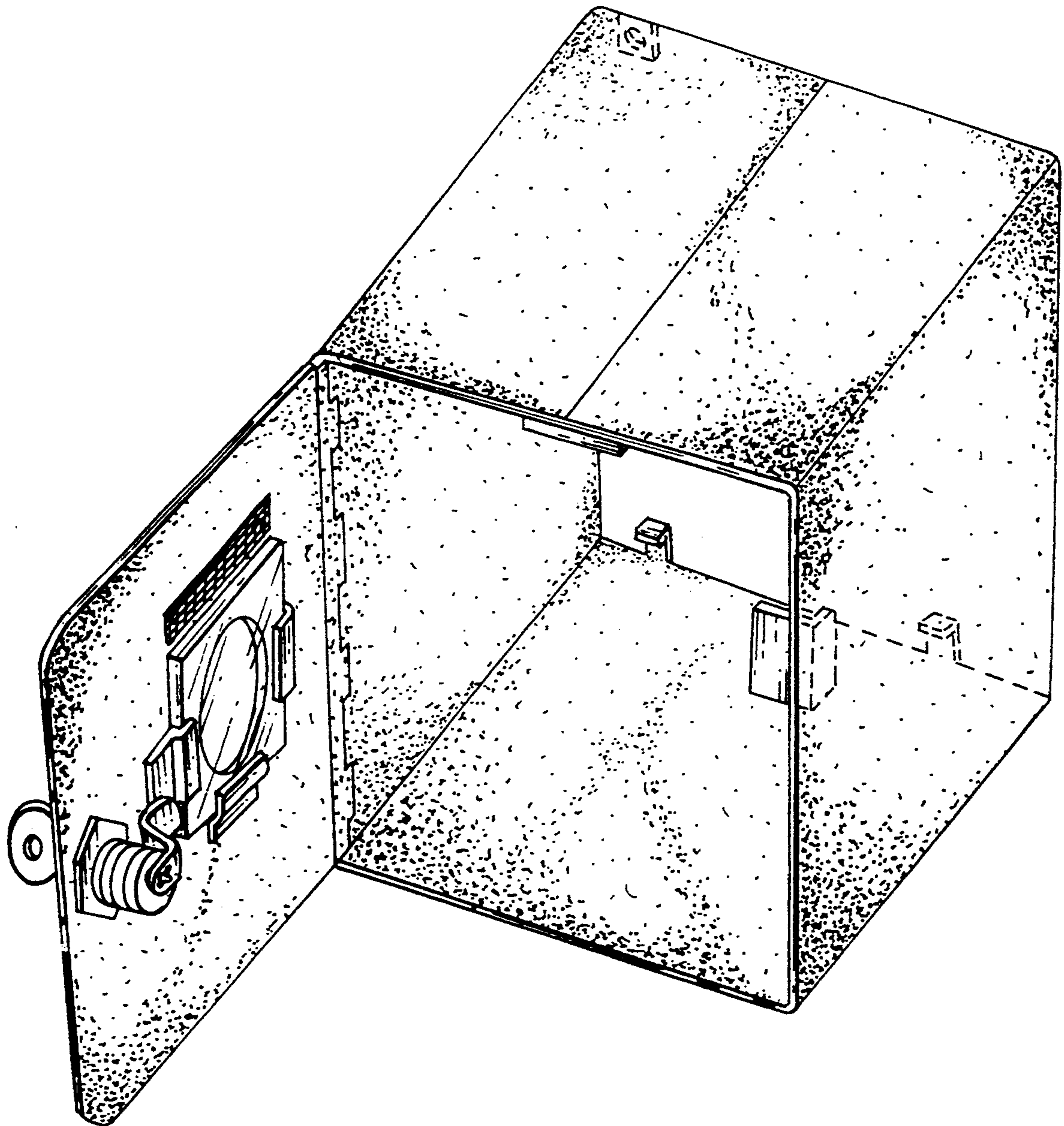


FIG. 7