



US00D349911S

United States Patent [19]

[11] Patent Number: **Des. 349,911**

Shimizu et al.

[45] Date of Patent: **** Aug. 23, 1994**

[54] SURVEILLANCE CAMERA

[75] Inventors: **Norio Shimizu; Shingo Iwasawa**, both of Tokyo, Japan

[73] Assignee: **Koyo Electronics Industries Co., Ltd.**, Tokyo, Japan

[**] Term: **14 Years**

[21] Appl. No.: **7,578**

[22] Filed: **Apr. 27, 1993**

[30] **Foreign Application Priority Data**

Apr. 5, 1993 [JP] Japan 5-9901

[52] U.S. Cl. **D16/203; 348/143**

[58] Field of Search 354/64, 65; 348/143, 348/373-376; D16/200-204, 221

[56] **References Cited**

U.S. PATENT DOCUMENTS

D. 216,839 3/1970 Rhoades D16/221

D. 248,305 6/1978 Scott D16/203
D. 307,759 5/1990 Pagano D16/203
5,287,133 2/1994 Bohley 354/64

Primary Examiner—Bernard Ansher
Assistant Examiner—Adir Aronovich
Attorney, Agent, or Firm—Sughrue, Mion, Zinn, Macpeak & Seas

[57] **CLAIM**

The ornamental design for a surveillance camera, as shown and described.

DESCRIPTION

FIG. 1 is a perspective view of a surveillance camera showing our new design, the camera being symmetrical about a longitudinal axis thereof; FIG. 2 is a front elevational view thereof; FIG. 3 is a rear elevational view thereof; FIG. 4 is a top plan view thereof; FIG. 5 is a bottom plan view thereof; and, FIG. 6 is a left side elevational view thereof.

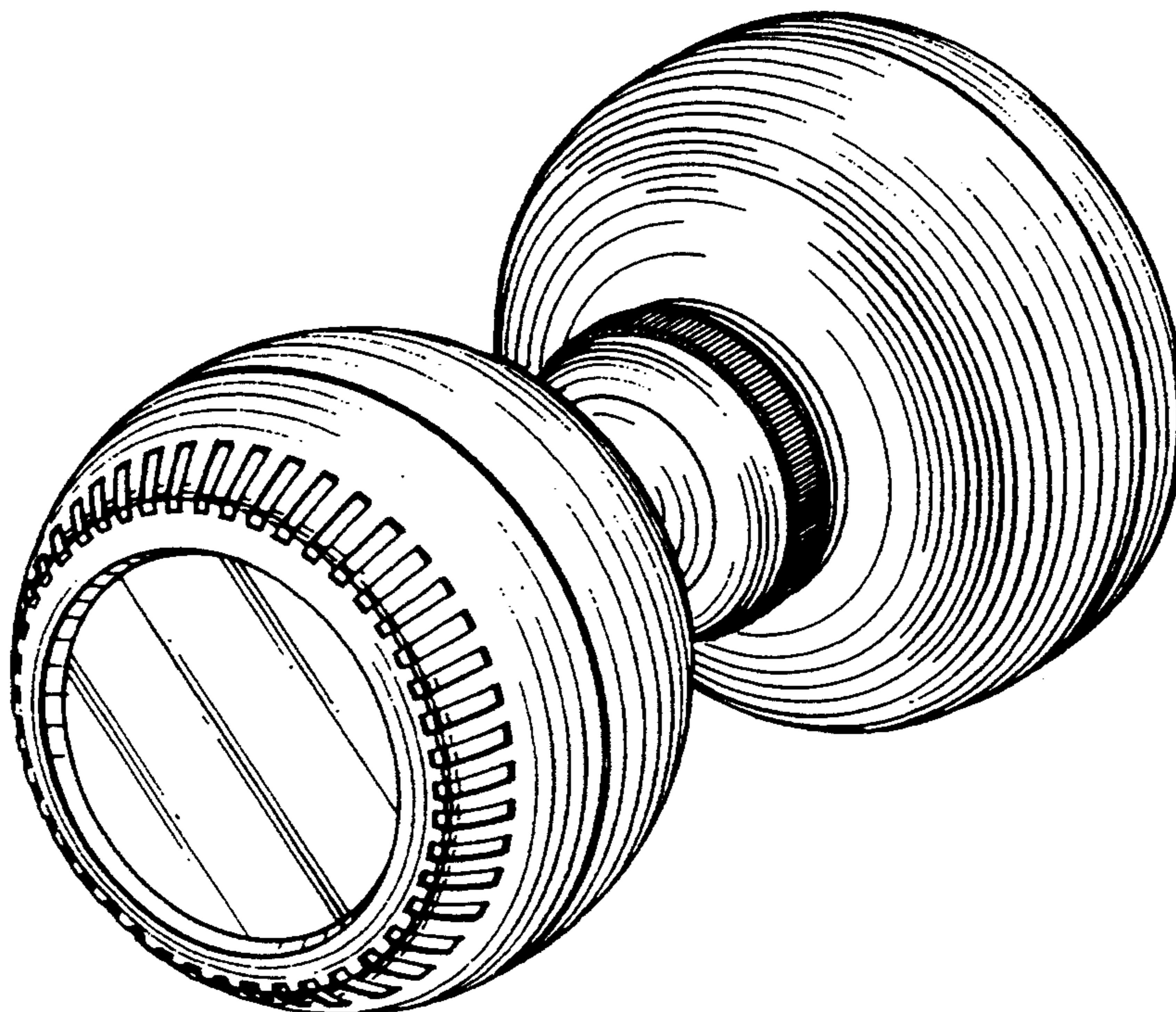


FIG. 1

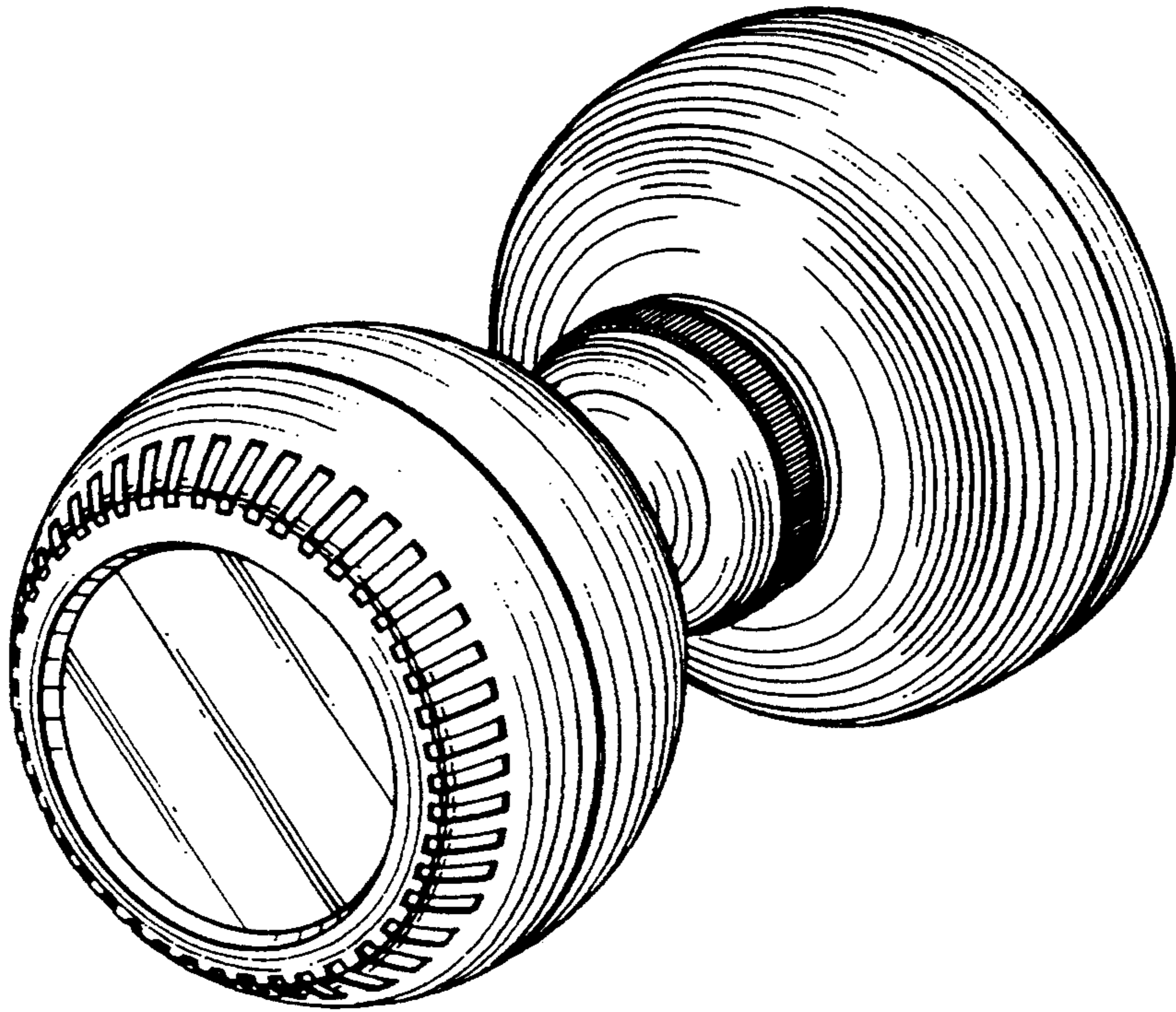


FIG. 2

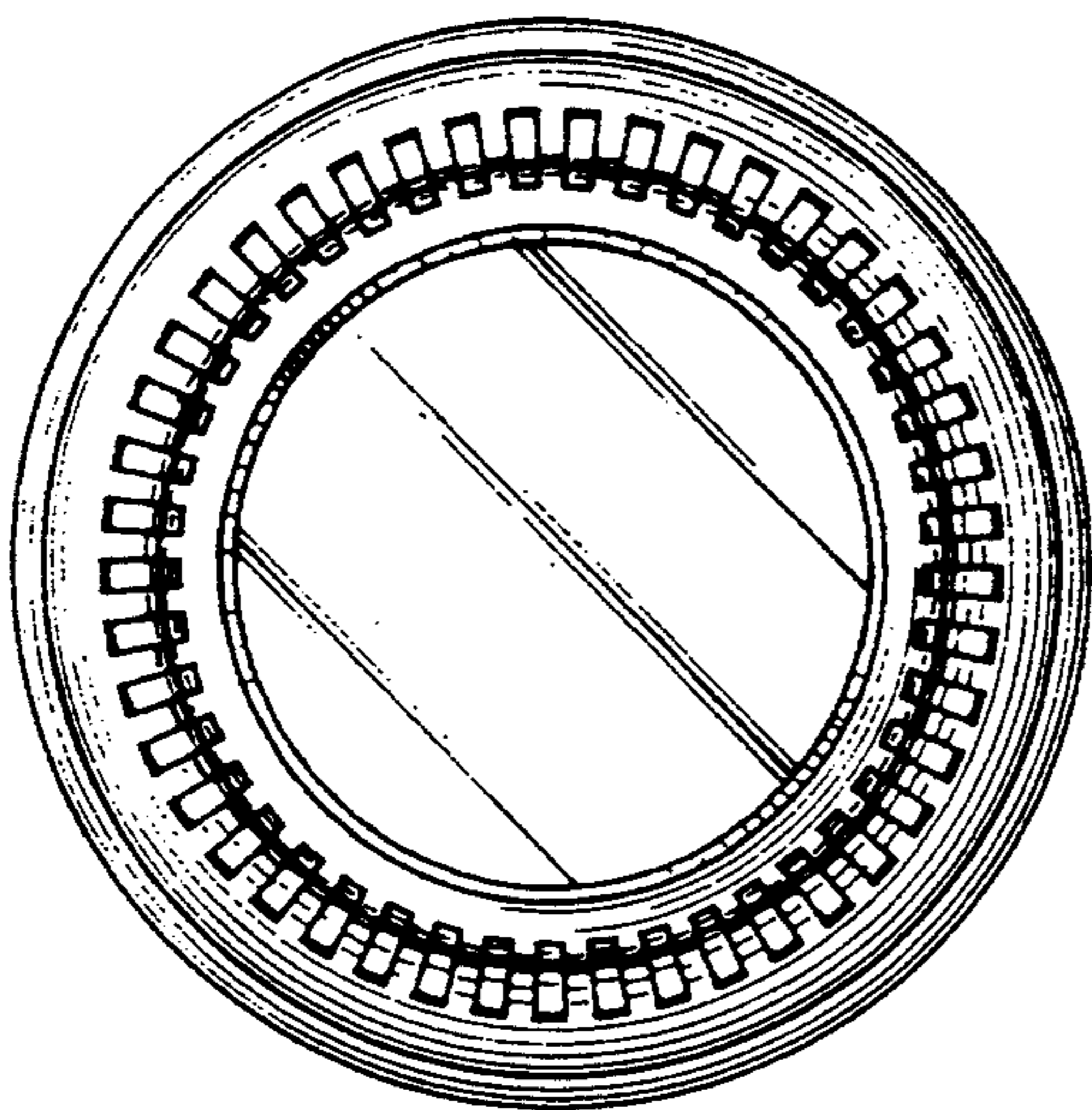


FIG. 3

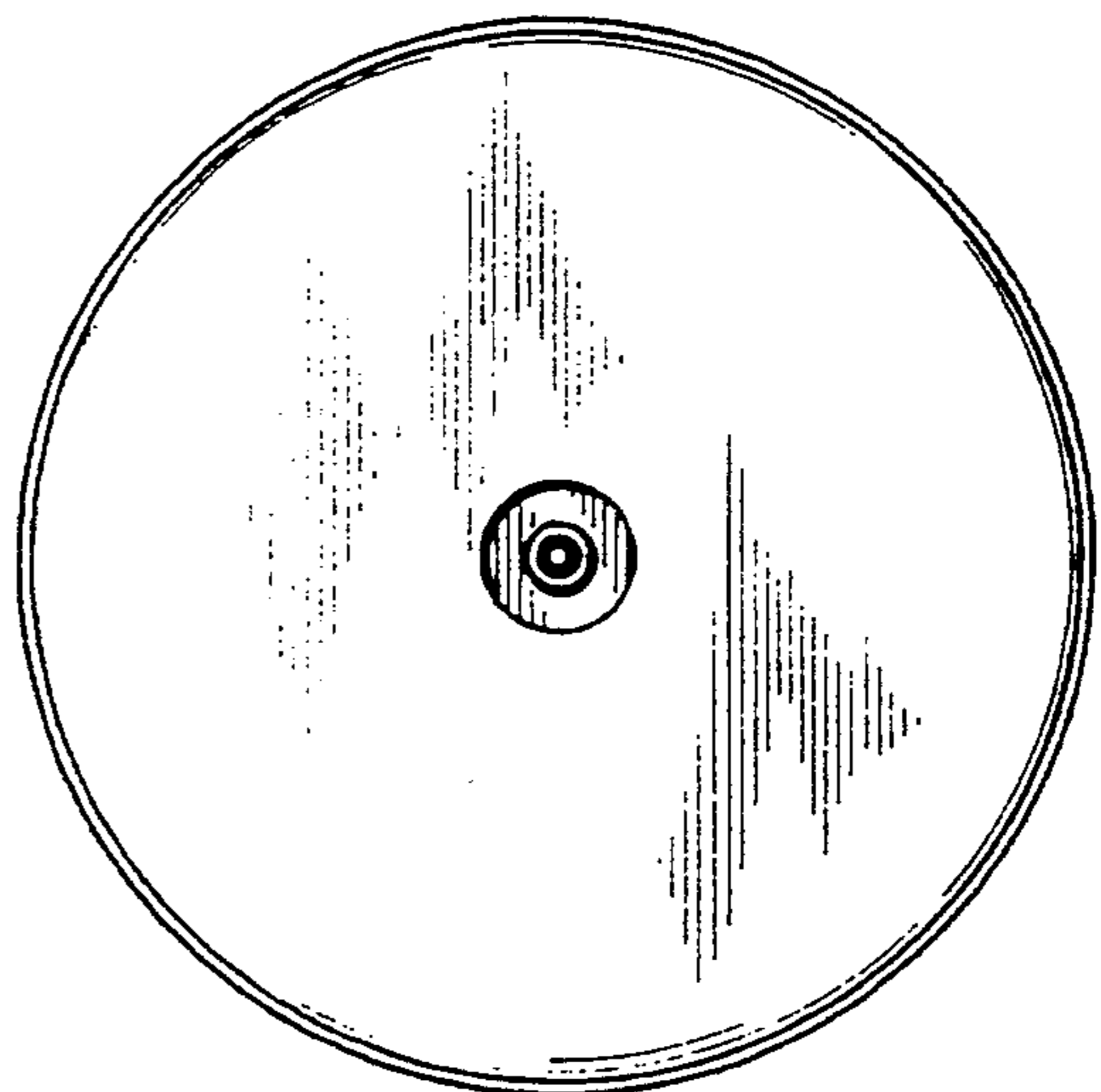


FIG. 4

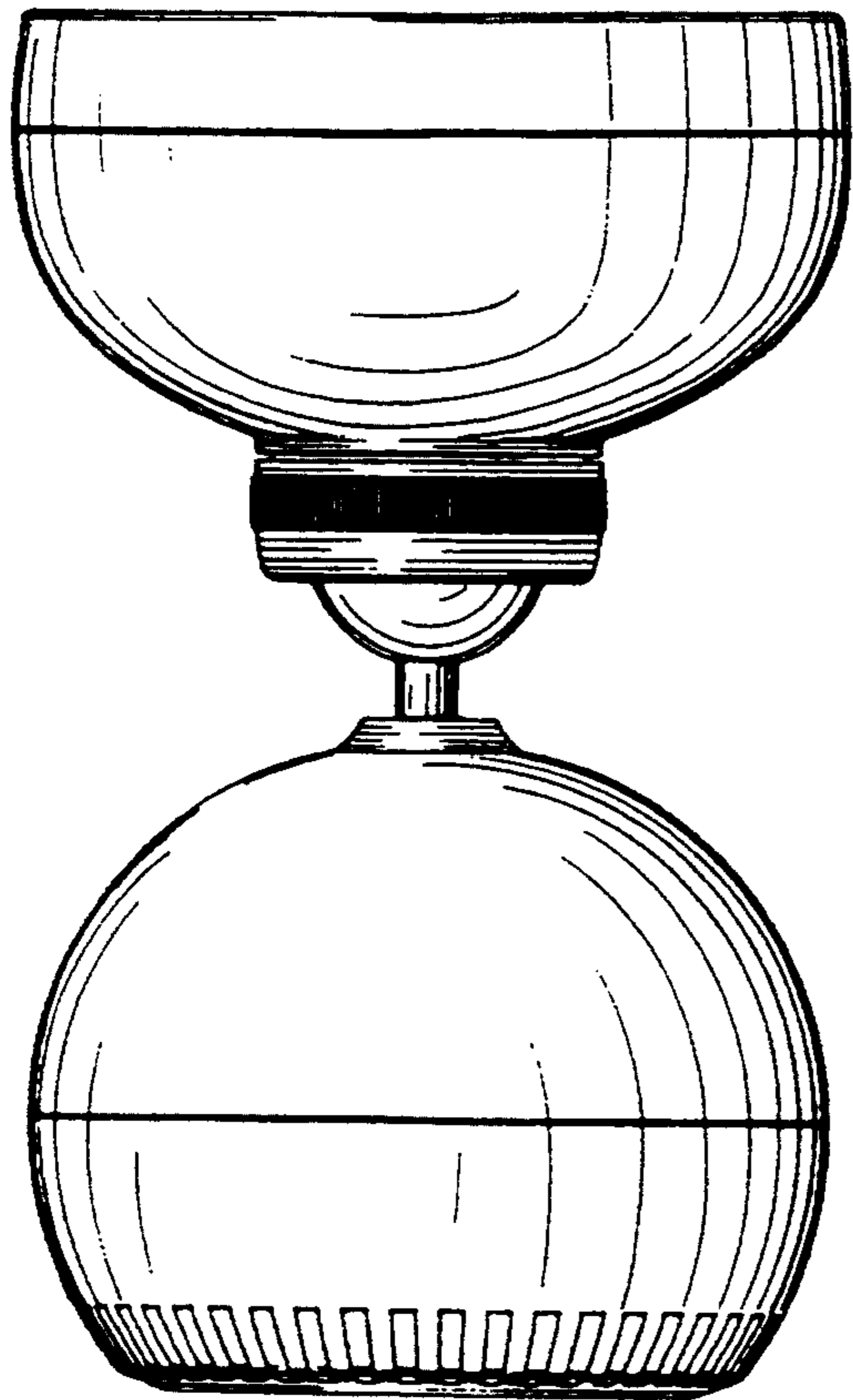


FIG. 5

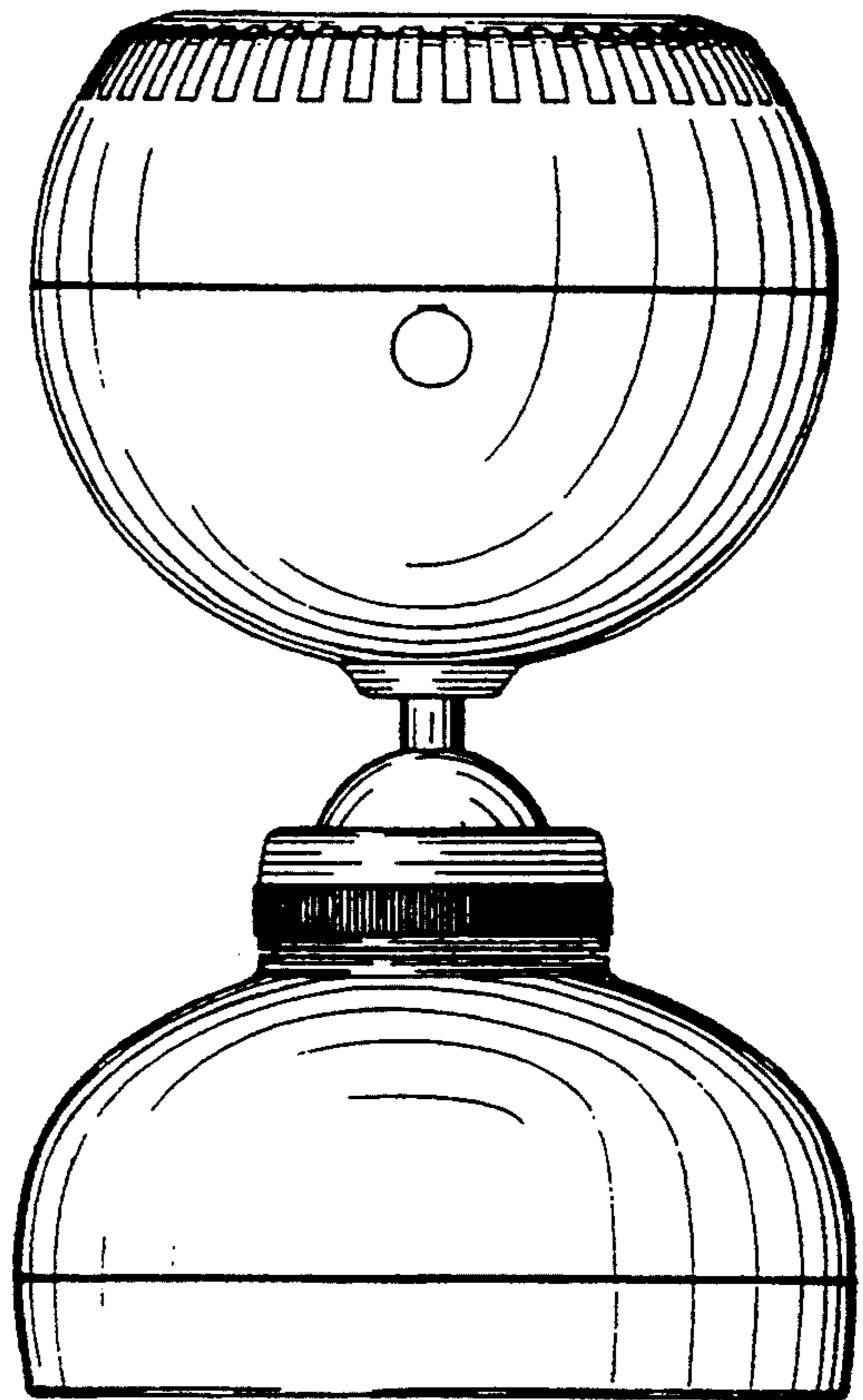


FIG. 6

