



US00D349906S

# United States Patent [19]

[11] Patent Number: **Des. 349,906**

Galbraith et al.

[45] Date of Patent: **\*\* Aug. 23, 1994**

[54] **VEHICLE DENT REMOVAL ELECTRODE HANDLE**

[56]

### References Cited

#### U.S. PATENT DOCUMENTS

2,799,190 7/1957 Awot ..... 72/705 X  
5,067,502 10/1991 Kuhlmann et al. .... 72/705 X

[75] Inventors: **Donald L. Galbraith; Richard P. Tice,**  
both of Spokane, Wash.

*Primary Examiner*—Alan P. Douglas  
*Assistant Examiner*—Antoine D. Davis  
*Attorney, Agent, or Firm*—Wells, St. John, Roberts,  
Gregory & Matkin

[73] Assignee: **U.S. Dent Master, Inc.,** Spokane,  
Wash.

[57]

### CLAIM

[\*\*] Term: **14 Years**

The ornamental design for a vehicle dent removal electrode handle, as shown and described.

### DESCRIPTION

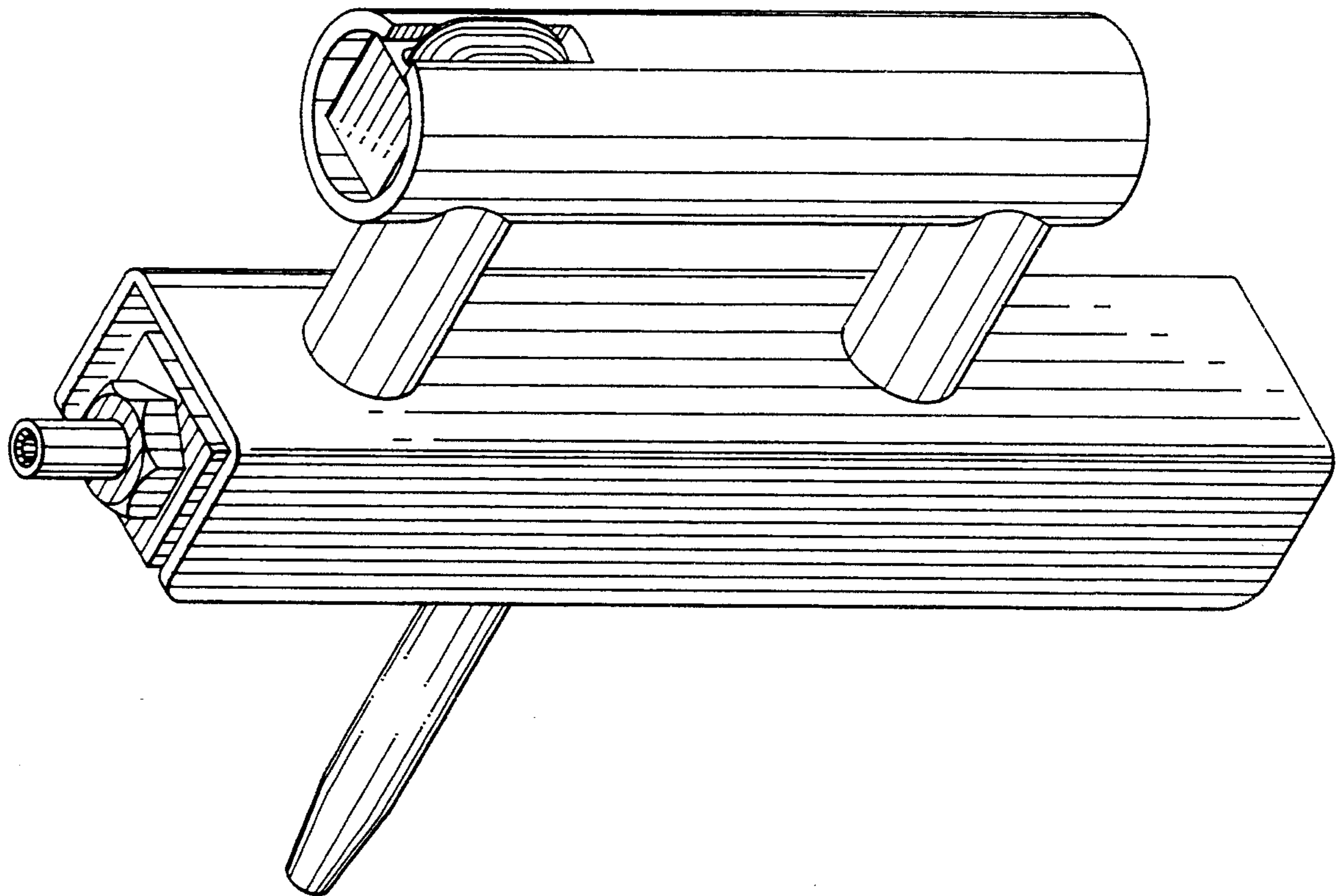
[21] Appl. No.: **8,614**

FIG. 1 is a side elevation view of a vehicle dent removal electrode handle showing our new design;  
FIG. 2 is an opposite side perspective view thereof;  
FIG. 3 is a front end elevation view thereof;  
FIG. 4 is a rear end elevation view thereof;  
FIG. 5 is a bottom plan view thereof; and,  
FIG. 6 is a top plan view thereof.

[22] Filed: **May 20, 1993**

[52] U.S. Cl. .... **D15/142**

[58] Field of Search ..... D8/315, 316; 72/705,  
72/392; 219/86.21, 86.22; D13/154; D15/142



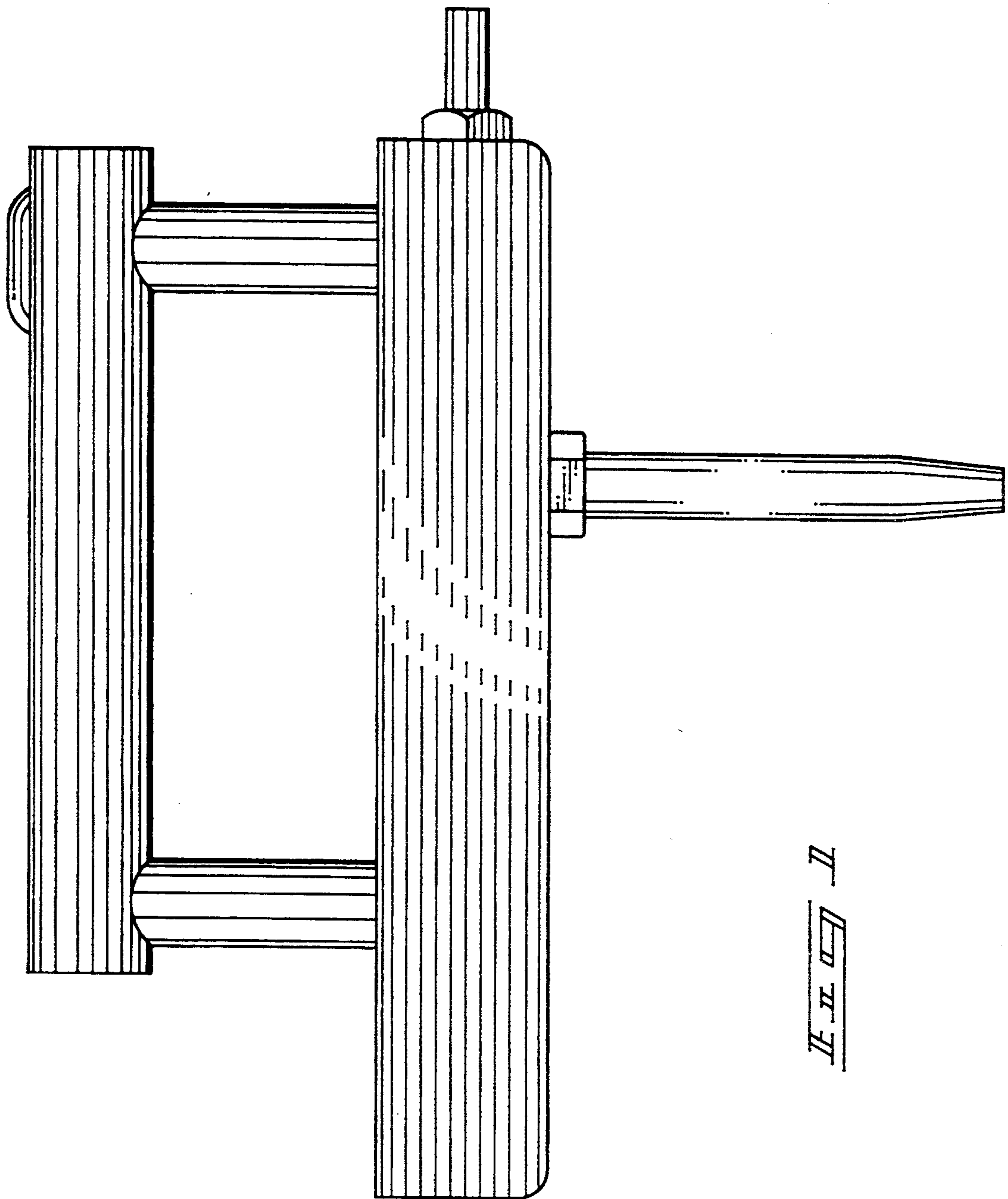
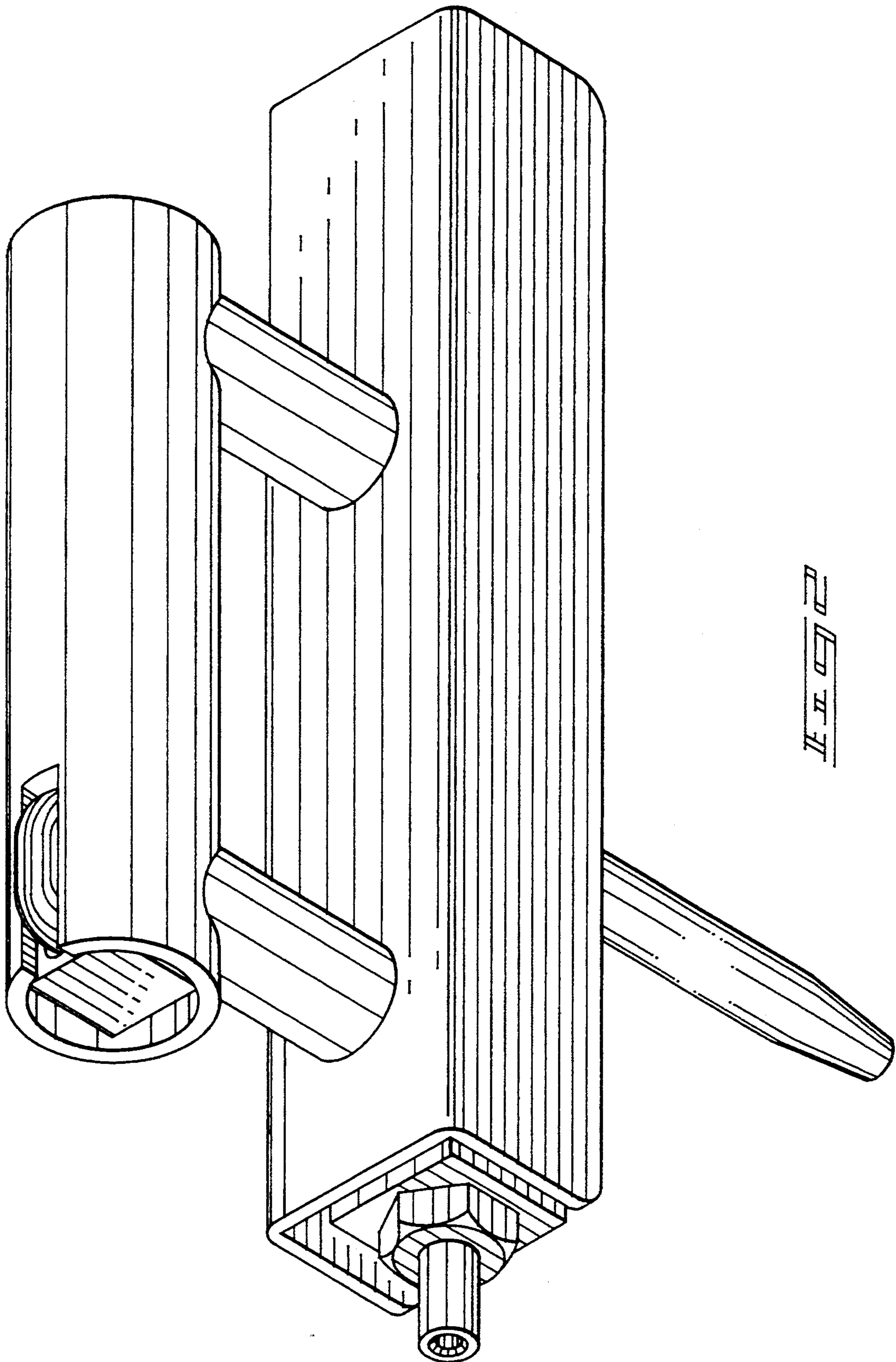


FIG. 1



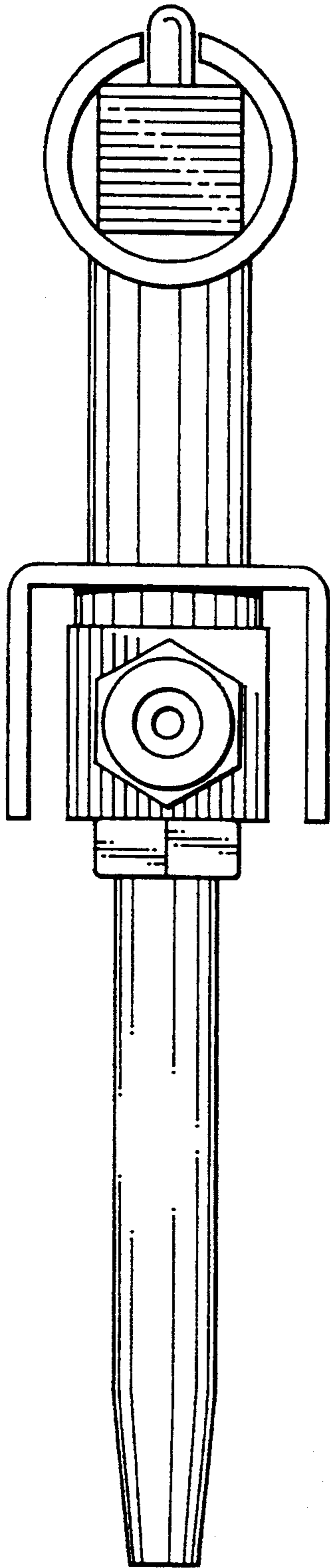


Fig. 3

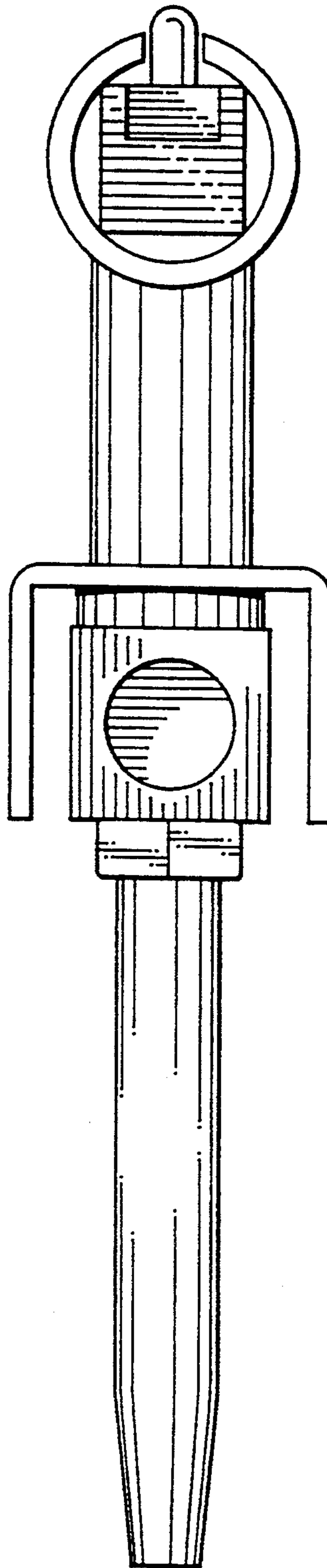
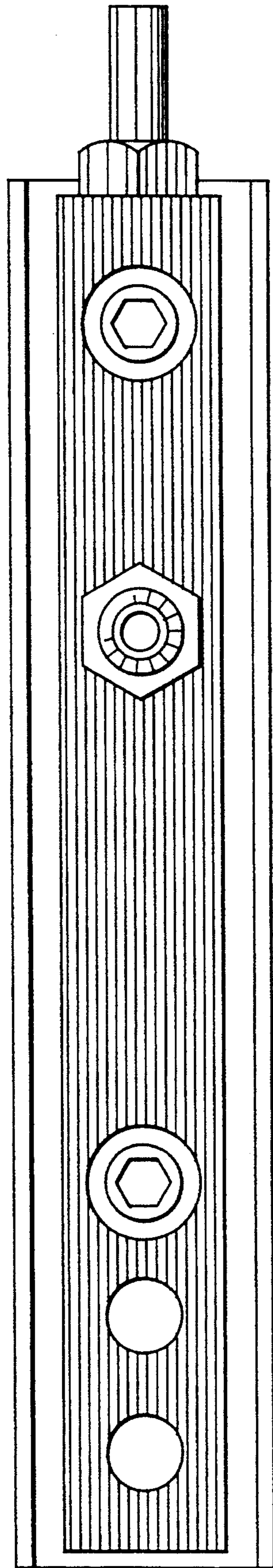


Fig. 4



*J. H. S.*

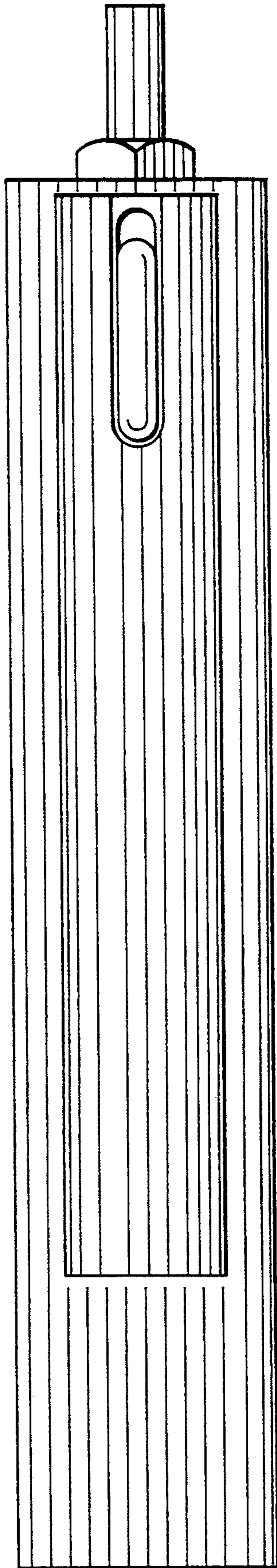


FIG. 5