



US00D349905S

United States Patent [19]

[11] Patent Number: **Des. 349,905**

Connolly et al.

[45] Date of Patent: **** Aug. 23, 1994**

[54] **COMBINED LAWN AND GARDEN CHIPPER SHREDDER VACUUM APPARATUS WITH HOSE ATTACHMENT**

| | | | |
|-----------|---------|--------|---------|
| 3,940,827 | 3/1976 | Greco | 56/13.4 |
| 4,245,456 | 1/1981 | Zipfel | 56/12.8 |
| 5,060,460 | 10/1991 | Dunn | 56/12.8 |

[75] Inventors: **Kevin J. Connolly**, Ballston Lake, N.Y.; **George W. Bingley**, Kankakee, Ill.; **Karl K. Holt**, Hartland, Wis.

Primary Examiner—Bernard Ansher
Attorney, Agent, or Firm—Hayes & Reinsmith

[73] Assignee: **Garden Way Incorporated**, Troy, N.Y.

[57] CLAIM

[**] Term: **14 Years**

The ornamental design for combined lawn and garden chipper shredder vacuum apparatus with hose attachment, as shown and described.

[21] Appl. No.: **795,639**

DESCRIPTION

[22] Filed: **Nov. 21, 1991**

[52] U.S. Cl. **D15/10**

[58] **Field of Search** 56/13.3, 13.4, 15.8, 56/16, 16.7, 17.1, 202, 255, 320.1, 320.2; 241/56, 73, 101.7, 186 R, 282.1; 239/289, 681-689; D15/10, 14-17

FIG. 1 is a perspective view of our design for a combined lawn and garden chipper shredder vacuum apparatus with hose attachment attached and collection bag shown in dotted lines;

FIG. 2 is a left side elevational view thereof, with the hose attachment shown broken away for ease of illustration;

FIG. 3 is a right side elevational view of our design of FIG. 1;

FIG. 4 is a top plan view of our design of FIG. 1;

FIG. 5 is a bottom plan view of our design of FIG. 1;

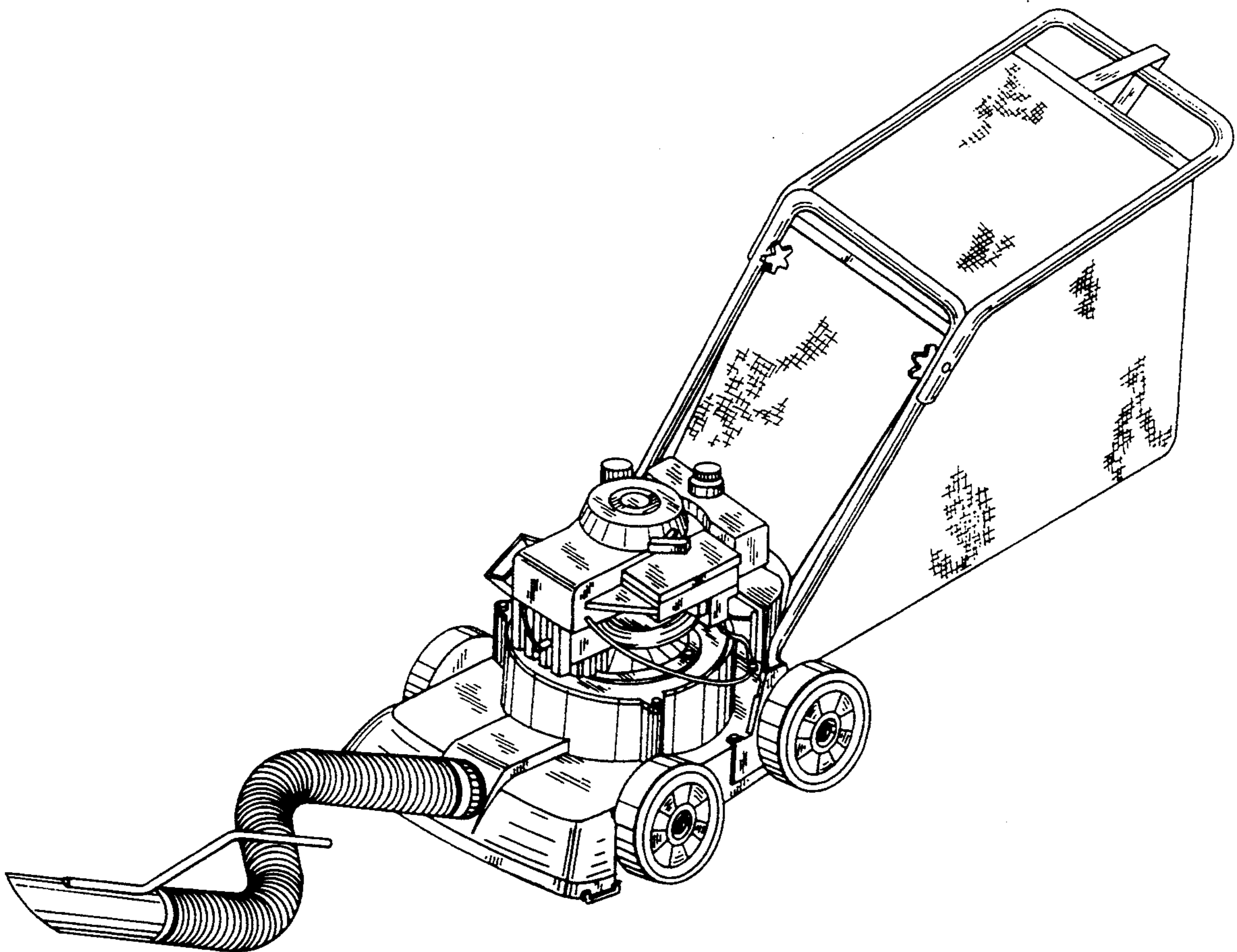
FIG. 6 is a front elevational view of our design of FIG. 1; and,

FIG. 7 is a rear elevational view of our design of FIG. 1.

[56] References Cited

U.S. PATENT DOCUMENTS

| | | | |
|------------|---------|----------------|---------|
| D. 198,433 | 6/1964 | Sherrill | D15/10 |
| D. 309,310 | 7/1990 | Fushiya et al. | D15/14 |
| D. 330,210 | 10/1992 | Sirois et al. | D15/14 |
| 3,857,515 | 12/1974 | Zennie | 239/289 |
| 3,905,181 | 9/1975 | Messner | 56/13.4 |



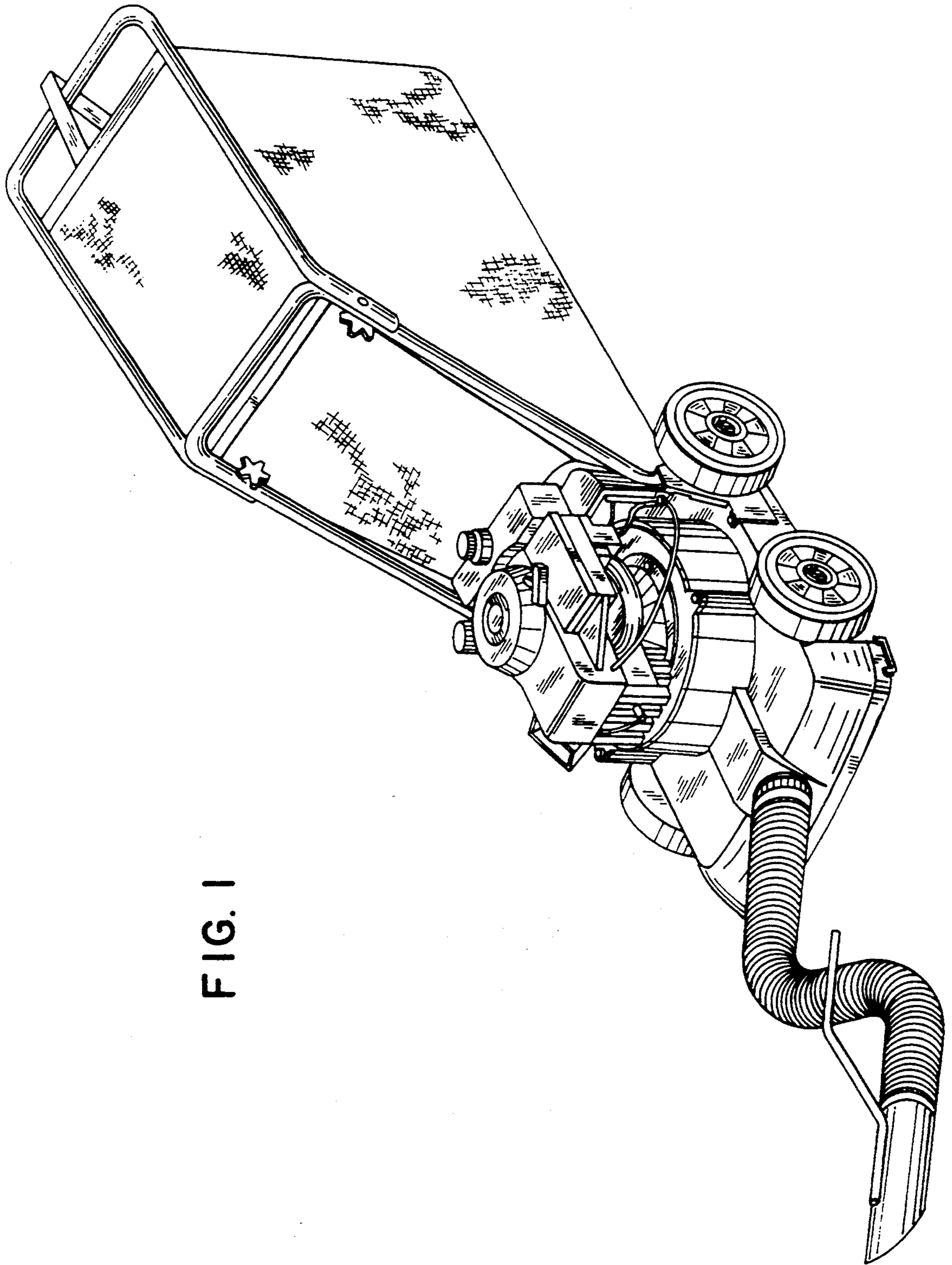
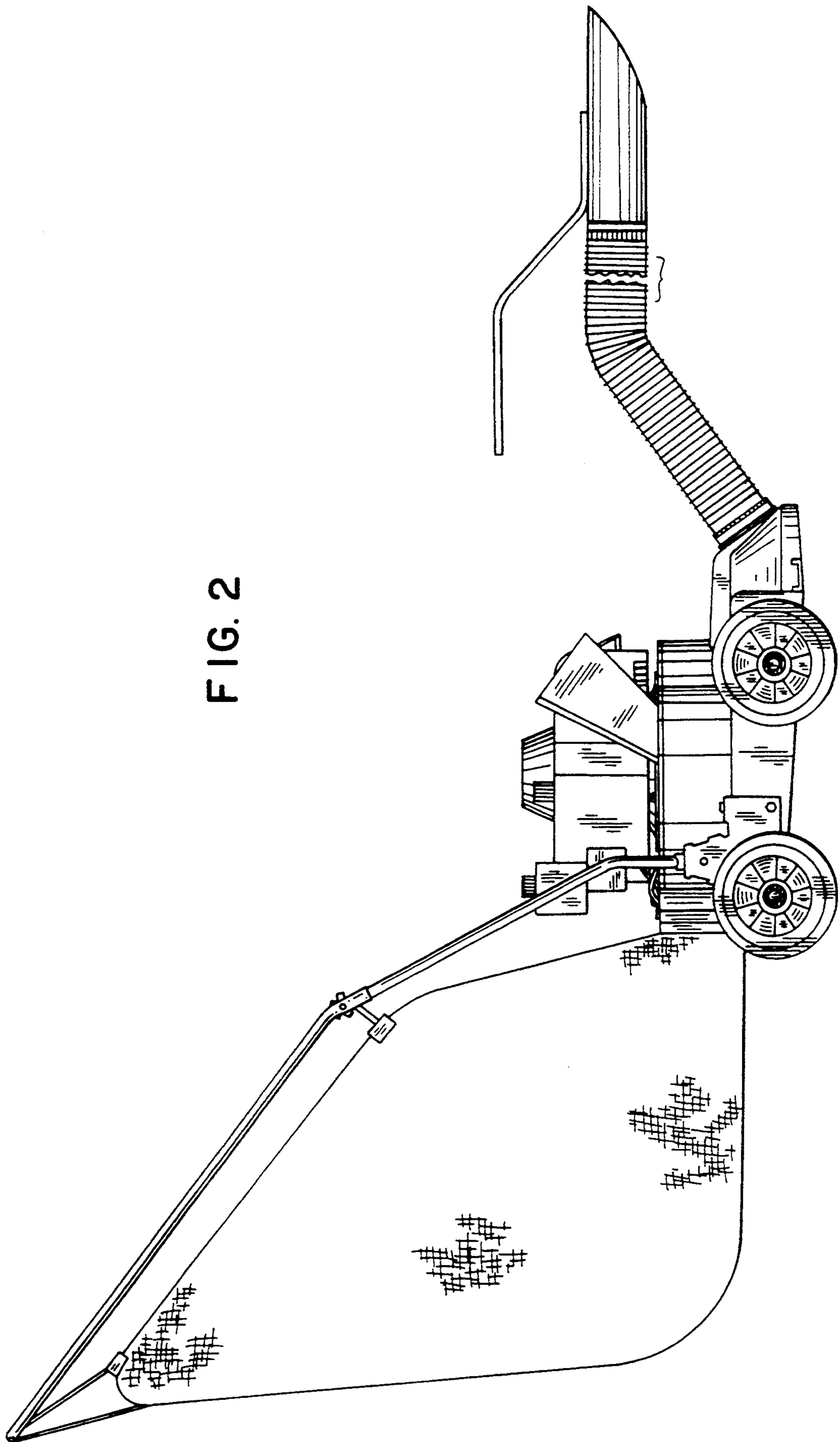


FIG. 1

FIG. 2



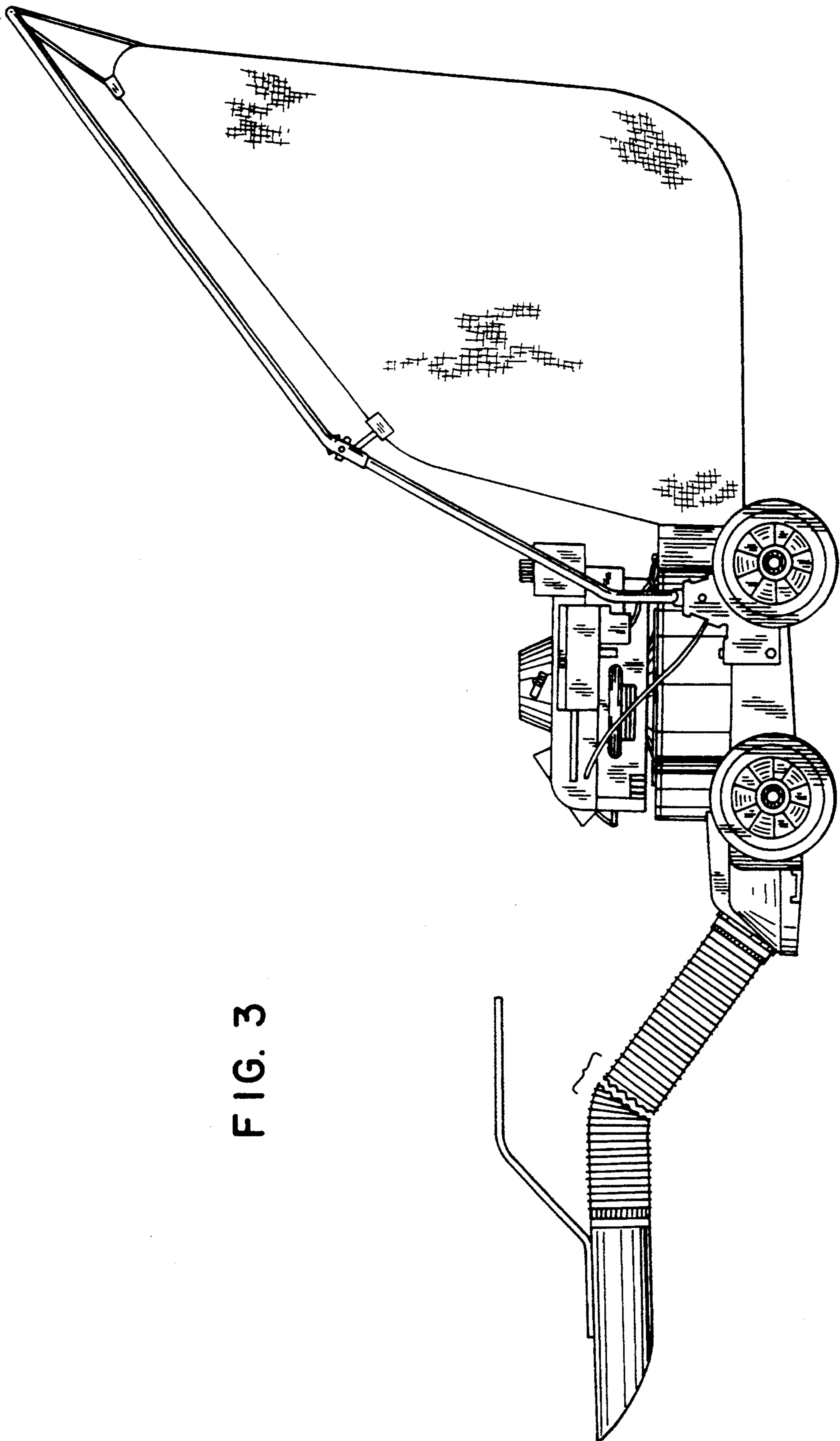


FIG. 3

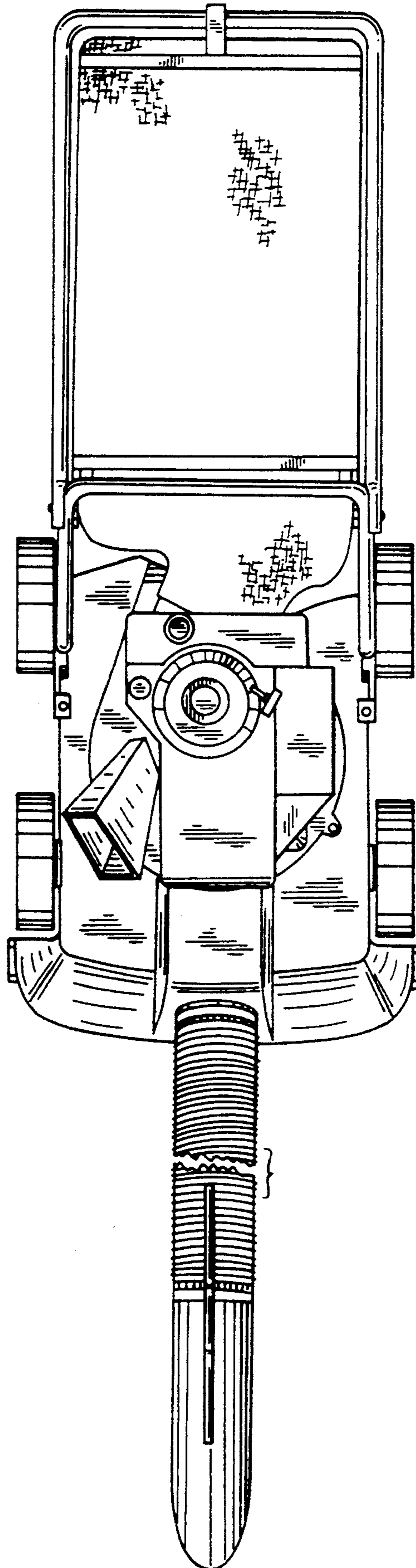


FIG. 4

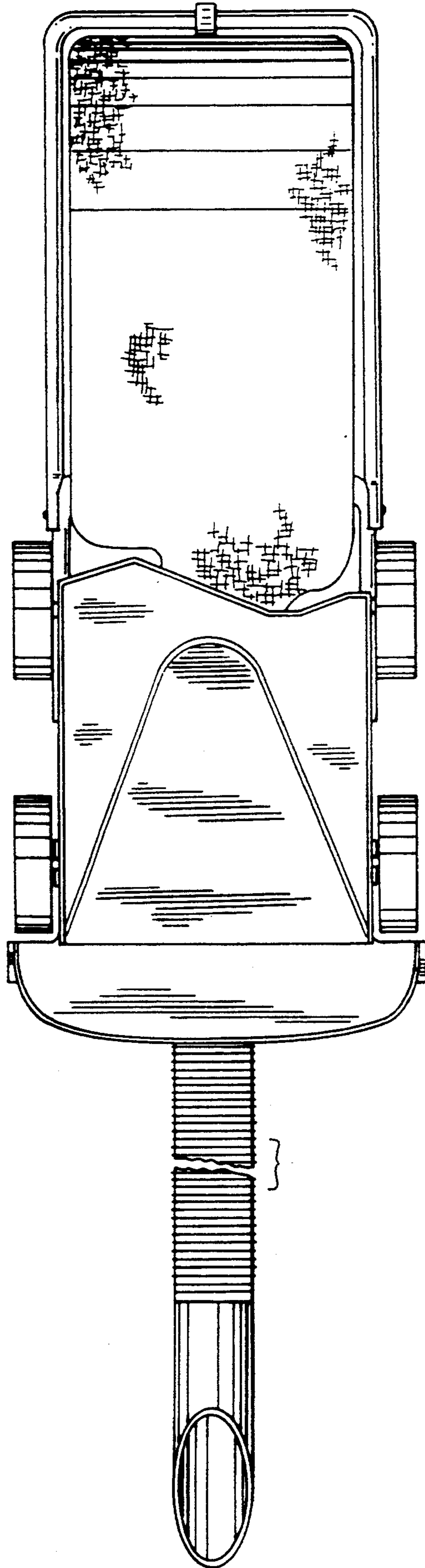


FIG. 5

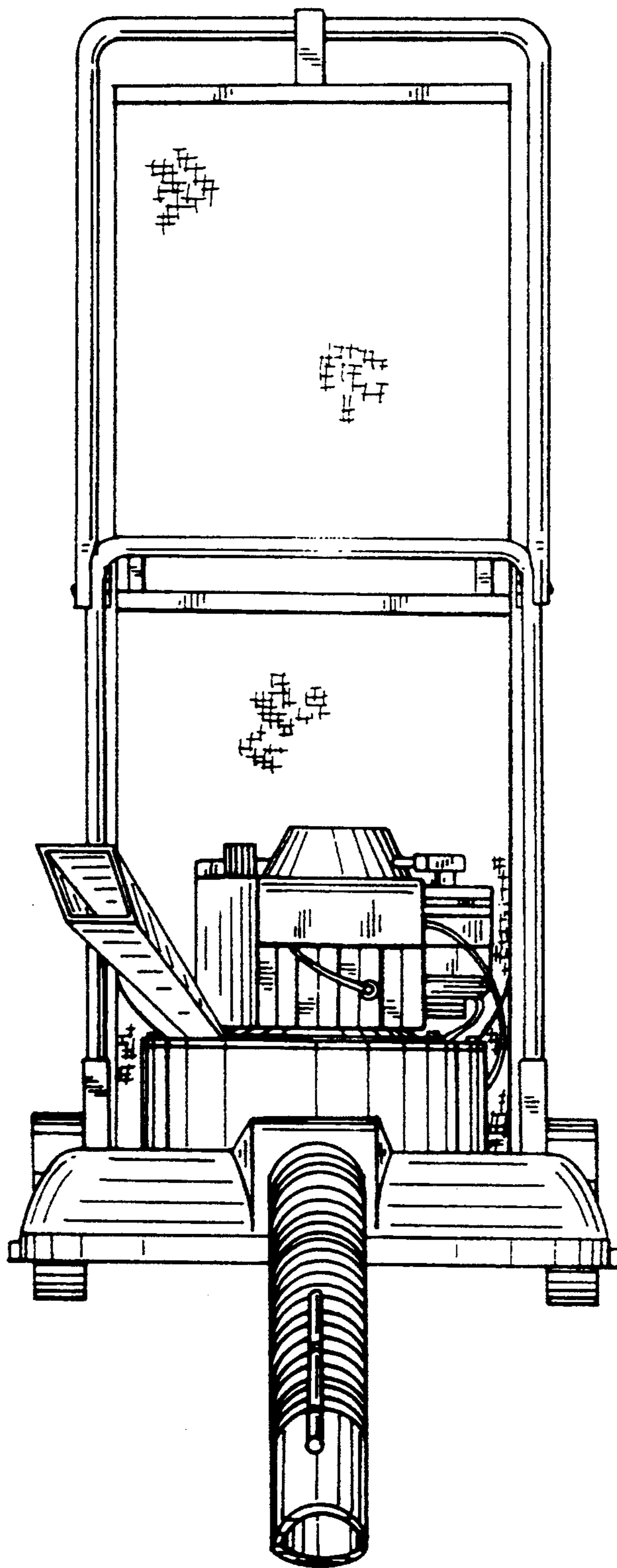


FIG. 6

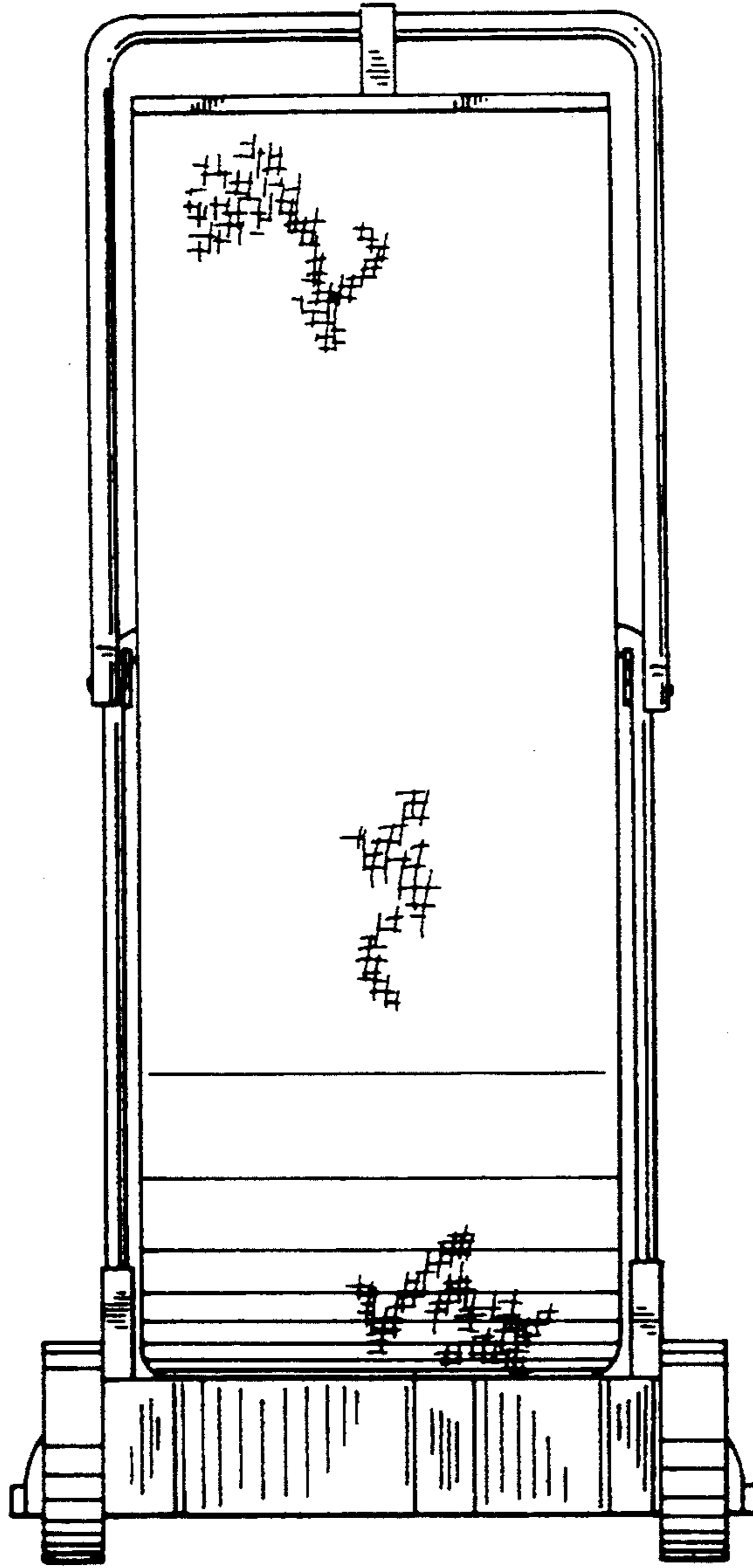


FIG. 7