



US00D349893S

United States Patent [19]

[11] Patent Number: **Des. 349,893**

Bennett

[45] Date of Patent: **** Aug. 23, 1994**

[54] PROTECTION COVER FOR A COMPUTER

D. 343,748	2/1994	Bittner	D6/510
2,958,357	11/1960	Vorgan	150/165 X
5,080,155	1/1992	Crozier	150/154
5,226,521	7/1993	Oden	155/154 X

[76] Inventor: **Rodney K. Bennett, R.D. #1 English Hill Rd., Dalton, N.Y. 14836**

[**] Term: **14 Years**

Primary Examiner—Wallace R. Burke
Assistant Examiner—M. H. Tung
Attorney, Agent, or Firm—Terry M. Gernstein

[21] Appl. No.: **2,578**

[22] Filed: **Dec. 21, 1992**

[52] U.S. Cl. **D14/114**

[58] Field of Search 181/200-201;
150/154, 157, 164-166; 235/145 R; D6/510;
D14/114; D19/91, 92

[57] CLAIM

The ornamental design for a protective cover for a computer, as shown and described.

DESCRIPTION

FIG. 1 is a top, side and end perspective view of the protective cover for a computer showing my new design;

FIG. 2 is a side elevational view thereof, the side opposite being a mirror image of the side shown in FIG. 2;

FIG. 3 is an end elevational view thereof;

FIG. 4 is an opposite end elevational view thereof;

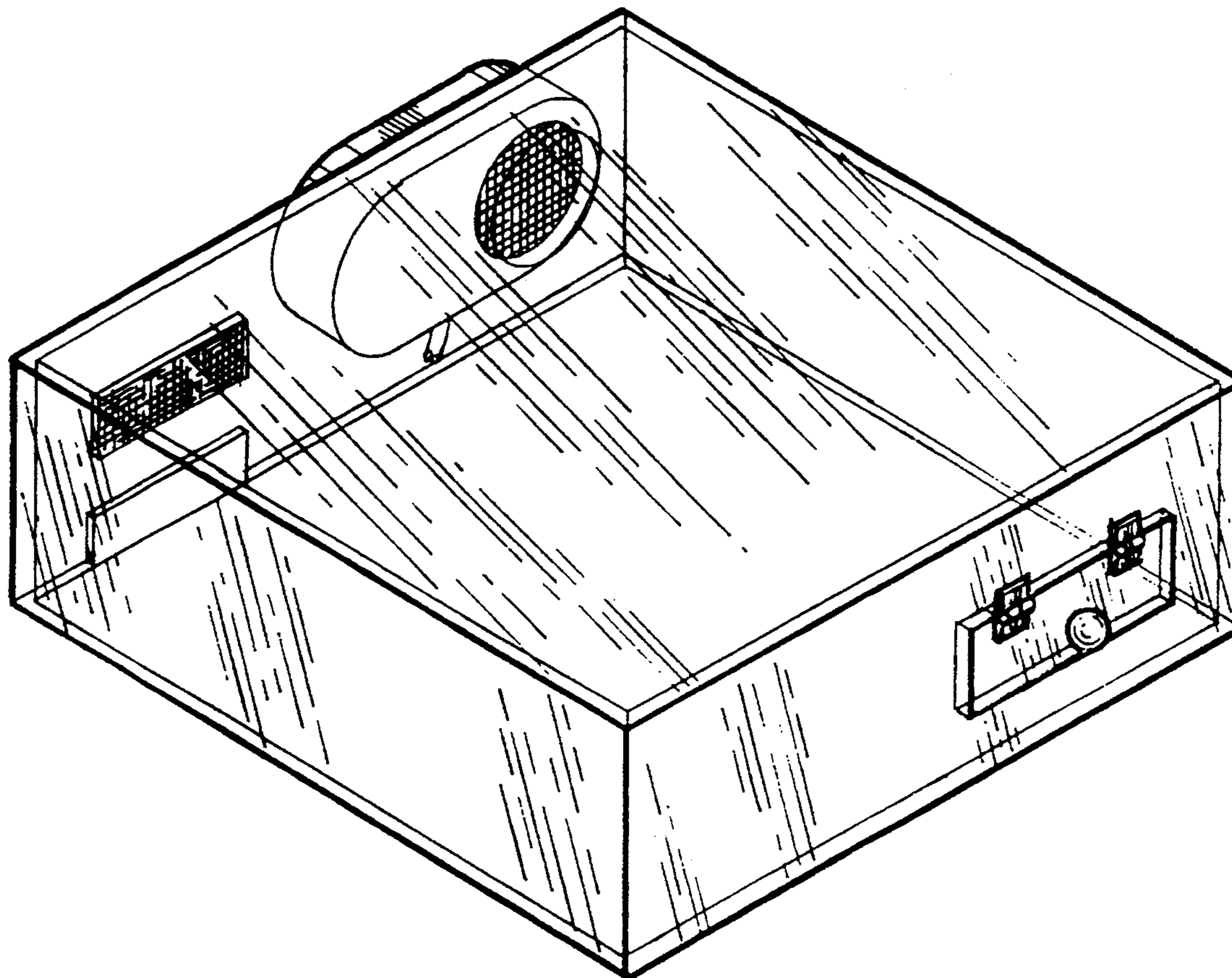
FIG. 5 is a top plan view thereof; and,

FIG. 6 is a bottom plan view thereof.

[56] References Cited

U.S. PATENT DOCUMENTS

D. 237,754	11/1975	Ray	D14/114
D. 237,755	11/1975	Ray	D14/114
D. 265,561	7/1982	Cottrell	D14/114
D. 313,792	1/1991	Sawada	D14/114
D. 319,218	8/1991	Sakaguchi	D14/114
D. 323,929	2/1992	Hodson	D14/114



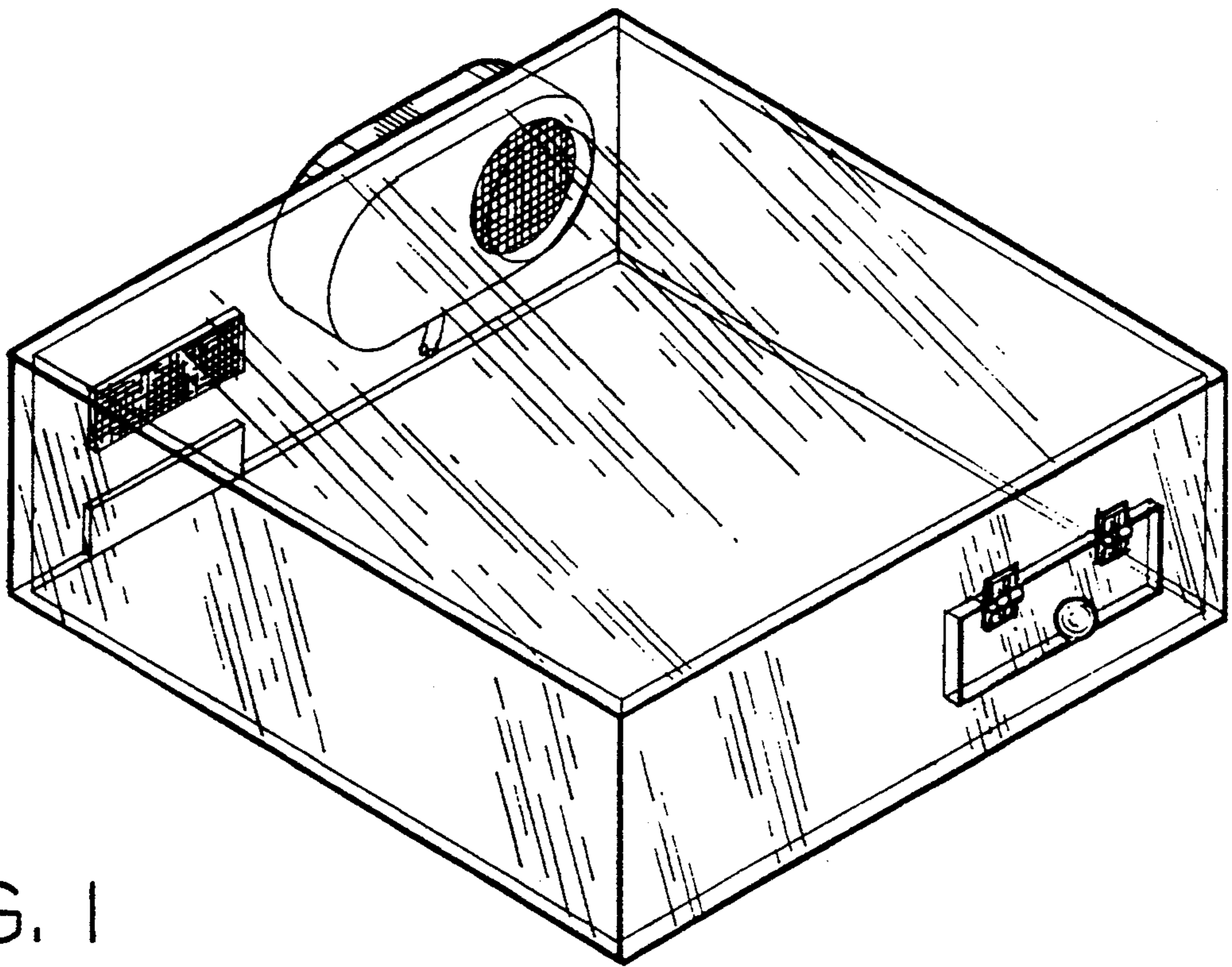


FIG. 1

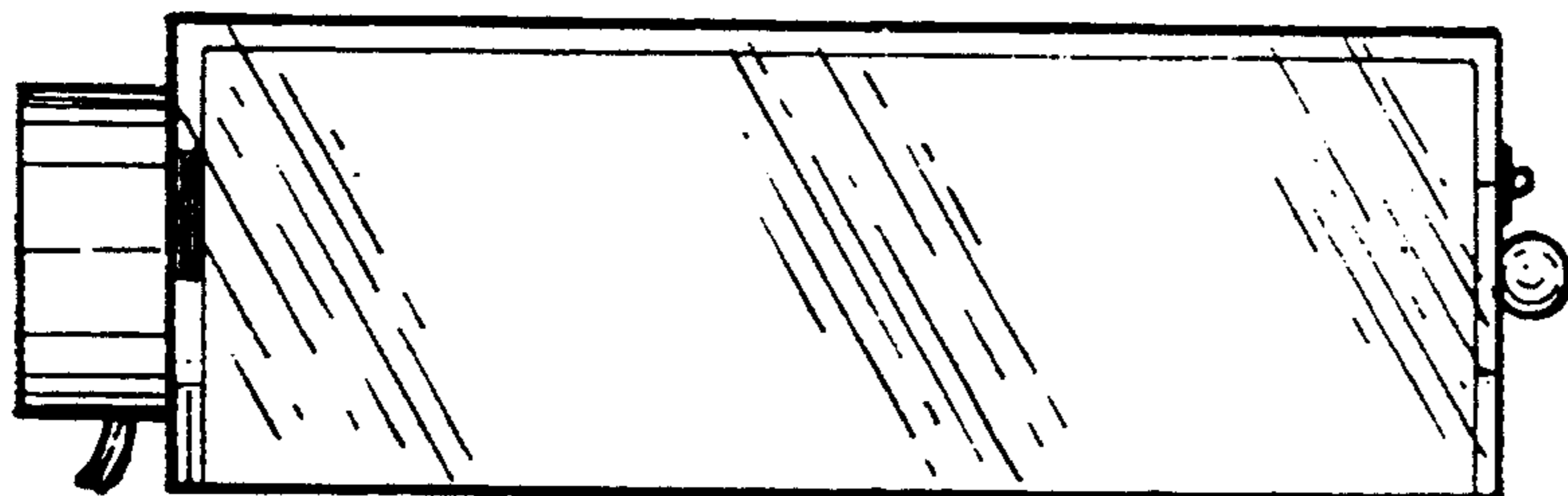


FIG. 2

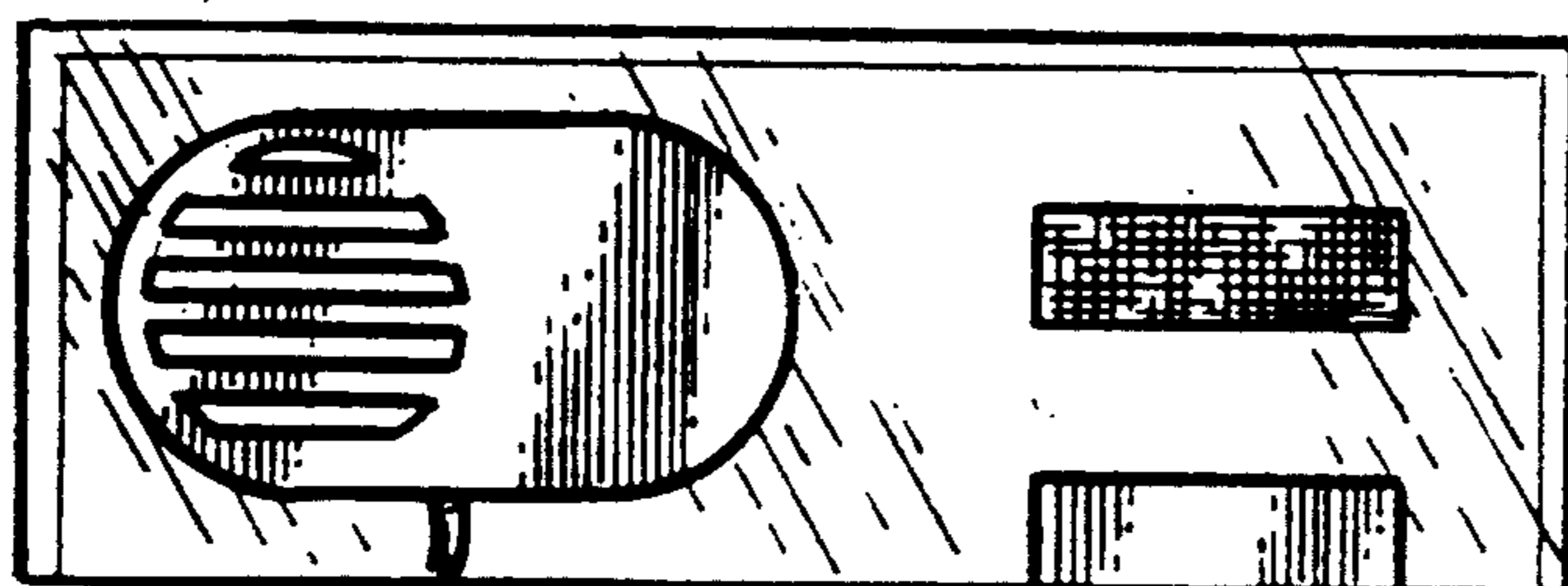


FIG. 3

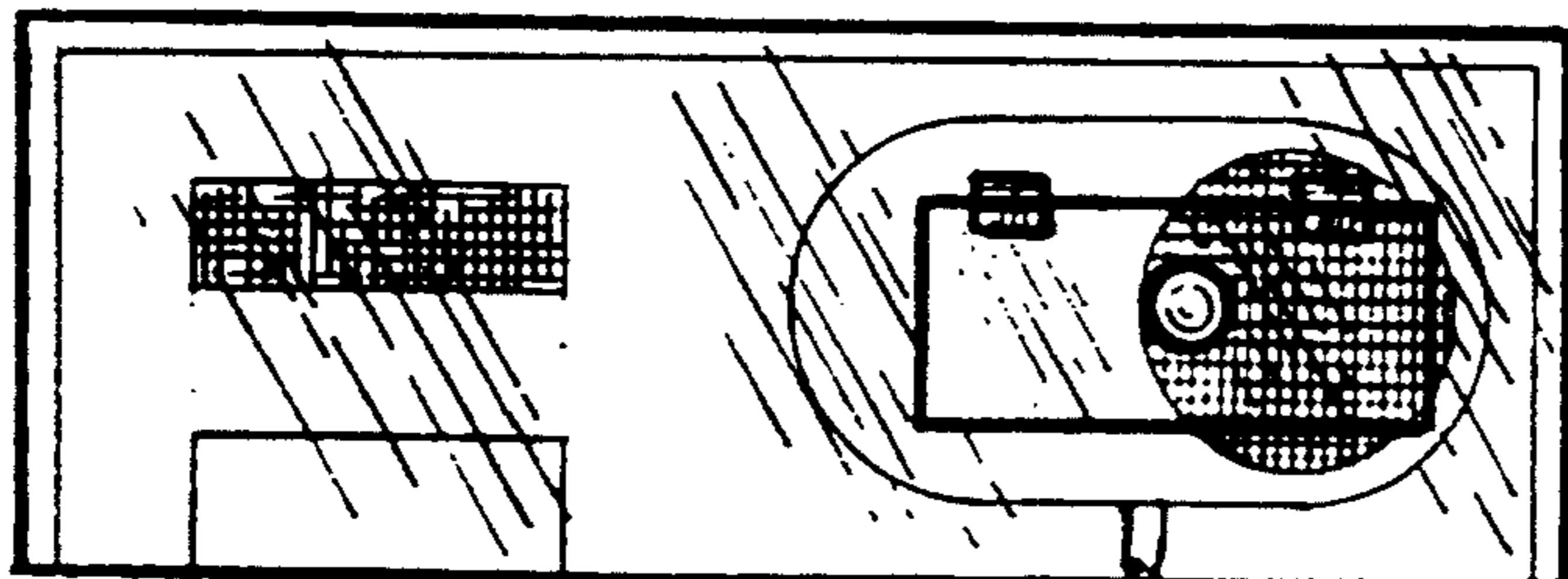


FIG. 4

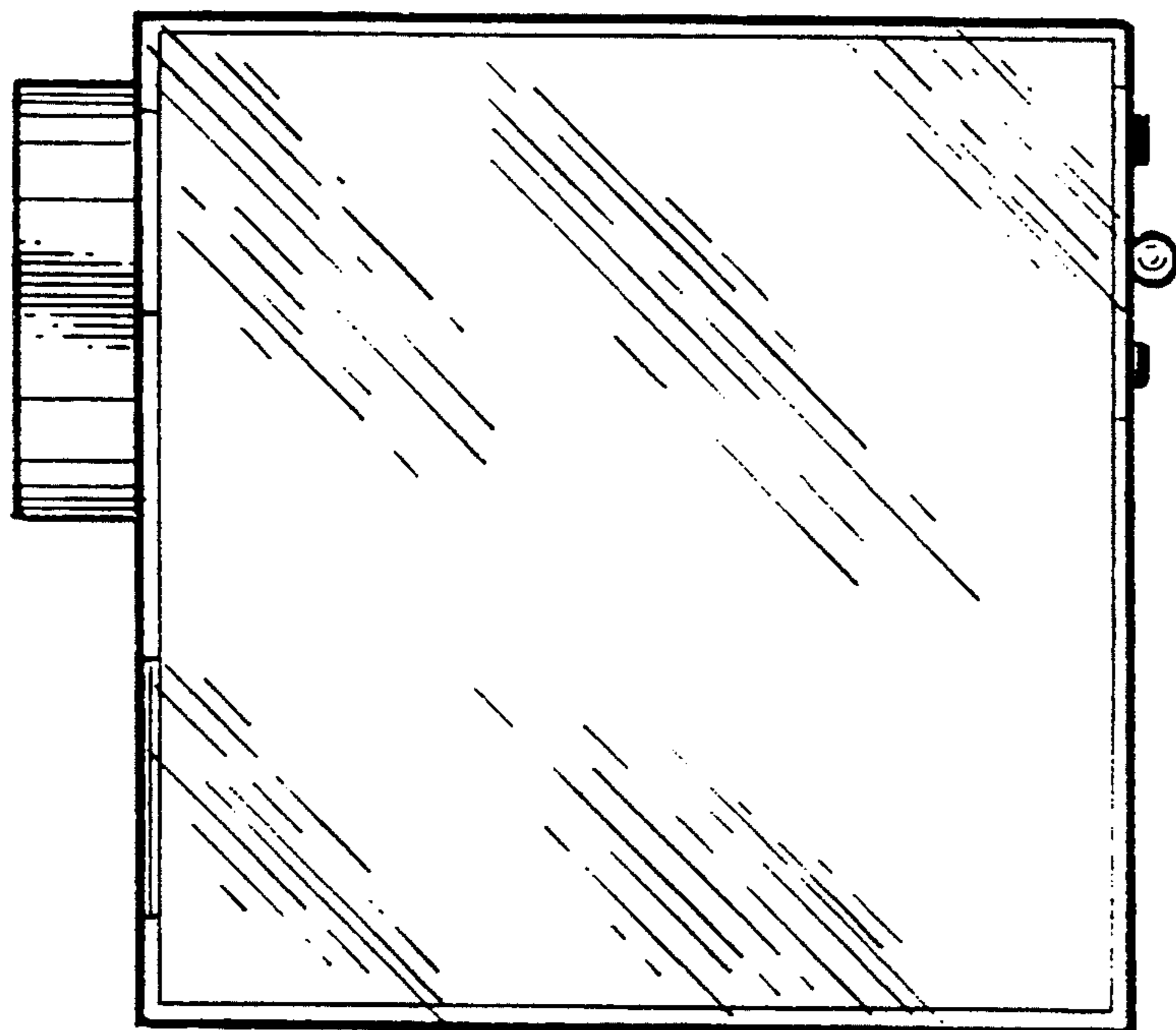


FIG. 5

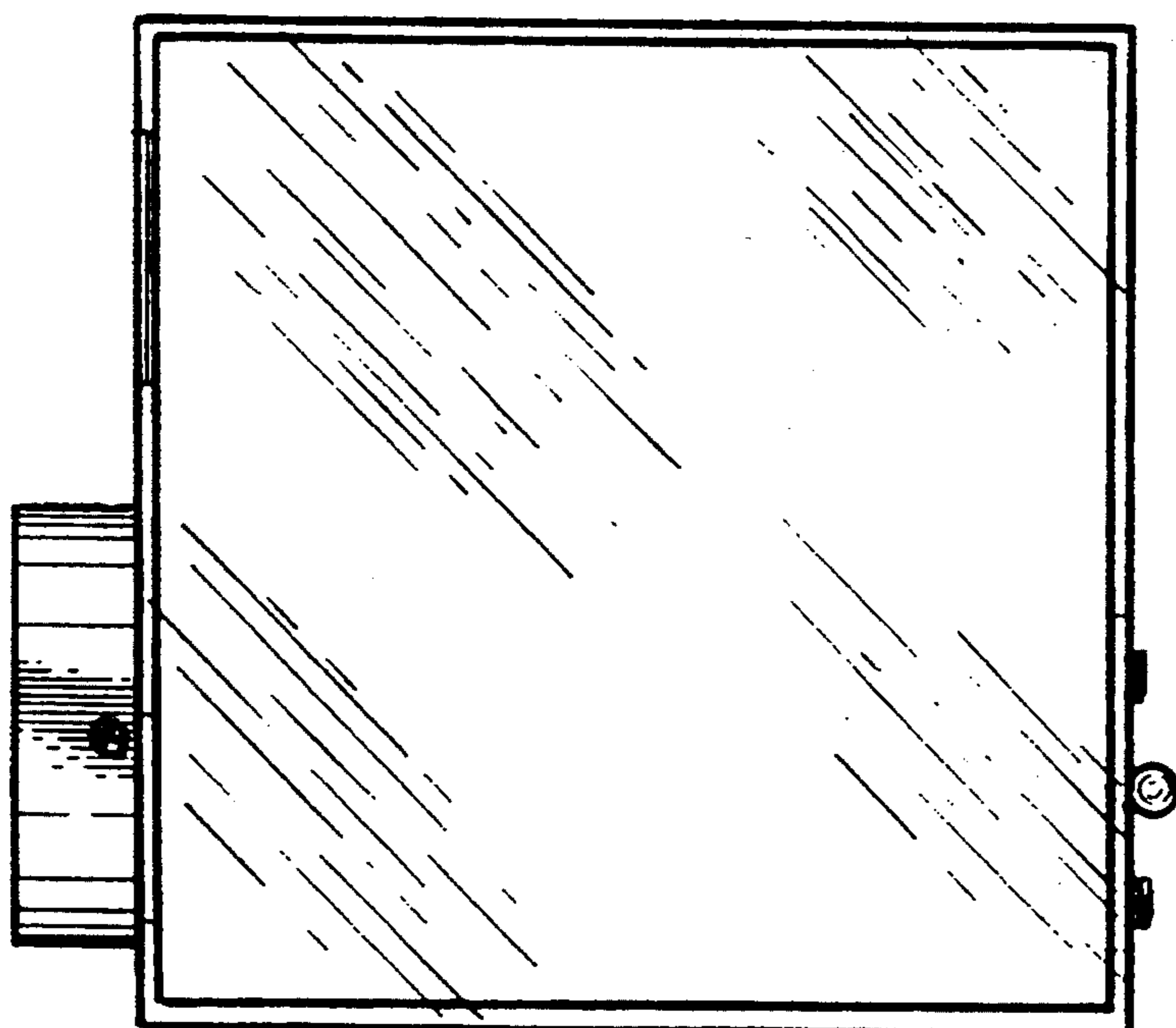


FIG. 6