



US00D349892S

# United States Patent [19]

[11] Patent Number: **Des. 349,892**

**Nakaizumi**

[45] Date of Patent: **\*\* Aug. 23, 1994**

[54] **CASE FOR AN OPTICAL DISC CARTRIDGE**

D. 321,429 11/1991 Kojo ..... D3/35  
3,860,248 6/1975 Hunt et al. .... 206/444

[75] Inventor: **Hiroshi Nakaizumi**, Tokyo, Japan

[73] Assignee: **Sony Corporation**, Tokyo, Japan

[\*\*] Term: **14 Years**

*Primary Examiner*—Wallace R. Burke  
*Assistant Examiner*—M. H. Tung  
*Attorney, Agent, or Firm*—Lewis H. Eslinger; Jay H. Maioli

[21] Appl. No.: **870,311**

[22] Filed: **Apr. 17, 1992**

[57] **CLAIM**

The ornamental design for a case for an optical disc cartridge, as shown and described.

[30] **Foreign Application Priority Data**

**DESCRIPTION**

Nov. 21, 1991 [JP] Japan ..... 3-35121

[52] U.S. Cl. .... **D14/114**

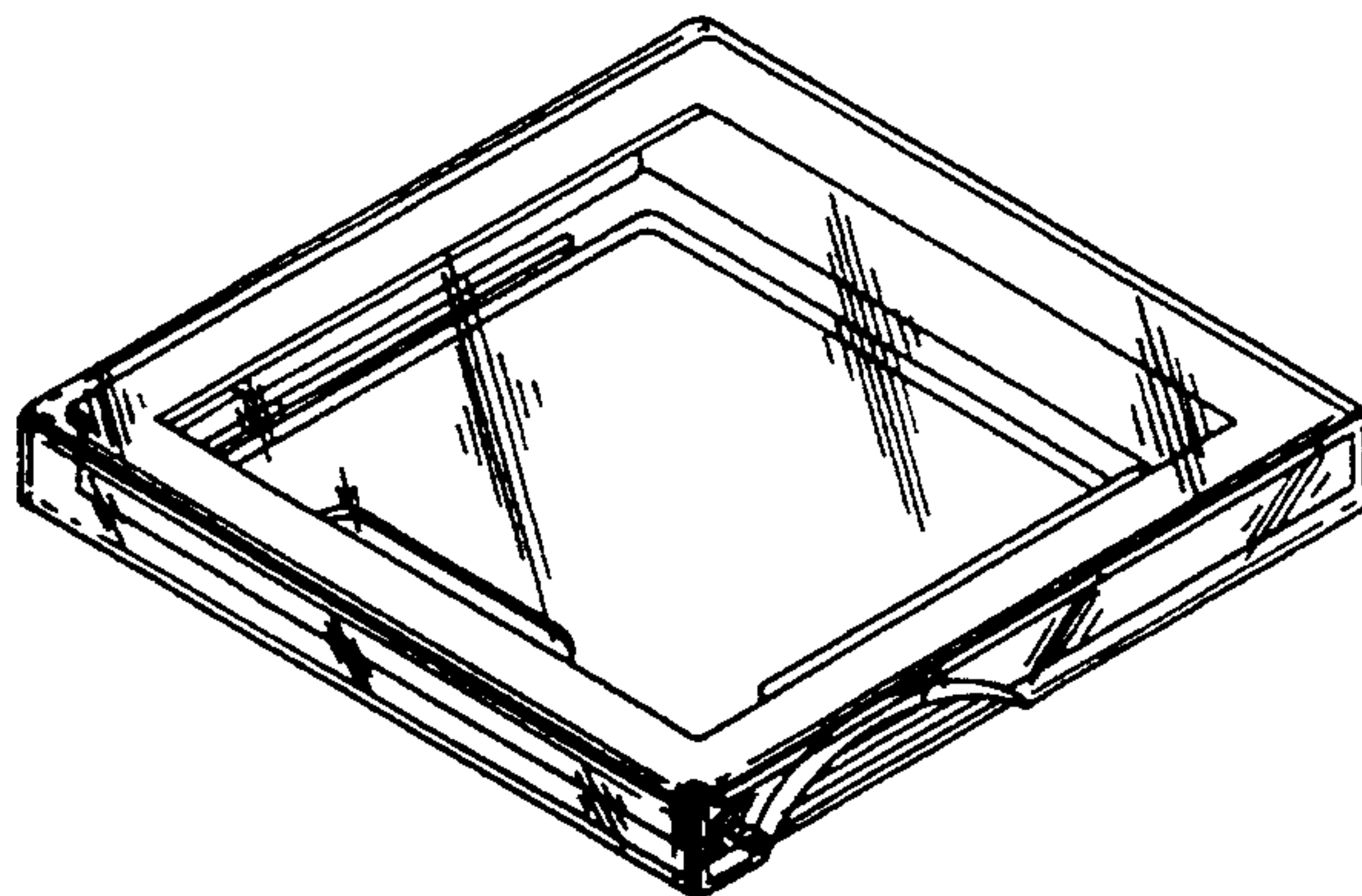
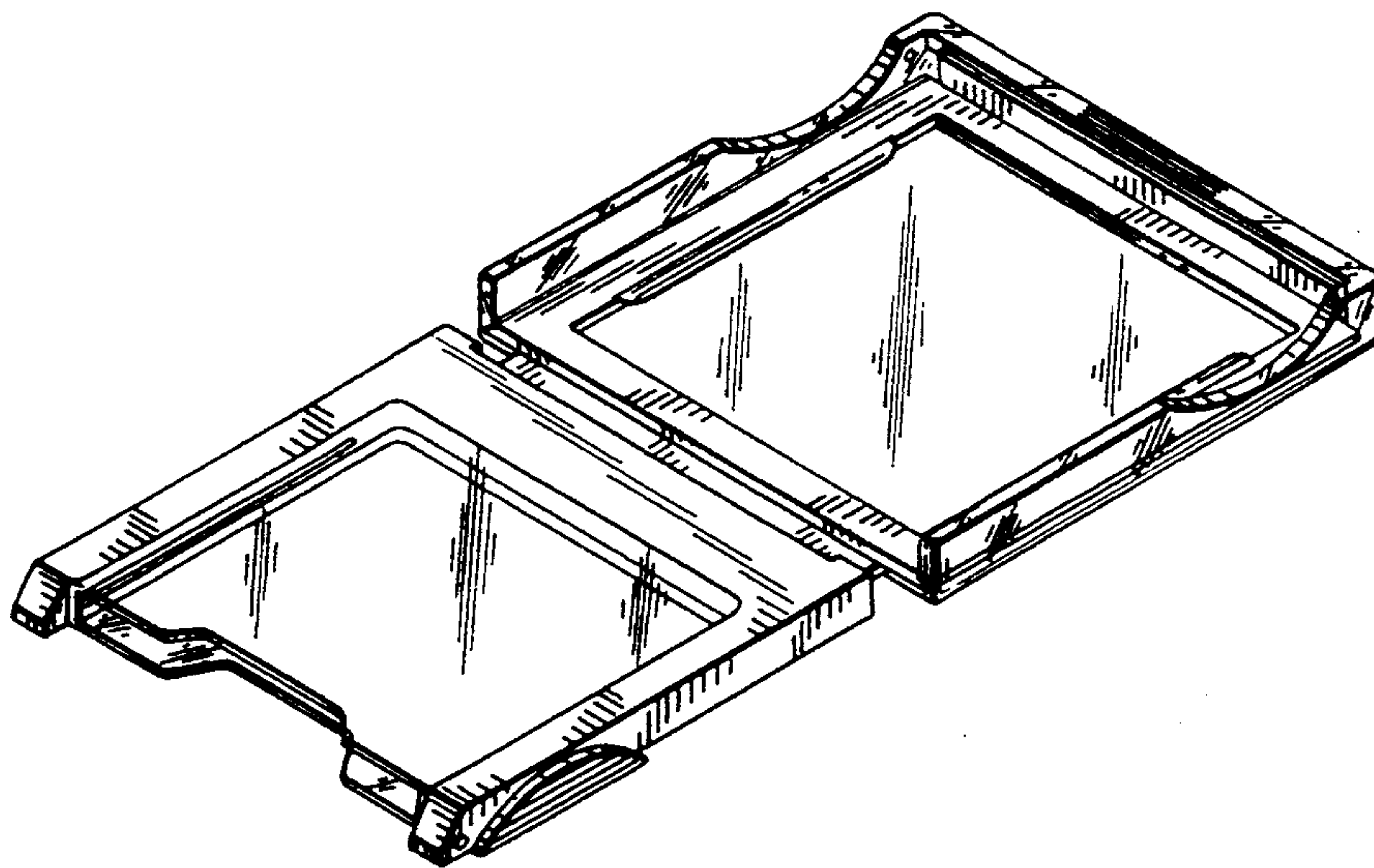
[58] **Field of Search** ..... 360/60, 132-133,  
360/135, 97.01-99.12; 206/312, 444; D3/30.1,  
35; D14/114, 100, 107

FIG. 1 is a top plan view of a case for an optical disc cartridge showing my new design;  
FIG. 2 is a front elevational view thereof;  
FIG. 3 is a right-side elevational view thereof, the left side being a mirror image thereof;  
FIG. 4 is a rear elevational view thereof;  
FIG. 5 is a bottom plan view thereof;  
FIG. 6 is a top, front and right-side perspective view thereof, shown in the open position; and,  
FIG. 7 is a top, front and right-side perspective view thereof.

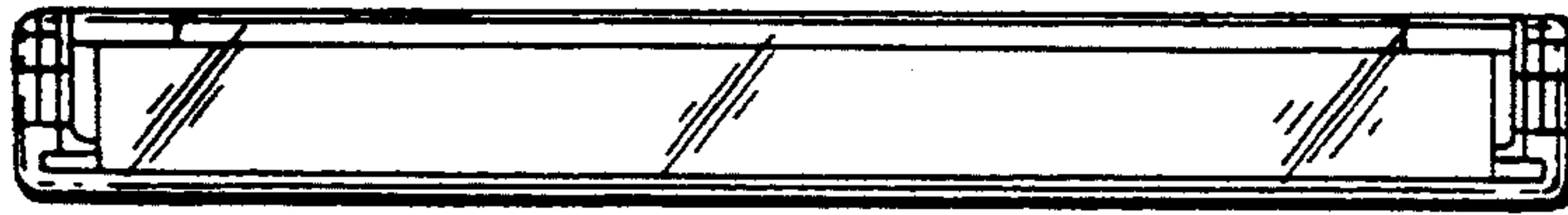
[56] **References Cited**

**U.S. PATENT DOCUMENTS**

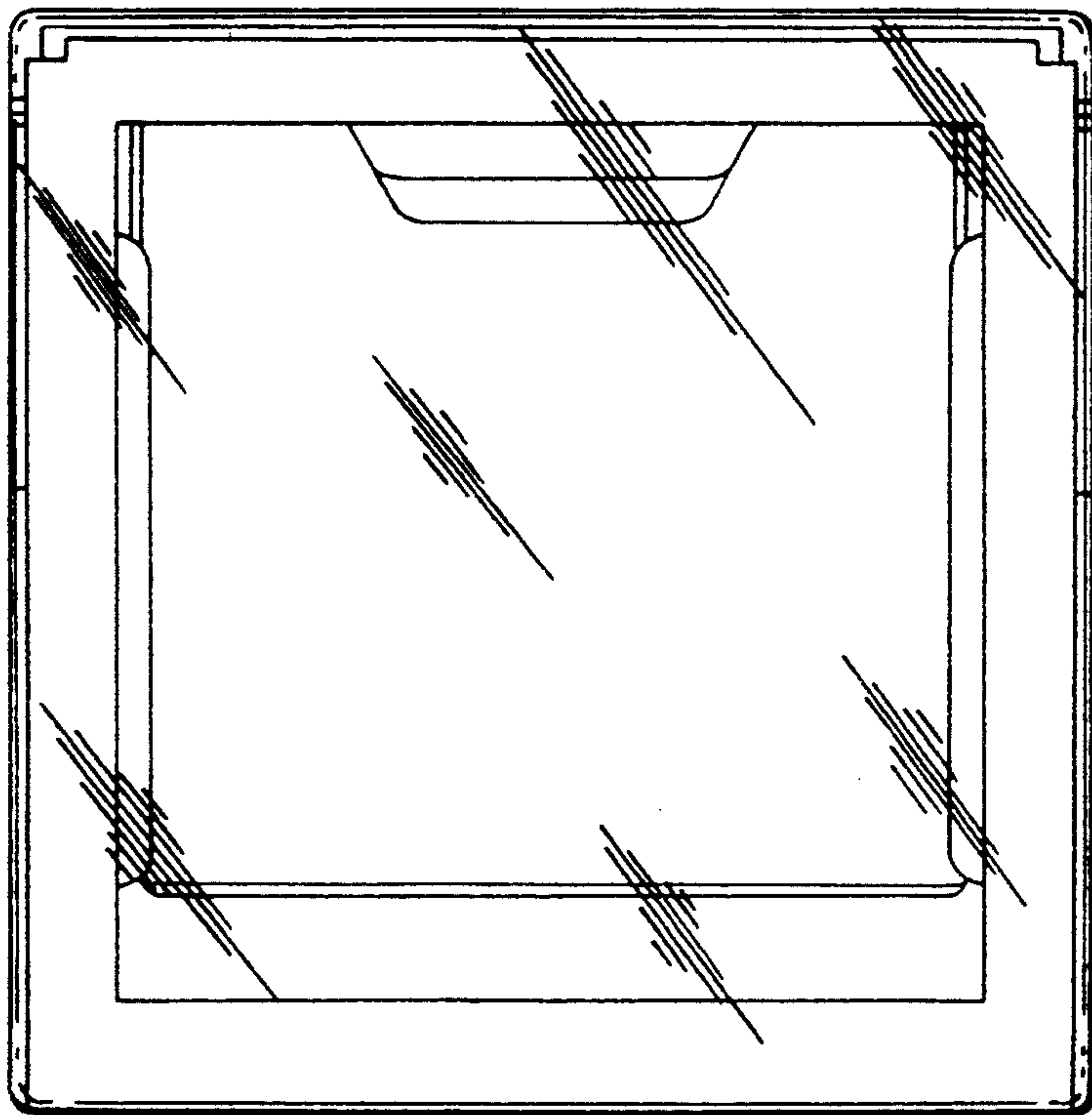
D. 220,597 4/1971 Dawson et al. .... D3/35  
D. 271,349 11/1983 Thiele ..... D3/30.1 X  
D. 278,242 4/1985 Saito ..... D14/114  
D. 307,893 5/1990 Kato et al. .... D14/114



*FIG. 1*

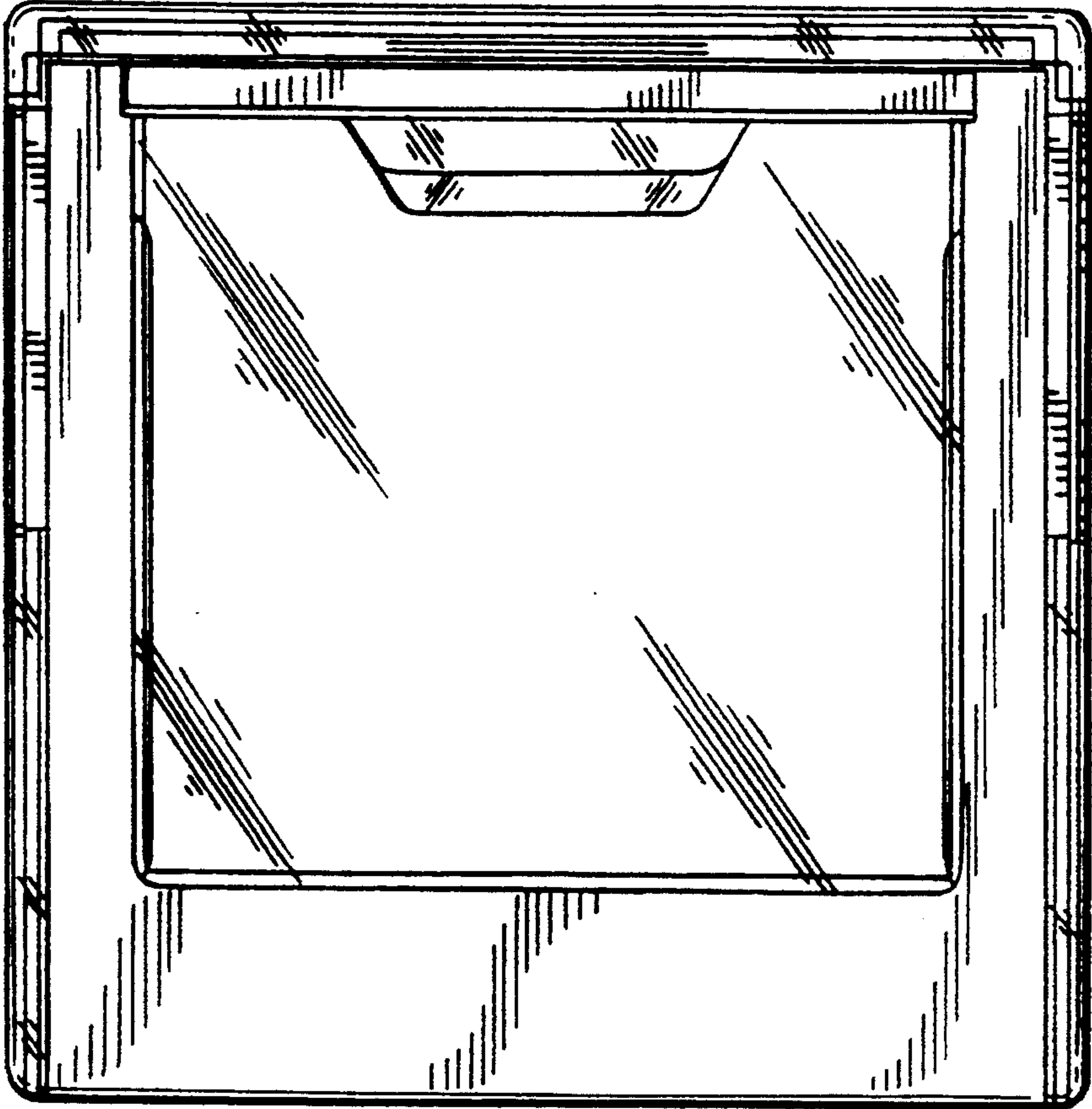


*FIG. 2*

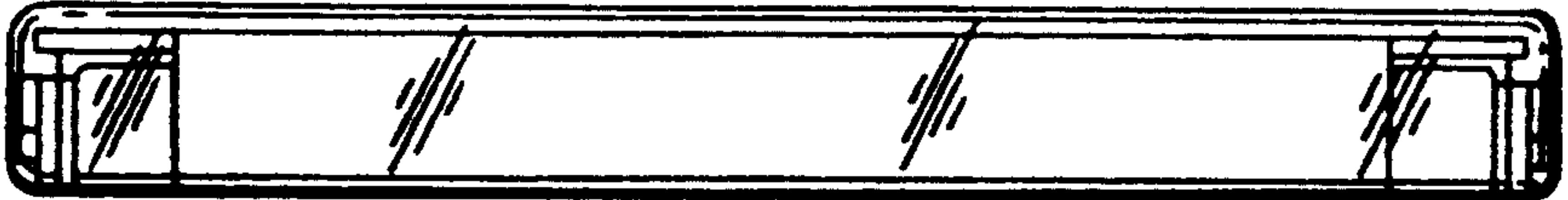


*FIG. 3*





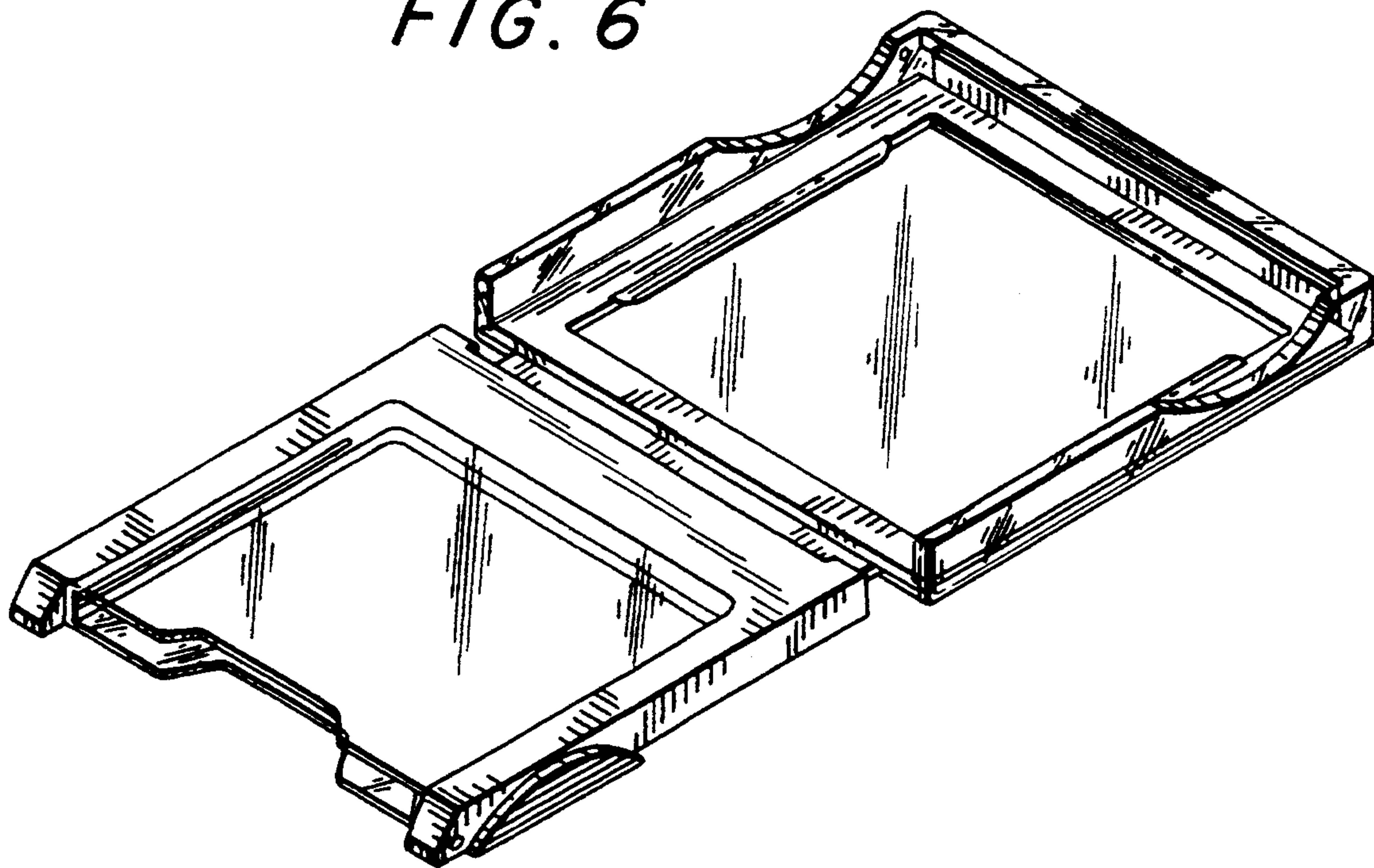
*FIG. 4*



*FIG. 5*



*FIG. 6*



*FIG. 7*

