



US00D349890S

United States Patent [19] Kabumoto

[11] Patent Number: **Des. 349,890**

[45] Date of Patent: **** Aug. 23, 1994**

[54] **OPTICAL FILING SYSTEM**

[75] Inventor: **Masaaki Kabumoto**, Yachiyo, Japan

[73] Assignee: **Ricoh Company, Ltd.**, Tokyo, Japan

[**] Term: **14 Years**

[21] Appl. No.: **889,311**

[22] Filed: **May 28, 1992**

[30] **Foreign Application Priority Data**

Nov. 29, 1991 [JP] Japan 3-35963

[52] U.S. Cl. **D14/109**

[58] Field of Search 360/99.12;
361/390-395; 312/208.1, 223.2, 223.3, 194;
D14/100-102, 107, 108, 109; D13/162, 184,
199

[56] **References Cited**

U.S. PATENT DOCUMENTS

D. 322,779 12/1991 Ito et al. D14/108
D. 331,574 12/1992 Ito et al. D14/109

OTHER PUBLICATIONS

Super Store 2000—Optical disk drive on left.
TEAC-SB-3000 Data Cassette Streamer Subsystem—1989.

Primary Examiner—Wallace R. Burke
Assistant Examiner—Freda S. Nunn
Attorney, Agent, or Firm—Oblon, Spivak, McClelland,
Maier & Neustadt

[57] **CLAIM**

The ornamental design for an optical filing system, as shown and described.

DESCRIPTION

FIG. 1 is a front, top and right side perspective view of an optical filing system, showing my new design;
FIG. 2 is a front elevational view thereof;
FIG. 3 is a rear elevational view thereof;
FIG. 4 is a top plan view thereof;
FIG. 5 is a bottom plan view thereof;
FIG. 6 is a right side elevational view thereof;
FIG. 7 is a left side elevational view thereof;
FIG. 8 is a sectional view thereof taken along line 8—8 in FIG. 2; and,
FIG. 9 is a sectional view thereof taken along line 9—9 in FIG. 2.

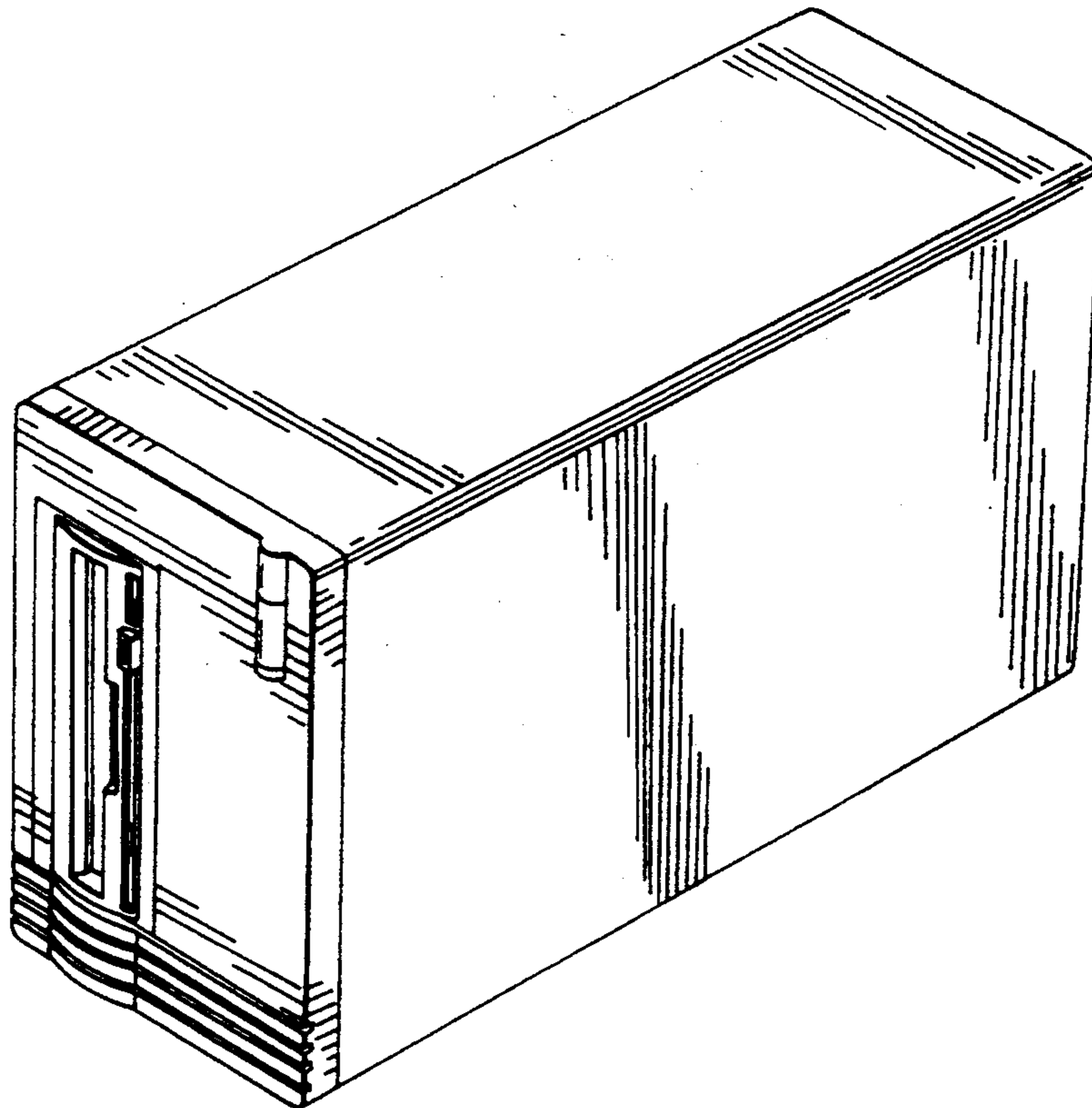
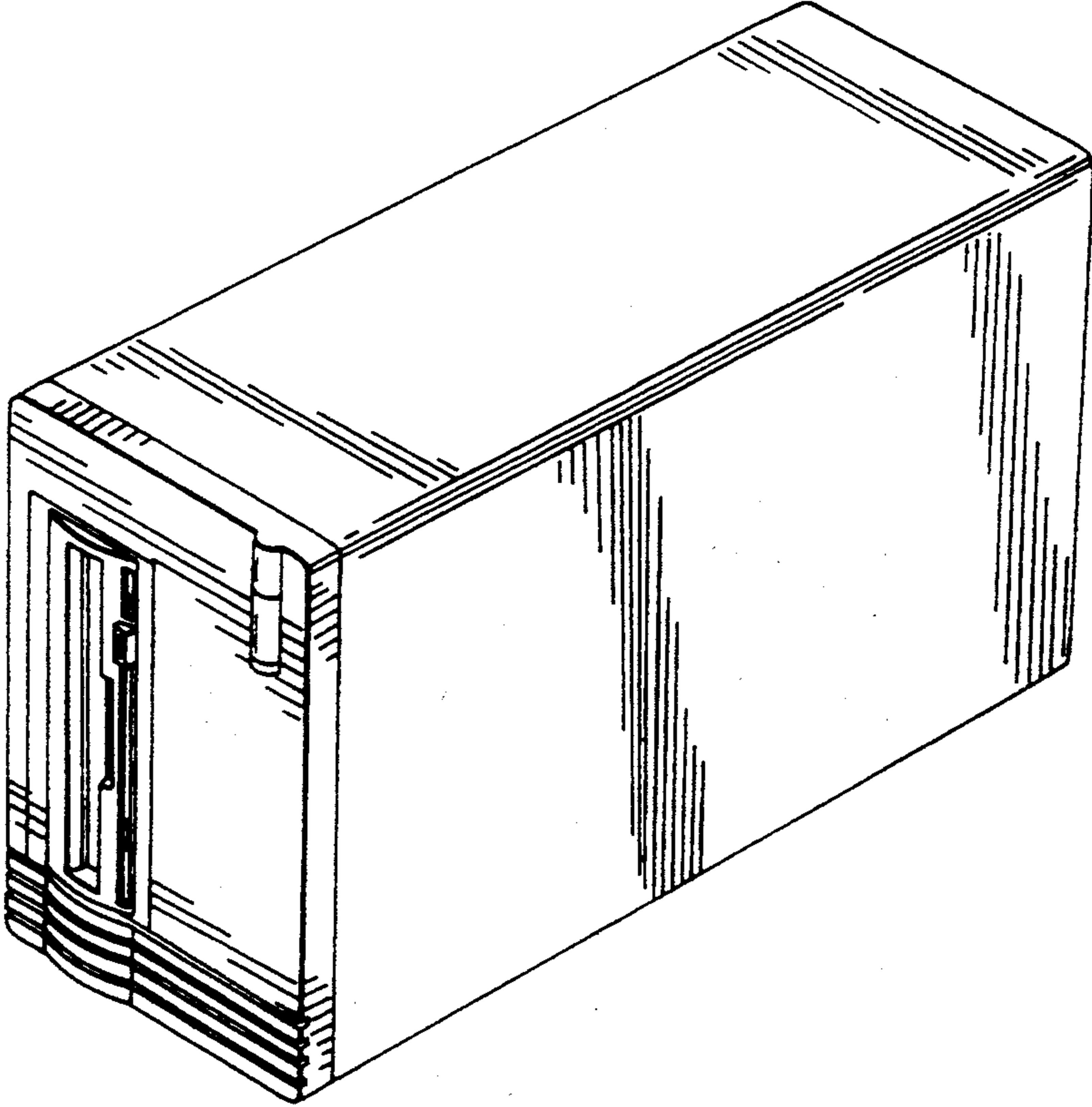
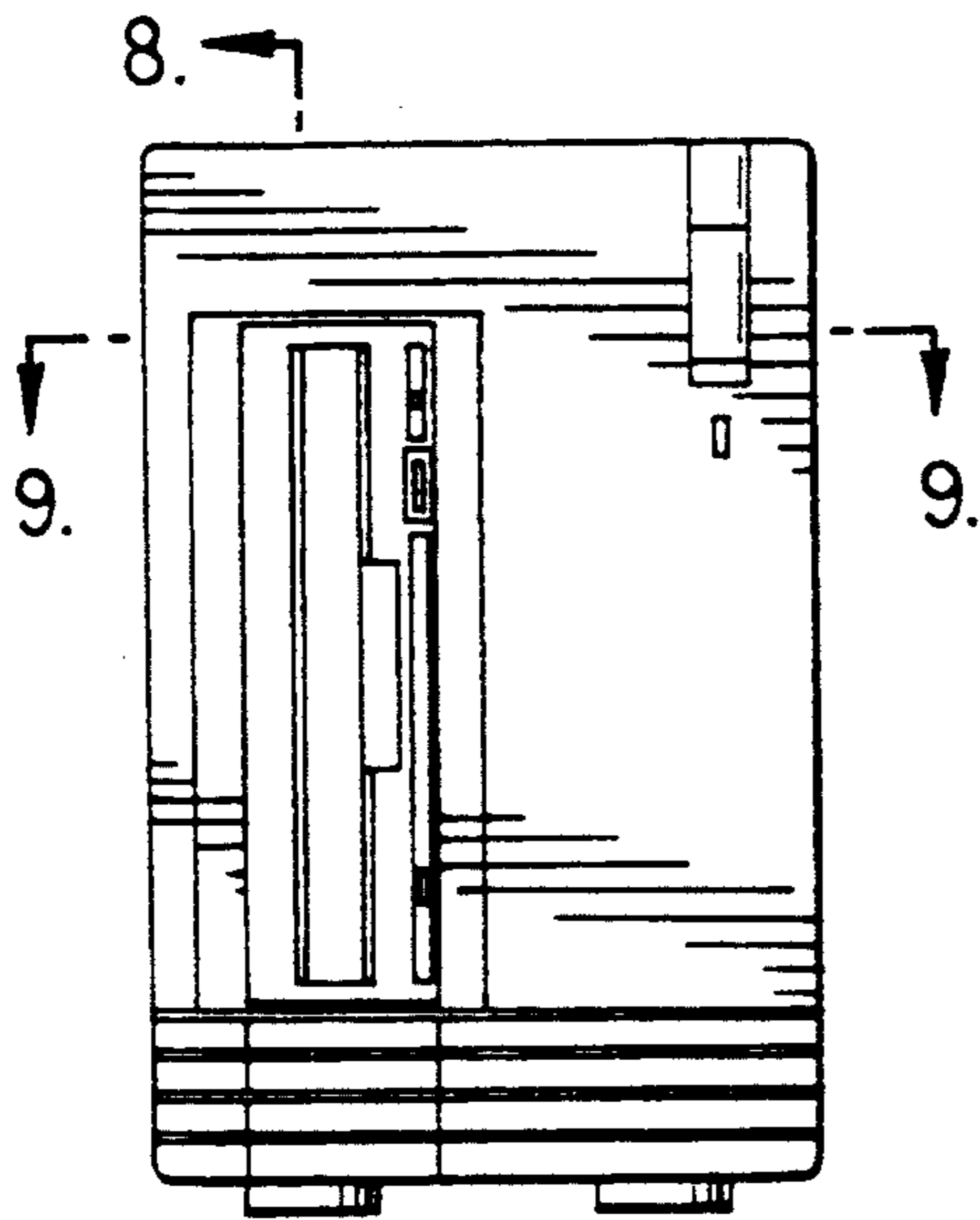


FIG. 1





8. FIG. 2

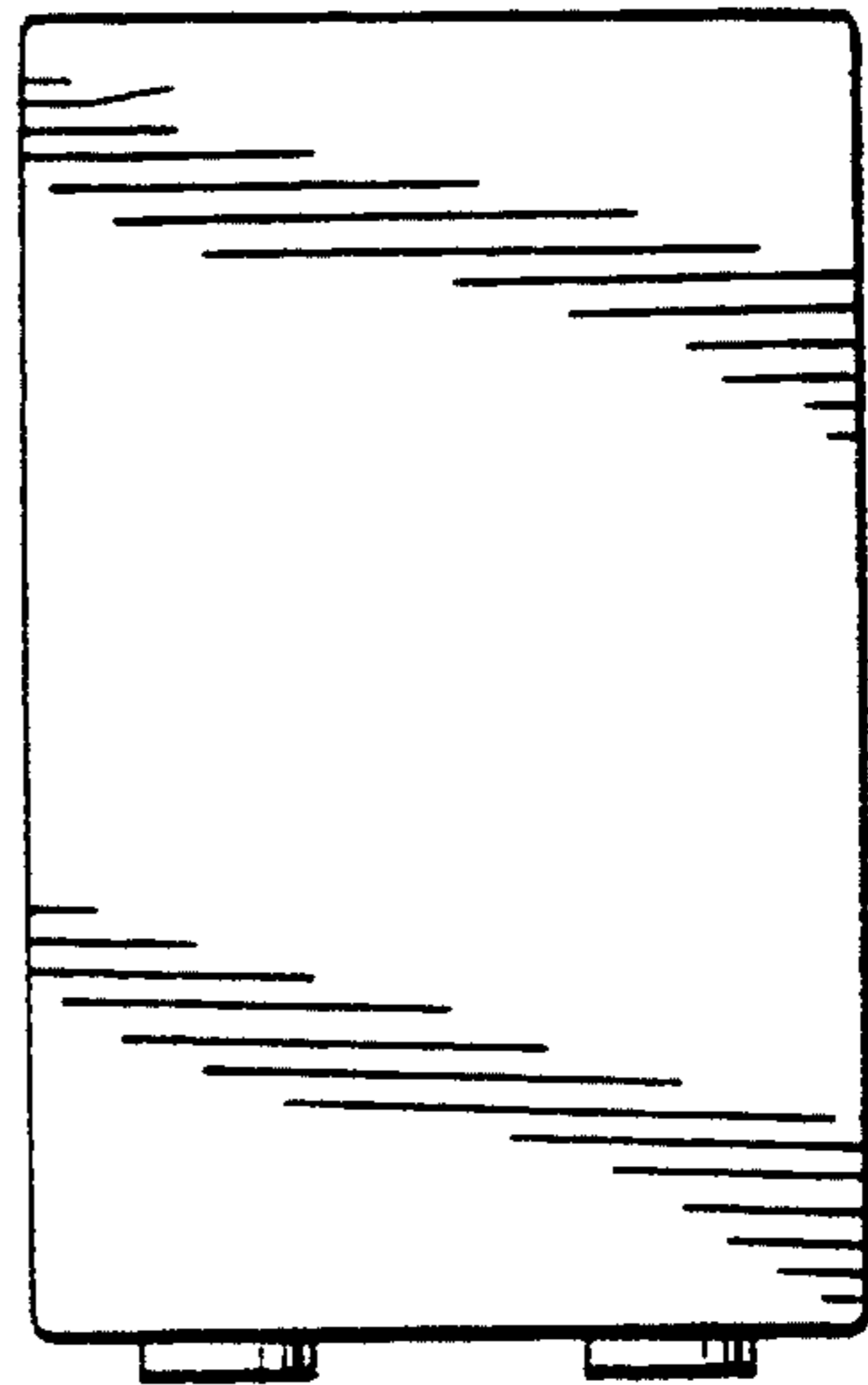


FIG. 3

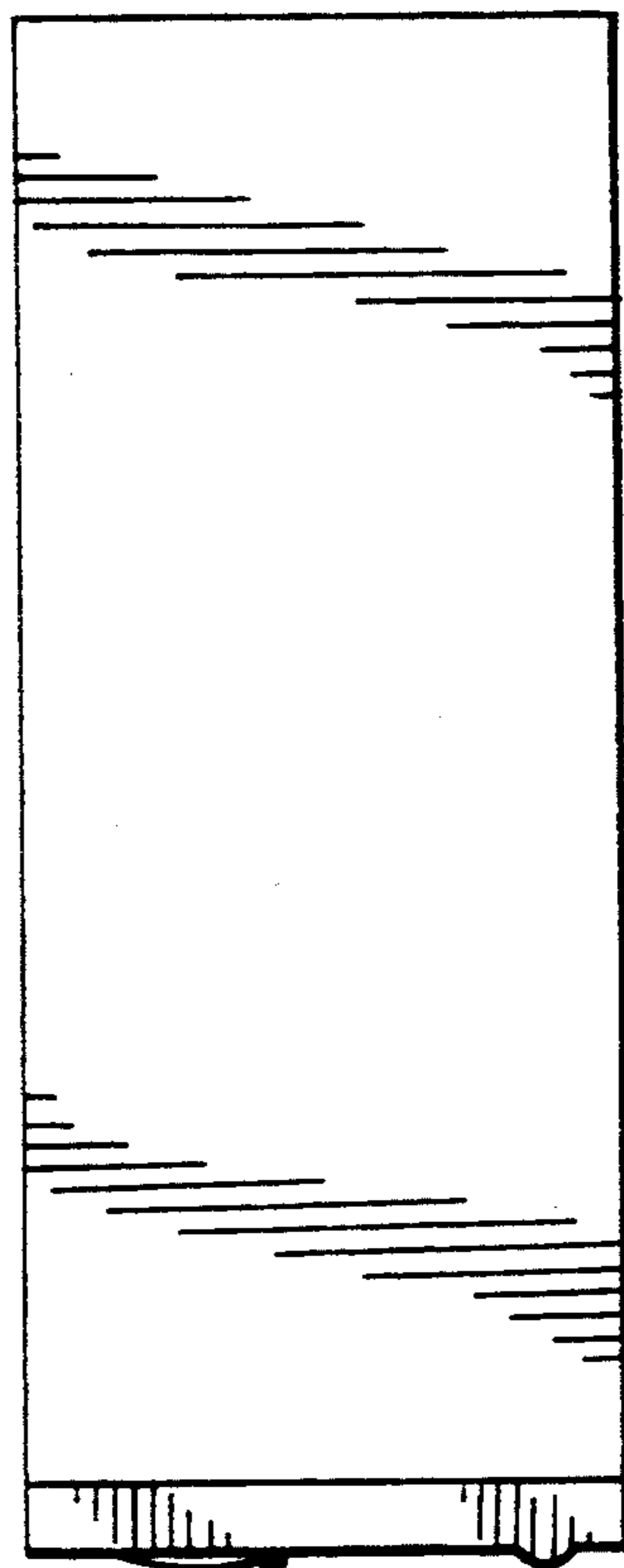


FIG. 4

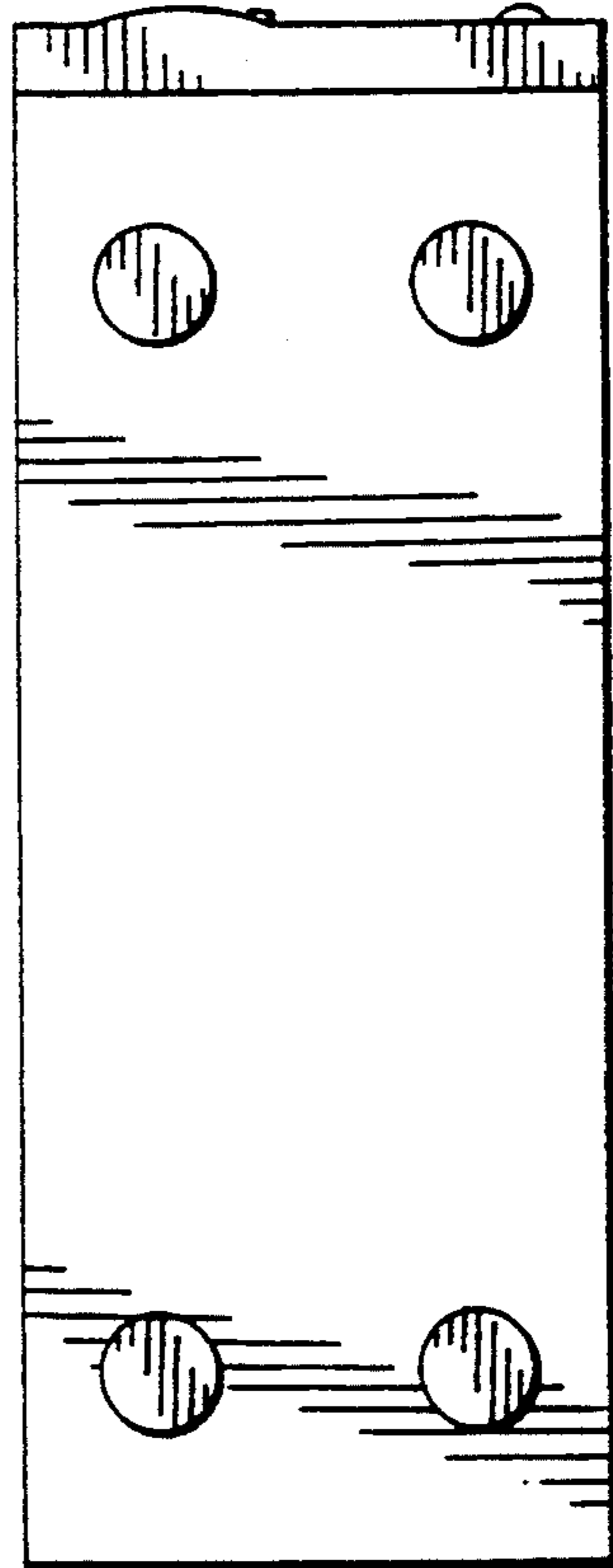


FIG. 5

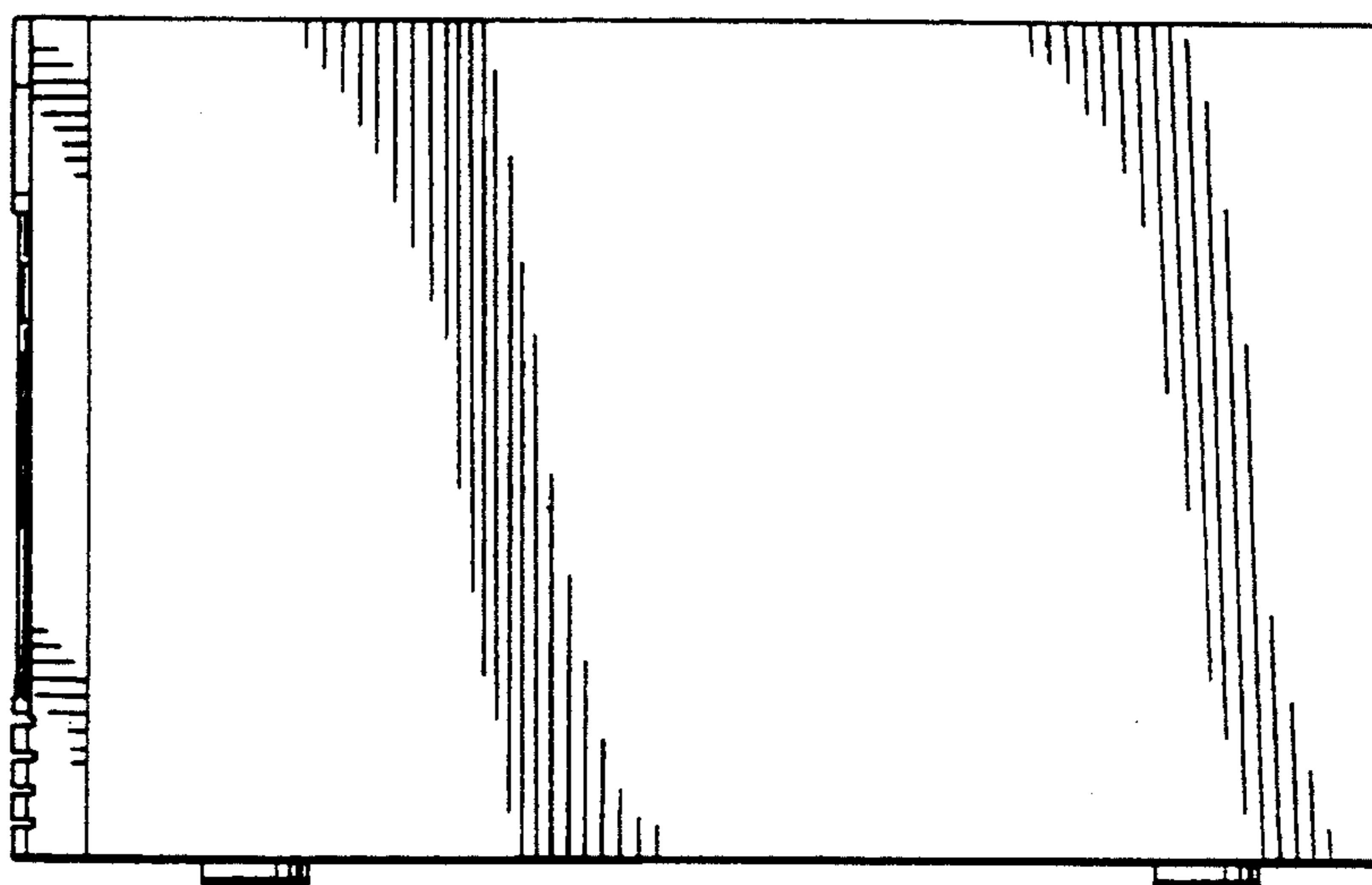


FIG. 6

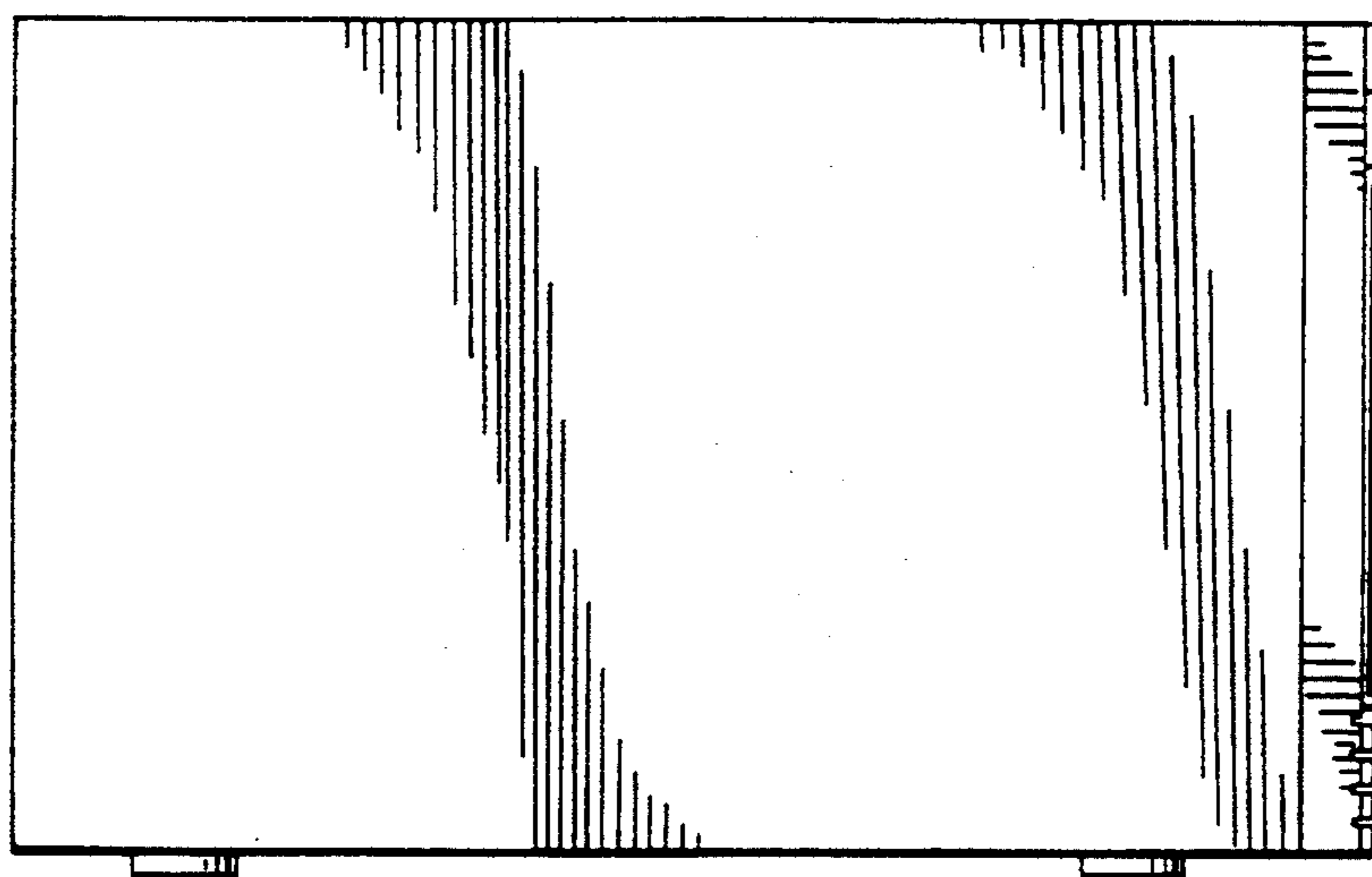


FIG. 7

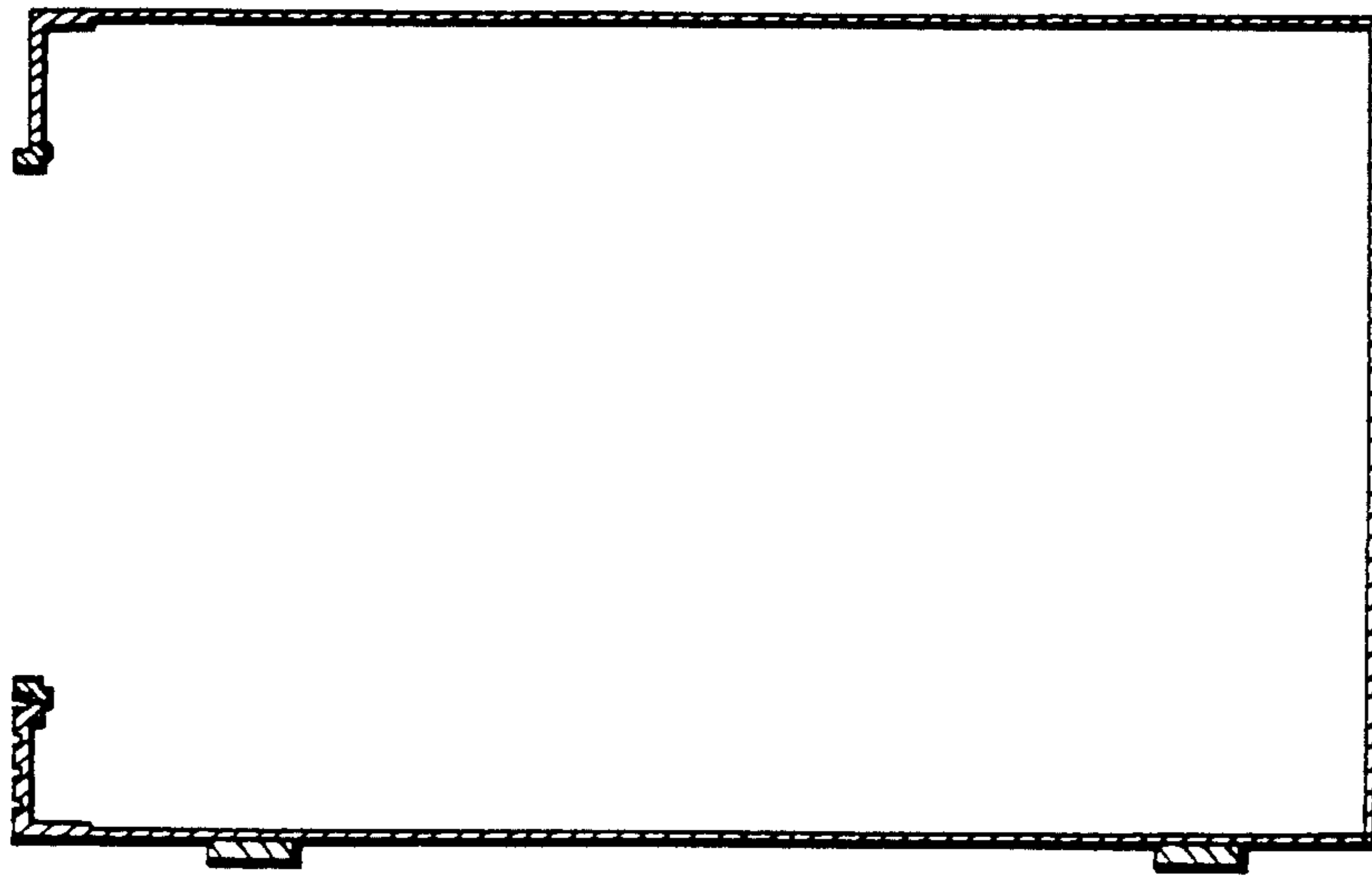


FIG. 8

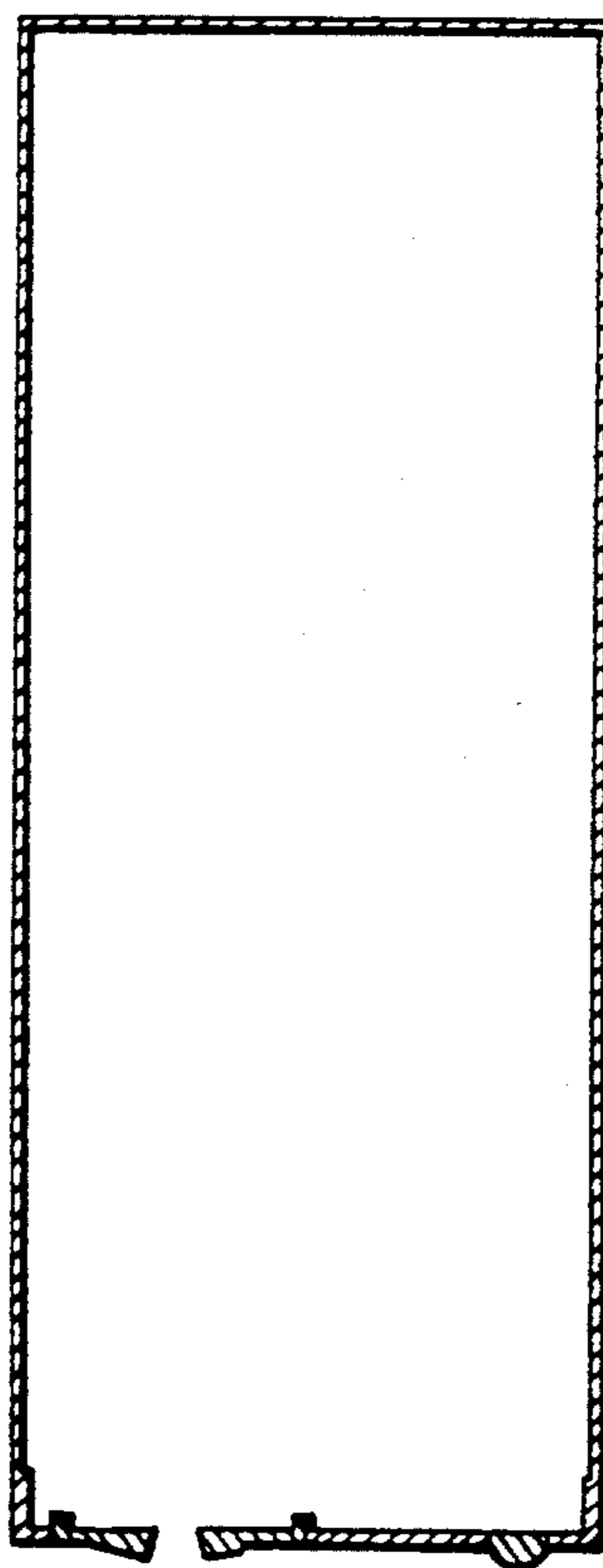


FIG. 9