



US00D349887S

United States Patent [19]

[11] Patent Number: **Des. 349,887**

Page

[45] Date of Patent: **** Aug. 23, 1994**

[54] **HOUSING FOR MOTOR REVERSING CONTROL**

[75] Inventor: **Alan B. Page**, Cass County, Ind.

[73] Assignee: **Emerson Electric Co.**, St. Louis, Mo.

[**] Term: **14 Years**

[21] Appl. No.: **11,186**

[22] Filed: **Jul. 29, 1993**

[52] U.S. Cl. **D13/162; D13/122**

[58] Field of Search **388/820, 803; 318/284, 318/285; D13/122, 162, 184**

[56] **References Cited**

U.S. PATENT DOCUMENTS

D. 291,123 7/1987 McCune D13/162 X
4,578,621 3/1986 Nordlof 318/6

Primary Examiner—Wallace R. Burke
Assistant Examiner—Joel Sincavage
Attorney, Agent, or Firm—Paul A. Becker, Sr.

[57] **CLAIM**

The ornamental design for a housing for motor reversing control, as shown and described.

DESCRIPTION

FIG. 1 is a front, right side and bottom perspective view of a housing for motor reversing control showing my new design;

FIG. 2 is a front elevational view thereof;

FIG. 3 is a right side elevational view thereof;

FIG. 4 is a rear elevational view thereof;

FIG. 5 is a left side elevational view thereof;

FIG. 6 is a top plan view thereof; and,

FIG. 7 is a bottom plan view thereof.

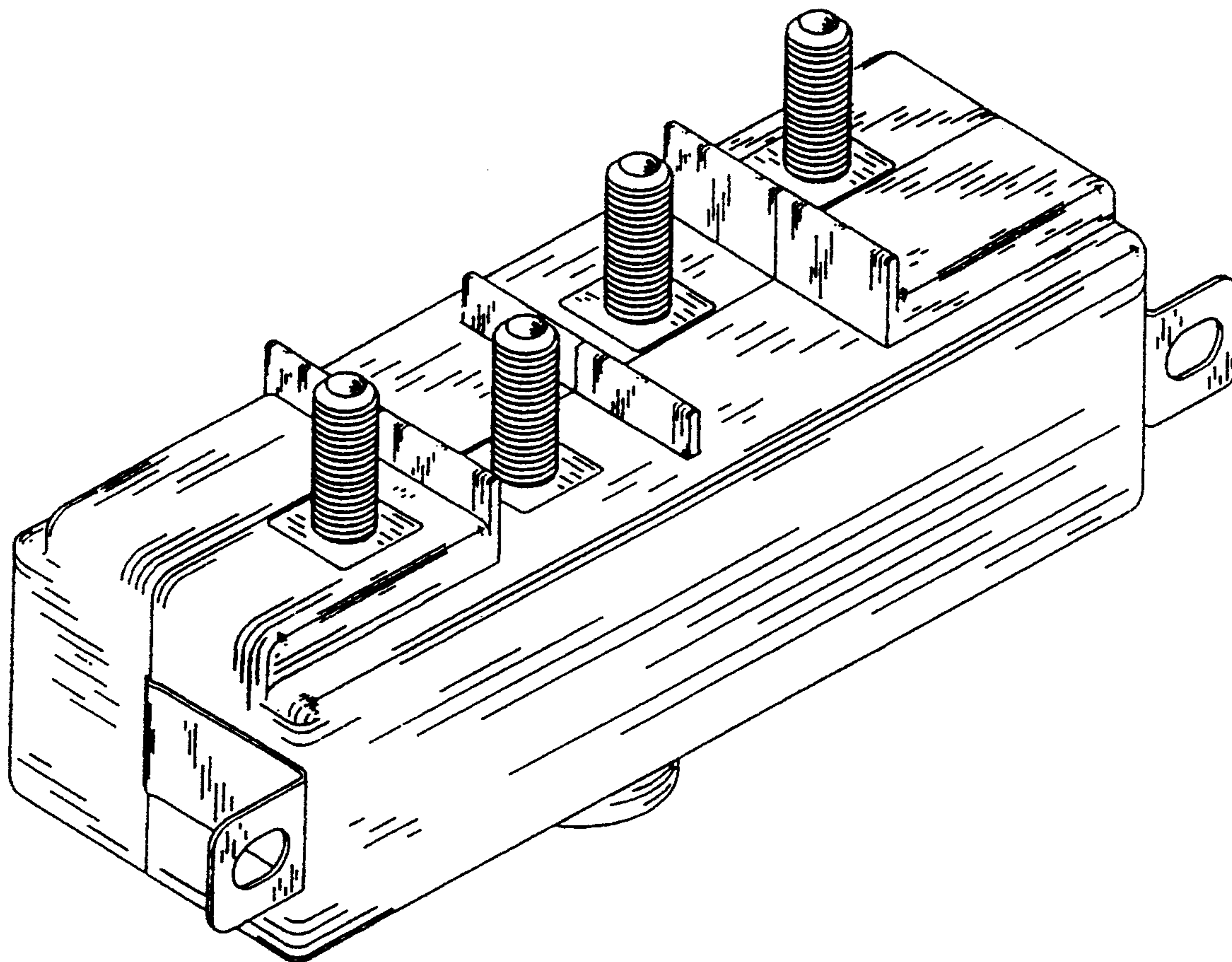


FIG. 1

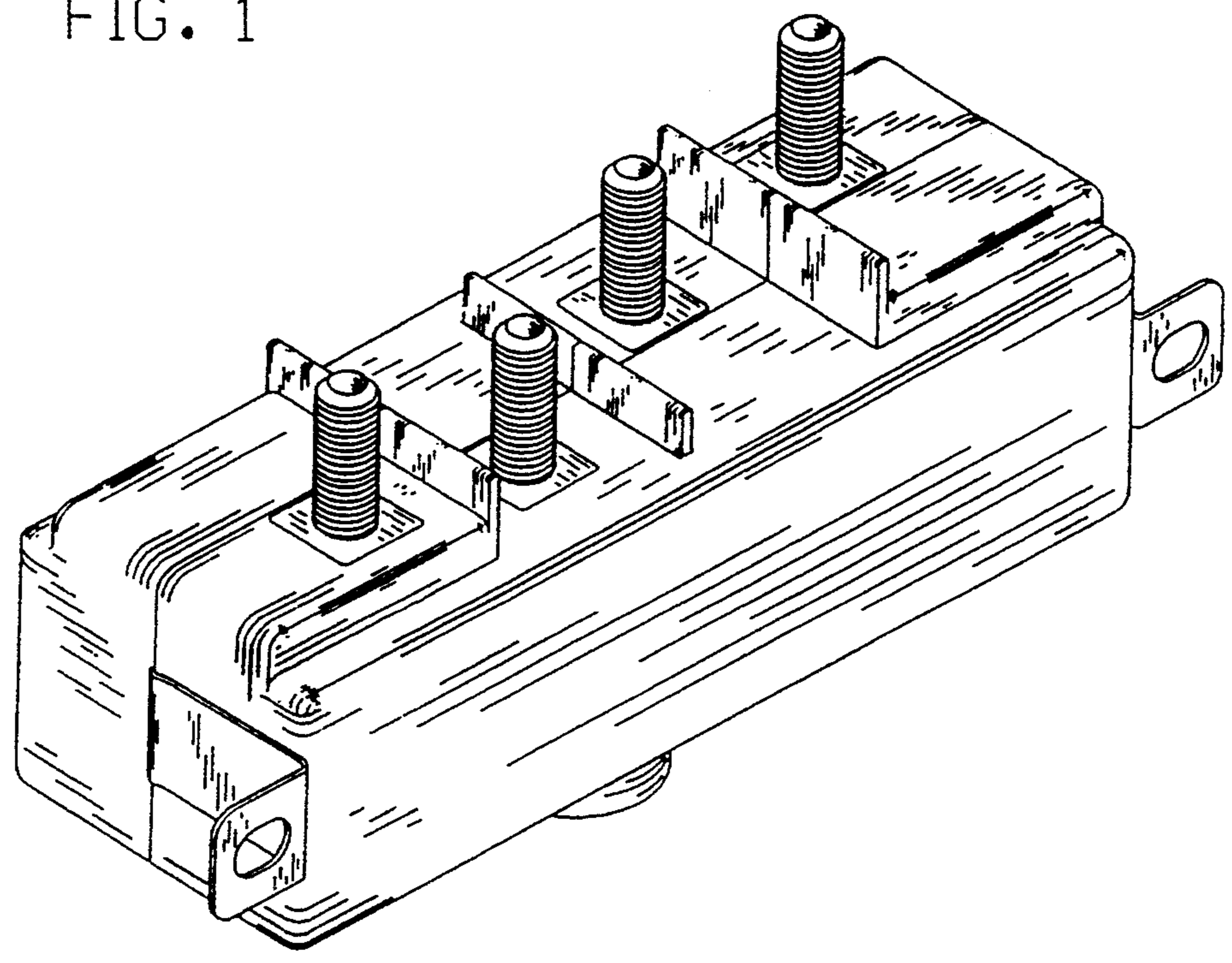


FIG. 2

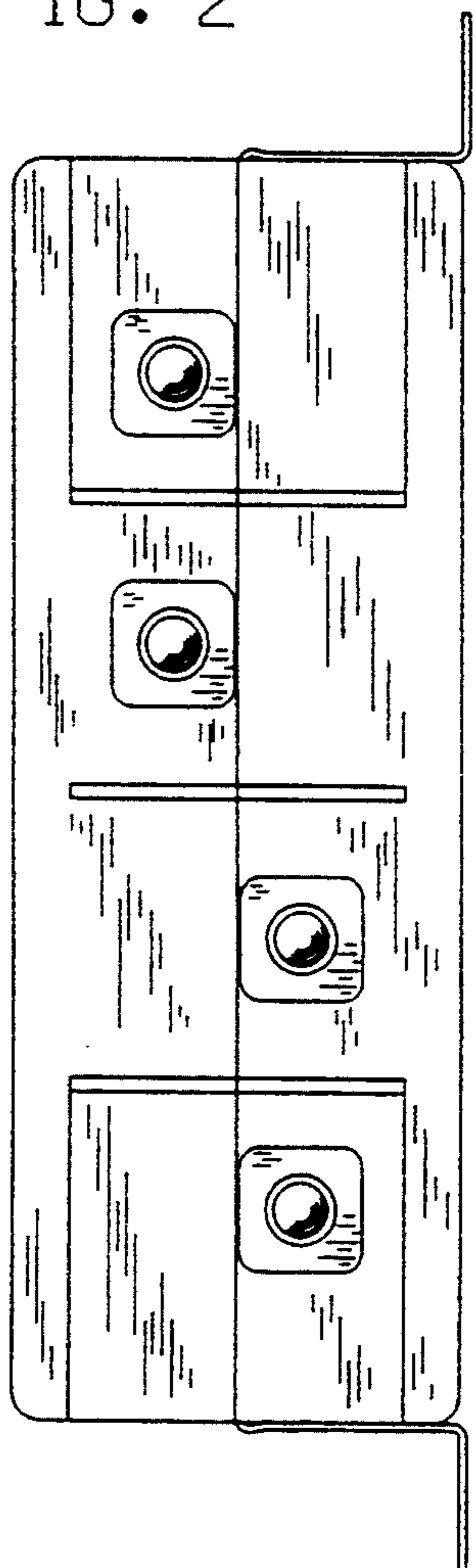


FIG. 3

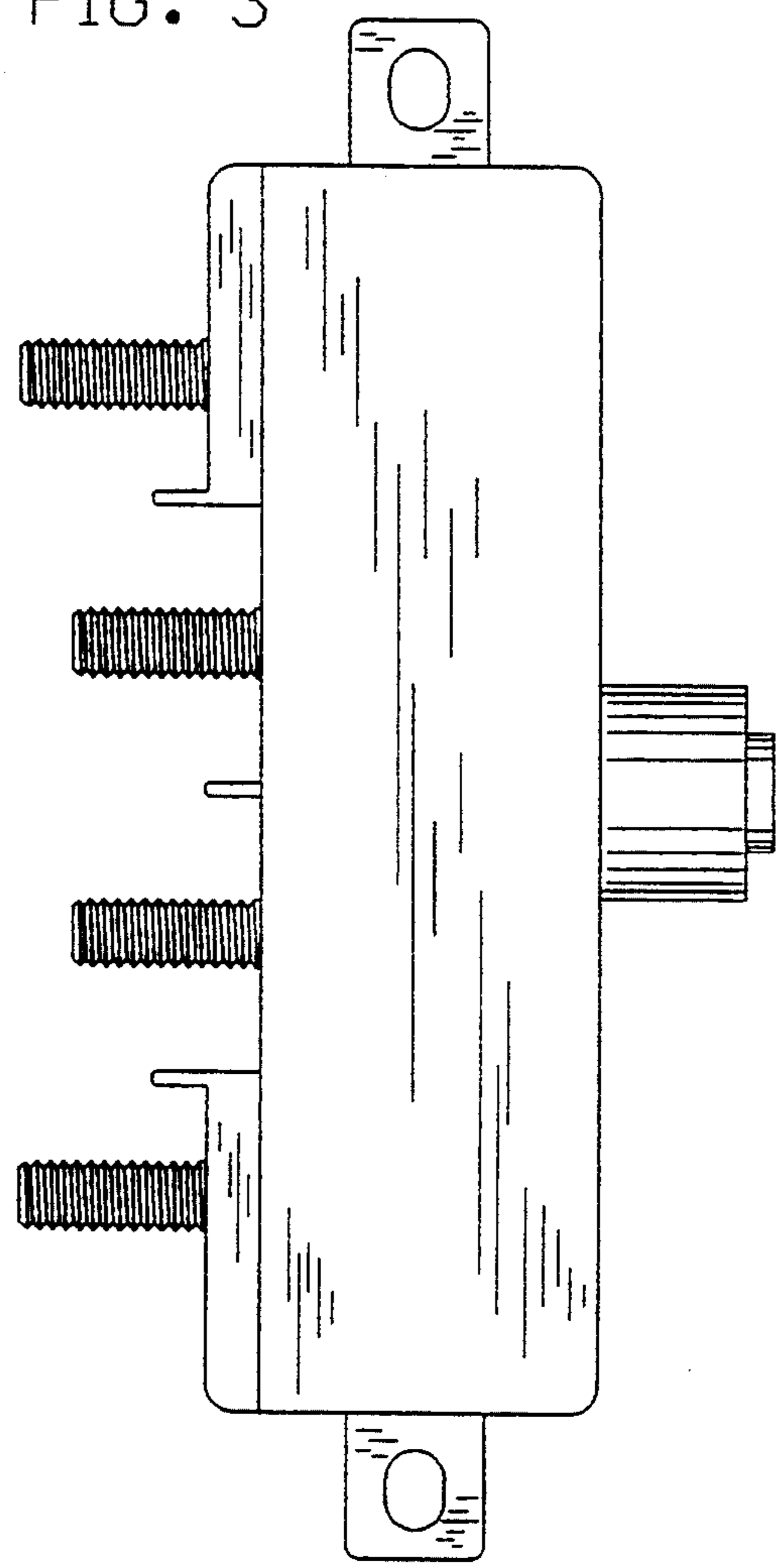


FIG. 6

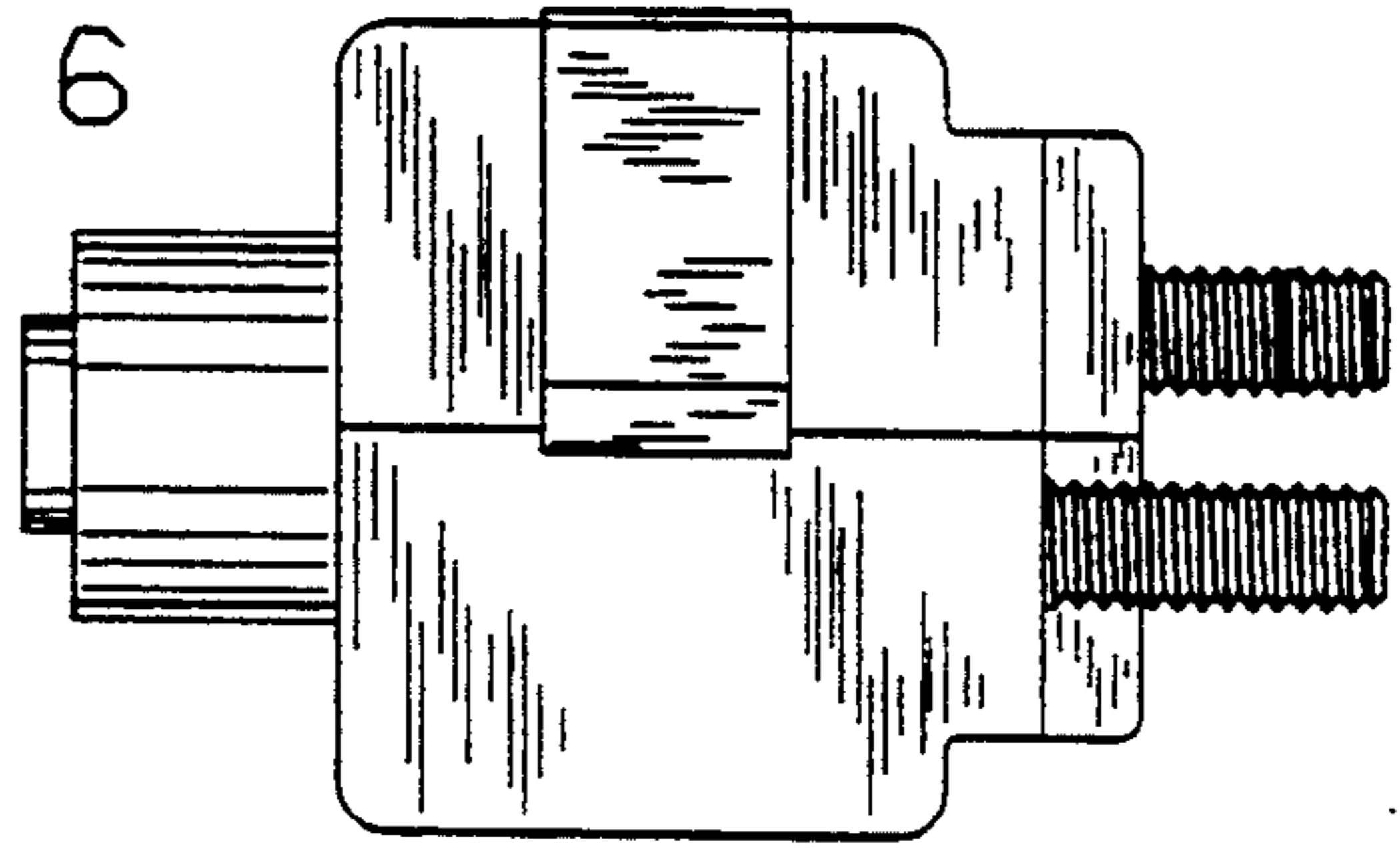


FIG. 4

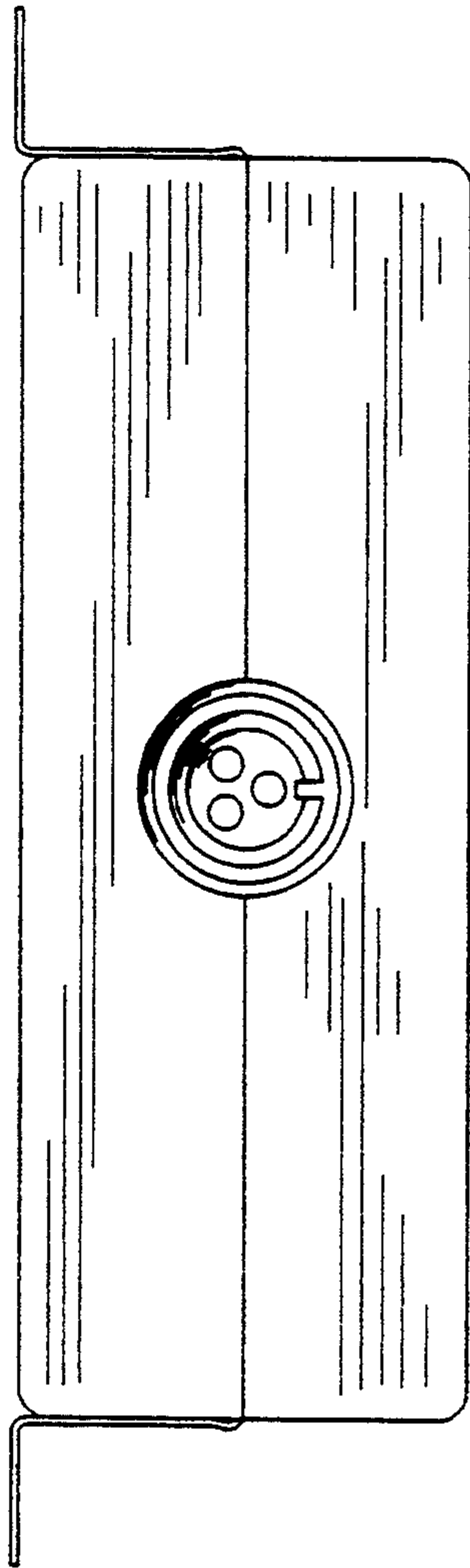


FIG. 5

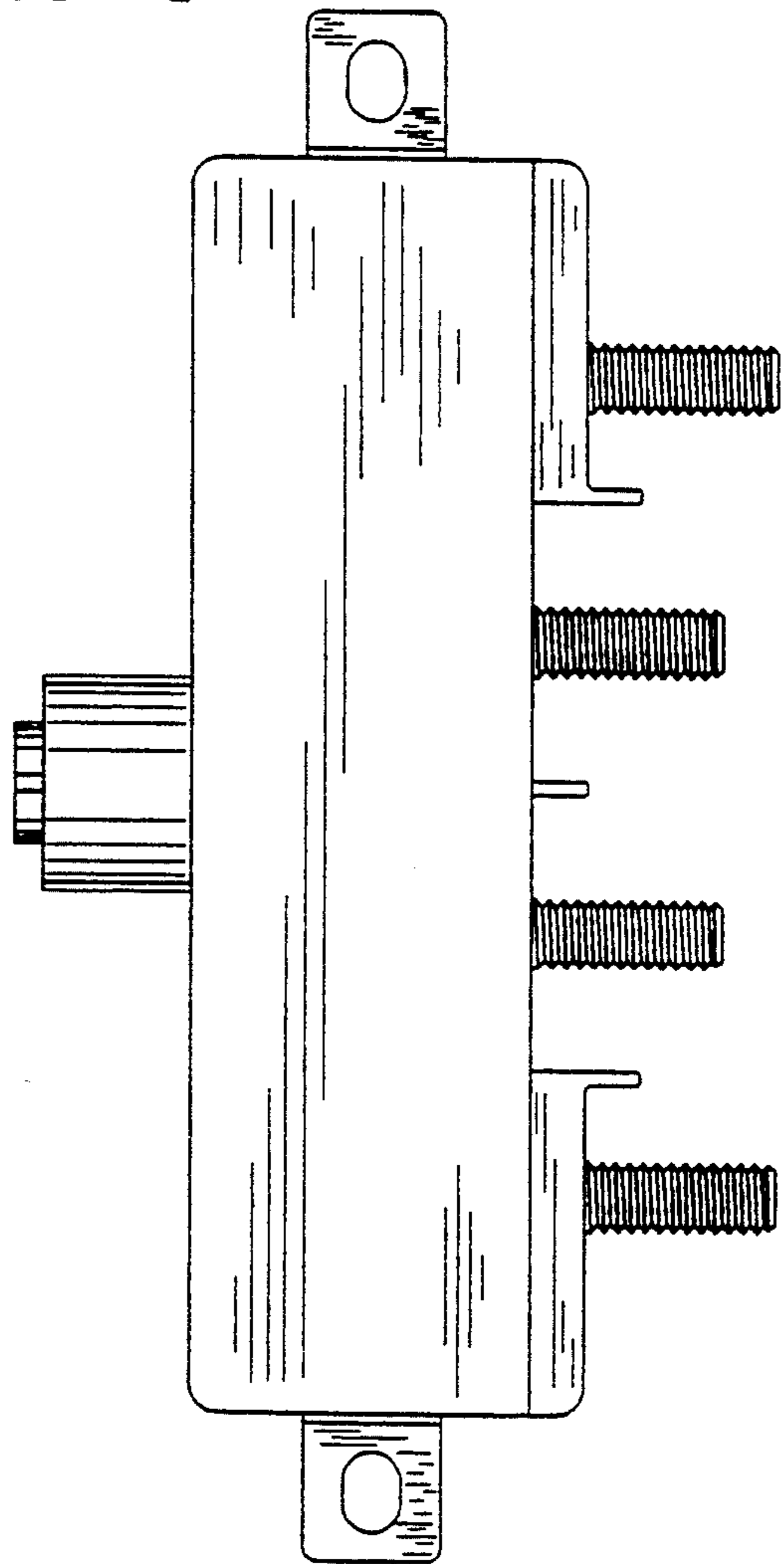


FIG. 7

