



US00D349886S

United States Patent [19]

[11] Patent Number: **Des. 349,886**

Derouiche

[45] Date of Patent: **** Aug. 23, 1994**

[54] **SOCKET FOR MOUNTING A PRINTED CIRCUIT BOARD MODULE**

4,984,996	1/1991	Watanabe et al.	439/326
4,992,850	2/1991	Corbett et al.	357/72
5,015,196	5/1991	Yamada	439/326

[75] Inventor: **Nour E. Derouiche**, Durham, N.C.

[73] Assignee: **Mitsubishi Semiconductor America, Inc.**, Durham, N.C.

[**] Term: **14 Years**

FOREIGN PATENT DOCUMENTS

278675	11/1990	Japan	439/64
403203187	9/1991	Japan	439/499
972455	10/1964	United Kingdom	439/64

[21] Appl. No.: **913,543**

[22] Filed: **Jul. 15, 1992**

[52] U.S. Cl. **D13/147**

[58] Field of Search 439/49, 59, 62, 64, 439/248, 325, 326, 329, 499; 361/752; D13/147, 154, 182

Primary Examiner—Wallace R. Burke
Assistant Examiner—Joel Sincavage
Attorney, Agent, or Firm—Lowe, Price, LeBlanc & Becker

[56] References Cited

U.S. PATENT DOCUMENTS

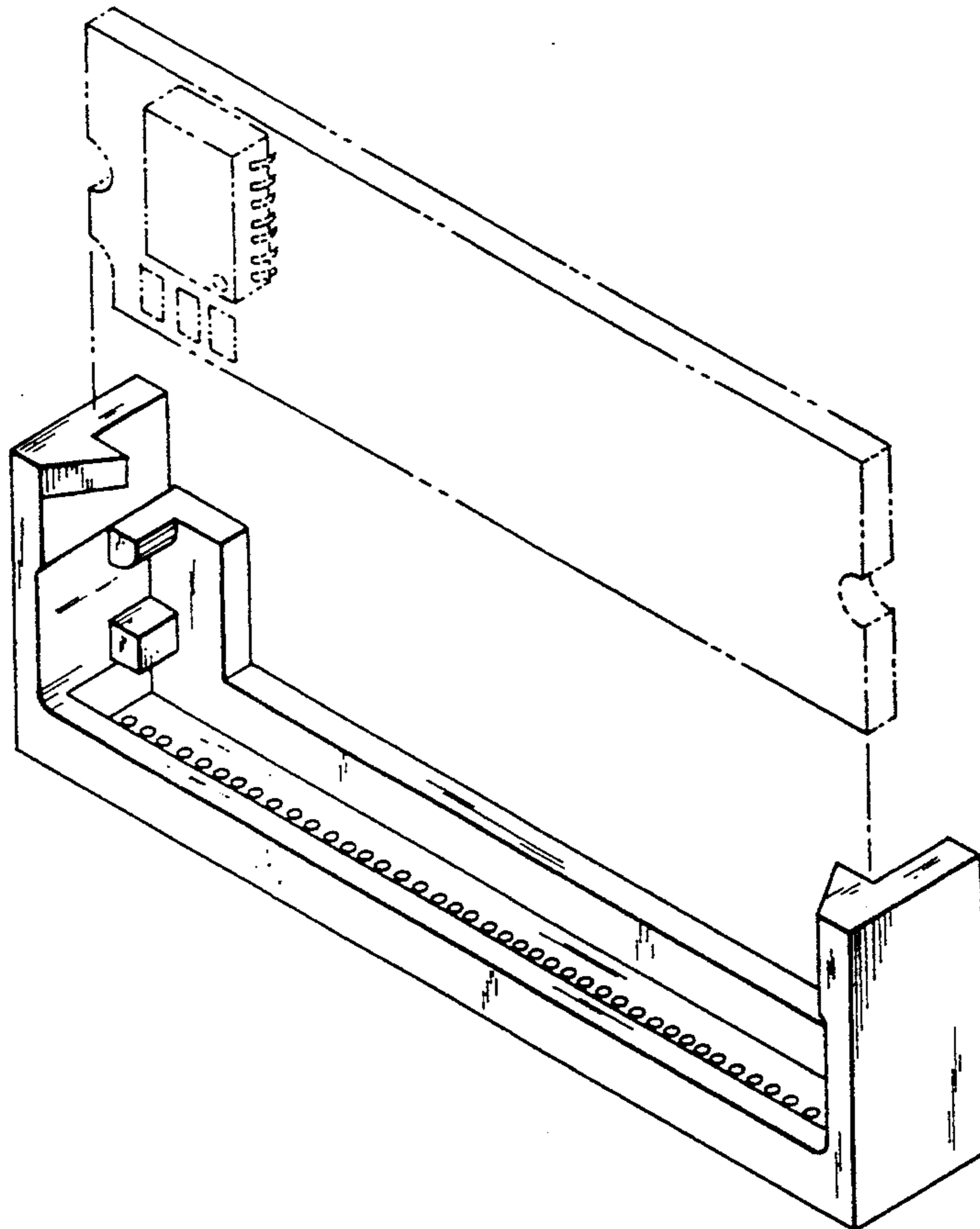
D. 292,699	11/1987	Vinal	D13/147
D. 301,870	6/1989	Shibano	D13/147
D. 323,318	1/1992	Feinstein, Jr. et al.	D13/182
3,663,921	5/1972	Richard	439/62
4,713,013	12/1987	Regnier et al.	439/62
4,737,120	4/1988	Grabbe et al.	439/328 X
4,764,414	8/1988	Beun	361/752 X
4,781,612	11/1988	Thrush	439/328
4,850,891	7/1989	Walkup et al.	439/326
4,850,892	7/1989	Clayton et al.	439/326
4,929,194	5/1990	Korunsky et al.	439/571
4,982,371	1/1991	Bolan et al.	365/228

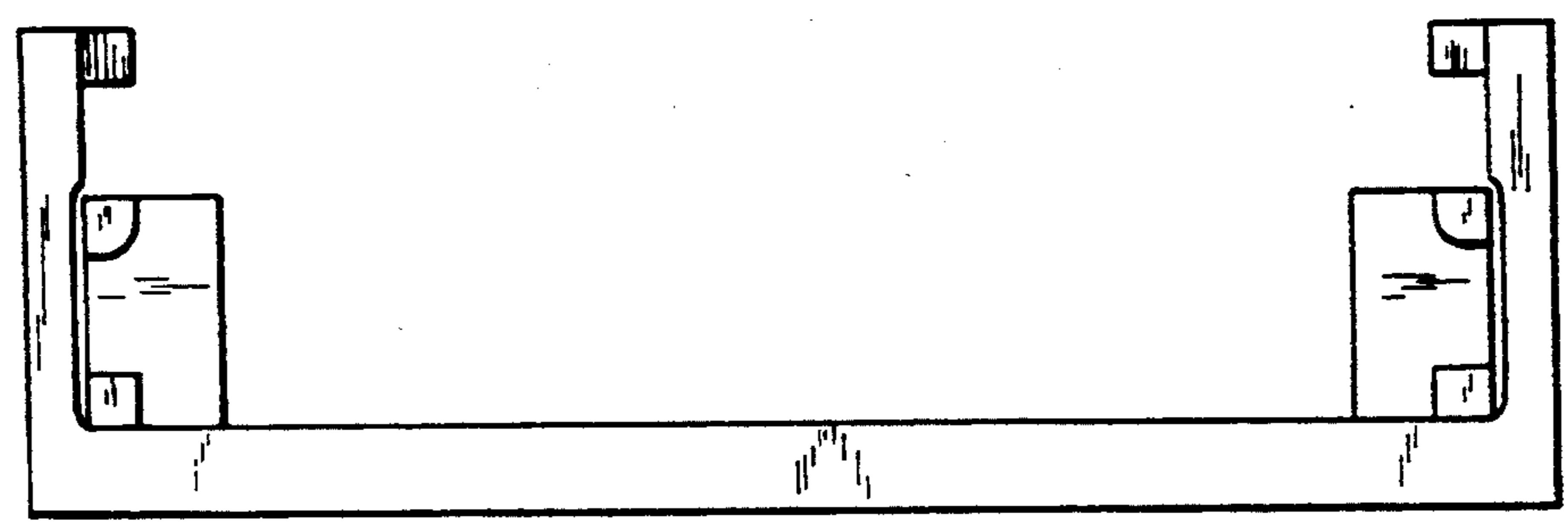
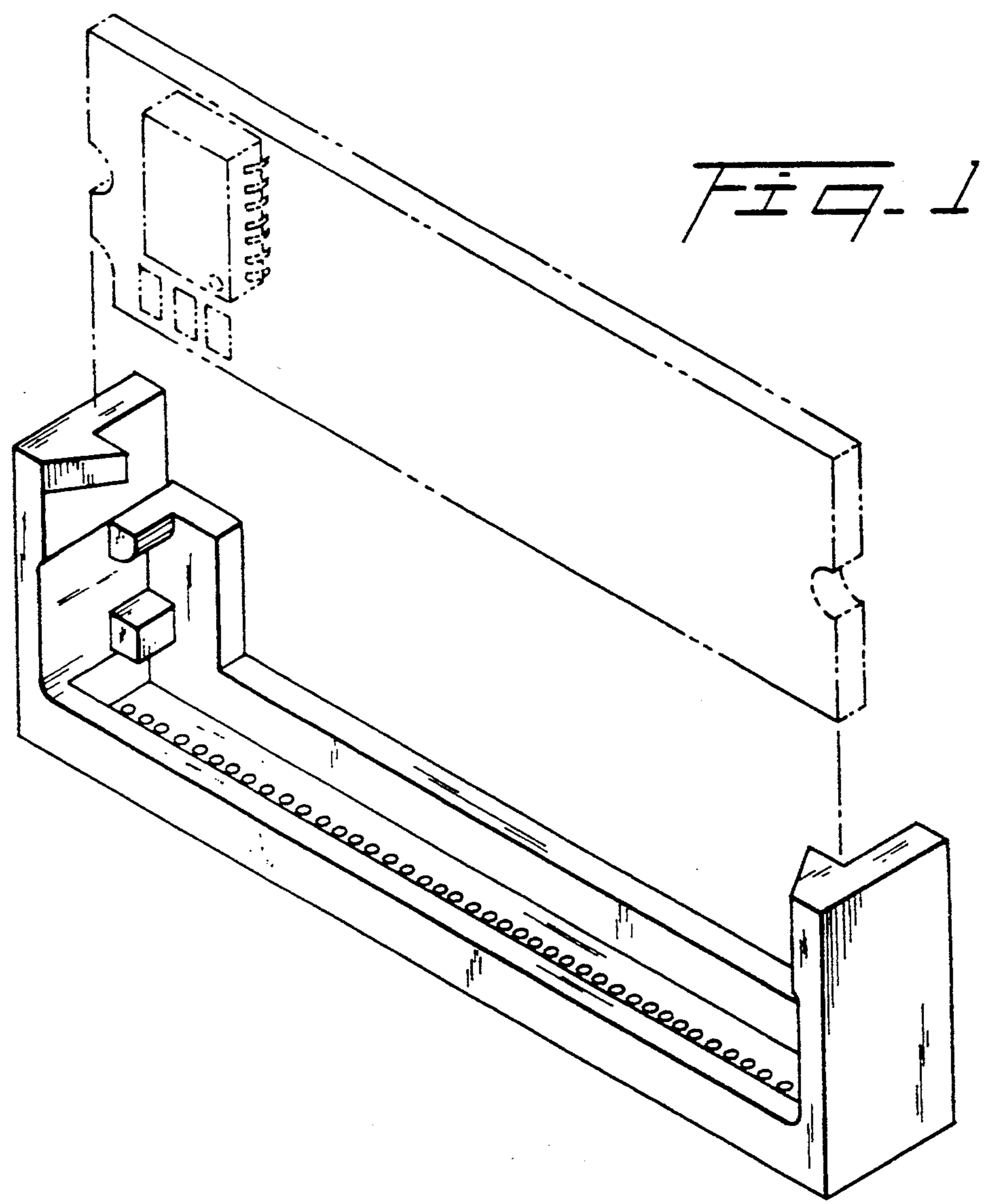
[57] CLAIM

The ornamental design for a socket for mounting a printed circuit board module, as shown and described.

DESCRIPTION

FIG. 1 is a front and upper right perspective of a socket for mounting a printed circuit board module showing my new design. The broken line showing of the module is included for the purpose of illustrating environmental elements only and forms no part of the claimed design; FIG. 2 is a front elevational view thereof; FIG. 3 is a top plan view thereof; FIG. 4 is a bottom plan view thereof; FIG. 5 is a left side elevational view thereof, the right side elevational view thereof being the same; and, FIG. 6 is a rearview thereof.





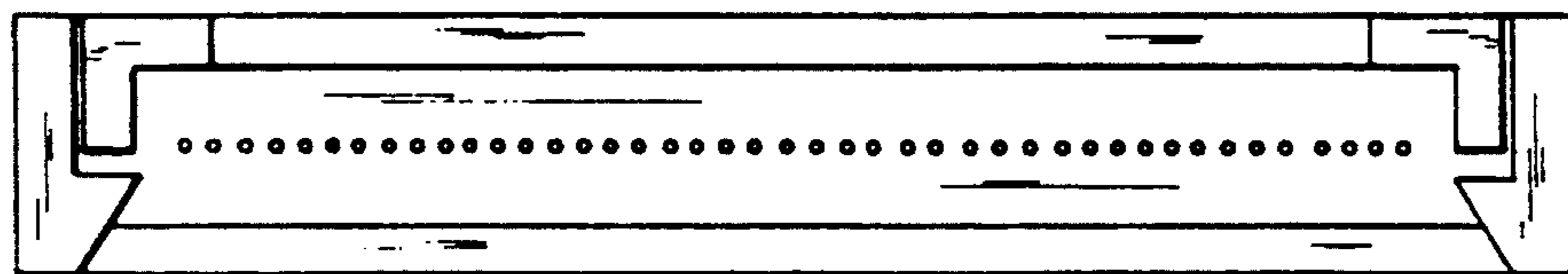


Fig. 3

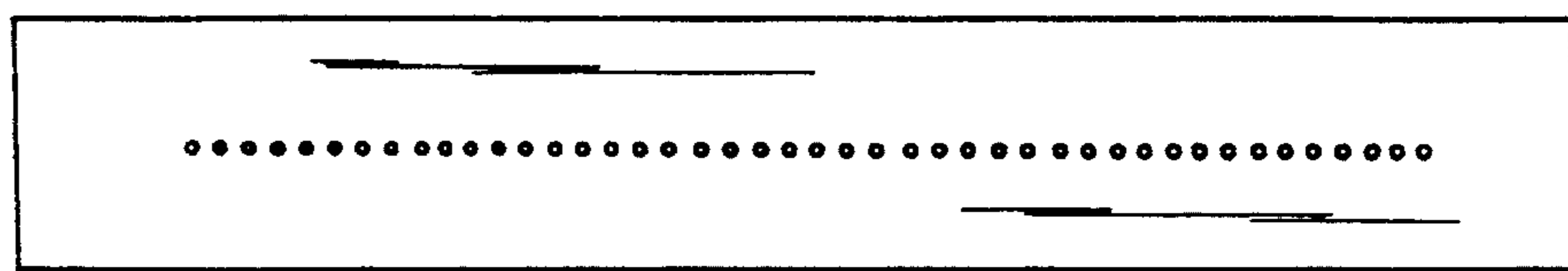


Fig. 4

Fig. 5

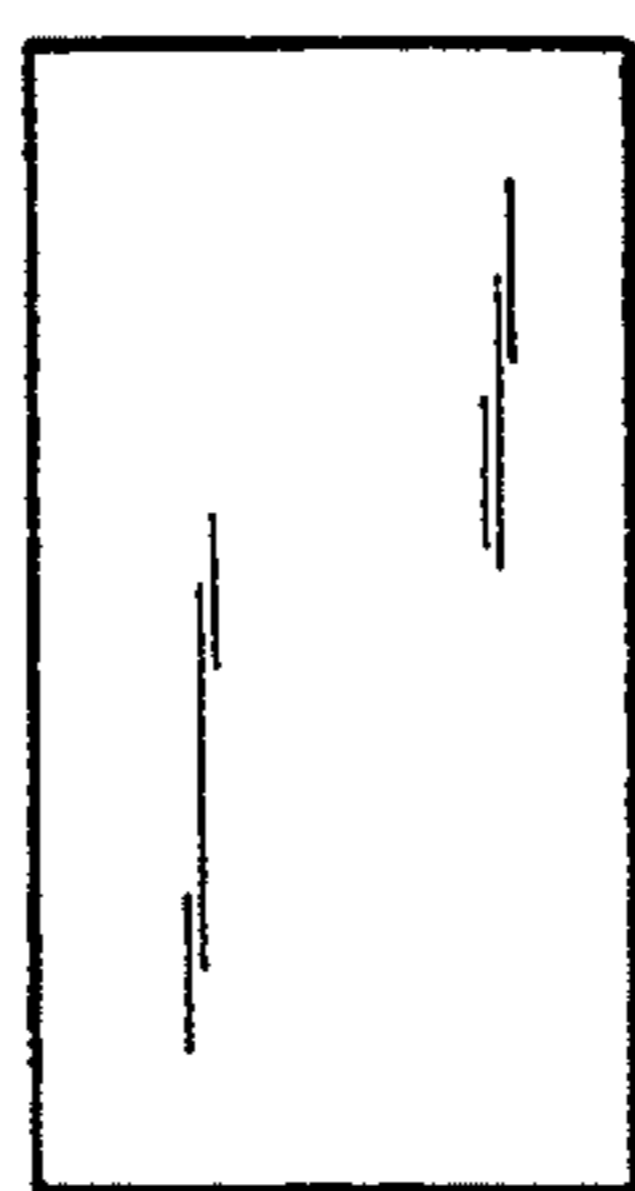


Fig. 6