



US00D349884S

United States Patent [19]

[11] Patent Number: **Des. 349,884**

Iino

[45] Date of Patent: **** Aug. 23, 1994**

[54] **CHARGER FOR ELECTRONIC COMPUTER**

[75] Inventor: **Massaki Iino**, Yokohama, Japan

[73] Assignee: **Kabushiki Kaisha Toshiba**, Kanagawa, Japan

[**] Term: **14 Years**

[21] Appl. No.: **16,268**

[22] Filed: **Dec. 13, 1993**

[30] **Foreign Application Priority Data**

Jun. 25, 1993 [JP] Japan D18995/1993

[52] U.S. Cl. **D13/108**

[58] Field of Search 320/1, 2, 3, 4, 5, 15, 320/21; D13/107, 108, 110, 103

[56] **References Cited**

U.S. PATENT DOCUMENTS

- D. 300,213 3/1989 Tsuji D13/108
- D. 303,245 9/1989 Tsuji D13/108
- D. 329,634 9/1992 Mizusugi et al. D13/103
- D. 333,651 3/1993 Itou et al. D13/108
- D. 335,278 5/1993 Wada D13/107
- D. 339,809 9/1993 Ron D13/108 X
- D. 343,381 1/1994 Inukai et al. D13/107

Primary Examiner—Wallace R. Burke

Assistant Examiner—Joel Sincavage
Attorney, Agent, or Firm—Banner, Birch, McKie & Beckett

[57] **CLAIM**

The ornamental design for a charger for electronic computer, as shown and described.

DESCRIPTION

FIG. 1 is a top, front and right side perspective view of a charger for electronic computer showing my new design;

FIG. 2 is a front elevational view thereof;

FIG. 3 is a rear elevational view thereof;

FIG. 4 is a left side elevational view thereof;

FIG. 5 is a right side elevational view thereof;

FIG. 6 is a top plan view thereof;

FIG. 7 is a bottom plan view thereof;

FIG. 8 is a top, front and right side perspective view thereof showing fixing hook in extruded position; and,

FIG. 9 is a top, rear and right side perspective view thereof shown attached to an electronic computer with a diode pen in the inserted position.

The broken line showing of the computer and the diode pen is included for the purpose of illustrating environmental structure only and forms no part of the claimed design.

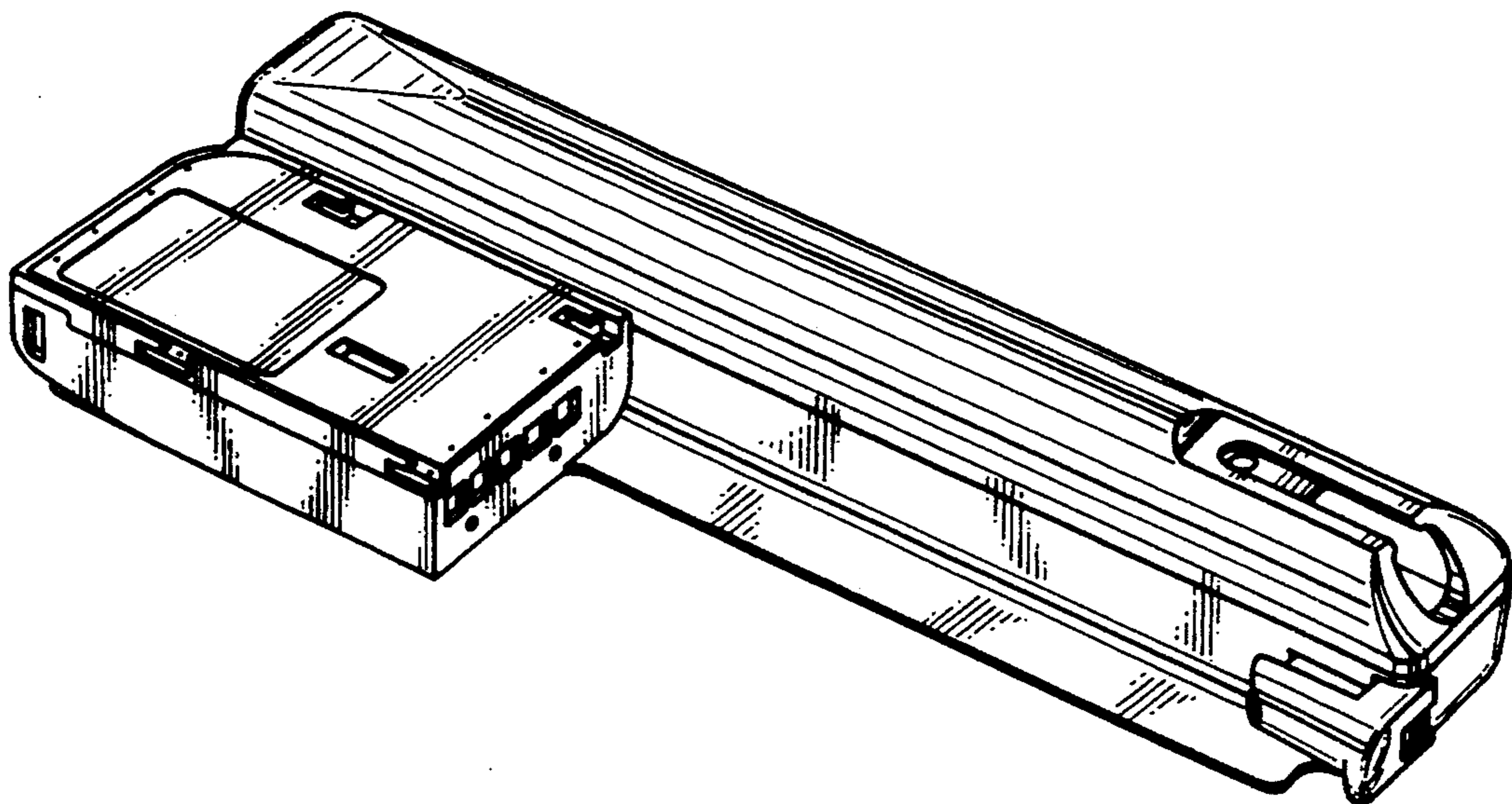


FIG.1

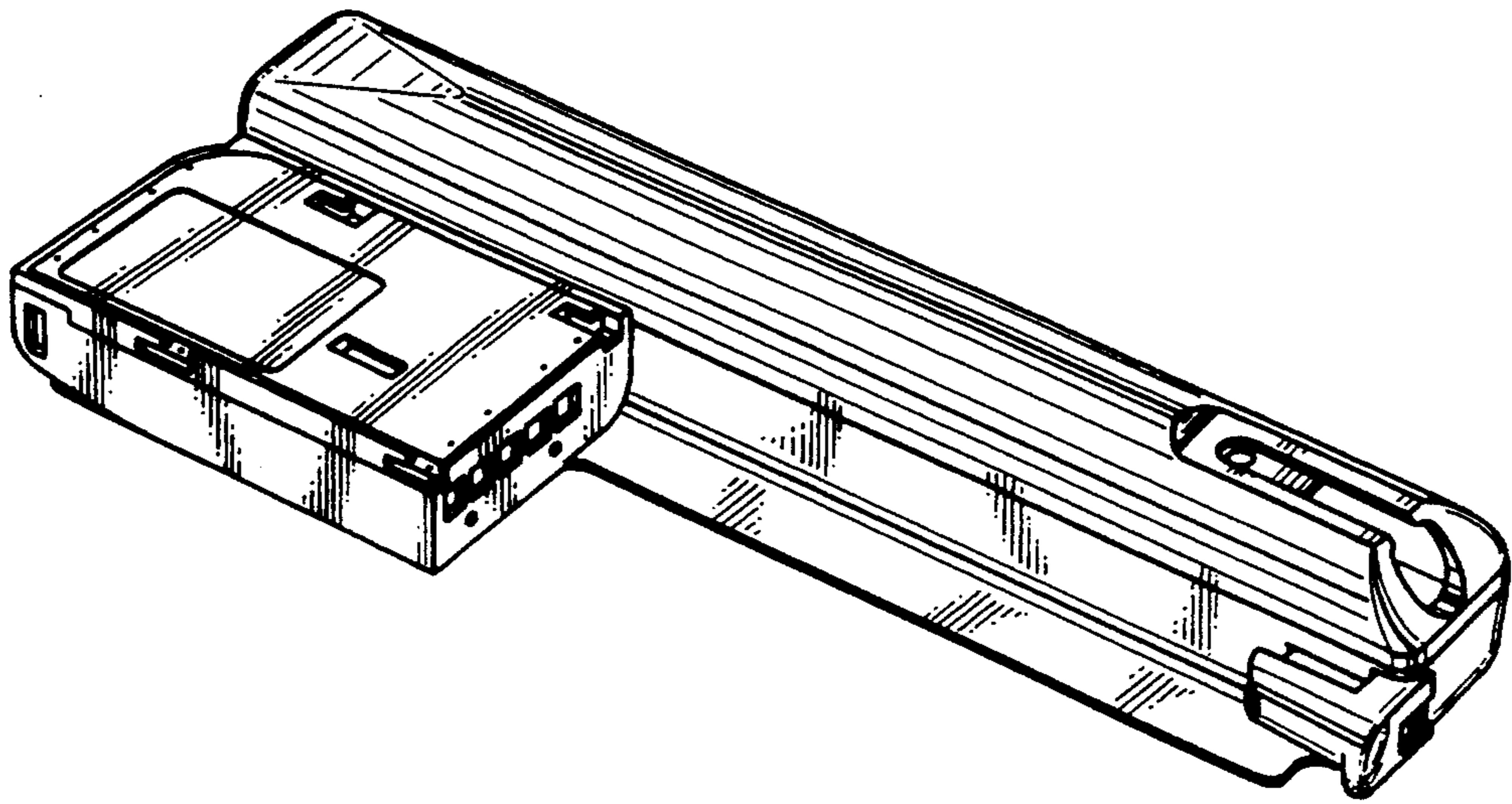


FIG.2

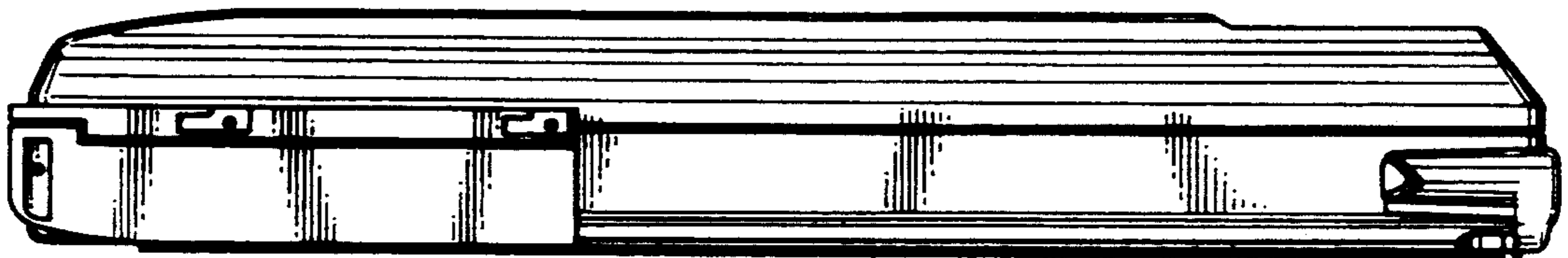


FIG.3

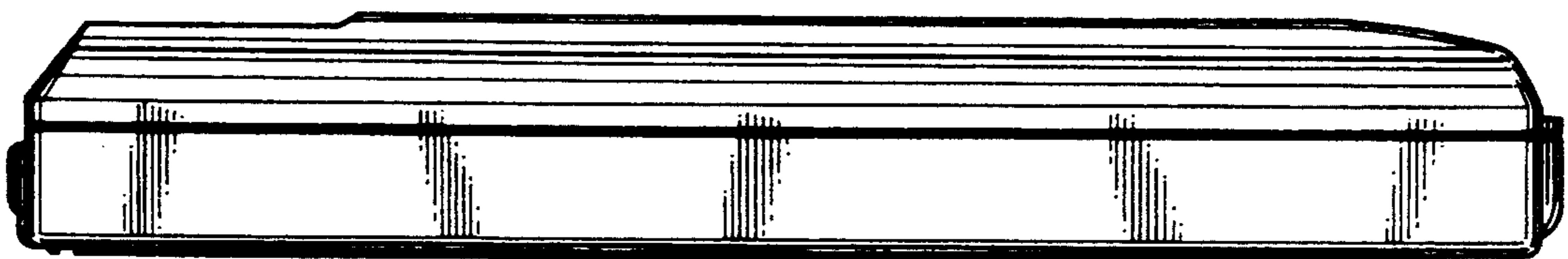


FIG.4

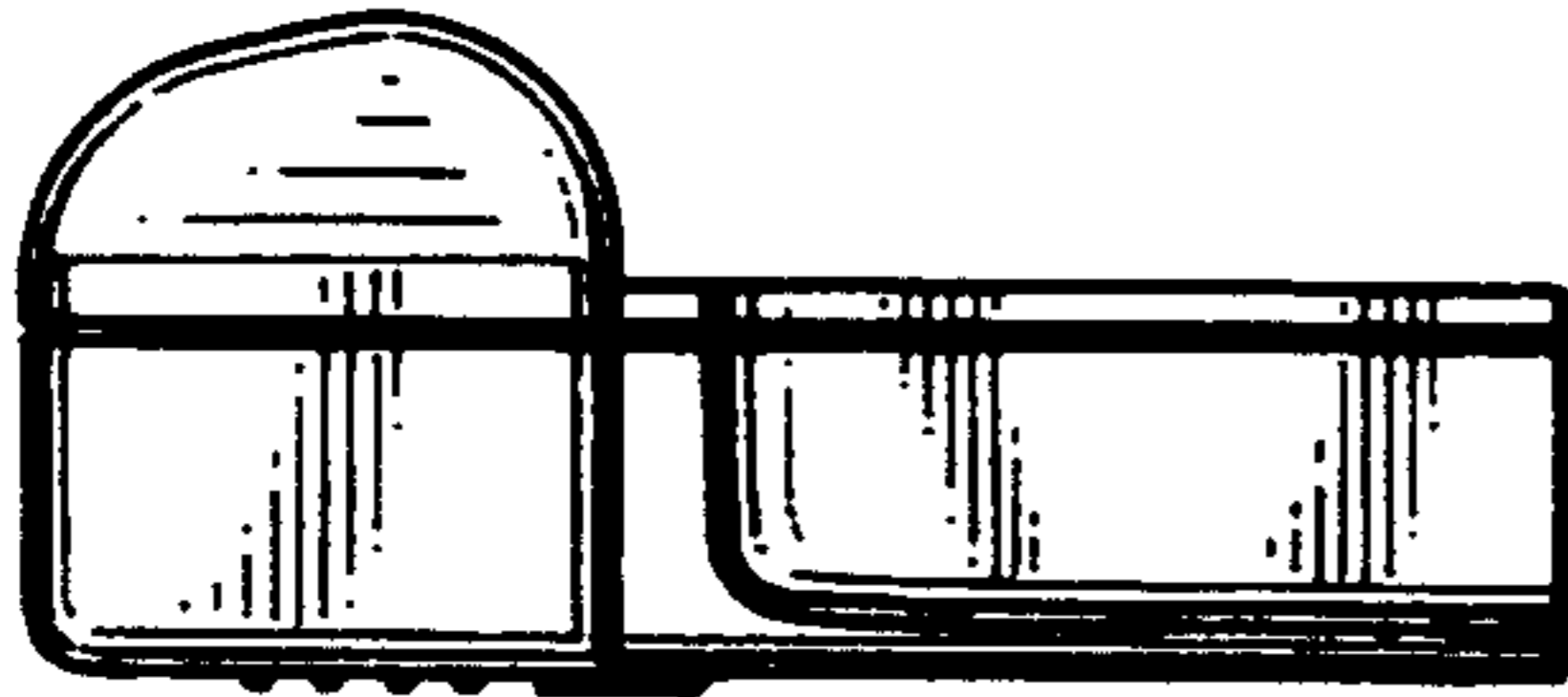


FIG.5

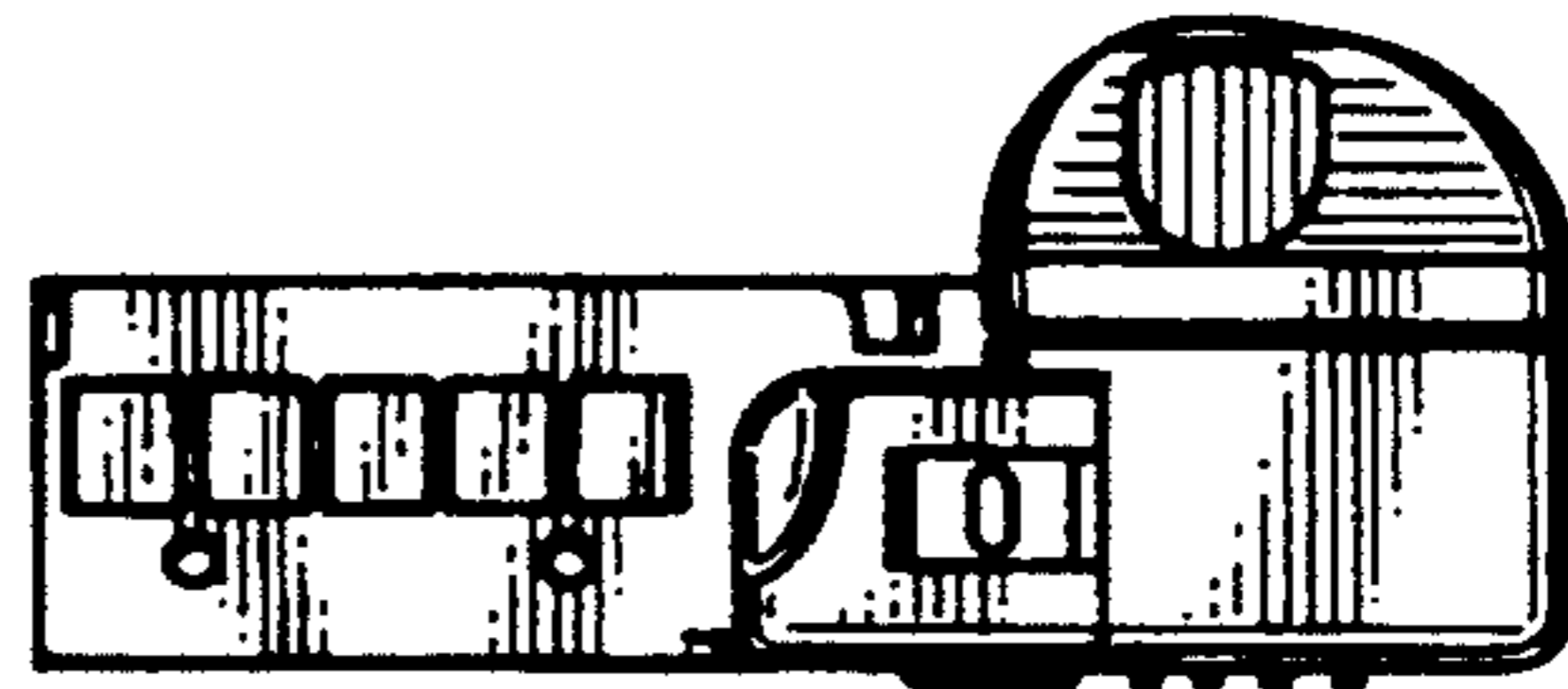


FIG.6

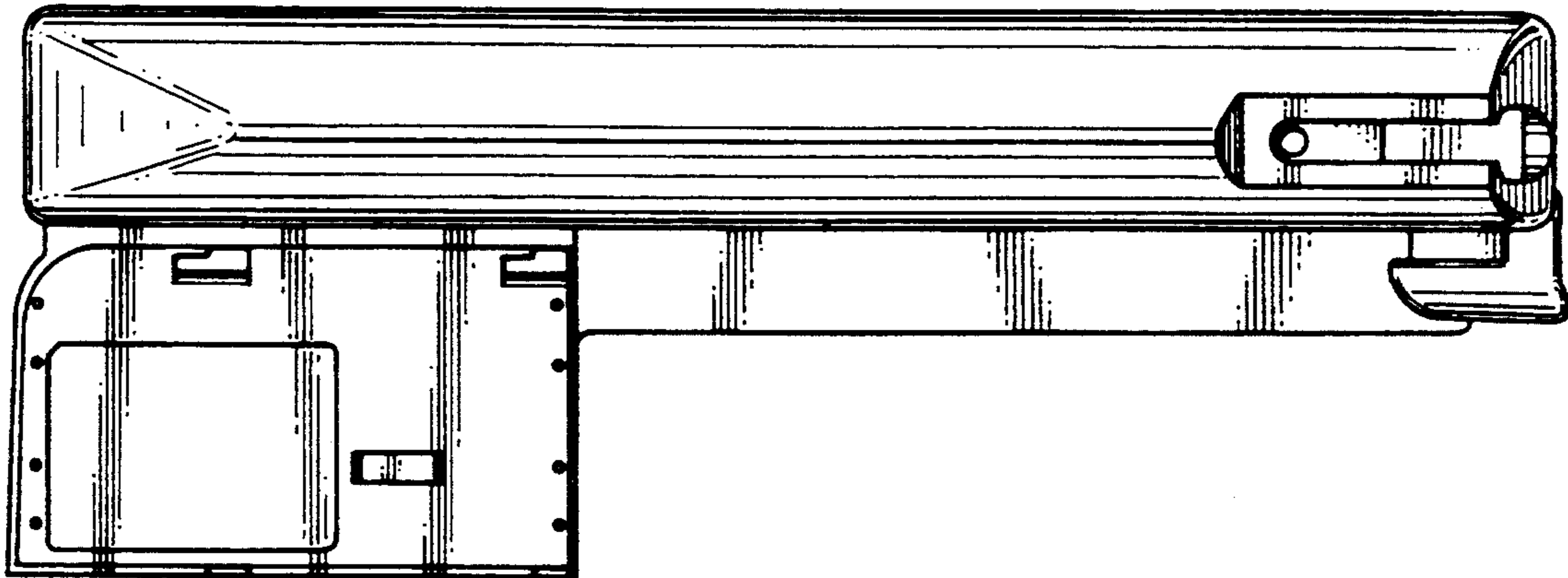


FIG.7

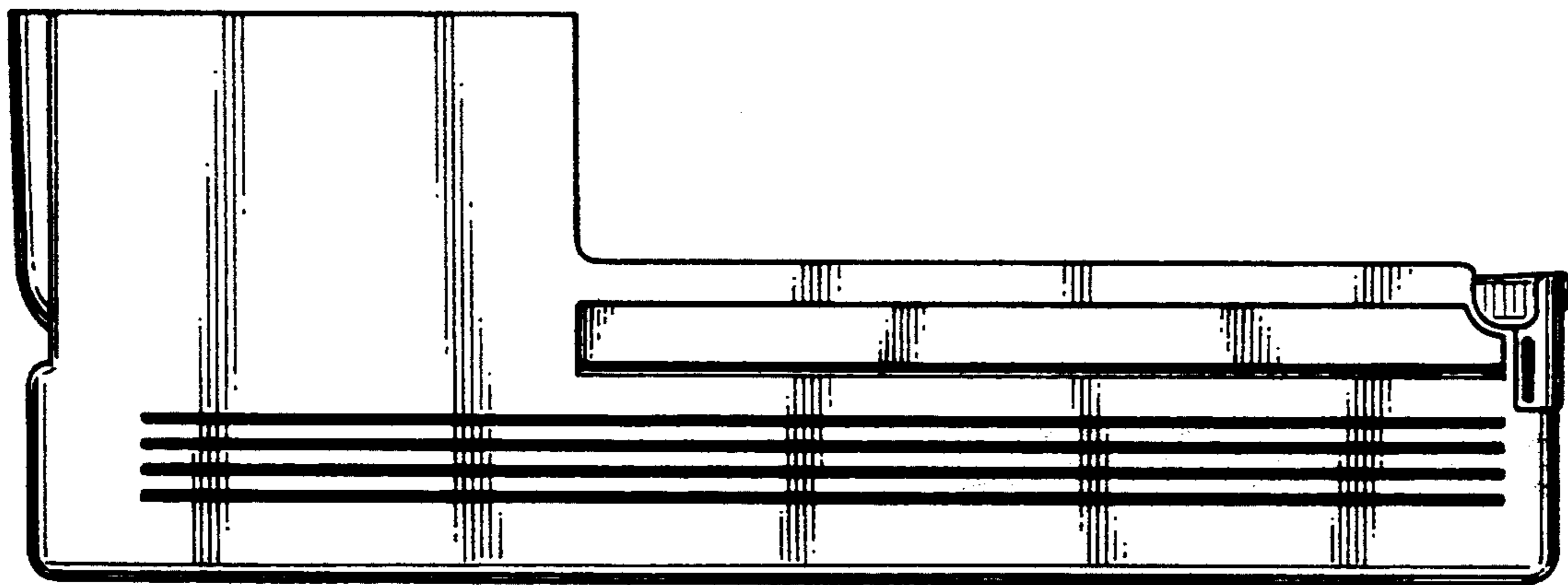


FIG.8

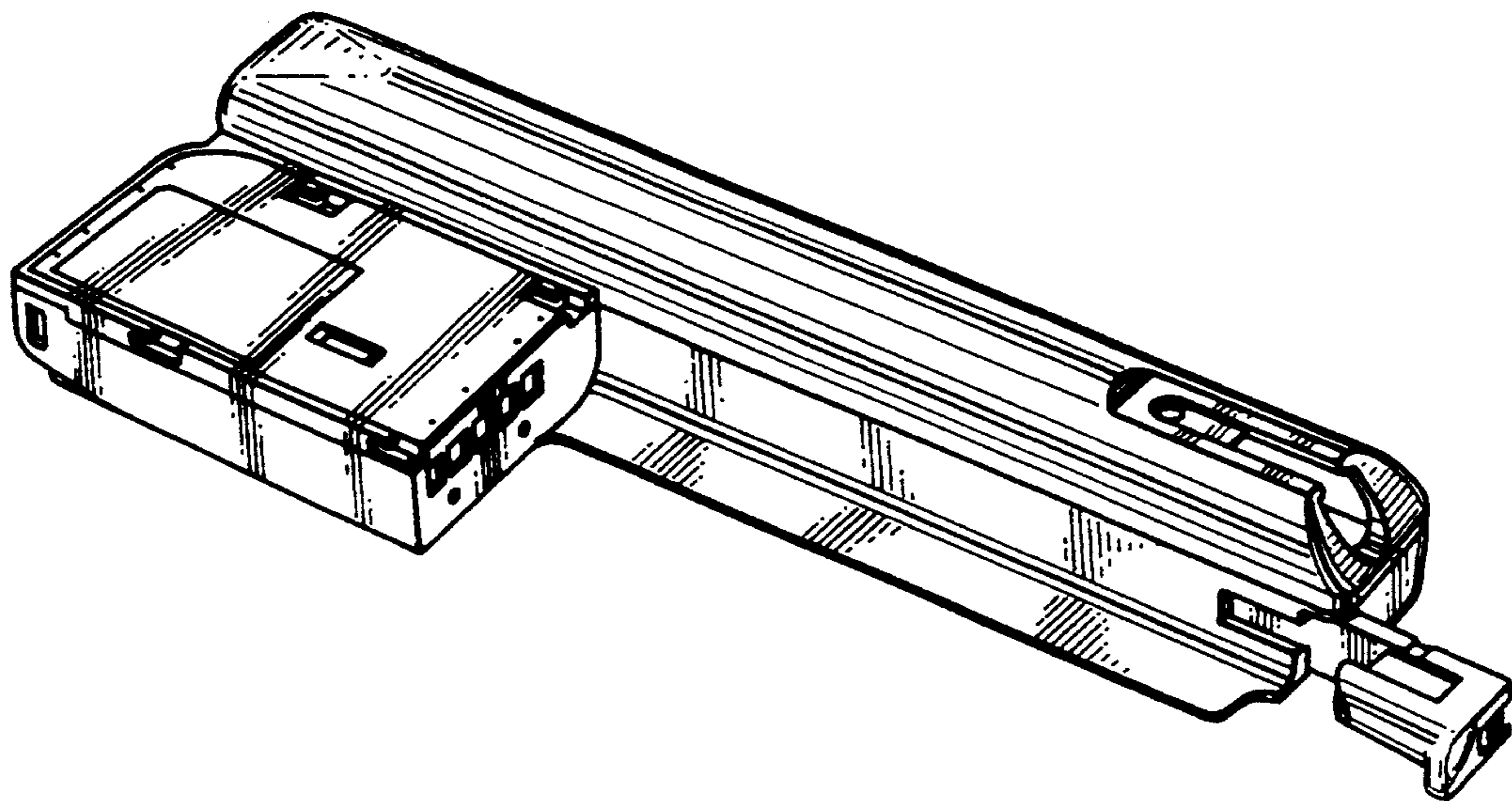


FIG.9

