



US00D349883S

# United States Patent [19]

[11] Patent Number: **Des. 349,883**

Gallagher et al.

[45] Date of Patent: **\*\* Aug. 23, 1994**

[54] **BATTERY CHARGER WITH MEANS FOR SUPPORTING DUAL BATTERY PACKS AND TOOL**

72063, 72069, 92900, 92010, 92901, 92201, 92905, 92903, 92010 and 92020.

[75] Inventors: **P. Sean Gallagher**, Park Forest;  
**William H. Schultz**, Northbrook,  
both of Ill.

*Primary Examiner*—Wallace R. Burke  
*Assistant Examiner*—Joel Sincavage  
*Attorney, Agent, or Firm*—Jones, Day, Reavis & Pogue

[73] Assignee: **Skil and S-B Power Tool Company**,  
Chicago, Ill.

[57] **CLAIM**

[\*\*] Term: **14 Years**

The ornamental design for a battery charger with means for supporting dual battery pack and tool, as shown and described.

[21] Appl. No.: **743,564**

**DESCRIPTION**

[22] Filed: **Aug. 9, 1991**

[52] U.S. Cl. .... **D13/108**

[58] Field of Search ..... 320/2, 3, 4, 15;  
D13/107, 108; D14/240

FIG. 1 is a front view of the battery charger with means for supporting dual battery packs and tool;  
FIG. 2 is a back view of the battery charger with means for supporting dual battery packs and tool;  
FIG. 3 is a right side view of the battery charger with means for supporting dual battery packs and tool;  
FIG. 4 is a left side view of the battery charger with means for supporting dual battery packs and tool;  
FIG. 5 is a top view of the battery charger with means for supporting dual battery packs and tool;  
FIG. 6 is a bottom view of the battery charger with means for supporting dual battery packs and tool; and,  
FIG. 7 is a perspective view of the battery charger with means for supporting dual battery packs and tool.

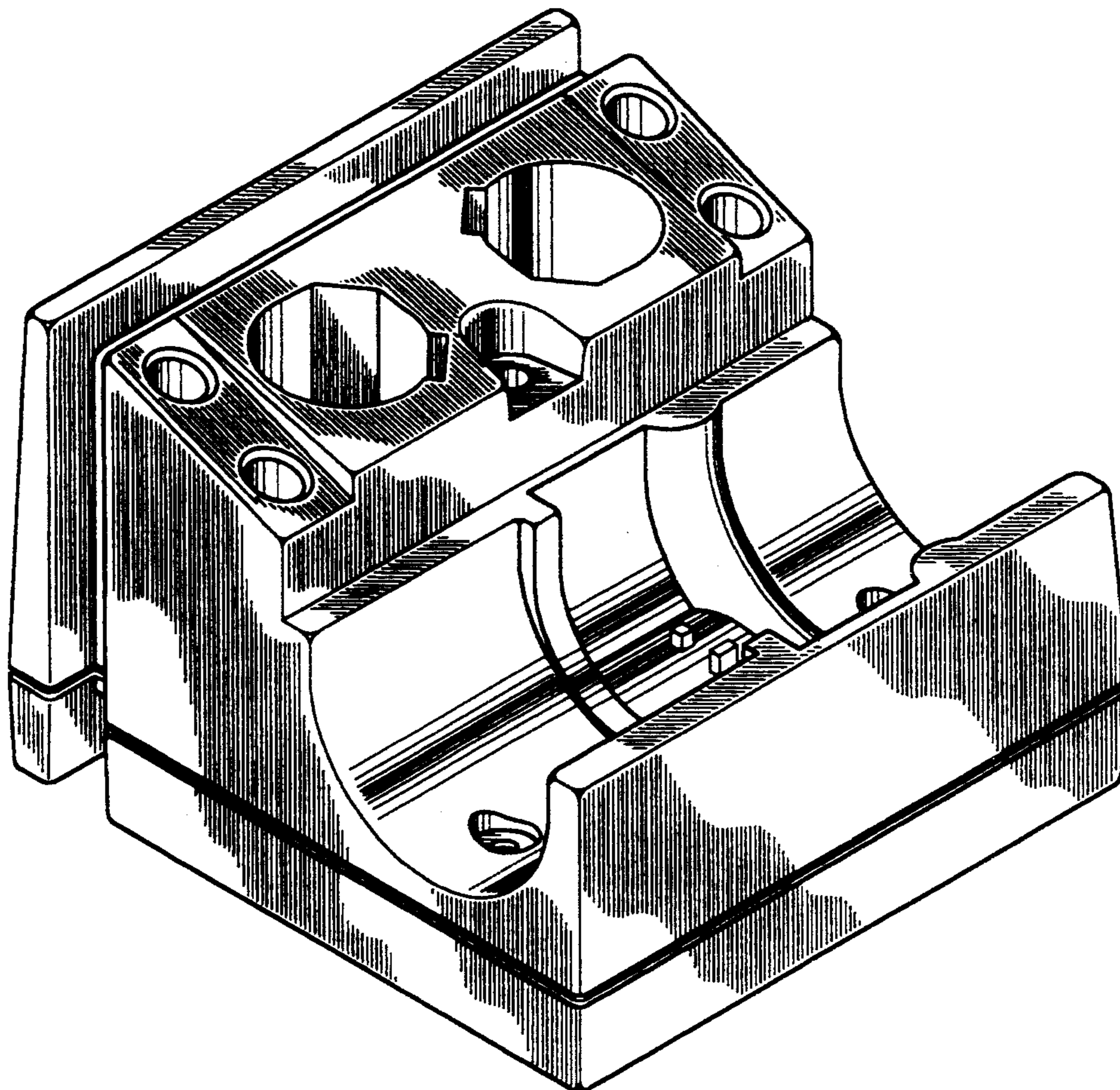
[56] **References Cited**

**U.S. PATENT DOCUMENTS**

D. 301,455 6/1989 Hotsumi et al. .... D13/108  
4,829,226 5/1989 Nakamura et al. .... D13/107 X

**OTHER PUBLICATIONS**

Skill Charging Stands Nos. 72065, 72066, 72067, 72068,



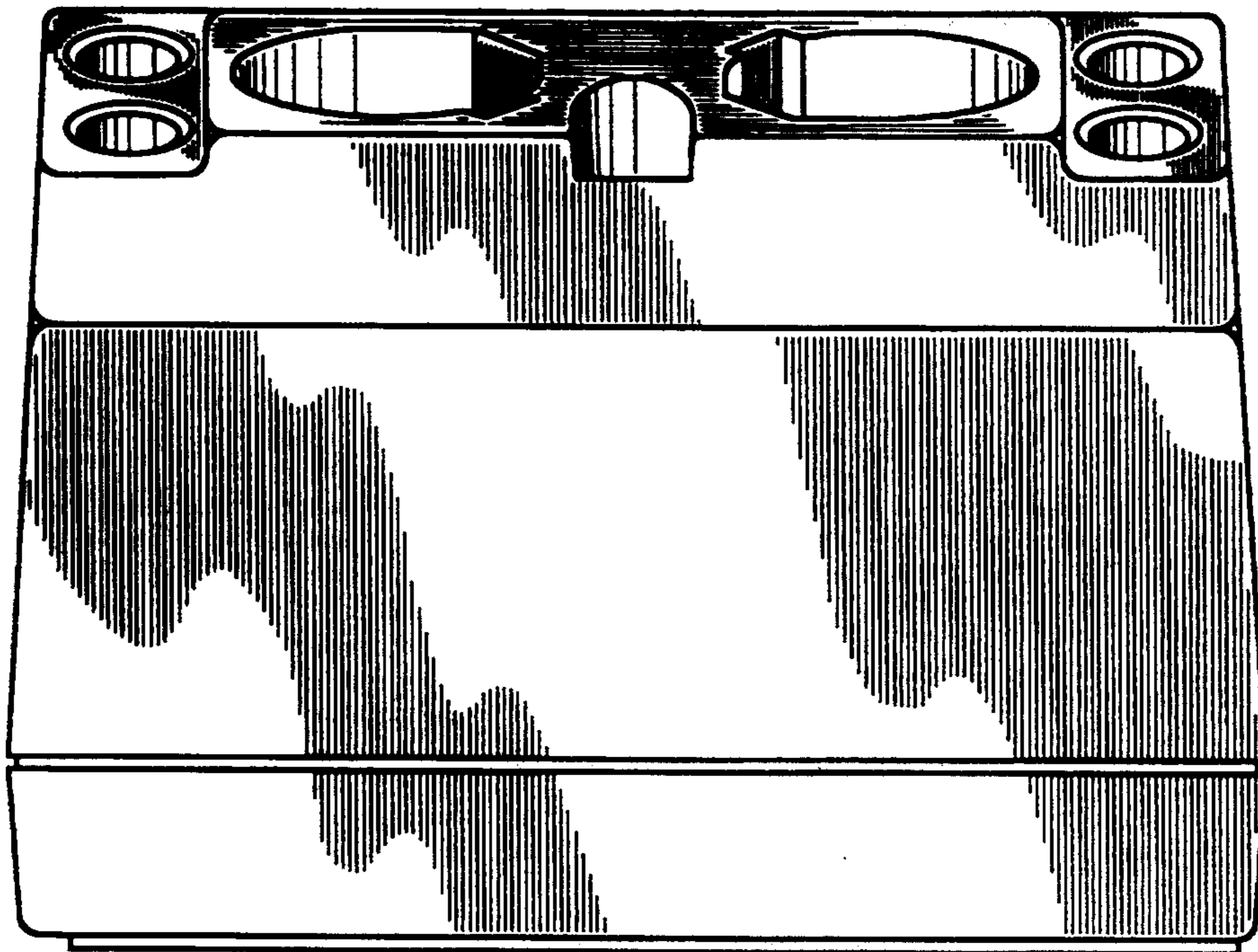


Fig.1

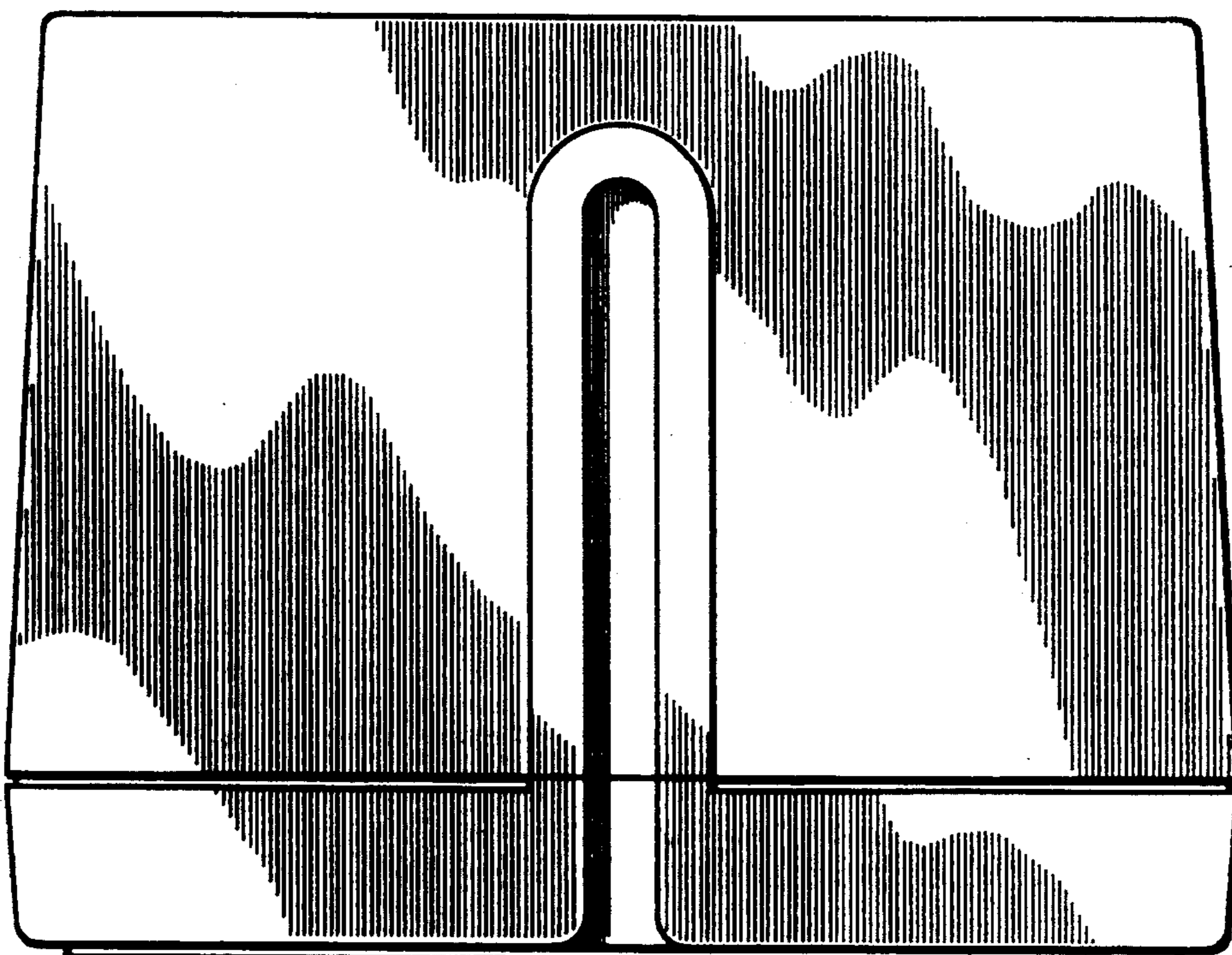


Fig.2

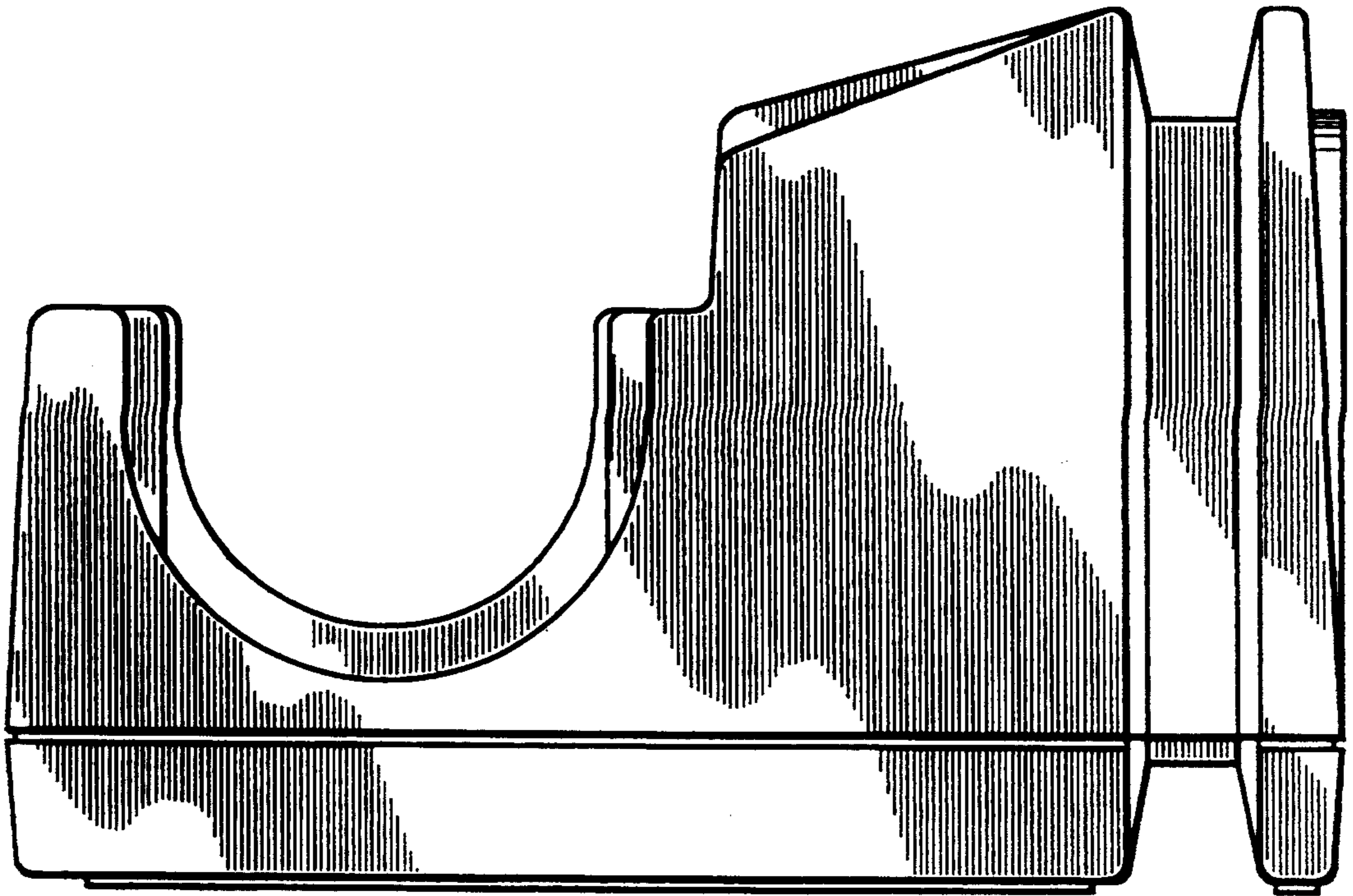


Fig.3

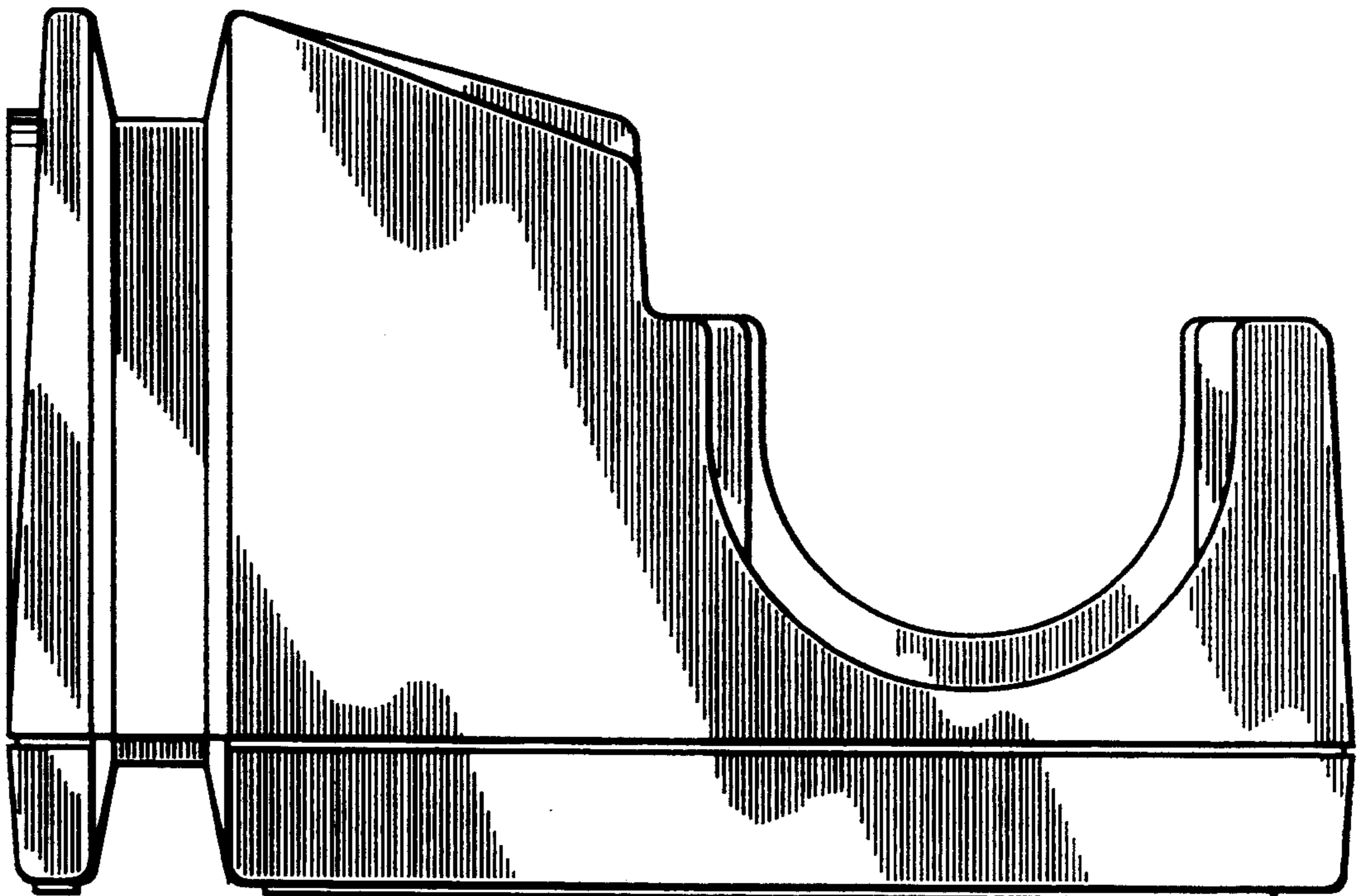


Fig.4

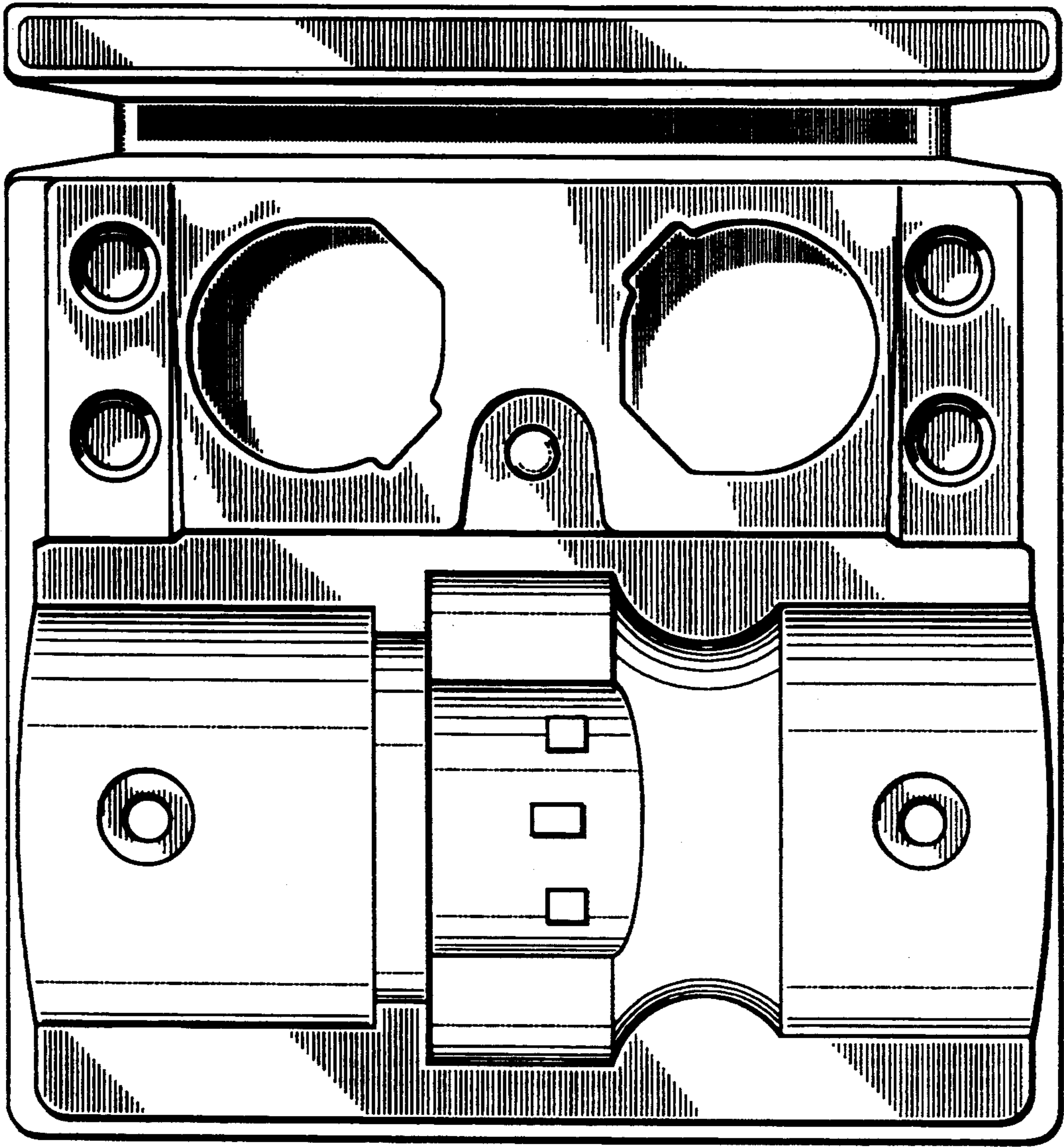


Fig.5

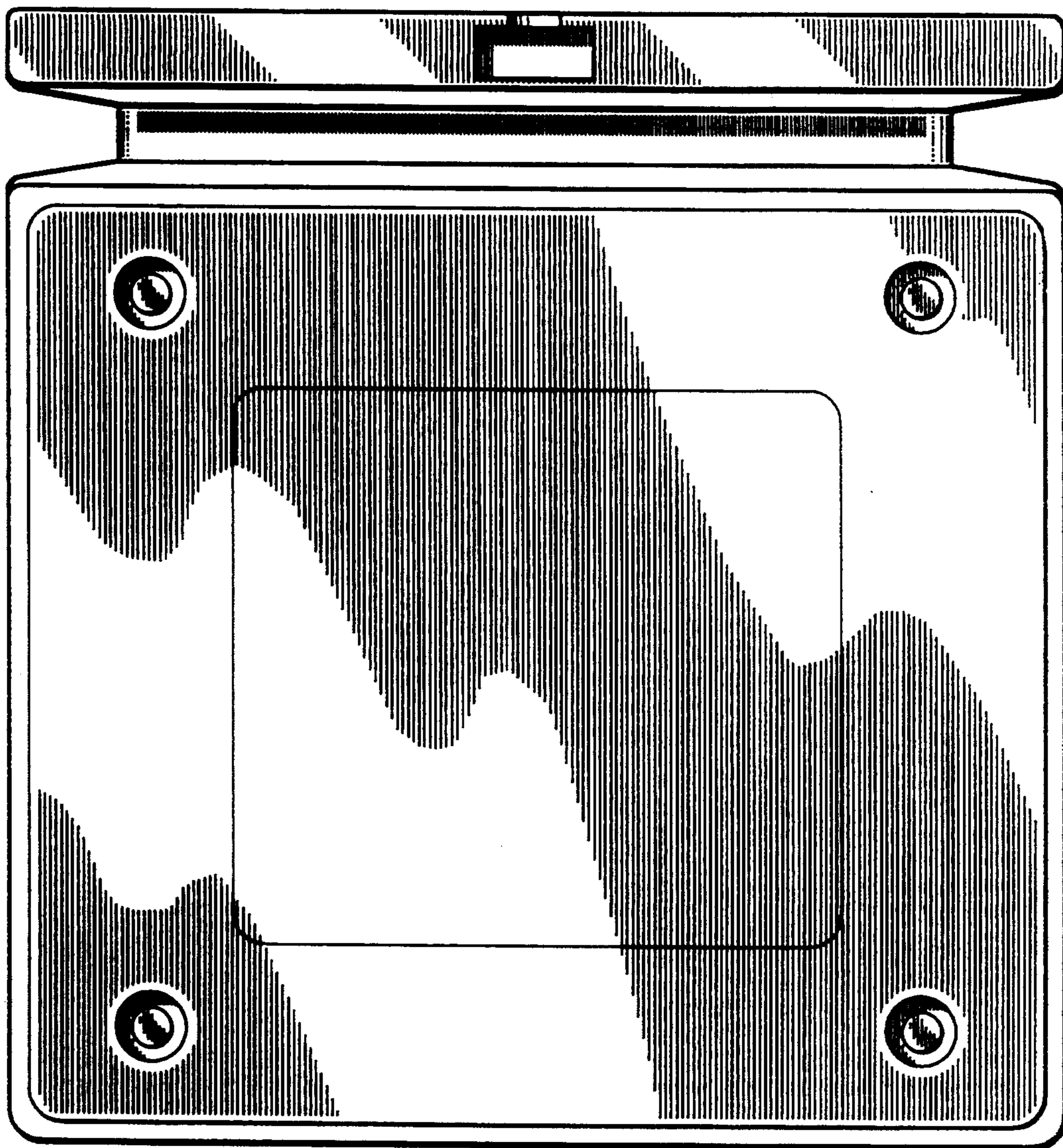


Fig.6

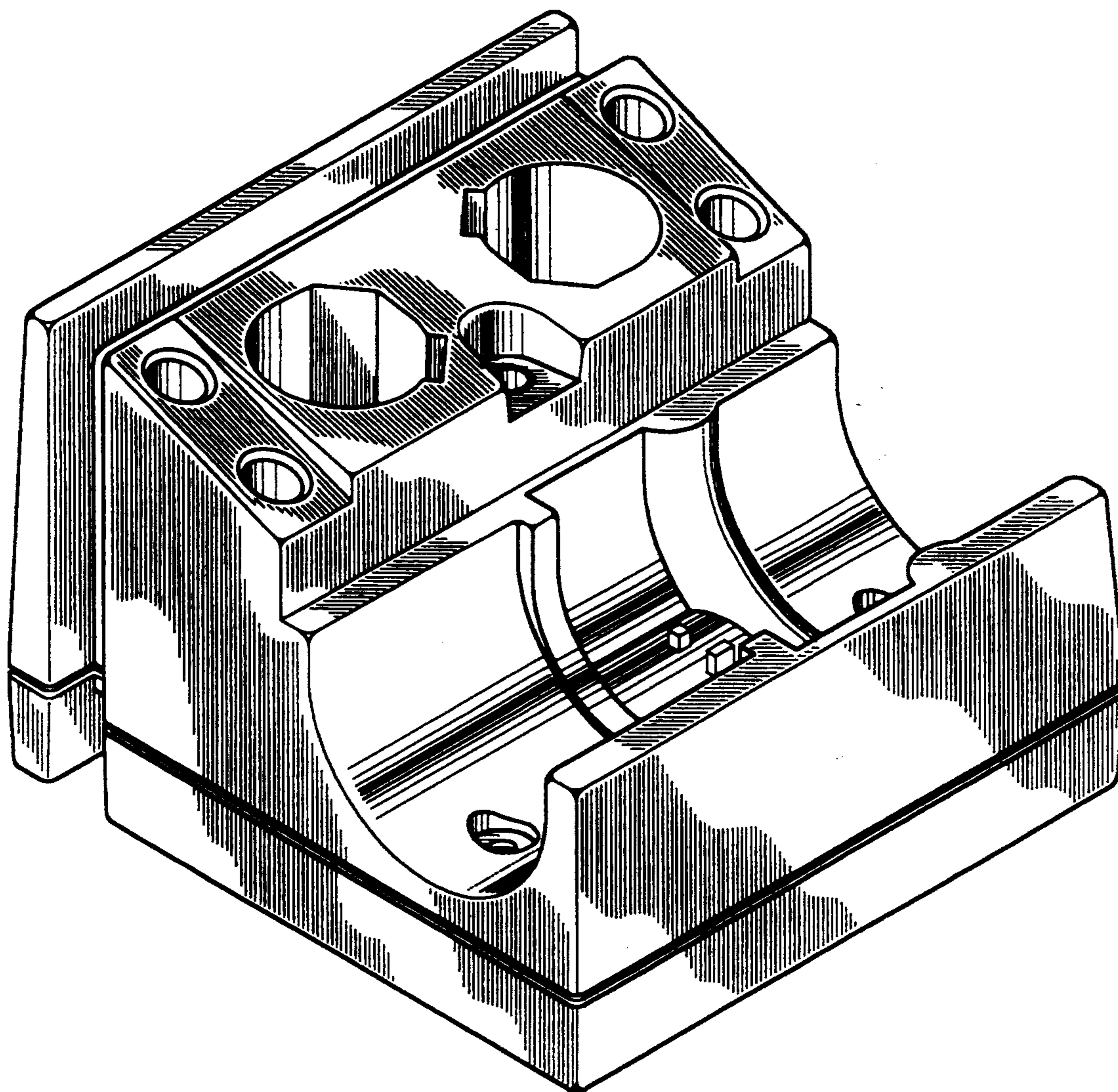


Fig.7