



US00D349881S

United States Patent [19]
Hilliard

[11] **Patent Number: Des. 349,881**

[45] **Date of Patent: ** Aug. 23, 1994**

[54] **ABOVE-WATER PORTION OF A BOAT**

[75] **Inventor: Gary Hilliard, Tequesta, Fla.**

[73] **Assignee: Spencer Boat Company, West Palm Beach, Fla.**

[**] **Term: 14 Years**

[21] **Appl. No.: 954,925**

[22] **Filed: Sep. 30, 1992**

[52] **U.S. Cl. D12/318; D12/315**

[58] **Field of Search 114/355, 56; D12/300-319**

“Rybo Reflections” Newsletter, Rybovich & Sons Boatworks, Fall 1983, title page.

Boating Magazine, Mar. 1987, title page.

“Rybovich” Newsletter, Rybovich Boatworks, Fall 1986, pp. 1-2.

Primary Examiner—Kay H. Chin

Attorney, Agent, or Firm—Quarles & Brady

[57] **CLAIM**

The ornamental design for a above-water portion of a boat, as shown and described.

DESCRIPTION

FIG. 1 is a side elevation view of a above-water portion of a boat showing my new design, the reverse side being a mirror image thereof;

FIG. 2 is a front elevation view thereof;

FIG. 3 is a back elevation view thereof; and,

FIG. 4 is a perspective view taken from above and the rear left.

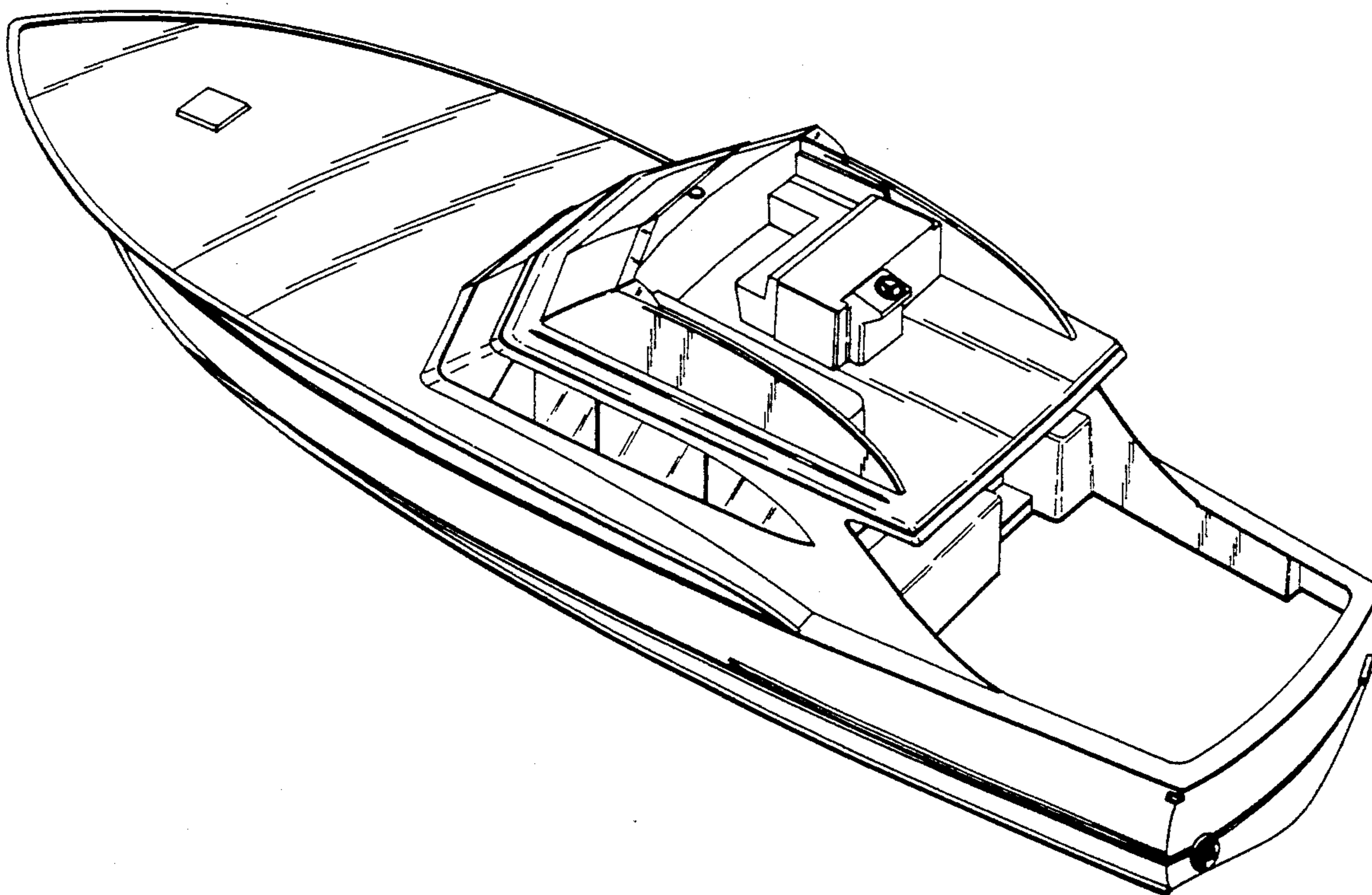
[56] **References Cited**

U.S. PATENT DOCUMENTS

D. 205,019 6/1966 Heintze D12/318

OTHER PUBLICATIONS

Motor Boat Magazine, Jul. 1979, title page.



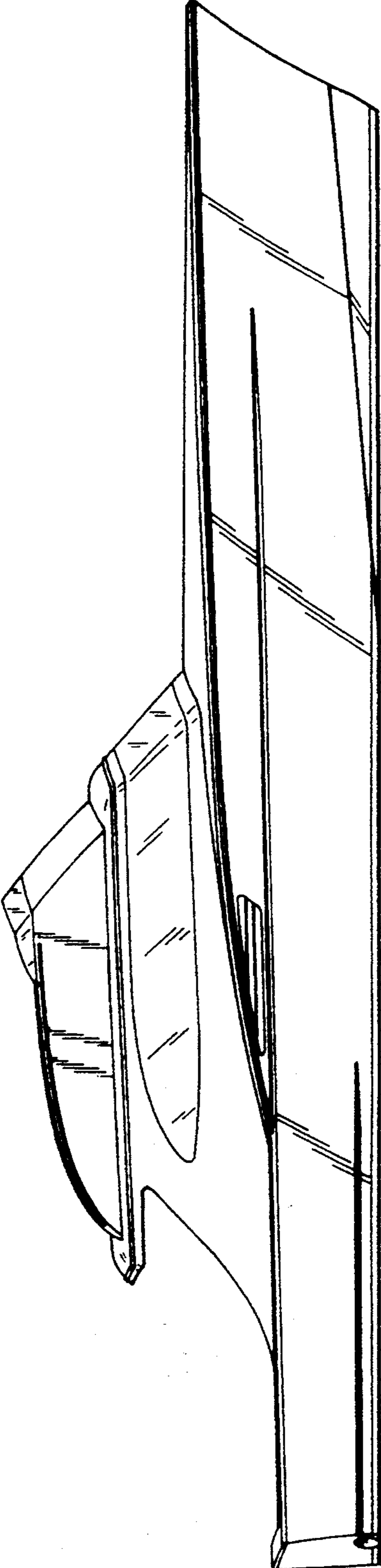


FIG. 1

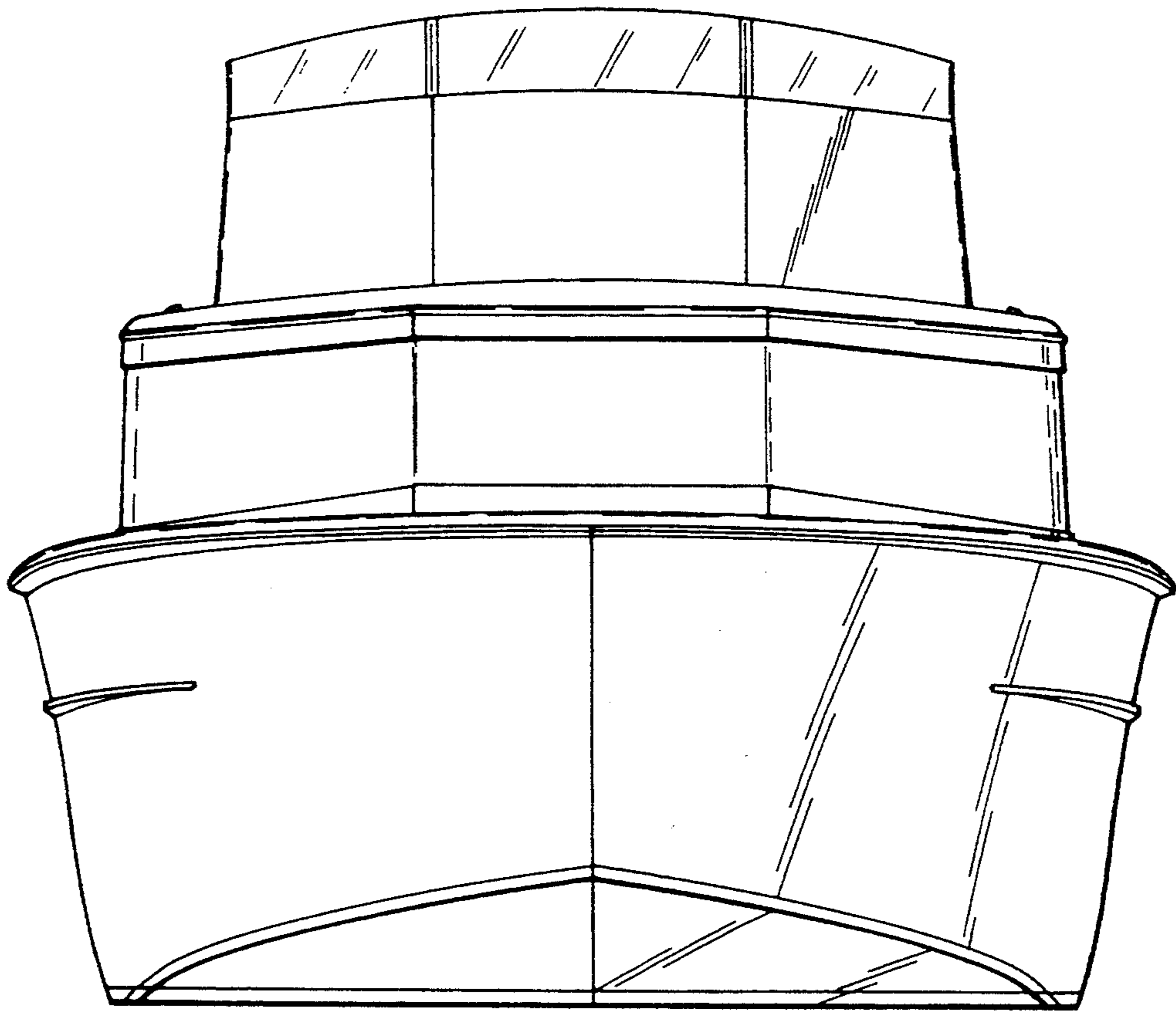


FIG. 2

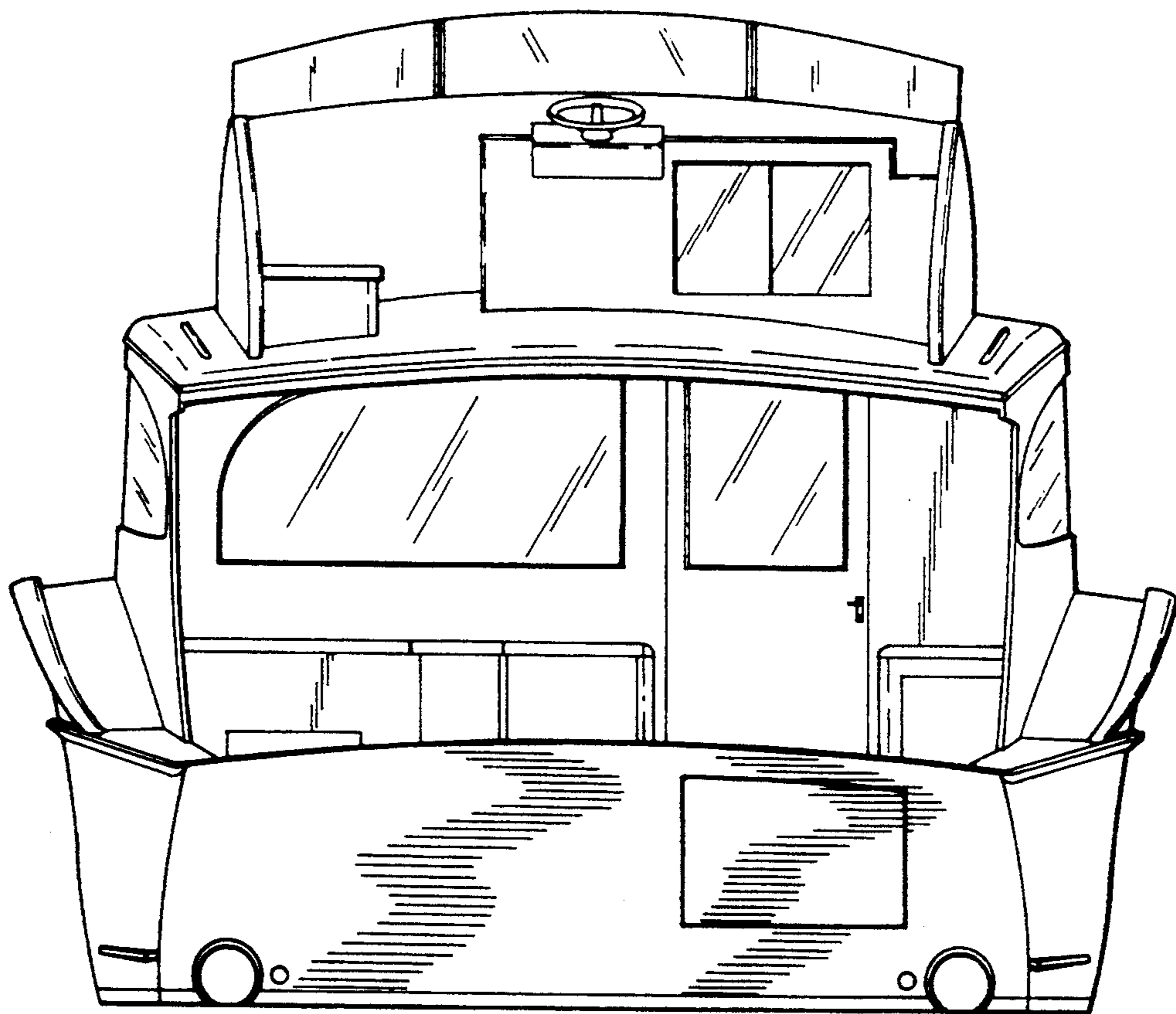


FIG. 3

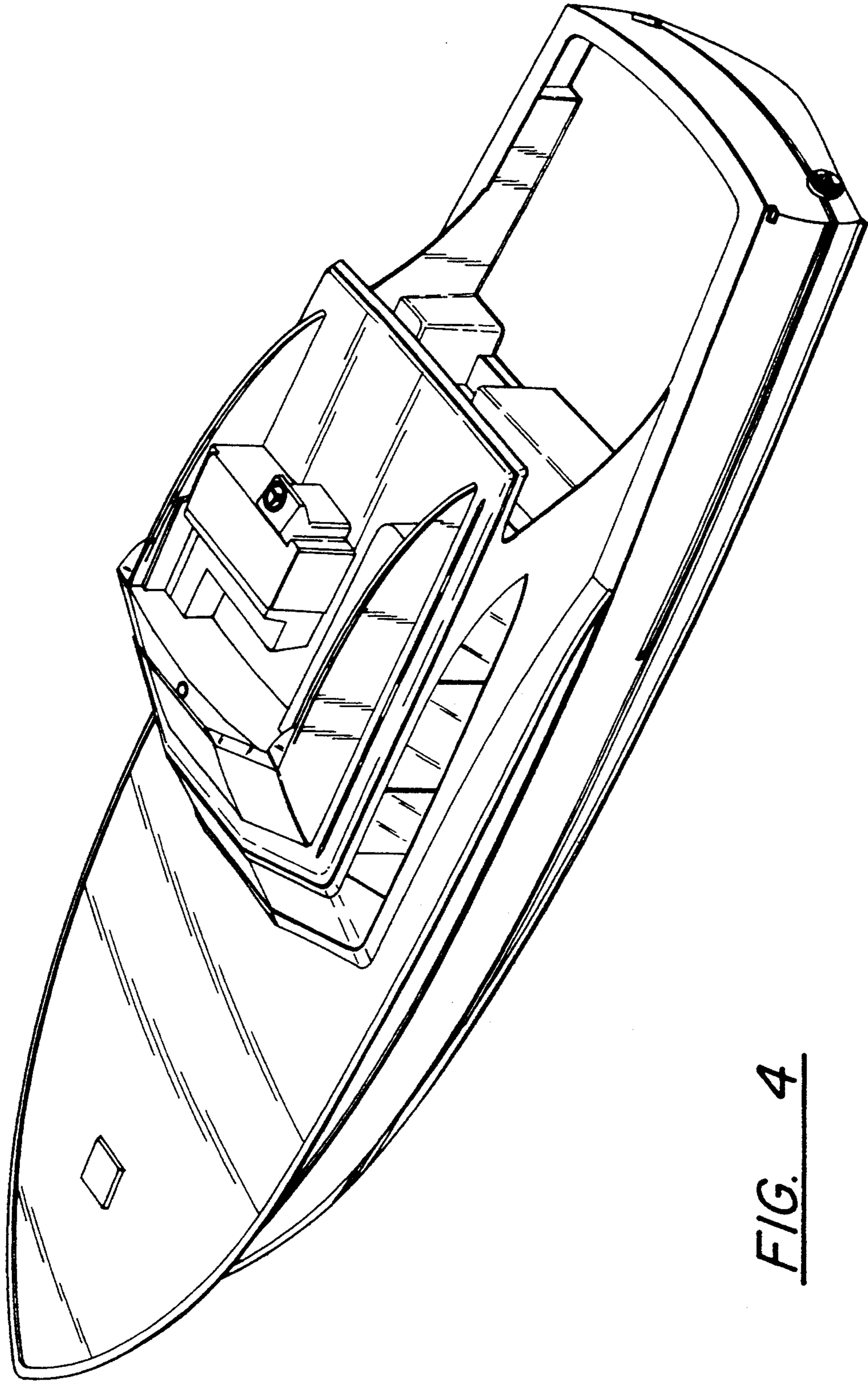


FIG. 4