



US00D349880S

United States Patent [19]

[11] Patent Number: **Des. 349,880**

Williamson et al.

[45] Date of Patent: **** Aug. 23, 1994**

[54] **RAFT TILLER ASSEMBLY**

3,372,667	3/1968	Sweet .
4,115,888	9/1978	Sievers .
4,157,074	6/1979	Sherwood et al. .
4,681,550	7/1987	Koenig .

[75] Inventors: **Don J. Williamson**, 408 Carswold Dr., St. Louis, Mo. 63105; **Jerome A. Tuchschnidt**, St. Louis, Mo.

Primary Examiner—Kay H. Chin
Attorney, Agent, or Firm—Kalish & Gilster

[73] Assignee: **Don J. Williamson**, St. Louis, Mo.

[**] Term: **14 Years**

[57] **CLAIM**

[21] Appl. No.: **8,100**

The ornamental design for a raft tiller assembly, as shown and described.

[22] Filed: **May 10, 1993**

[52] U.S. Cl. **D12/317**

DESCRIPTION

[58] Field of Search 440/40, 42; 114/153; D12/300, 317

FIG. 1 is a front elevational view of a raft tiller assembly showing our new design, the broken lines are for illustrative purposes only and form no part of the claimed design;

[56] **References Cited**

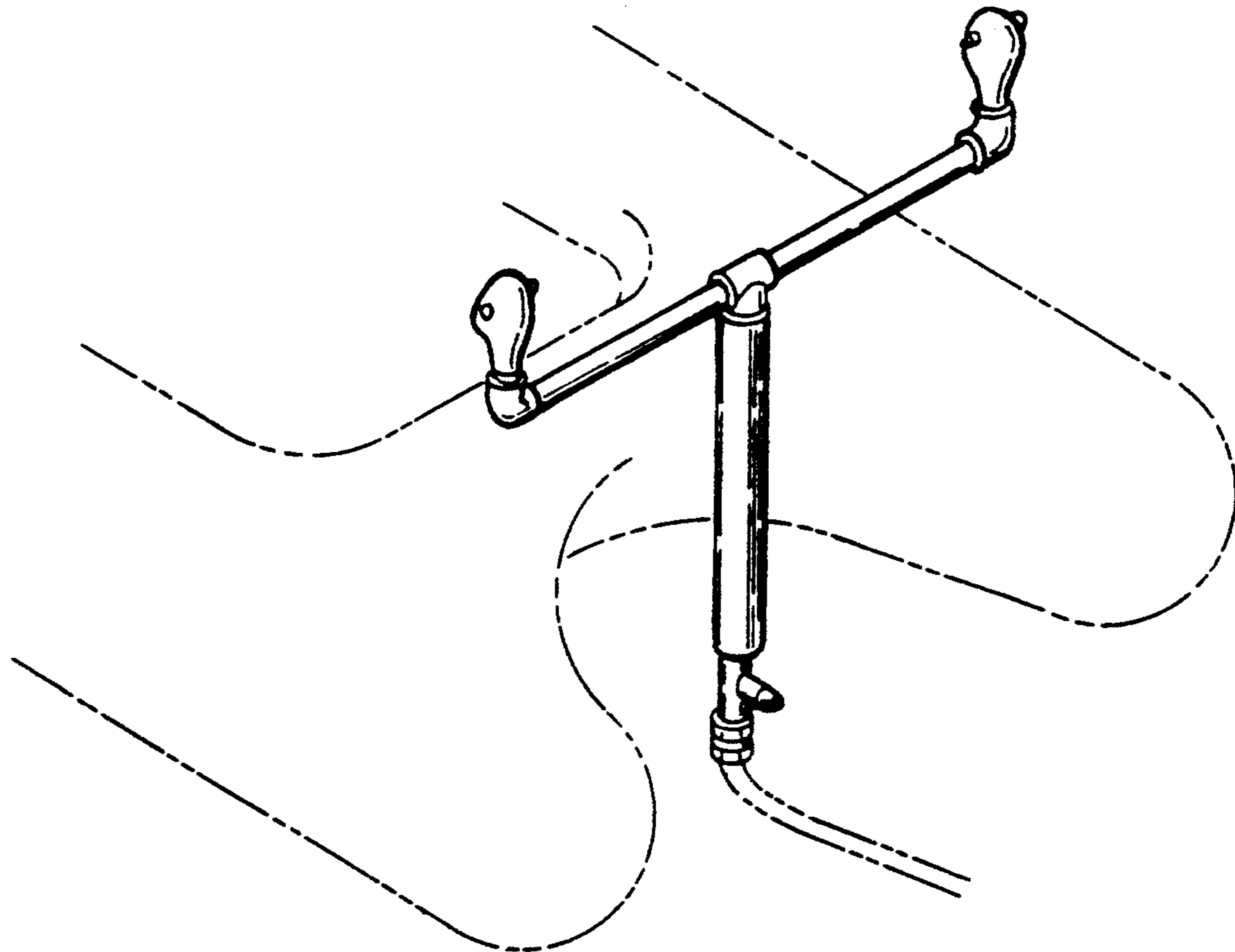
U.S. PATENT DOCUMENTS

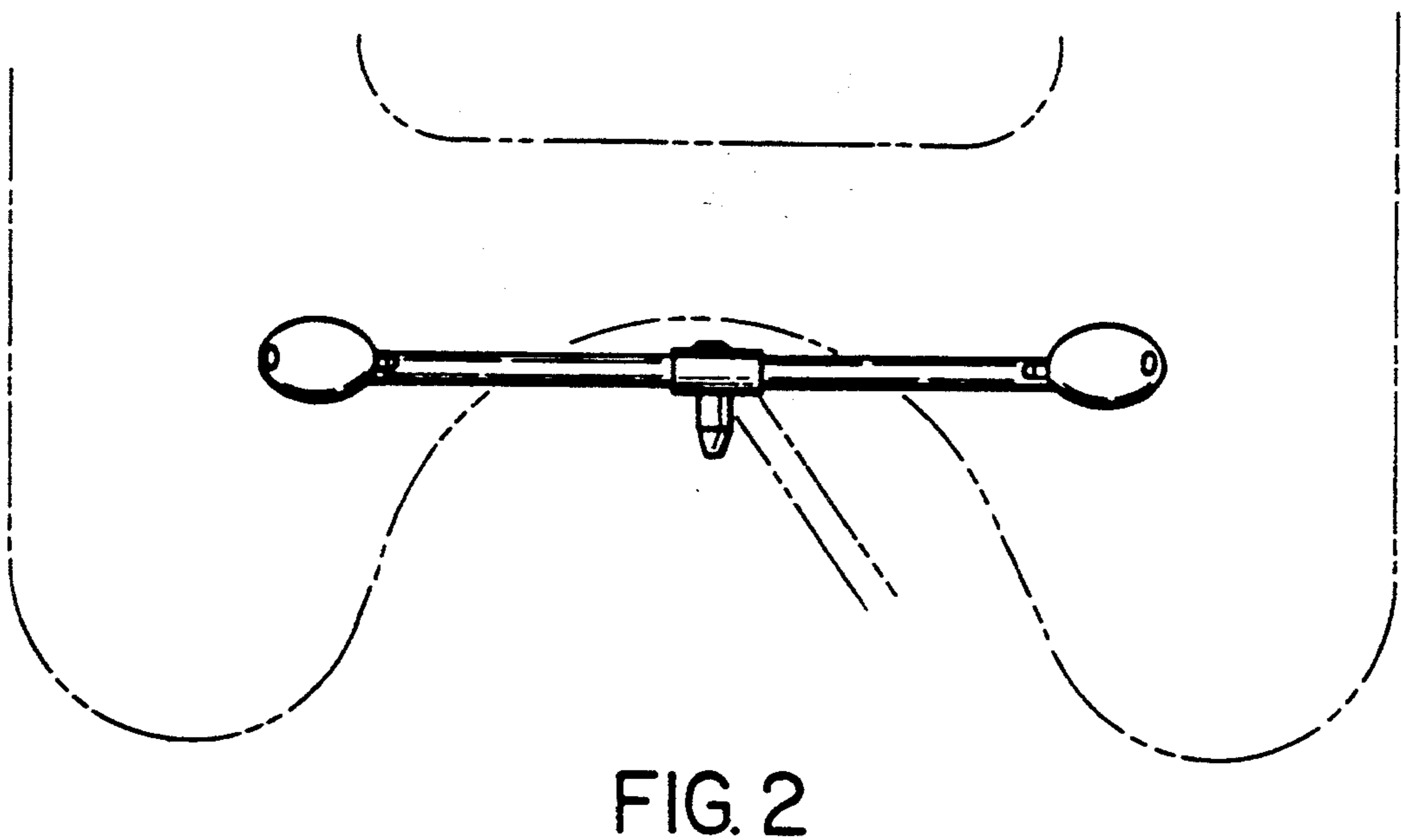
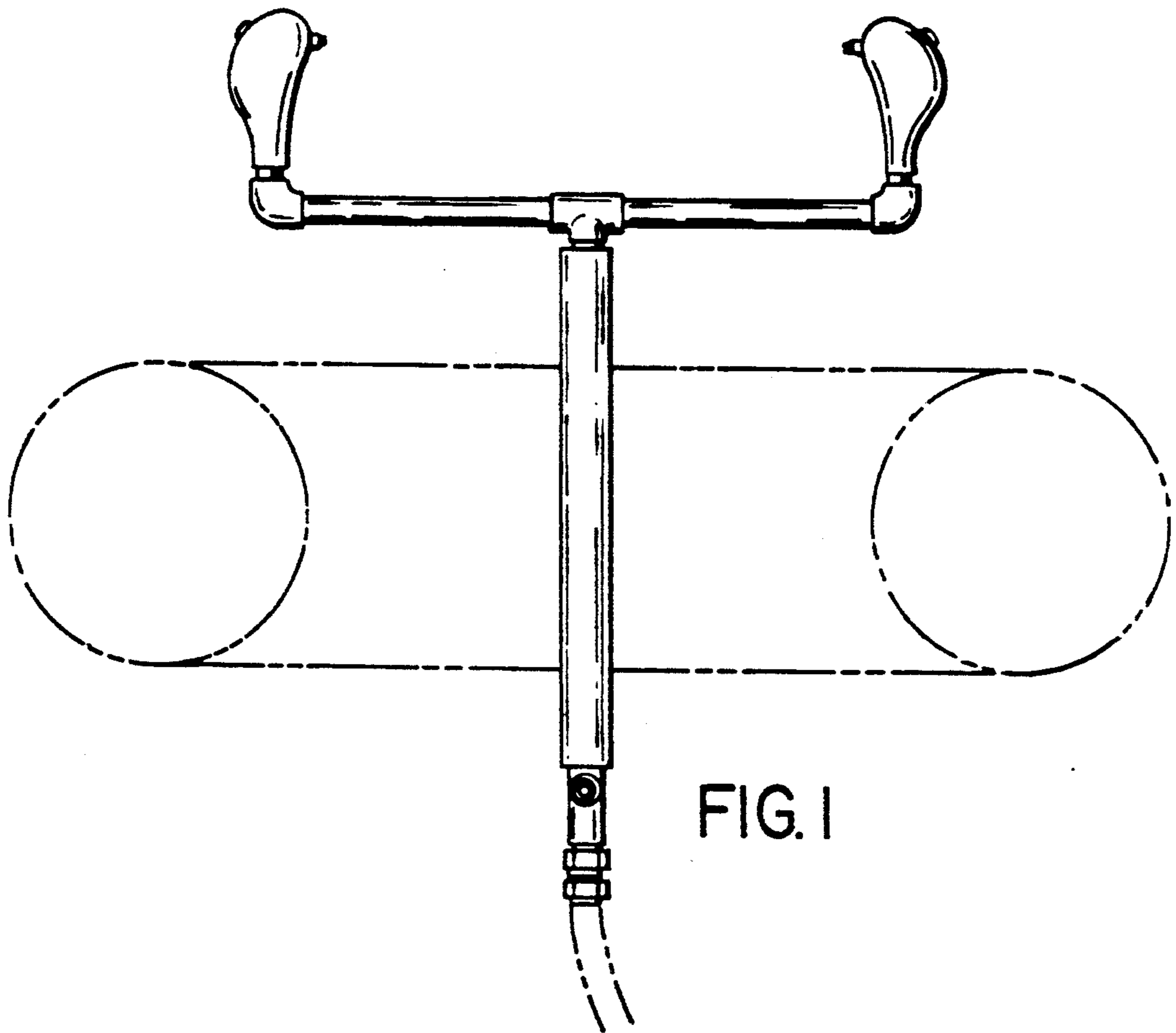
D. 264,084	4/1982	Morgan	D12/317
3,142,285	7/1964	Sorrentino et al.	.	

FIG. 2 is a top plan view thereof;

FIG. 3 is a bottom plan view thereof; and,

FIG. 4 a perspective view thereof.





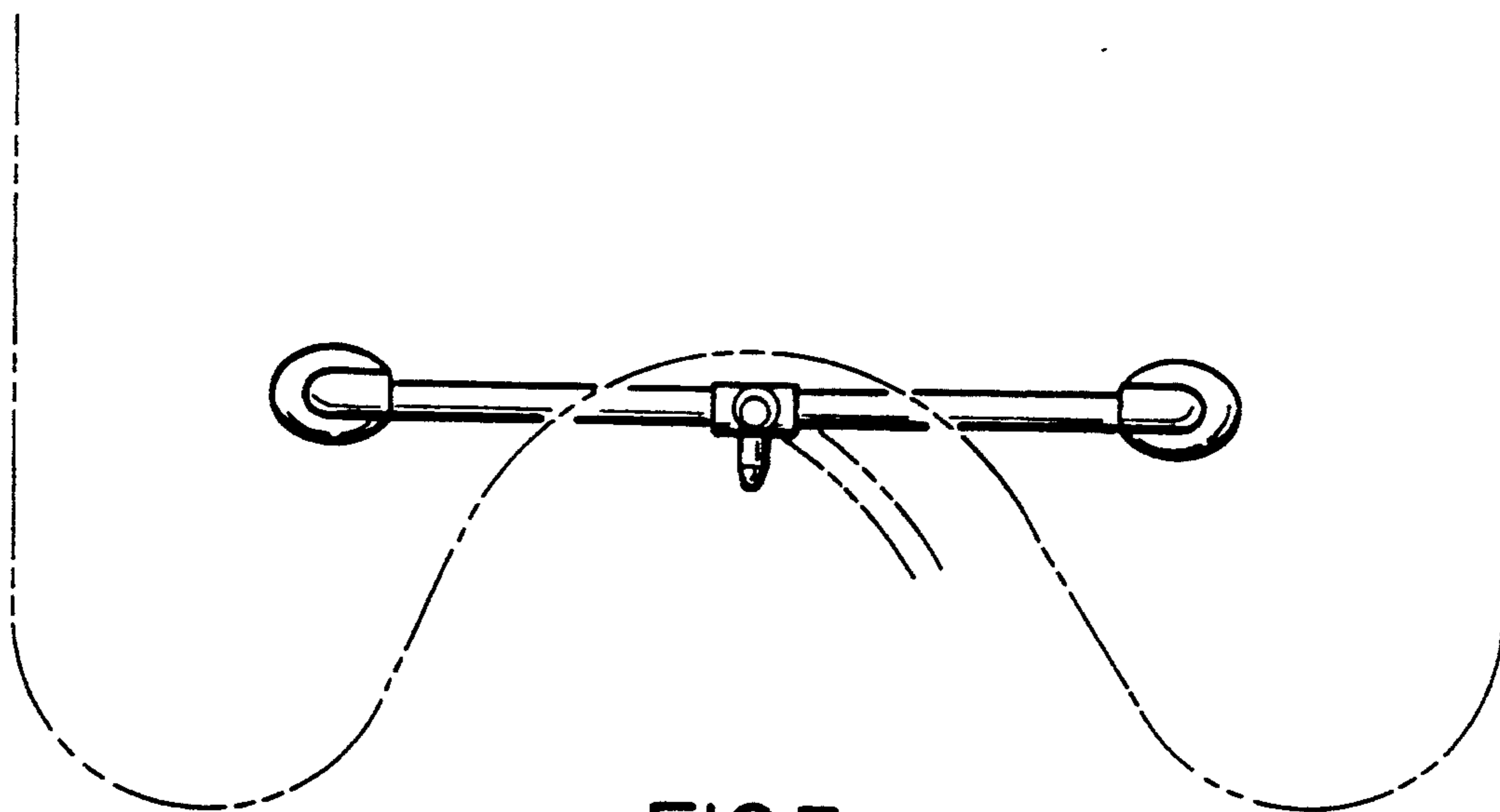


FIG.3

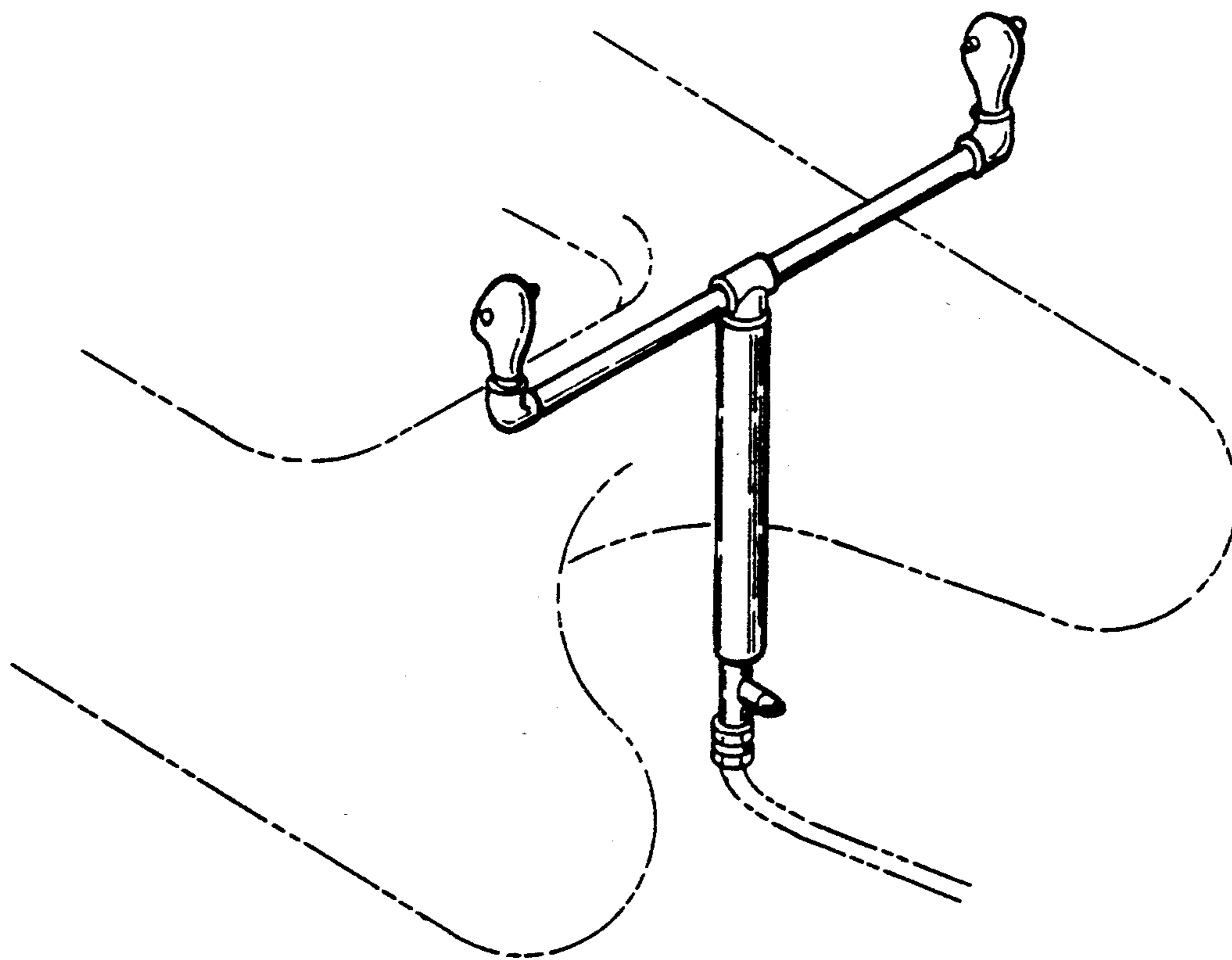


FIG.4