



US00D349875S

United States Patent [19] Blodgett

[11] Patent Number: **Des. 349,875**

[45] Date of Patent: **** Aug. 23, 1994**

[54] **SNOWMOBILE TOW HITCH**

[76] Inventor: **Rick Blodgett**, P.O. Box 532, Teller, Ak. 99778-0532

[**] Term: **14 Years**

[21] Appl. No.: **6,612**

[22] Filed: **Apr. 2, 1993**

[52] U.S. Cl. **D12/162**

[58] Field of Search 280/24, 292; D8/349, D8/354; D12/162

[56] **References Cited**

U.S. PATENT DOCUMENTS

3,797,846	3/1974	Pevic	280/24
4,304,418	12/1981	Foster	280/24
4,353,563	10/1982	Foster	280/24
4,856,799	8/1989	Hawn	280/24

Primary Examiner—Wallace R. Burke
Assistant Examiner—M. Brown
Attorney, Agent, or Firm—Terry M. Gernstein

[57] **CLAIM**

The ornamental design for a snowmobile tow hitch, as shown and described.

DESCRIPTION

FIG. 1 is a front, top and side perspective view of the snowmobile tow hitch embodying the design of the present invention;

FIG. 2 is a front elevational view thereof;

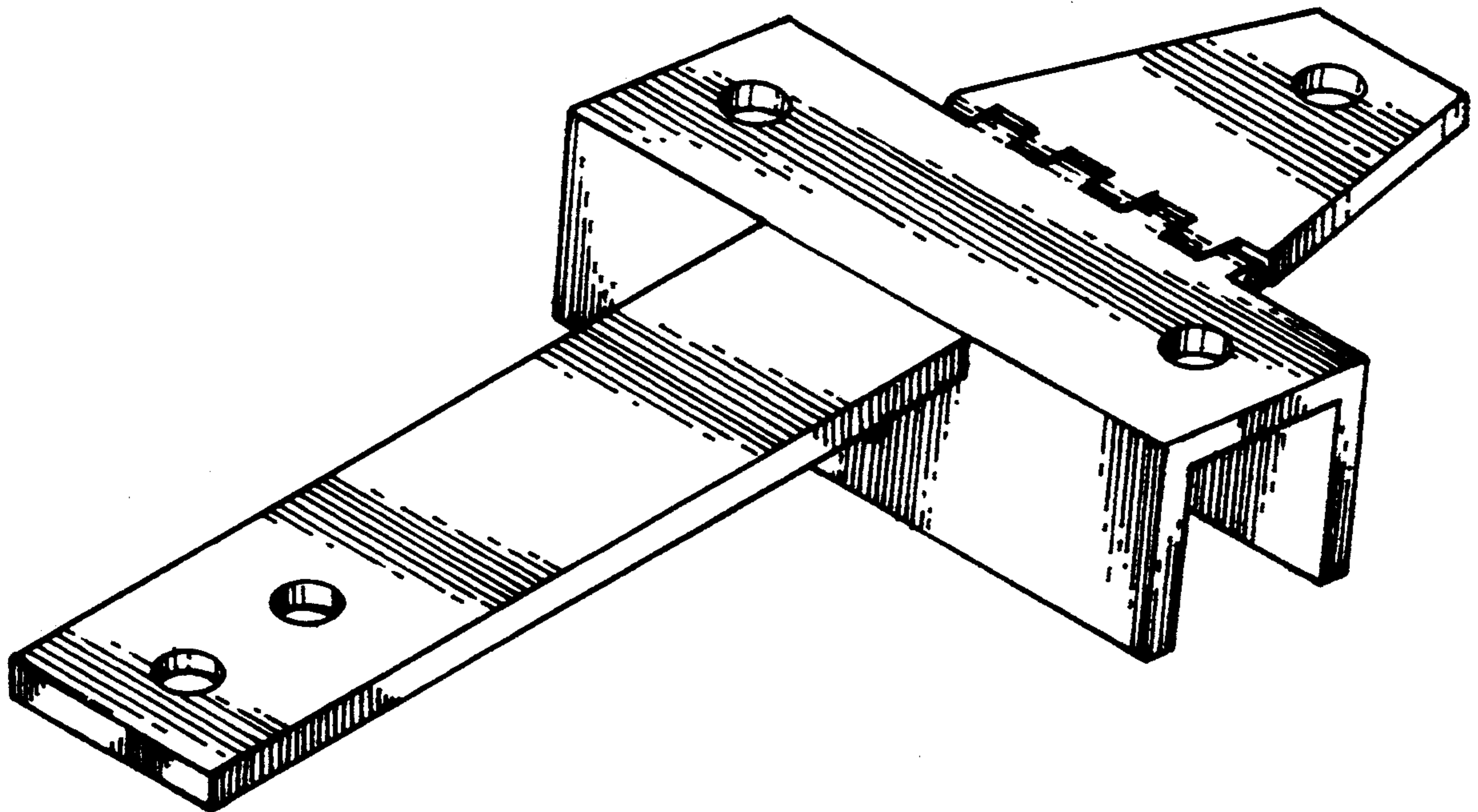
FIG. 3 is a rear elevational view thereof;

FIG. 4 is a side elevational view thereof;

FIG. 5 is an opposite side elevational view thereof;

FIG. 6 is a top plan view thereof; and,

FIG. 7 is a bottom plan view thereof.



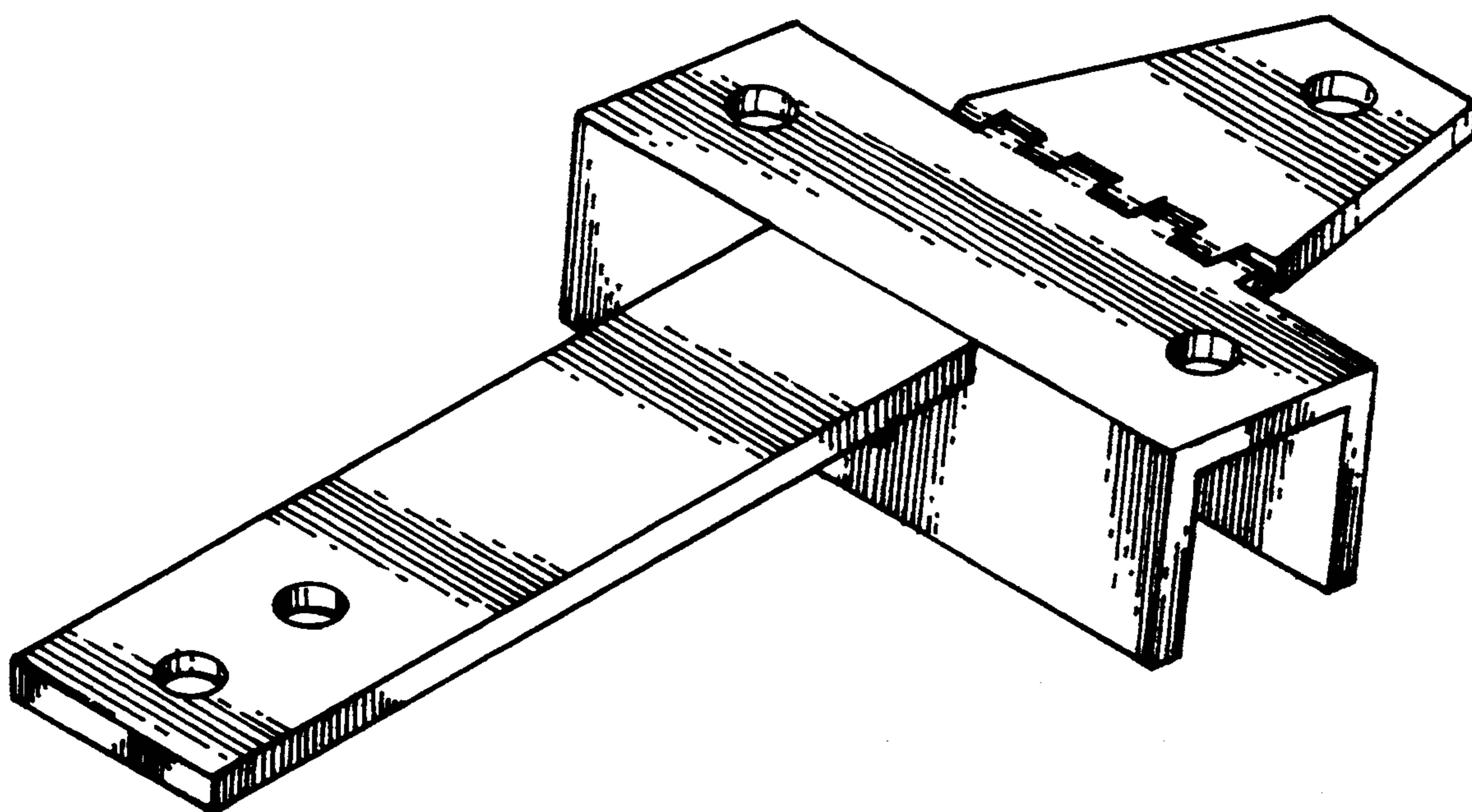


FIG. 1

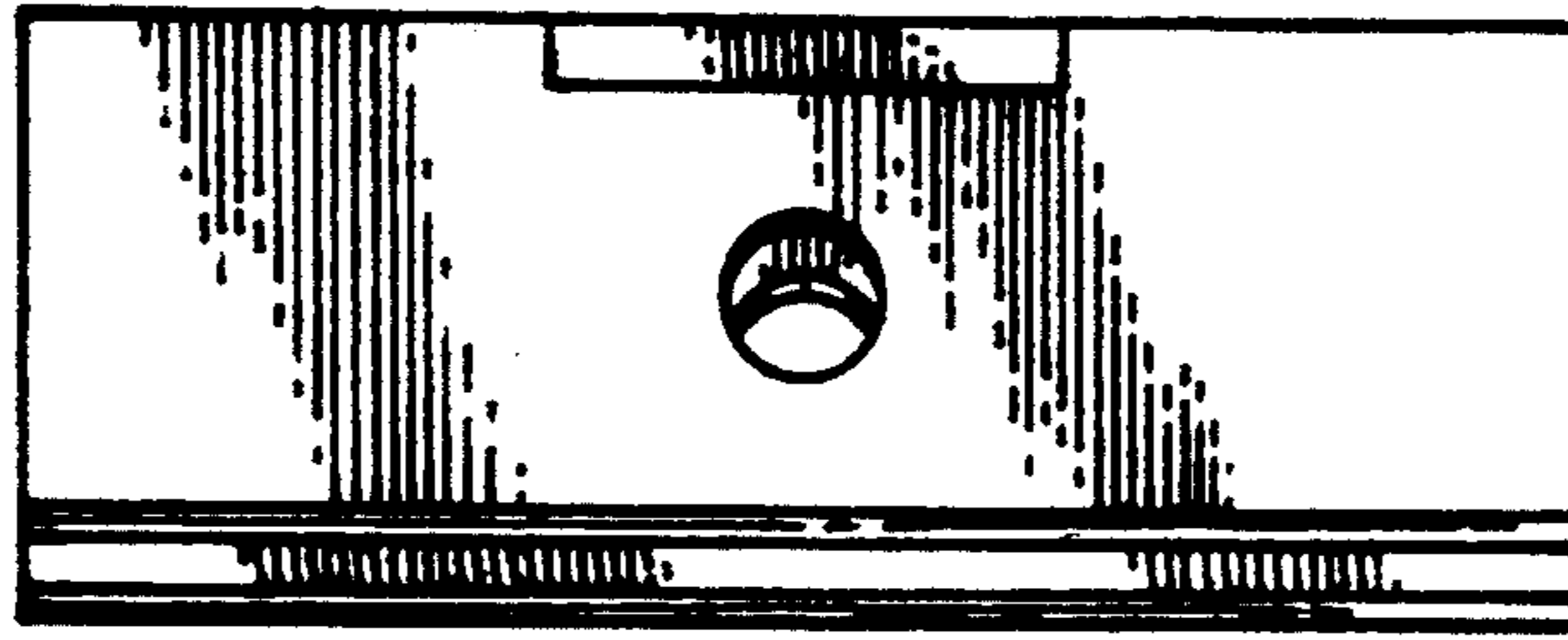


FIG. 2

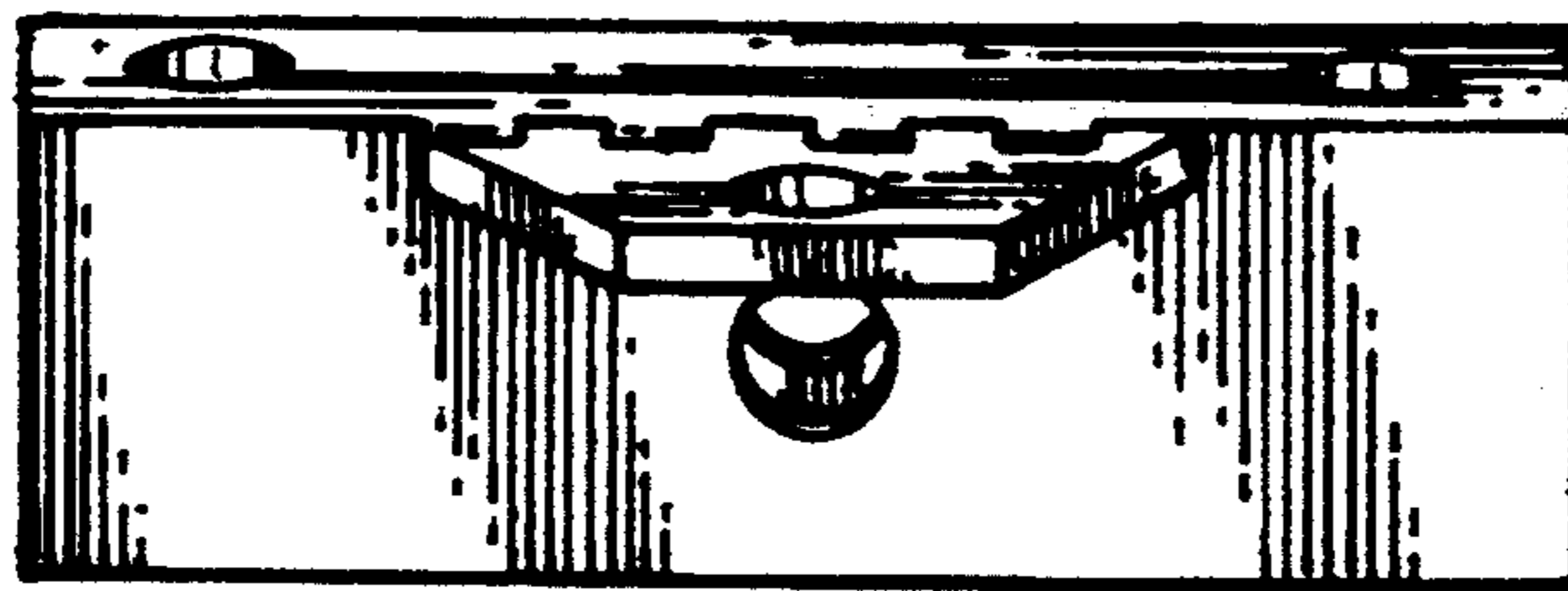


FIG. 3

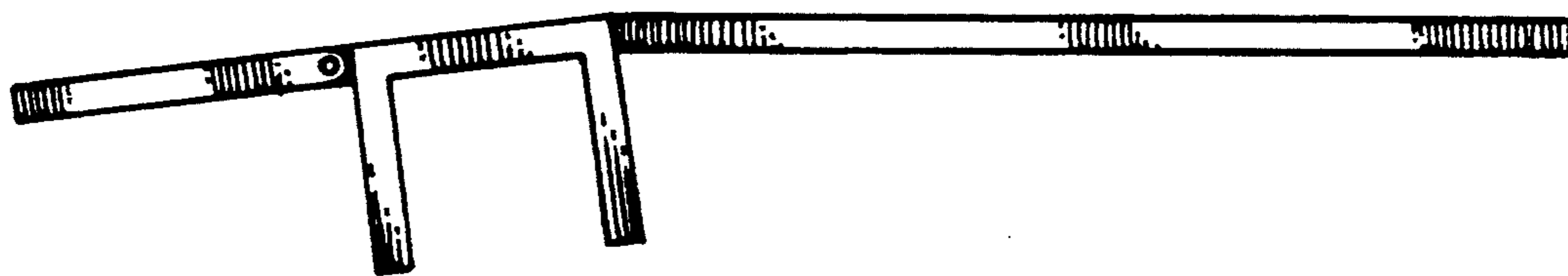


FIG. 4

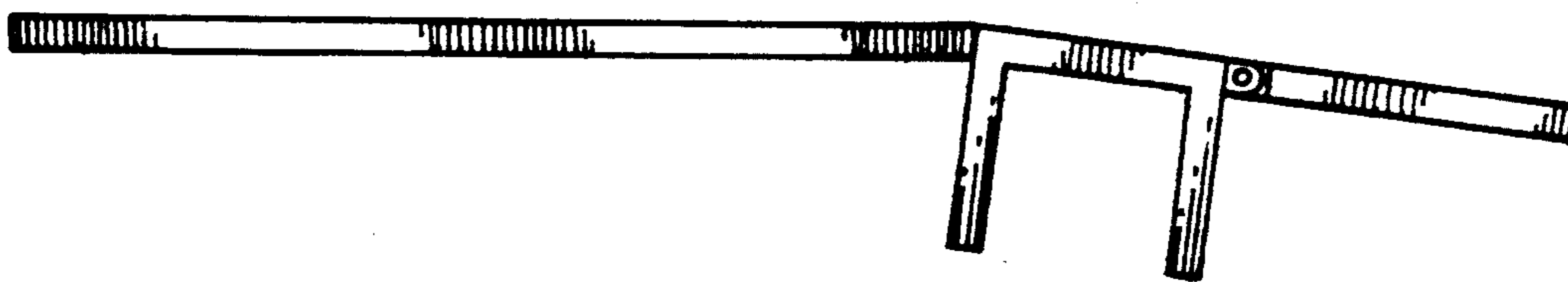


FIG. 5

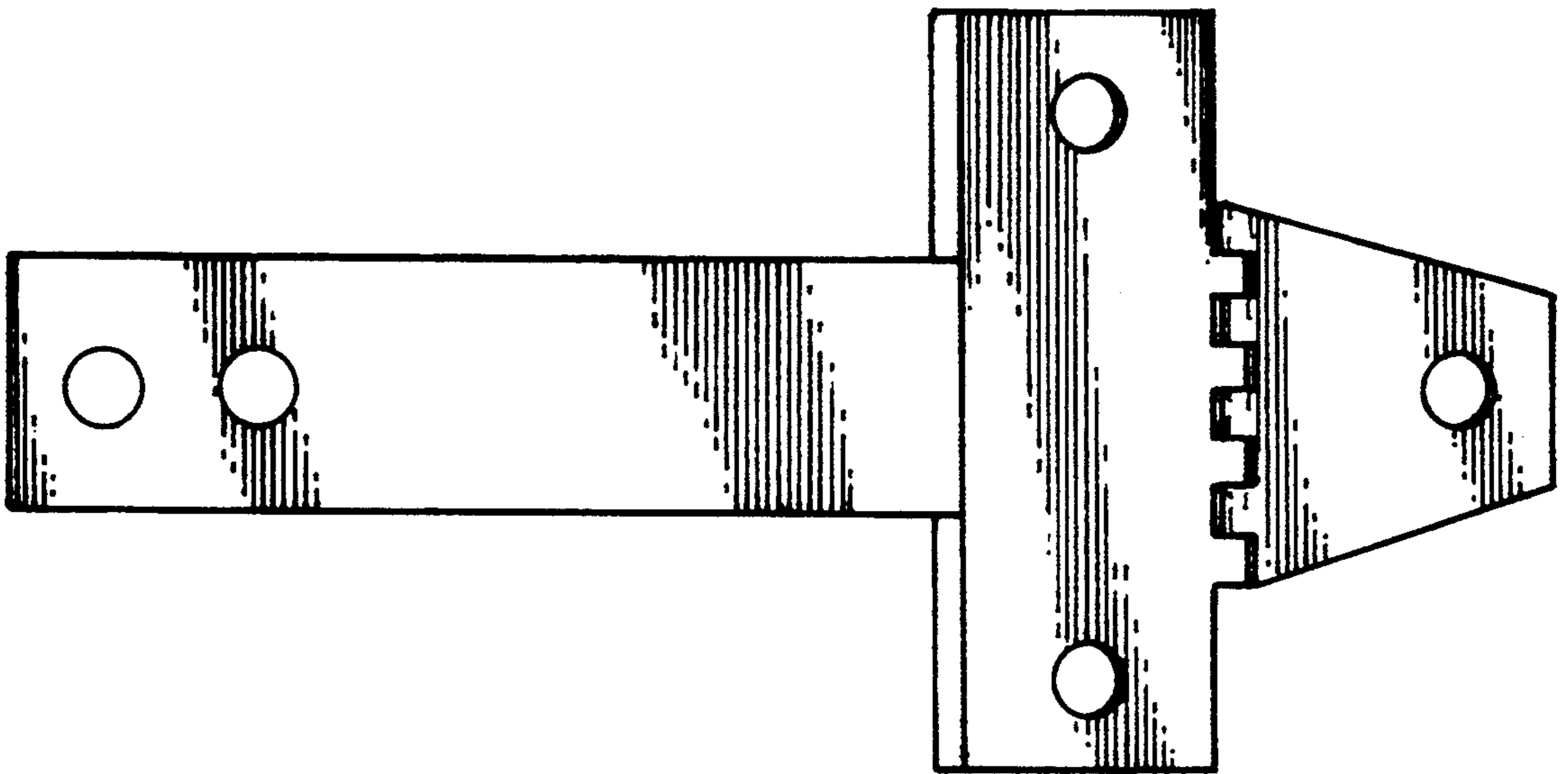


FIG. 6

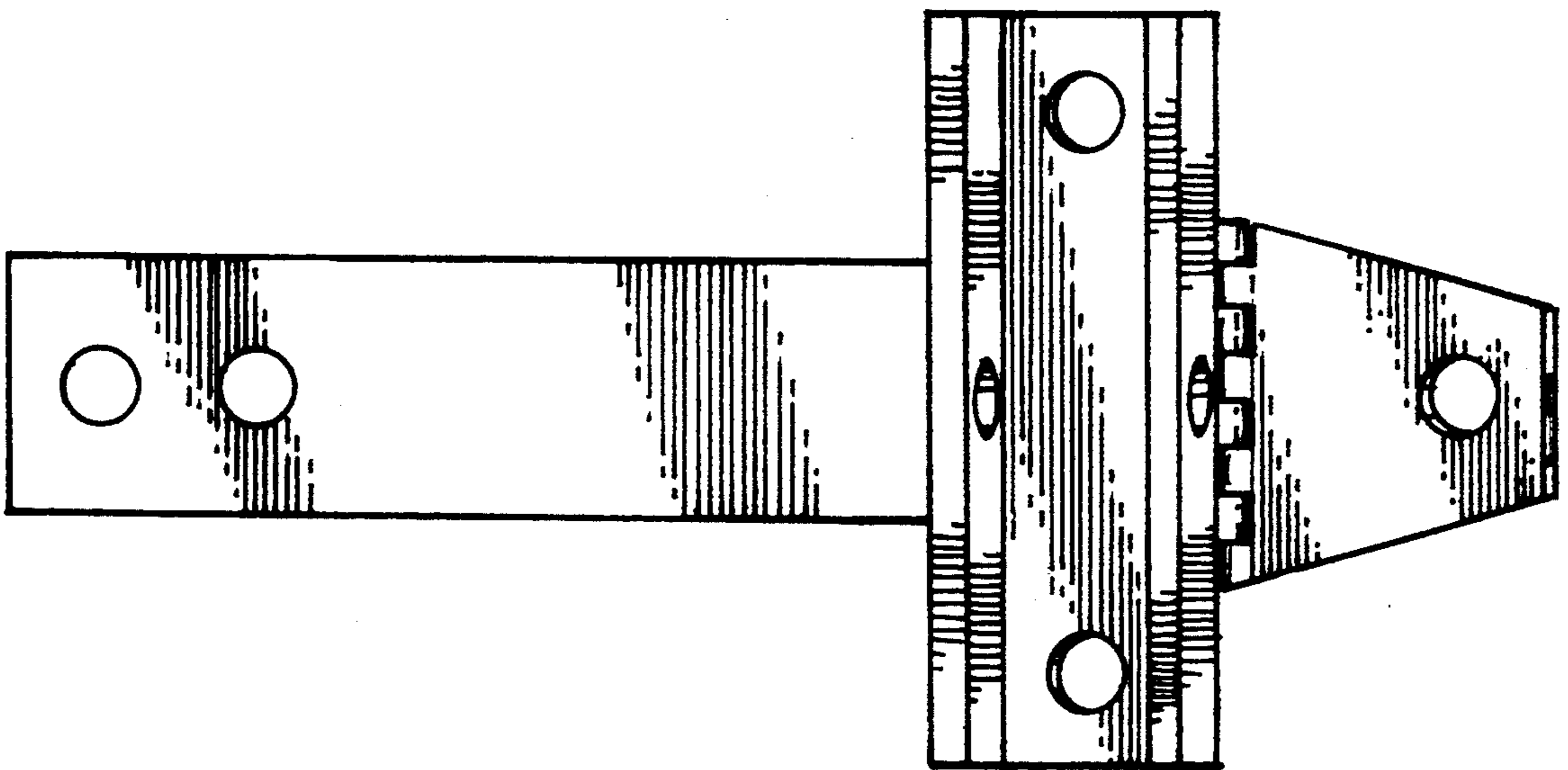


FIG. 7