



US00D349872S

# United States Patent [19]

[11] Patent Number: **Des. 349,872**

**Chaseling et al.**

[45] Date of Patent: **\*\* Aug. 23, 1994**

[54] **TRAILER BODY**

[76] Inventors: **Arthur W. Chaseling**, 10 Malvern Street, Albany Creek, Queensland 4035; **Peter B. McGiffin**, 11 Sidney Street, Clayfield, Queensland 4011, both of Australia

[\*\*] Term: **14 Years**

[21] Appl. No.: **2,031**

[22] Filed: **Nov. 30, 1992**

[30] **Foreign Application Priority Data**

May 28, 1992 [AU] Australia ..... 1388/92  
[52] U.S. Cl. .... **D12/15**  
[58] Field of Search ..... 280/789; 298/31, 32, 298/35 R, 35 M; D12/101

[56] **References Cited**

**U.S. PATENT DOCUMENTS**

D. 265,982 8/1982 Miller ..... D12/15  
D. 289,748 5/1987 Proeschl ..... D12/15  
D. 309,816 8/1990 Morrow, Sr. .... D12/15  
5,249,821 10/1993 Ricketts et al. .... 280/789

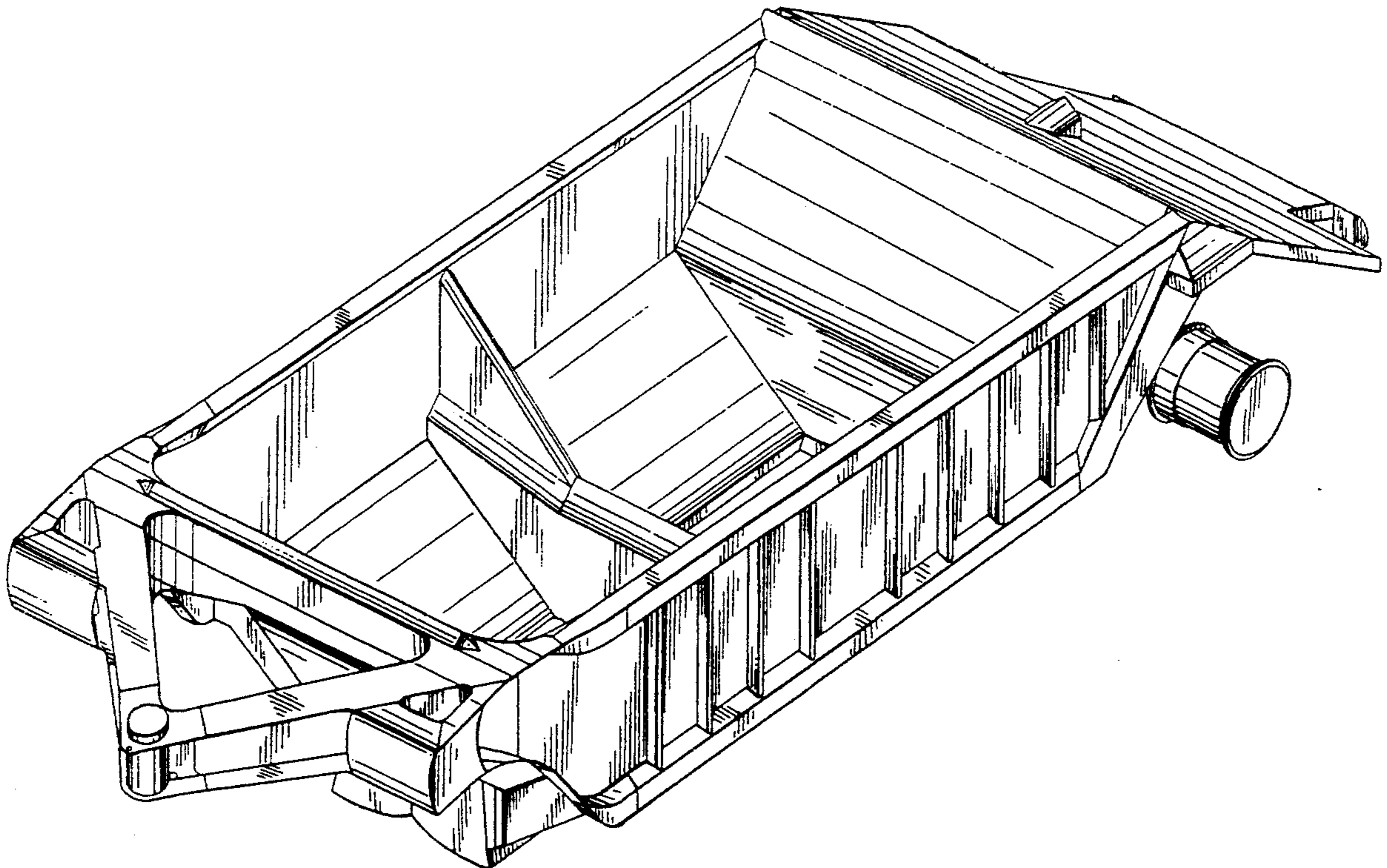
*Primary Examiner*—Wallace R. Burke  
*Assistant Examiner*—M. Brown  
*Attorney, Agent, or Firm*—Helfgott & Karas

[57] **CLAIM**

The ornamental design for a trailer body, as shown.

**DESCRIPTION**

FIG. 1 is a top and front perspective view of a trailer body showing our new design;  
FIG. 2 is a bottom and front perspective view thereof;  
and,  
FIG. 3 is a bottom and rear perspective view thereof.



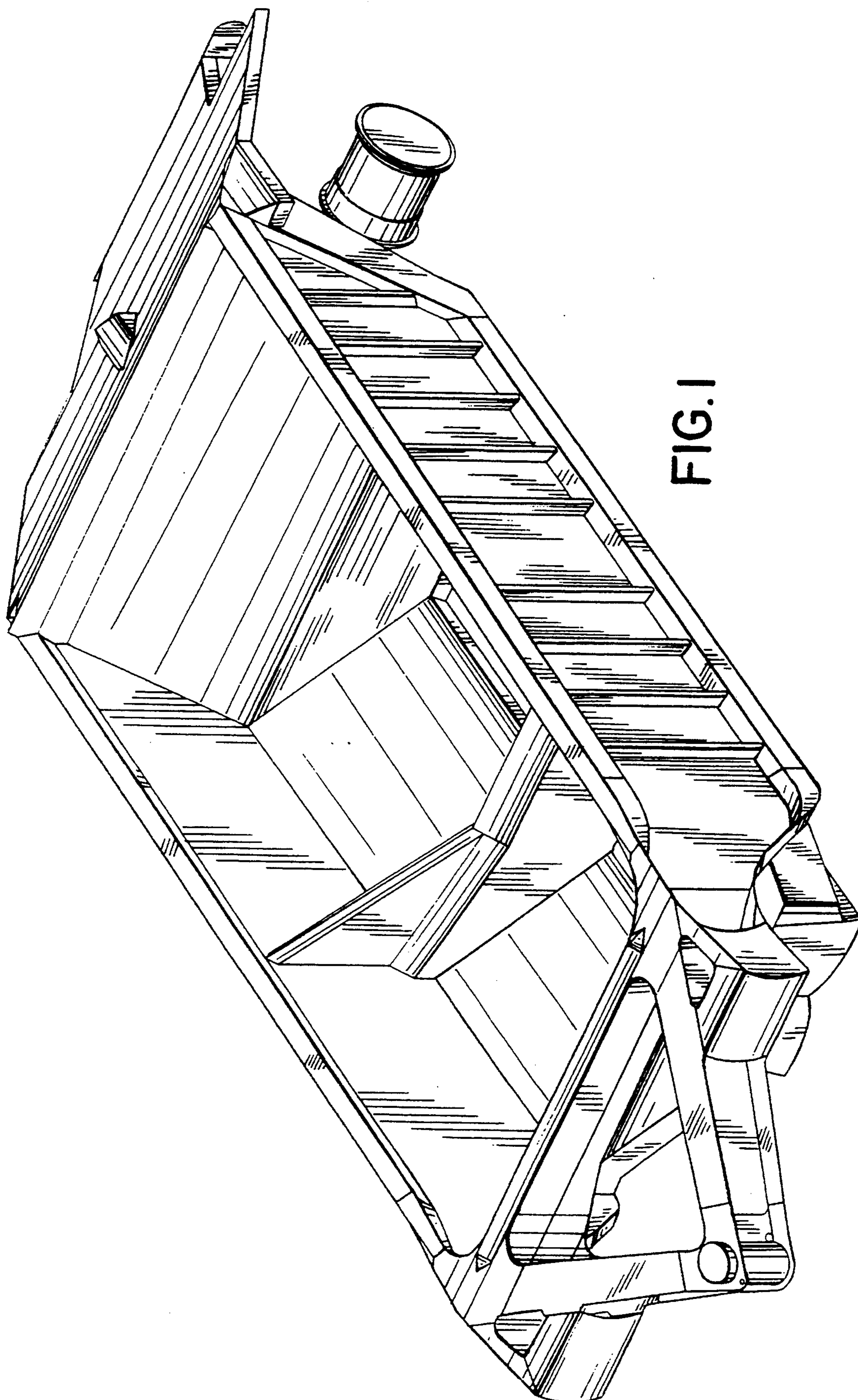


FIG. 1

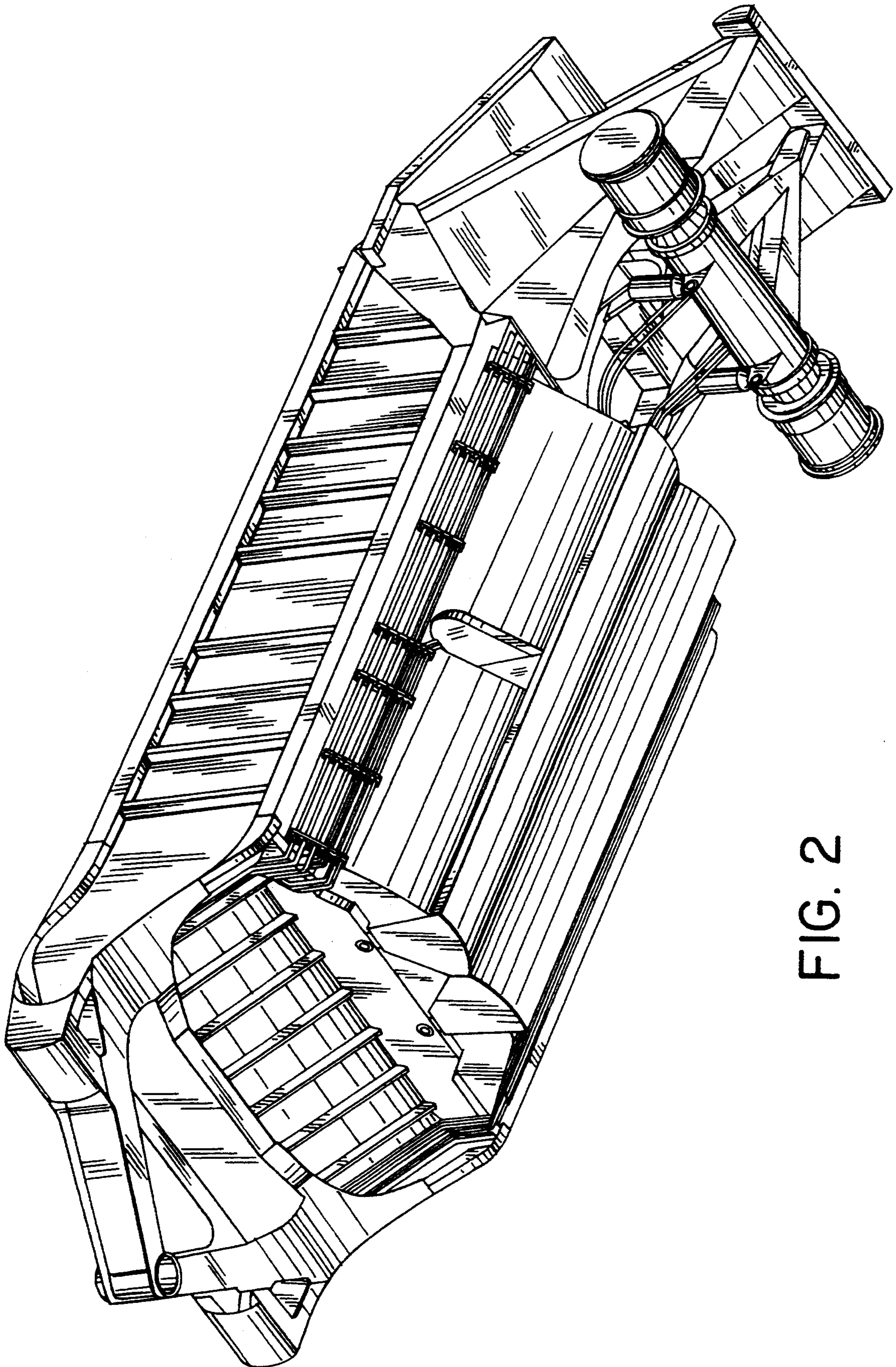


FIG. 2

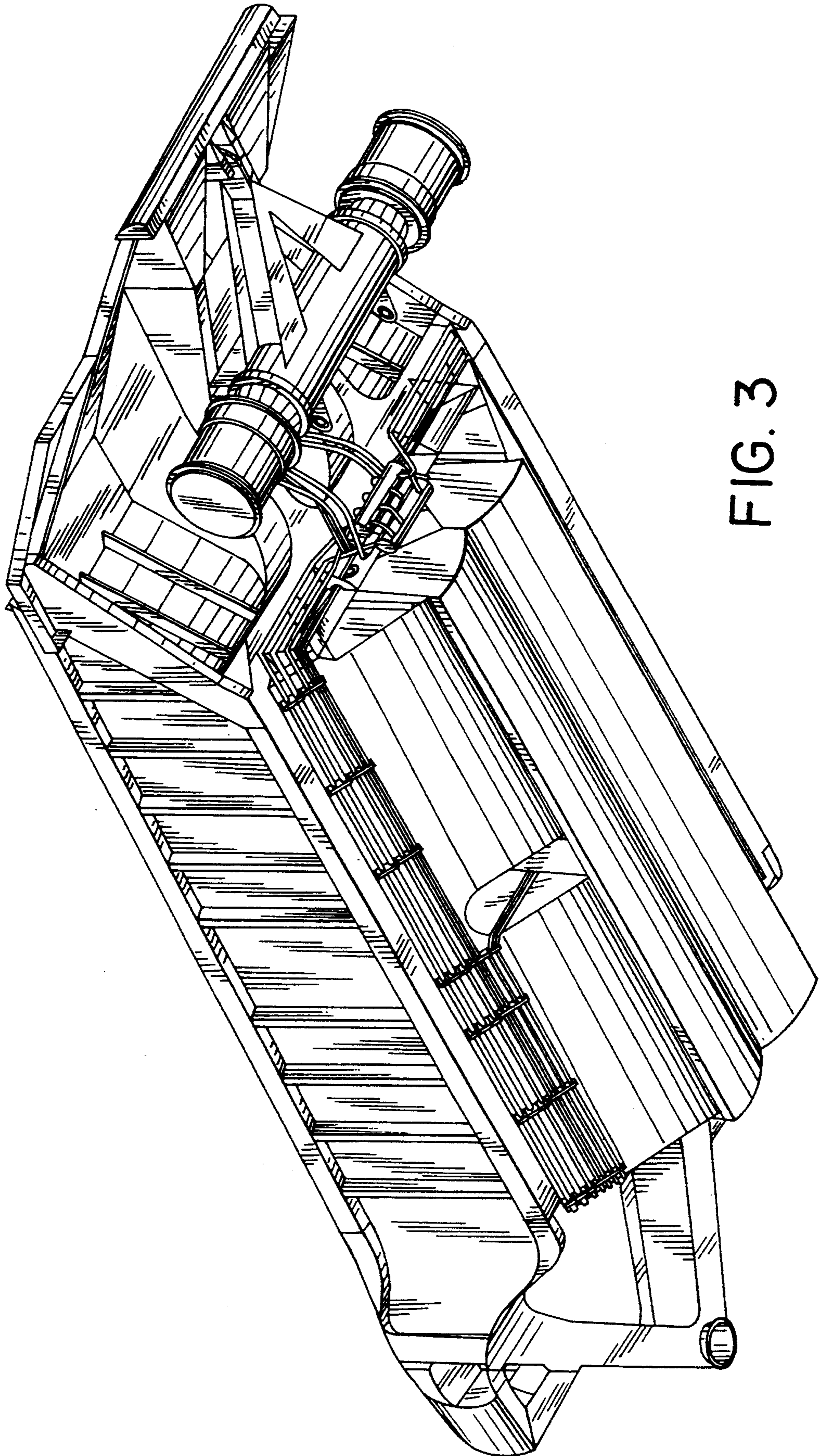


FIG. 3