



US00D349865S

United States Patent [19]

[11] Patent Number: **Des. 349,865**

Benhamou

[45] Date of Patent: **** Aug. 23, 1994**

[54] **HEART JEWELRY CHAIN**

[75] Inventor: **Guy S. Benhamou**, Beverly Hills, Calif.

[73] Assignee: **OroAmerica, Inc.**, Burbank, Calif.

[**] Term: **14 Years**

[21] Appl. No.: **14,599**

[22] Filed: **Oct. 27, 1993**

[52] U.S. Cl. **D11/14**

[58] Field of Search 59/78, 80; 63/1.1, 2, 63/3, 4; D11/1-18, 21-23, 93

[56] **References Cited**

U.S. PATENT DOCUMENTS

- D. 128,494 7/1941 Lerner et al. D11/14
- D. 130,943 12/1941 Dawer D11/7

- D. 151,901 11/1948 Katz D11/14
- D. 161,342 12/1950 Jacoby D11/21
- D. 169,179 3/1953 Philippe D11/14
- D. 243,411 2/1977 Johnson D11/7
- D. 330,342 10/1992 Griffin D11/3

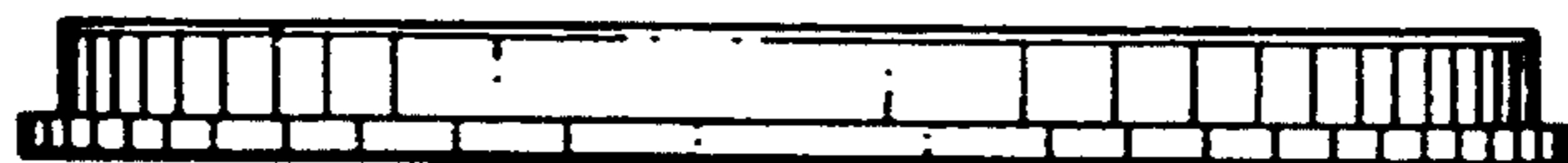
Primary Examiner—A. Hugo Word
Attorney, Agent, or Firm—Drucker & Sommers

[57] **CLAIM**

The ornamental design for a heart jewelry chain, as shown and described.

DESCRIPTION

FIG. 1 is a top view of the heart jewelry chain of my invention;
 FIG. 2 is a top view, in enlargement of a portion of FIG. 1;
 FIG. 3 is a side view of FIG. 2; and,
 FIG. 4 is a bottom view of FIG. 2.



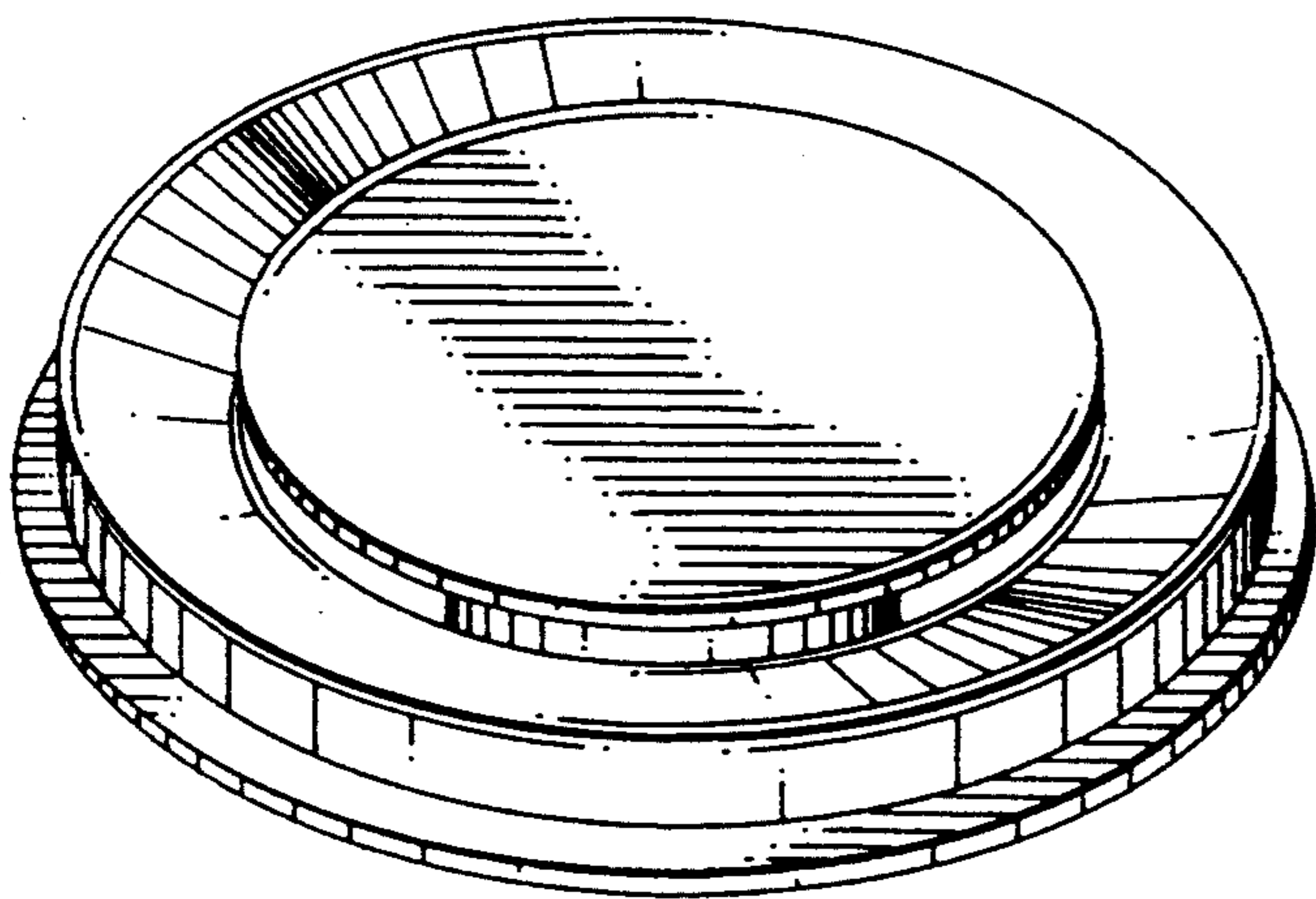


FIG. 1

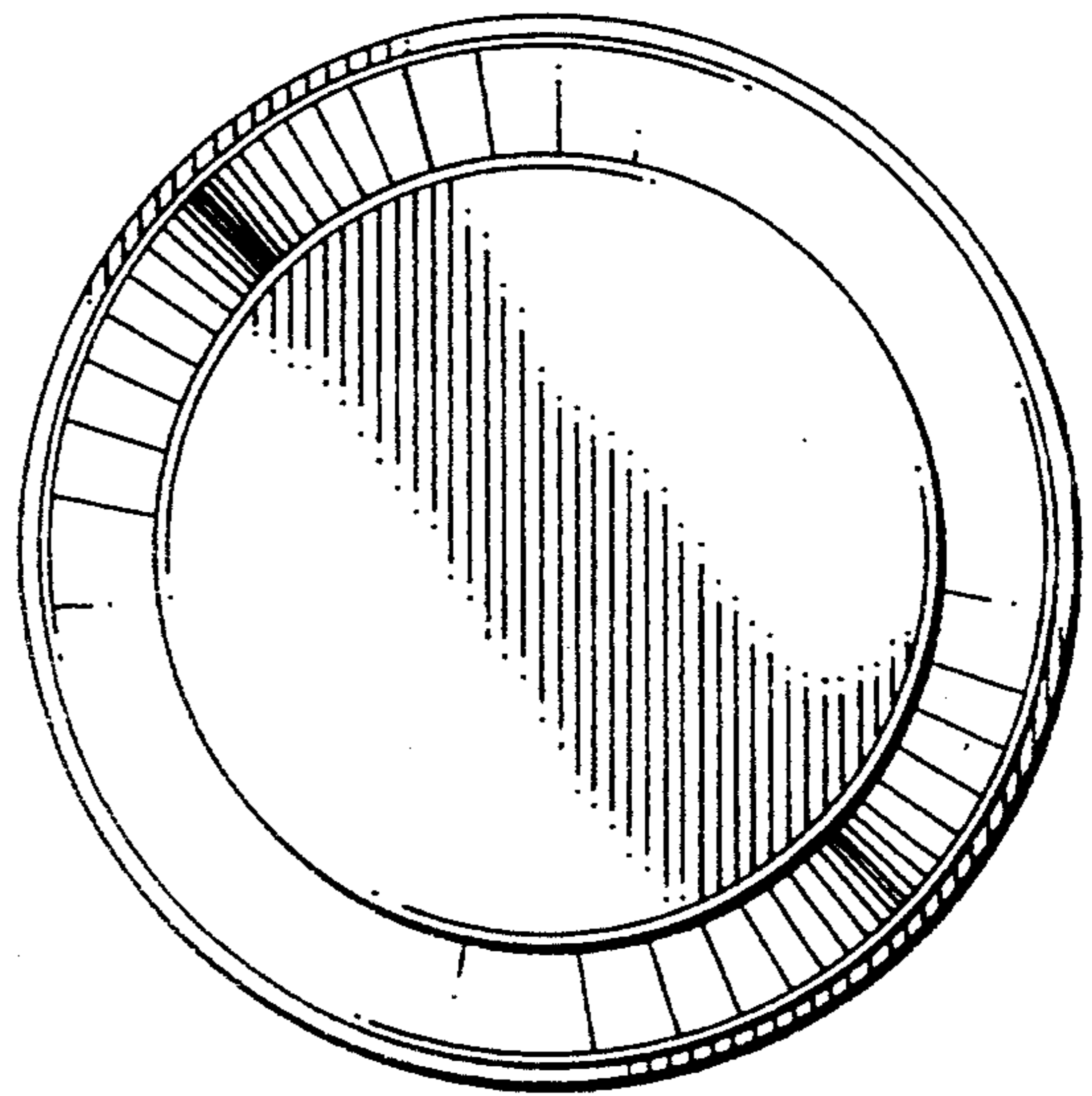


FIG. 3

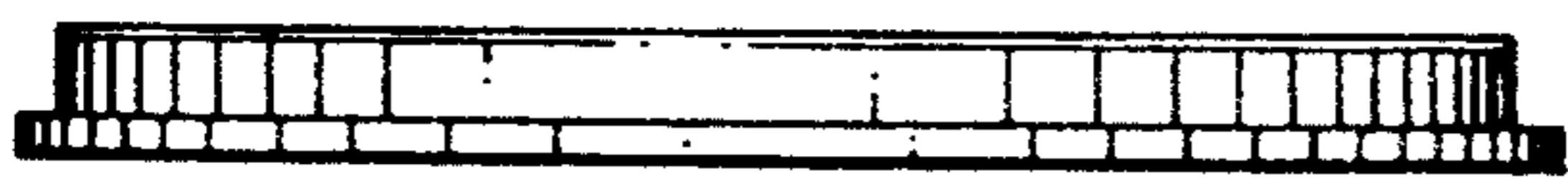


FIG. 2

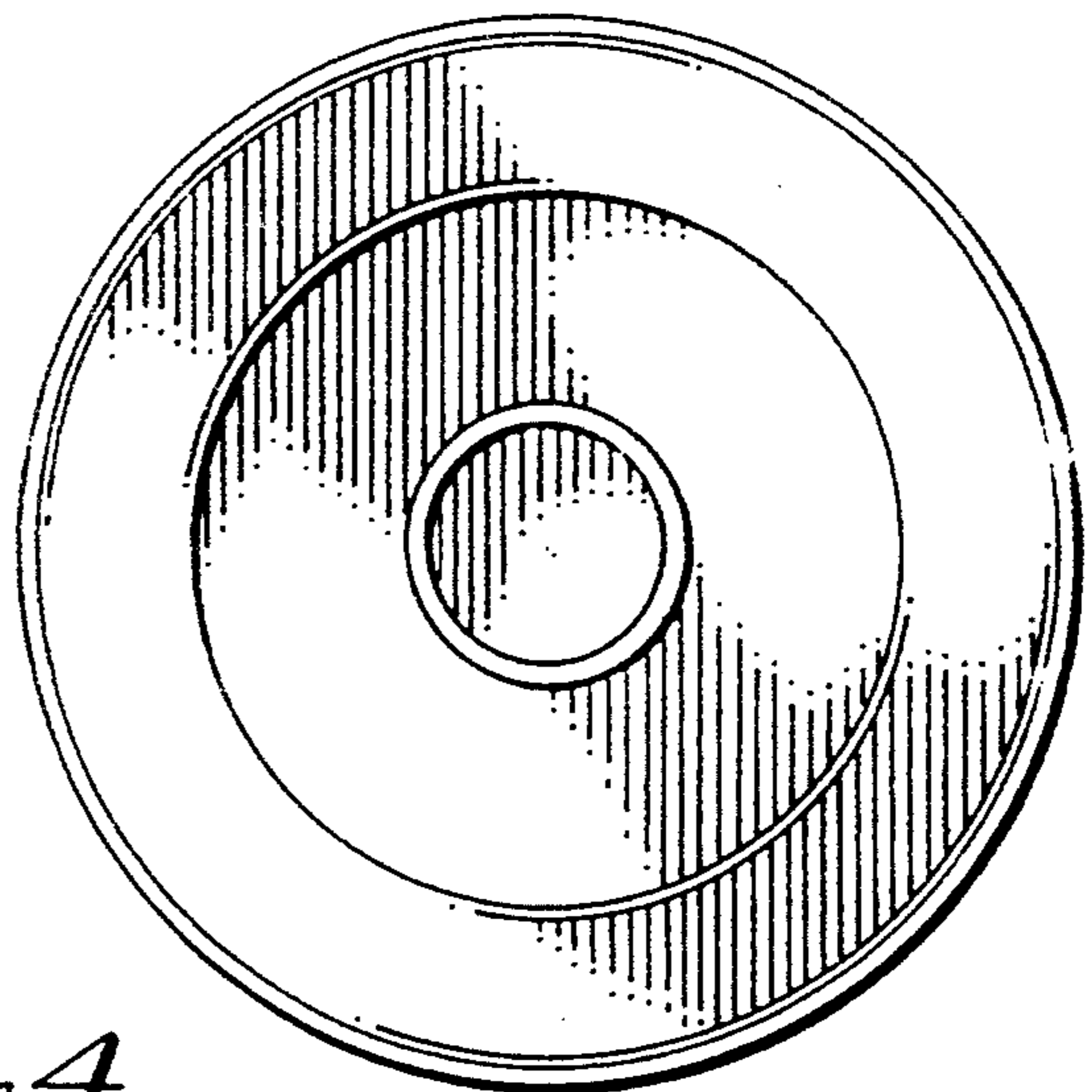


FIG. 4

UNITED STATES PATENT AND TRADEMARK OFFICE
CERTIFICATE OF CORRECTION

Page 1 of 3

PATENT NO. : Des. 349,865
DATED : August 23, 1994
INVENTOR(S) : Guy S. Benhamou

It is certified that error appears in the above-identified patent and that said Letters Patent is hereby corrected as shown below:

Delete Drawing Sheets 1-4, and substitute therefor the drawing sheets, consisting of Figs. 1-4, as shown on the attached page.

The title page, showing an illustrative figure, should be delete and substitute therefor the attached title page.

Signed and Sealed this
Fourteenth Day of February, 1995

Attest:



BRUCE LEHMAN

Attesting Officer

Commissioner of Patents and Trademarks

United States Patent [19]

Benhamou

[11] **Patent Number: Des. 349,865**

[45] **Date of Patent: ** Aug. 23, 1994**

[54] **HEART JEWELRY CHAIN**

[75] **Inventor: Guy S. Benhamou, Beverly Hills, Calif.**

[73] **Assignee: OroAmerica, Inc., Burbank, Calif.**

[**] **Term: 14 Years**

[21] **Appl. No.: 14,599**

[22] **Filed: Oct. 27, 1993**

[52] **U.S. Cl. D11/14**

[58] **Field of Search 59/78, 80; 63/1.1, 2, 63/3, 4; D11/1-18, 21-23, 93**

[56] **References Cited**

U.S. PATENT DOCUMENTS

D. 128,494 7/1941 Lerner et al. D11/14
 D. 130,943 12/1941 Dawer D11/7

D. 151,901 11/1948 Katz D11/14
 D. 161,342 12/1950 Jacoby D11/21
 D. 169,179 3/1953 Philippe D11/14
 D. 243,411 2/1977 Johnson D11/7
 D. 330,342 10/1992 Griffin D11/3

Primary Examiner—A. Hugo Word
Attorney, Agent, or Firm—Drucker & Sommers

[57] **CLAIM**

The ornamental design for a heart jewelry chain, as shown and described.

DESCRIPTION

FIG. 1 is a top view of the heart jewelry chain of my invention;
 FIG. 2 is a top view, in enlargement of a portion of FIG. 1;
 FIG. 3 is a side view of FIG. 2; and,
 FIG. 4 is a bottom view of FIG. 2.



Fig. 1



Fig. 2

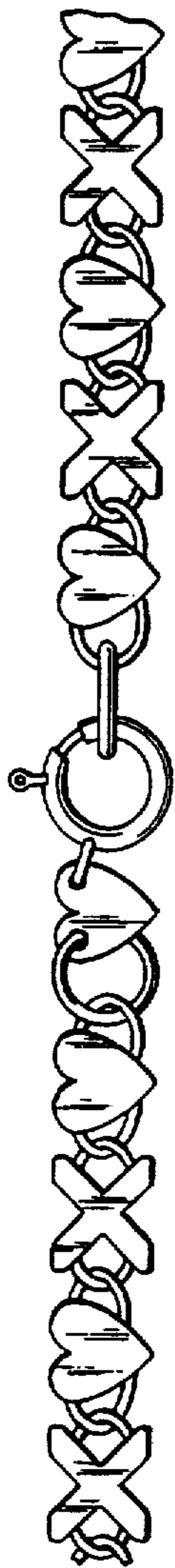


Fig. 3

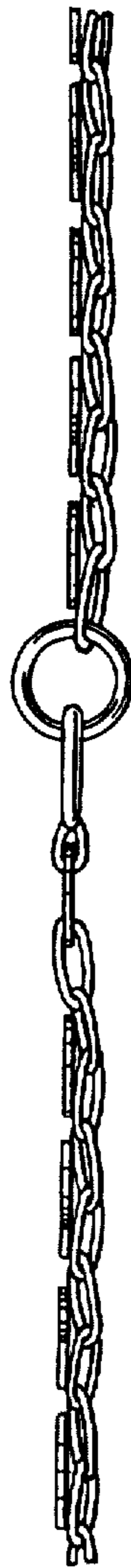


Fig. 4

