



US00D349863S

United States Patent [19]

[11] Patent Number: **Des. 349,863**

Freedman

[45] Date of Patent: **** Aug. 23, 1994**

[54] **HOME COMMUNICATOR FOR A PERSONAL EMERGENCY RESPONSE SYSTEM**

4,761,633 8/1988 Zeff et al. 340/286.07
4,967,195 10/1990 Shipley 340/286.07

[75] Inventor: **Eric H. Freedman**, New York, N.Y.

Primary Examiner—Wallace R. Burke
Assistant Examiner—Marcus Jackson
Attorney, Agent, or Firm—John C. Smith

[73] Assignee: **Health Watch, Inc.**, Boca Raton, Fla.

[57] **CLAIM**

[**] Term: **14 Years**

The ornamental design for a home communicator for a personal emergency response system, as shown and described.

[21] Appl. No.: **11,042**

[22] Filed: **Jul. 23, 1993**

DESCRIPTION

[52] U.S. Cl. **D10/106**

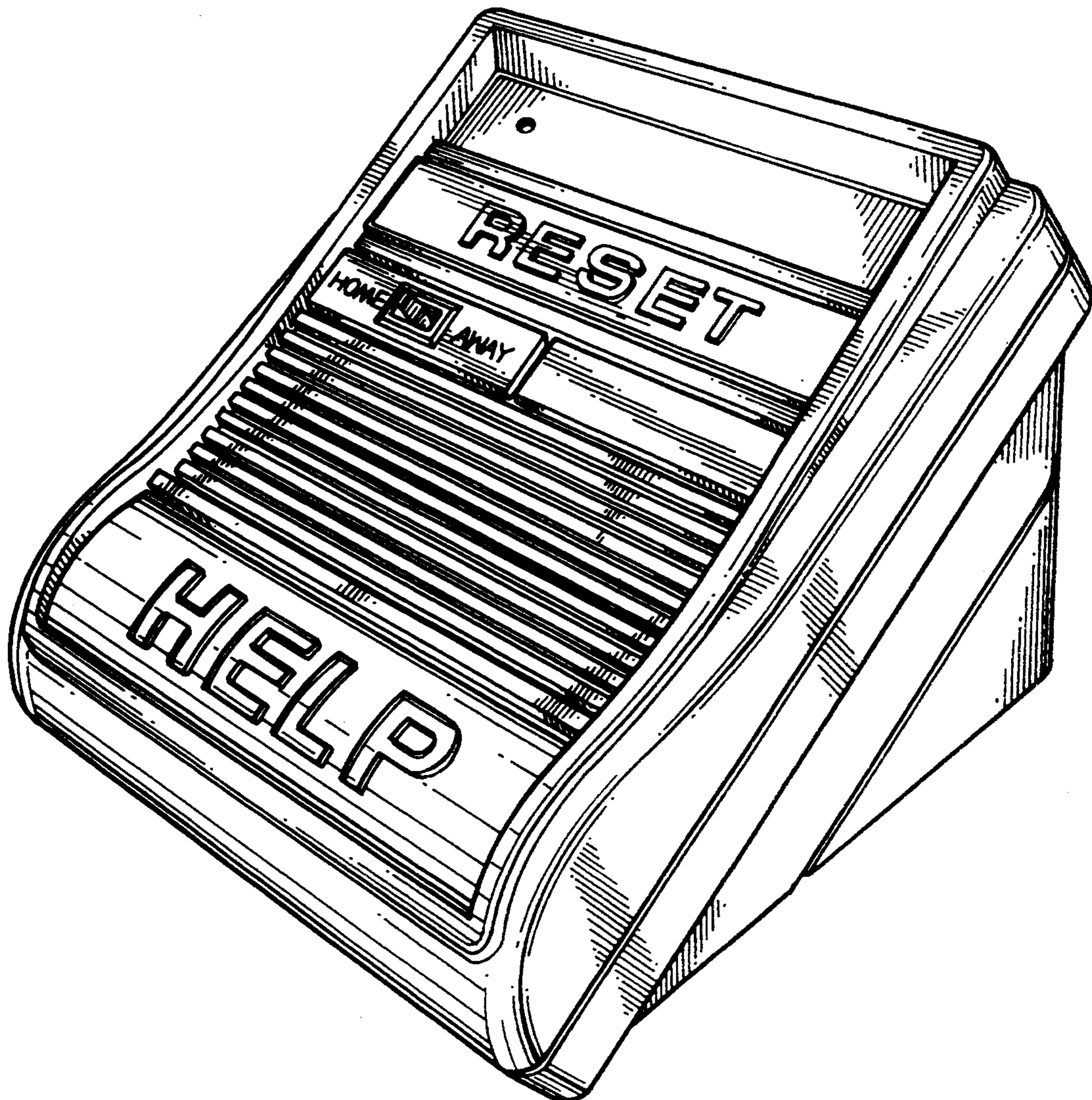
[58] **Field of Search** 340/542, 565, 566, 571,
340/572, 573, 286.07, 288; D10/75, 78, 104,
106, 116, 121

FIG. 1 is a right front perspective view of the home communicator for a personal emergency response system;
FIG. 2 is a top view thereof;
FIG. 3 is a frontal view thereof;
FIG. 4 is a right side view thereof;
FIG. 5 is a rear view thereof;
FIG. 6 is a left side view thereof; and,
FIG. 7 is a bottom view thereof.

[56] **References Cited**

U.S. PATENT DOCUMENTS

D. 313,363 1/1991 Reich et al. D10/104
3,651,512 3/1972 Summers 340/286.07



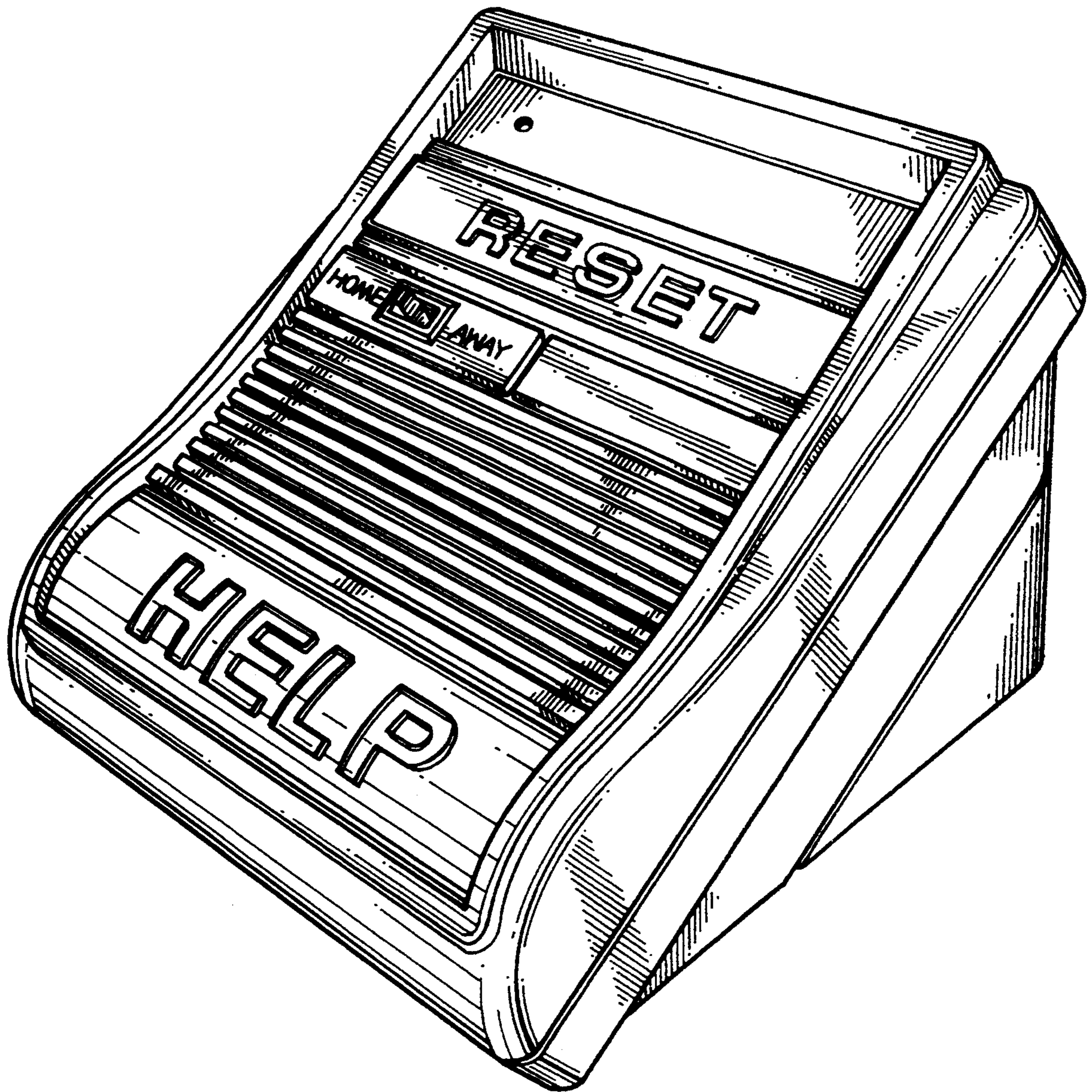


FIG. 1



FIG. 2

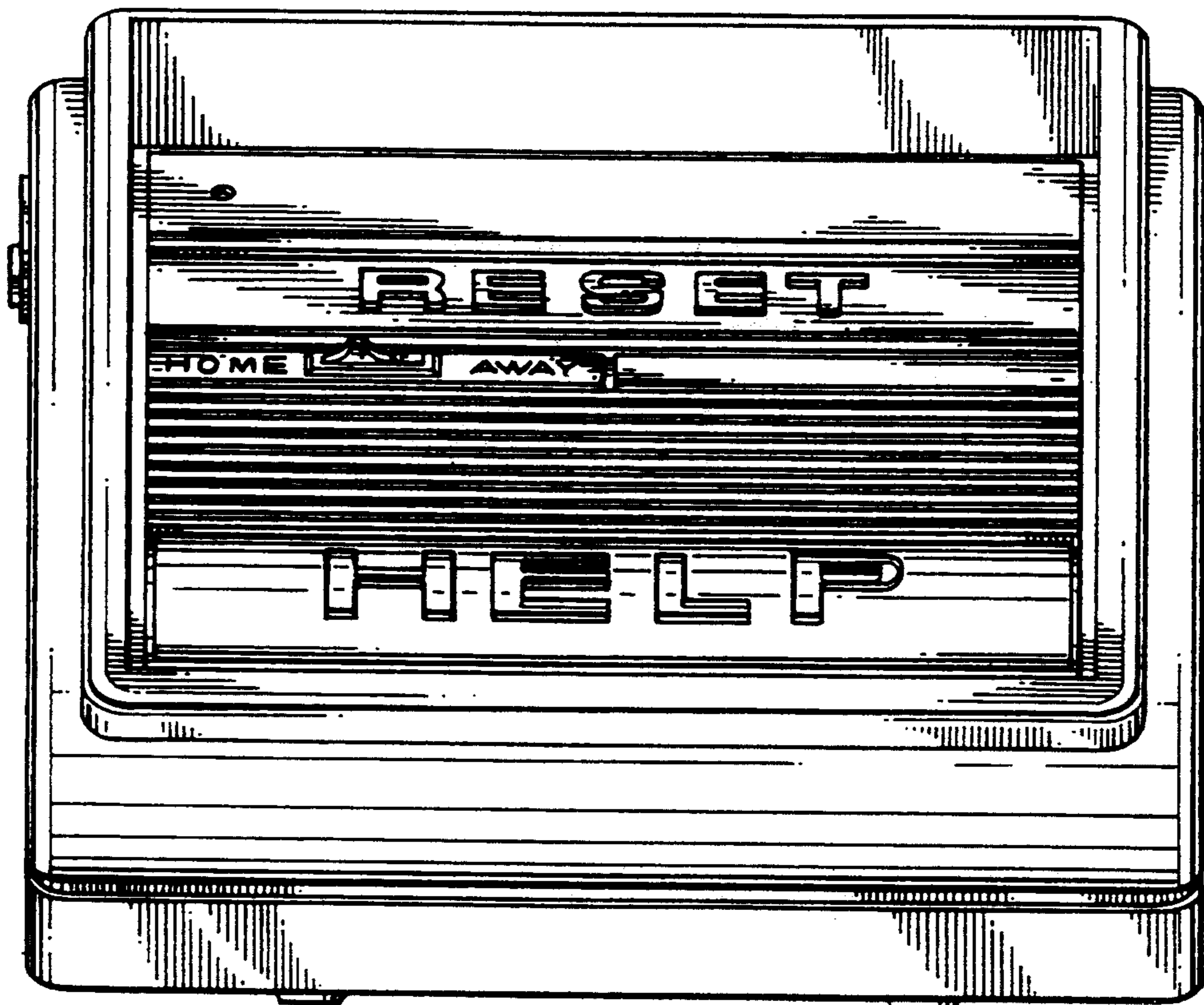


FIG. 3

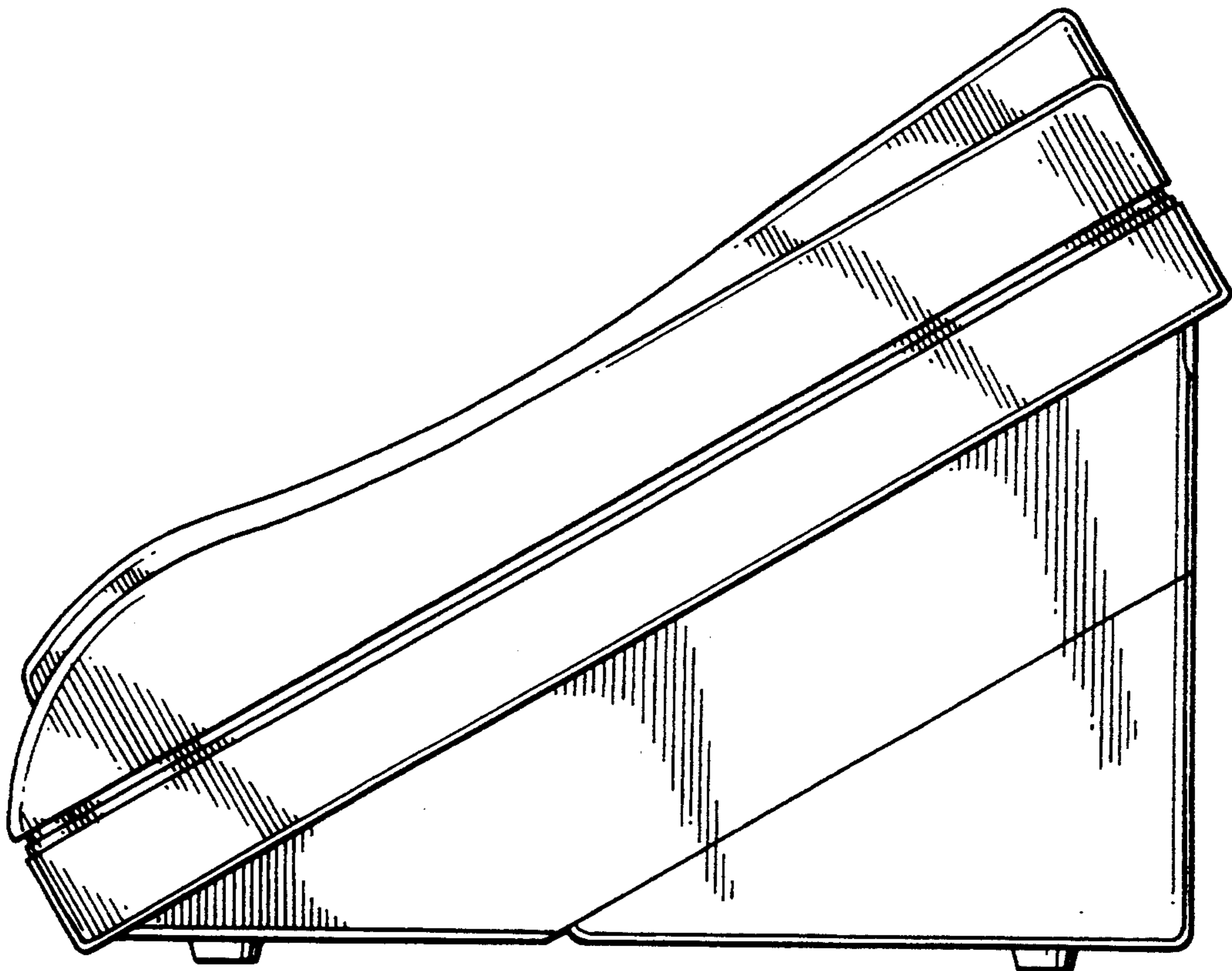


FIG. 4

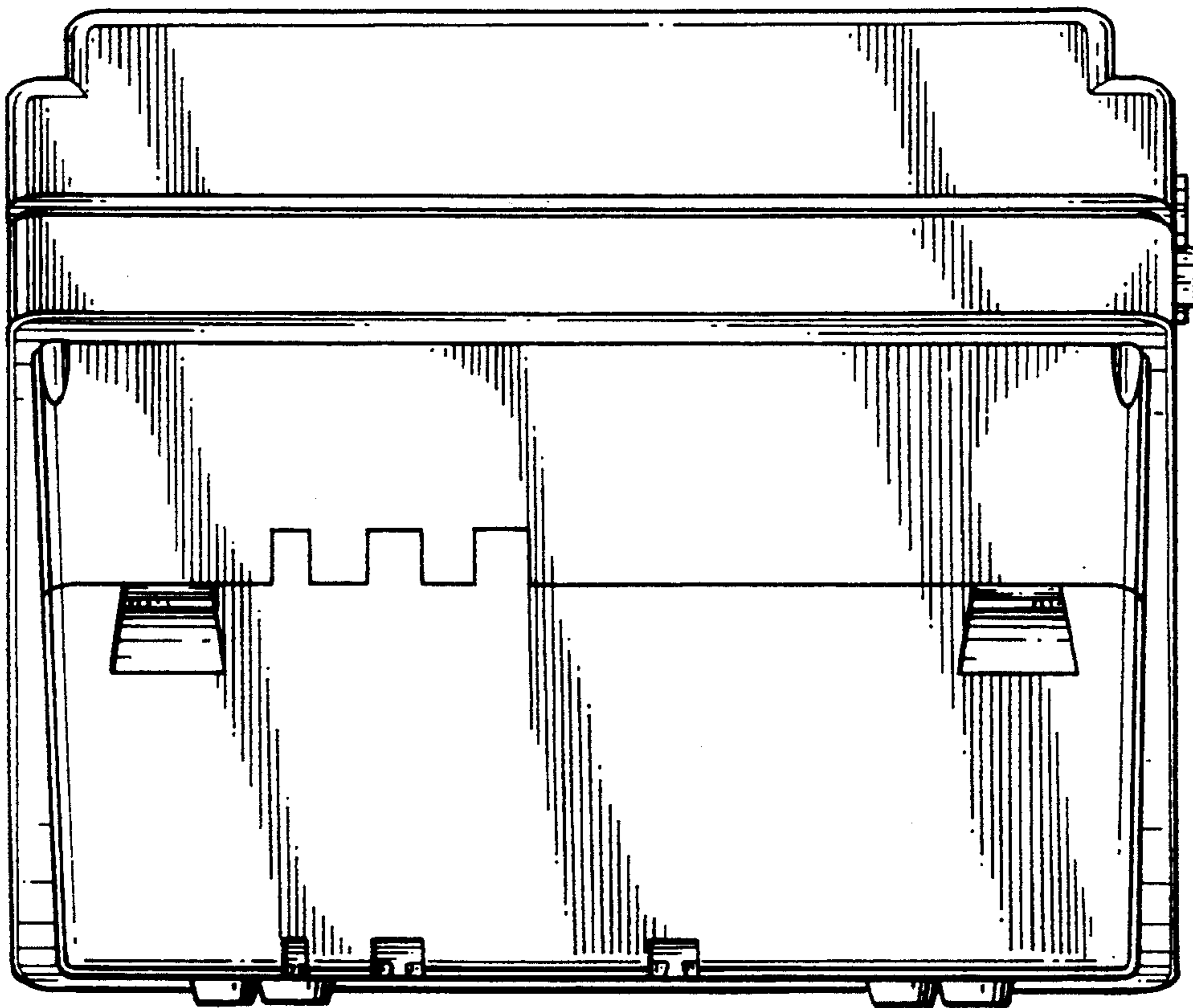


FIG. 5

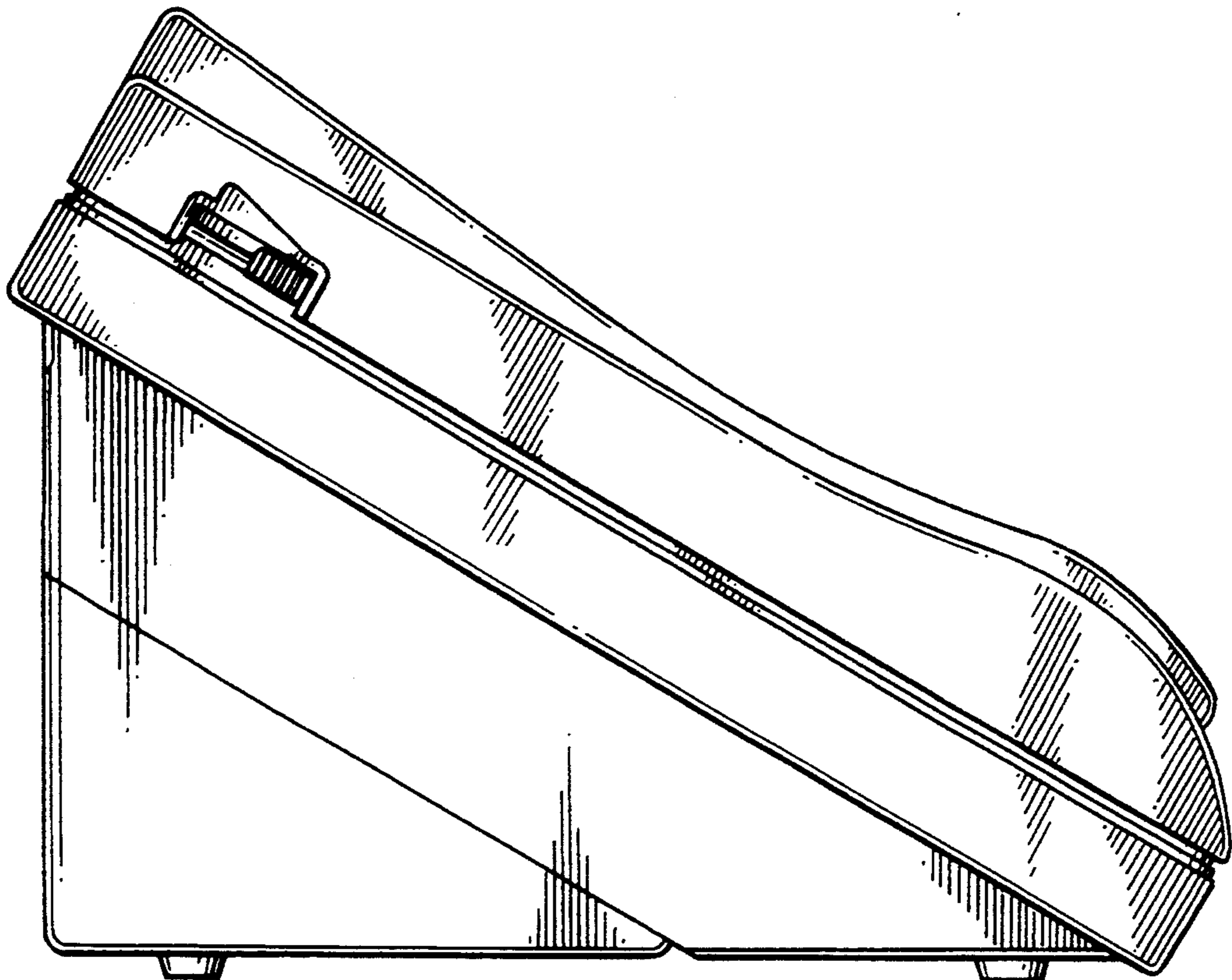


FIG. 6

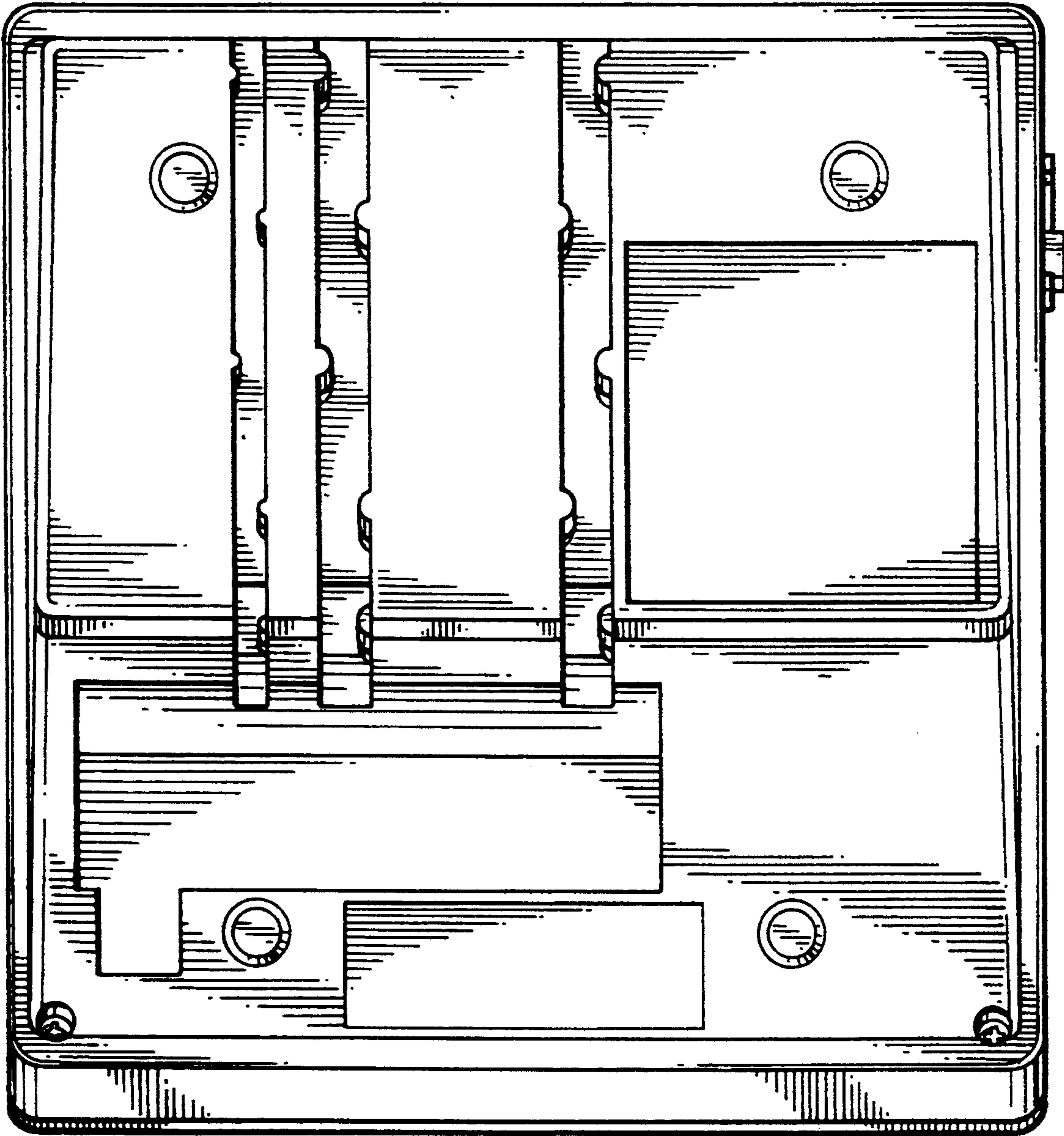


FIG. 7