



US00D349851S

United States Patent [19]

[11] Patent Number: **Des. 349,851**

Olsson

[45] Date of Patent: **** Aug. 23, 1994**

[54] **PACKAGE FOR OPTICAL DISCS**
 [75] Inventor: **Lennart Olsson, Malmö, Sweden**
 [73] Assignee: **CD-Sverige Aktiebolag, Lund, Sweden**
 [**] Term: **14 Years**

4,653,639 3/1987 Traynor 206/312 X
 4,694,986 9/1987 Chou 229/23 R X
 4,890,728 1/1990 Grimsley 206/232 X
 5,101,973 4/1992 Martinez .
 5,188,229 2/1993 Bernstein 206/310 X

[21] Appl. No.: **375**
 [22] Filed: **Oct. 13, 1992**

FOREIGN PATENT DOCUMENTS

0503171 9/1992 European Pat. Off. .
 2176474 11/1973 France .

[30] **Foreign Application Priority Data**
 Apr. 13, 1992 [SE] Sweden 920837
 [52] U.S. Cl. **D9/422; D9/433; D9/346**
 [58] **Field of Search** D9/346, 433, 432, 341, D9/337; D3/35; 206/307, 309-313, 444, 472, 232; 229/125.17, 125.09, 87.01, 925, 40

Primary Examiner—Prabhakar G. Deshmukh
Attorney, Agent, or Firm—Kane, Dalsimer, Sullivan, Kurucz, Levy, Eisele and Richard

[56] **References Cited**
U.S. PATENT DOCUMENTS

[57] **CLAIM**
 The ornamental design for a package for optical discs, as shown and described.

D. 272,600 2/1984 Kubas D9/346
 D. 316,181 4/1991 Clifton D3/35
 2,826,296 3/1958 Mullinix 206/45.31
 3,595,383 7/1971 Boylan .

DESCRIPTION

FIG. 1 is a top plan view of a package for optical discs showing my new design in an unfolded condition; FIG. 2 is a top perspective view thereof in an assembled condition; and, FIG. 3 is a bottom perspective view thereof in an assembled condition.
 The broken lines represent break lines.

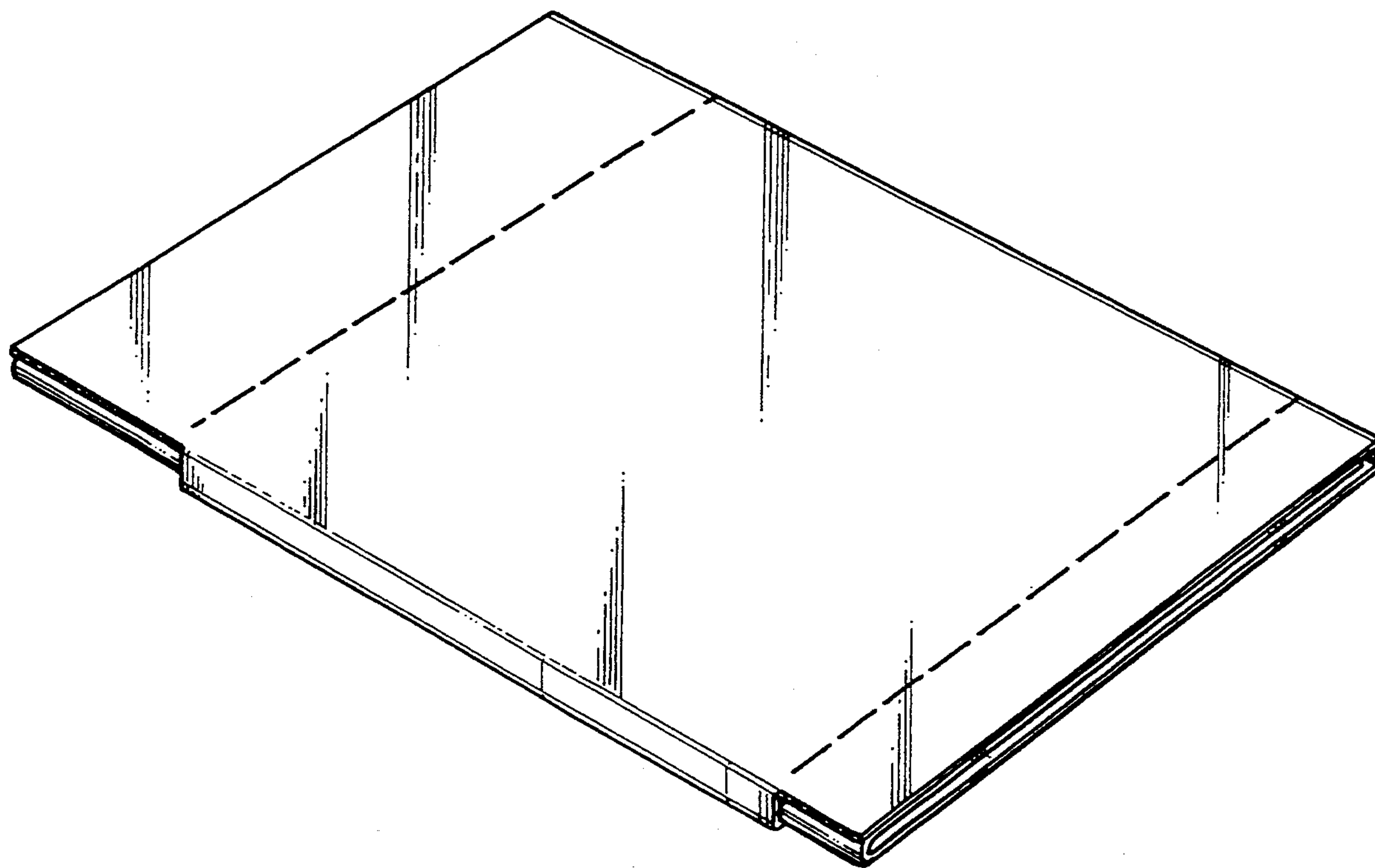
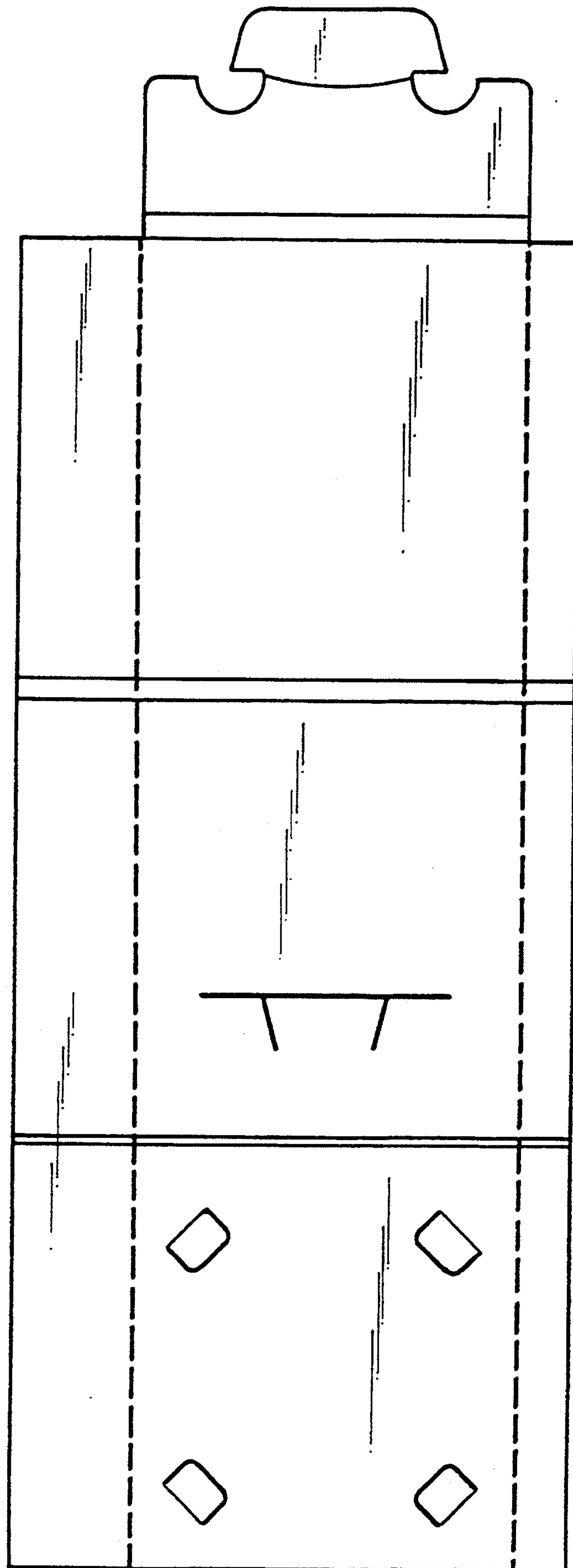


FIG.1



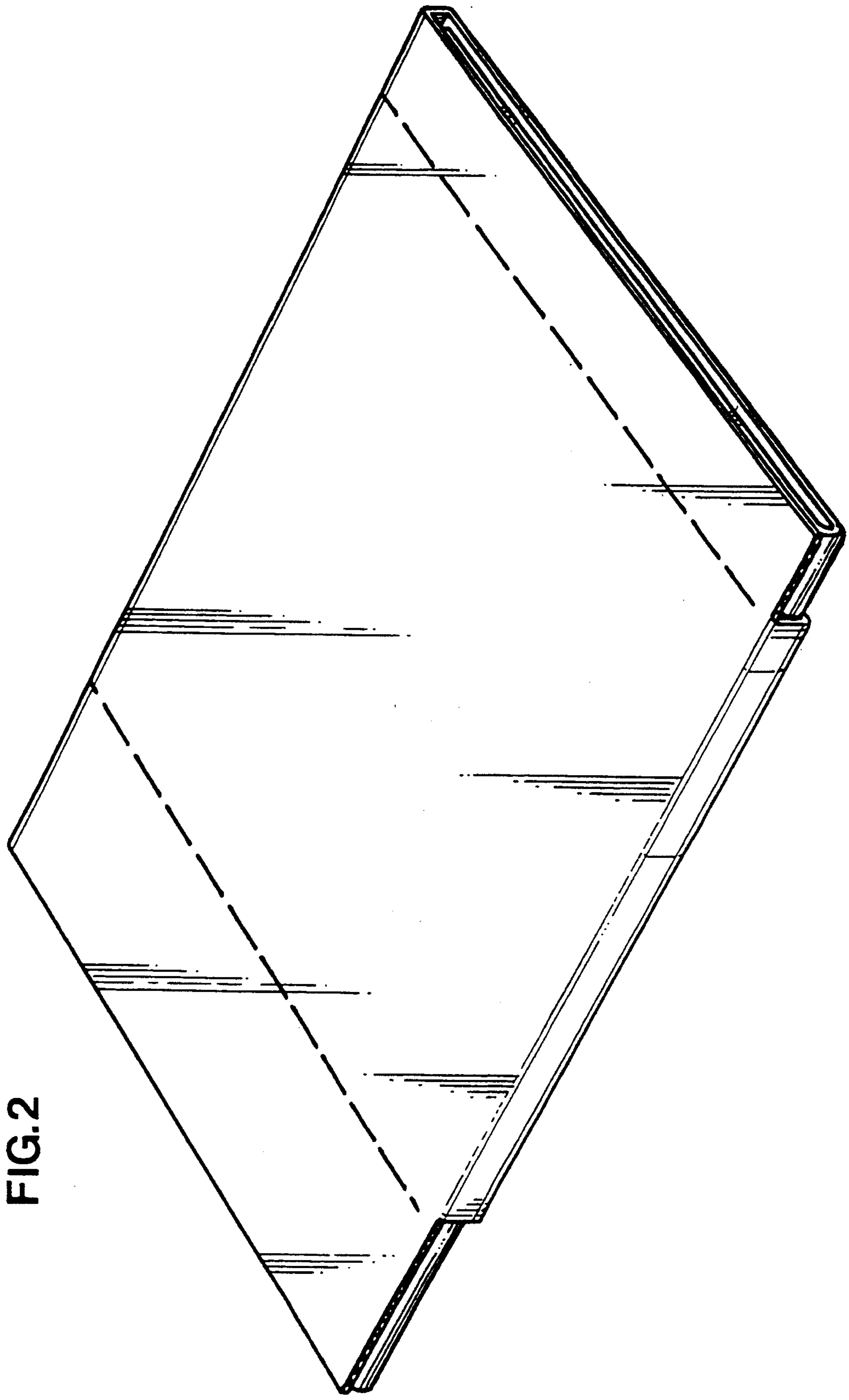


FIG.2

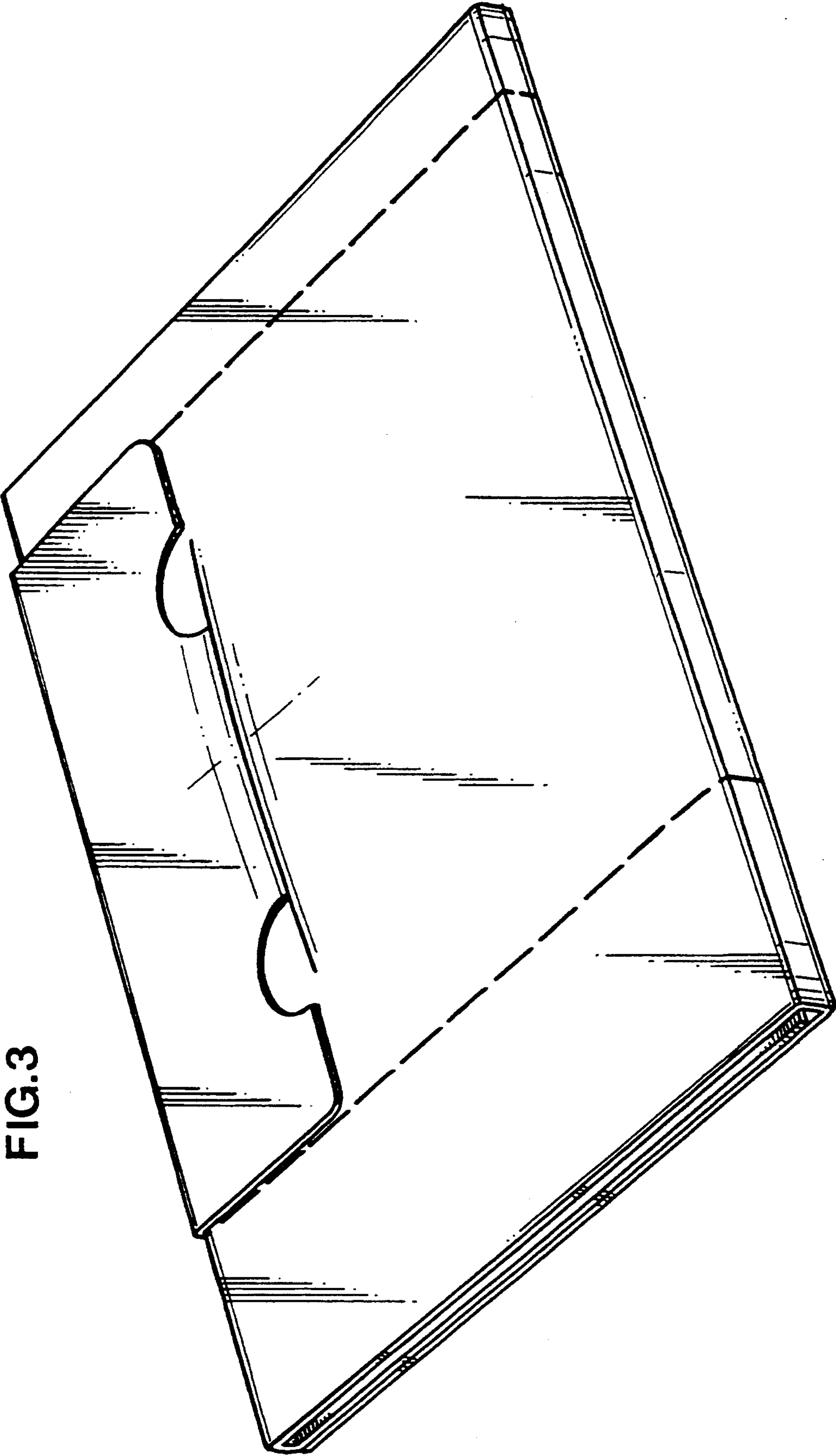


FIG.3