



US00D349844S

United States Patent [19]
Jaremkof

[11] **Patent Number: Des. 349,844**
[45] **Date of Patent: ** Aug. 23, 1994**

[54] **A PAIR OF GRILL MOUNTING BRACKETS**
[75] **Inventor: Harry K. Jaremkof, Wayne, N.J.**
[73] **Assignee: GCHM Enterprises, Inc., Boonton, N.J.**
[**] **Term: 14 Years**
[21] **Appl. No.: 9,972**
[22] **Filed: Jun. 28, 1993**

4,809,940 3/1989 Trestyn 211/187 X

Primary Examiner—Wallace R. Burke
Assistant Examiner—H. Baynham
Attorney, Agent, or Firm—Siegmar Silber

[57] **CLAIM**

The ornamental design for a pair of grill mounting brackets, as shown and described.

DESCRIPTION

FIG. 1 is a perspective view of a pair of grill mounting brackets showing my new design in use;
FIG. 2 is a side elevational view of one bracket in the pair with the side view of the opposite bracket being a mirror image thereof;
FIG. 3 is a front elevational view thereof;
FIG. 4 is a rear elevational view thereof;
FIG. 5 is a top plan view thereof; and,
FIG. 6 is a bottom plan view thereof.
The broken line showing of a grill and structure is for illustrative purposes only and forms no part of the claimed design.
Only one bracket of the pair is shown in the remaining views for ease of illustration.

Related U.S. Application Data

[63] Continuation-in-part of Ser. No. 4,783, Feb. 12, 1993.
[52] **U.S. Cl.** **D8/380; D8/381**
[58] **Field of Search** **D8/380-381;**
248/235, 246-247, 250, 238

References Cited

U.S. PATENT DOCUMENTS

1,101,849 6/1914 **Hines** 248/243
1,229,745 6/1917 **Hahn** 248/235
1,599,653 9/1926 **Cranston** 248/235
2,496,057 1/1950 **Lombard** 248/238

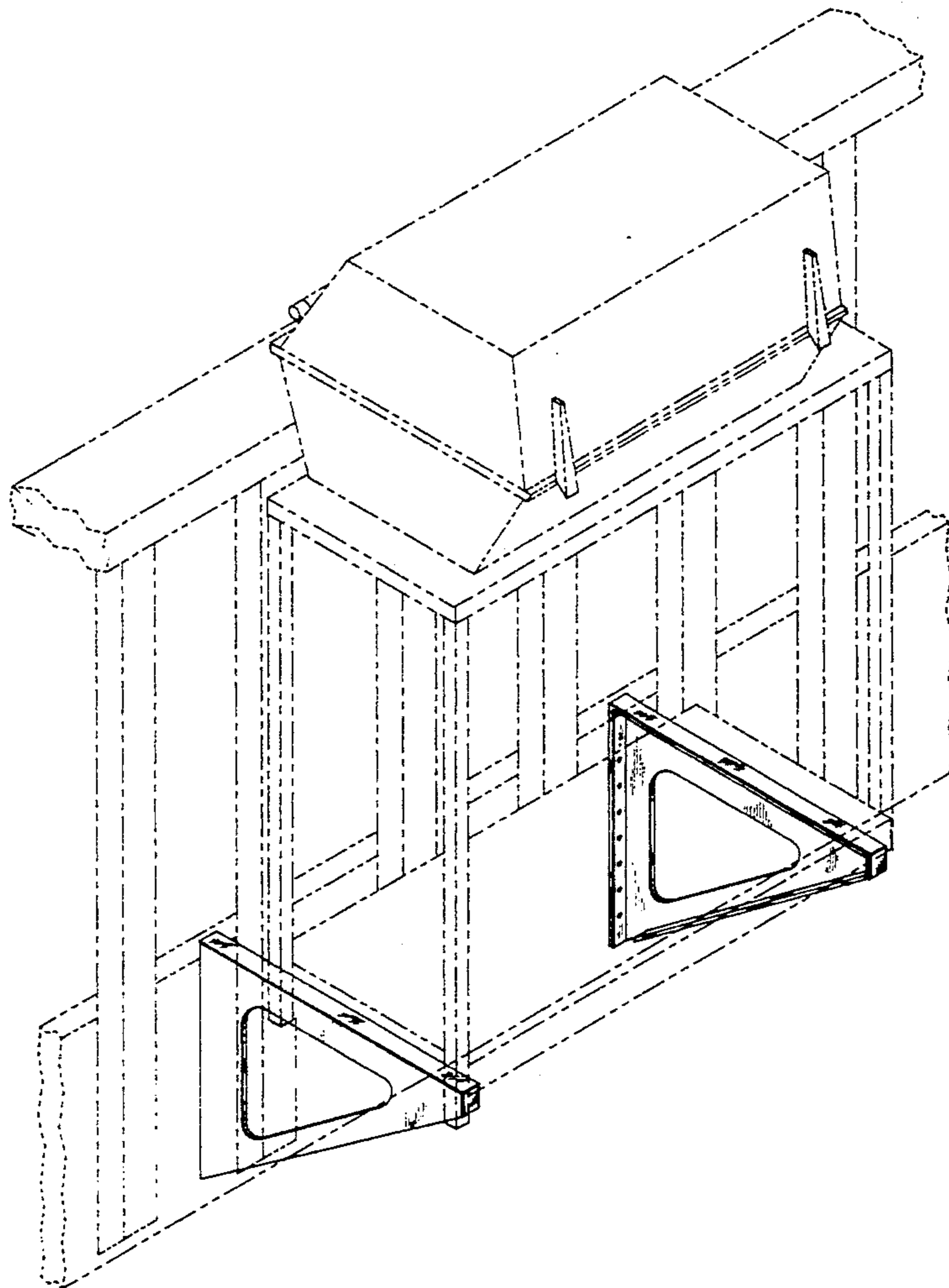


FIG. 1

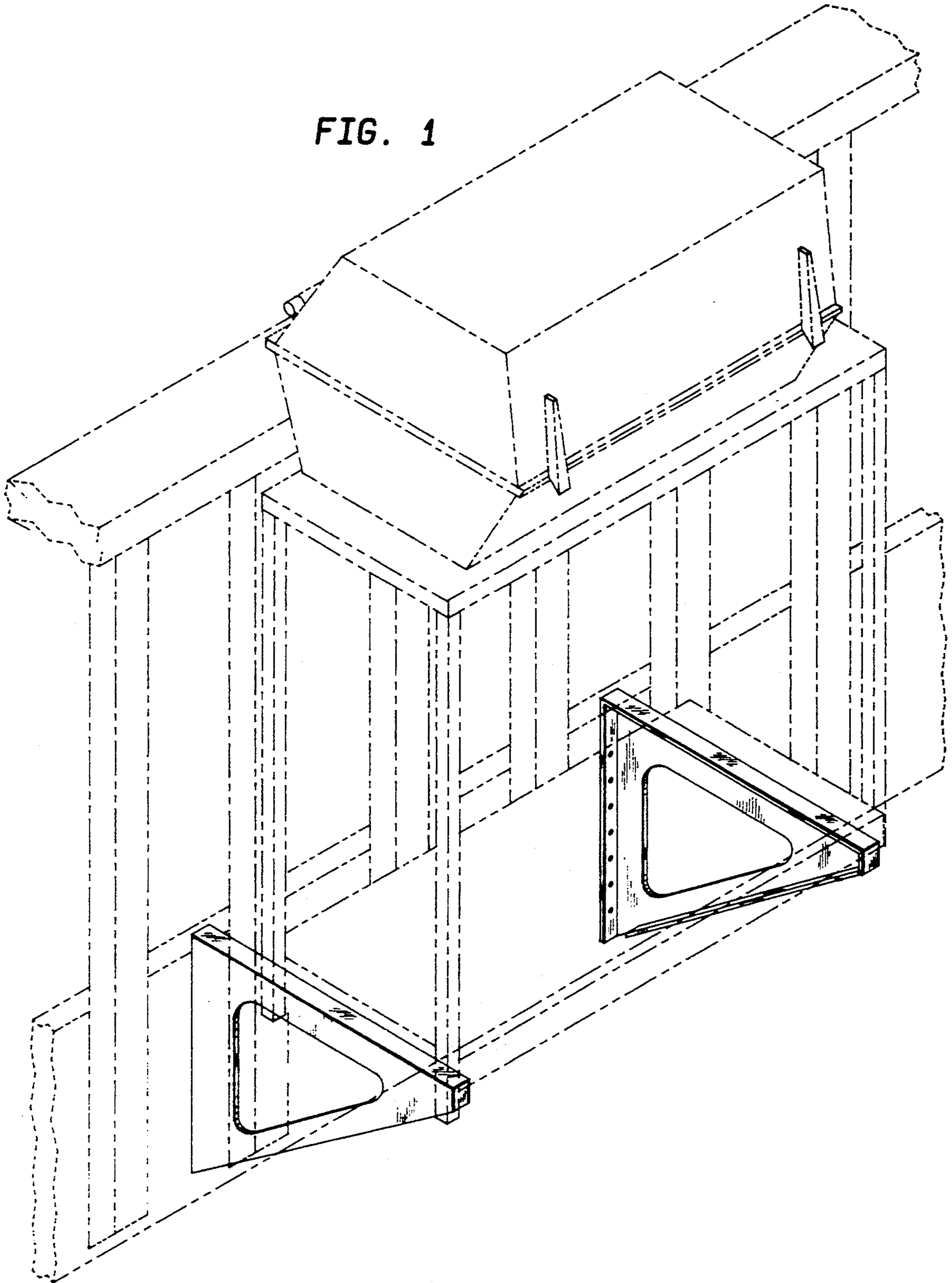


FIG. 2

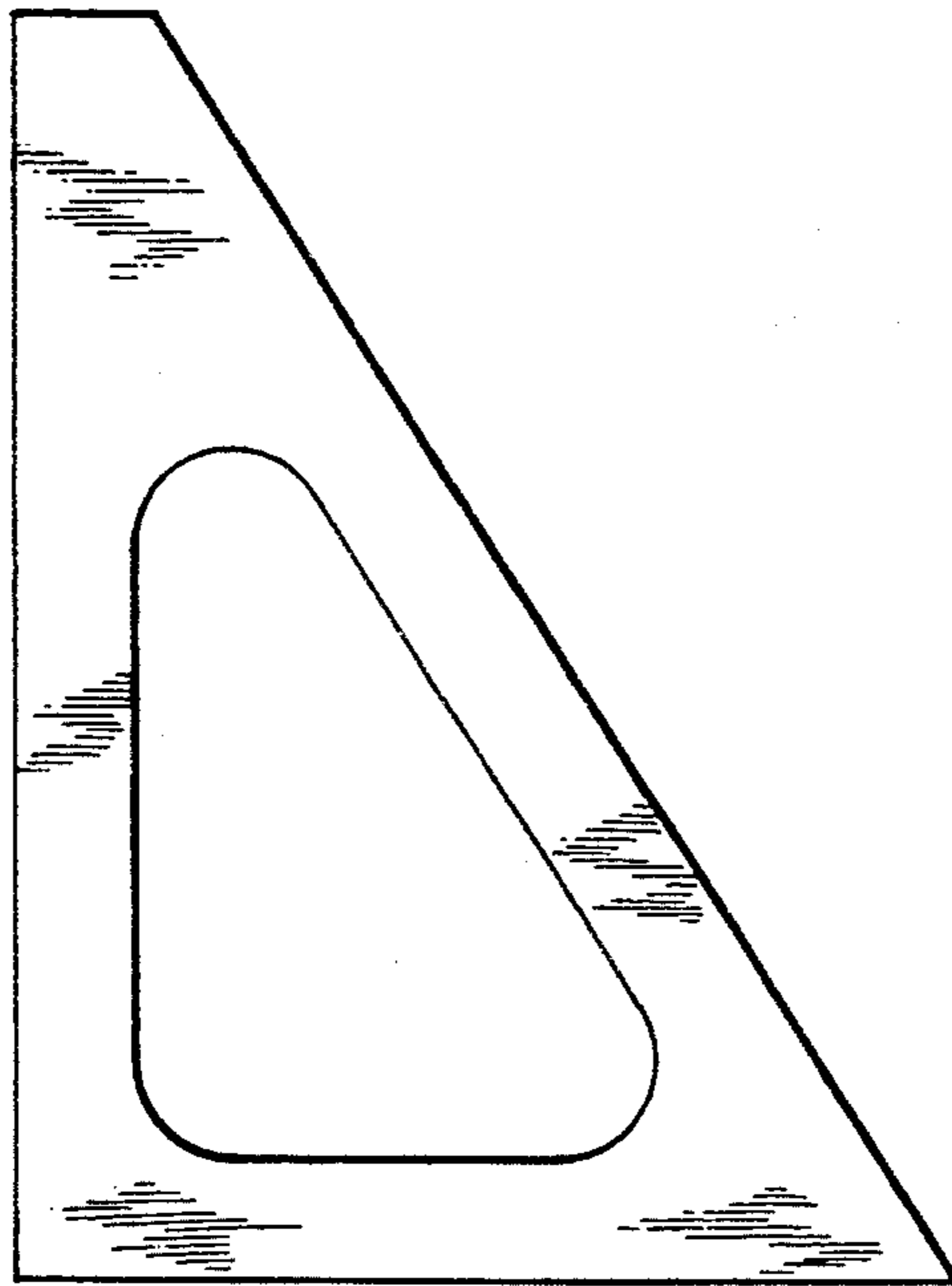


FIG. 3

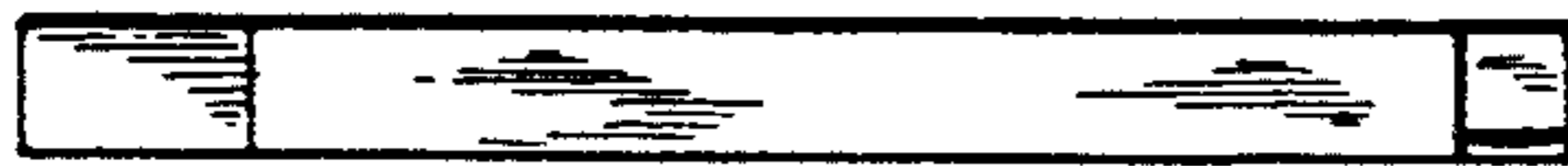


FIG. 4



FIG. 5



FIG. 6

