



US00D349838S

# United States Patent [19]

[11] Patent Number: Des. 349,838

Barton et al.

[45] Date of Patent: \*\* Aug. 23, 1994

[54] PULL HANDLE

5,078,461 1/1992 Beck et al. .

[75] Inventors: **Scott N. Barton**, Grand Rapids, Mich.; **William A. Lee**, Wheaton, Ill.

### FOREIGN PATENT DOCUMENTS

957877 5/1964 United Kingdom ..... 16/121  
2234165 1/1991 United Kingdom ..... 16/110 R

[73] Assignee: **Steelcase, Inc.**, Grand Rapids, Mich.

[\*\*] Term: **14 Years**

### OTHER PUBLICATIONS

Exhibit A includes three photographs of a front mounted pull handle for a cabinet drawer, the pull handle and cabinet being manufactured by Shaw Walker under the name Tempo III, one photograph showing a front view of a three-drawer cabinet including pull handles, a second photograph showing a front view of a single drawer including a pull handle, a third photograph showing a side view of the pull handle removed from the drawer (undated).

[21] Appl. No.: **396**

[22] Filed: **Oct. 9, 1992**

[52] U.S. Cl. .... **D8/313; D8/301**

[58] Field of Search ..... **D8/300, 313, 314, 301; 16/110 R, 121, 124; 40/325**

[56] **References Cited**

### U.S. PATENT DOCUMENTS

- D. 150,912 9/1948 Underwood .
- D. 173,195 10/1954 Duncan ..... D8/313
- D. 195,518 6/1963 Bullock et al. .
- D. 253,031 10/1979 Gidseg .
- D. 303,617 9/1989 Russell et al. .
- D. 312,738 12/1990 Newhouse .
- 1,304,700 5/1919 Otte .
- 2,541,585 2/1951 Jones .
- 2,793,386 5/1957 Muhlhauser ..... D8/313
- 3,122,402 2/1964 Bullock et al. .
- 3,300,887 1/1967 Cafiero .
- 3,321,855 5/1967 Phelps .
- 3,497,280 2/1970 Olree et al. .
- 3,742,554 7/1973 Houtman .
- 3,862,506 1/1975 Drenten et al. .
- 4,040,695 8/1977 Brann .
- 4,090,756 5/1978 Frey et al. .
- 4,090,757 5/1978 Frey et al. .
- 4,153,314 5/1979 Prater .
- 4,692,984 9/1987 McKernan et al. .
- 5,074,009 12/1991 Simonton et al. .

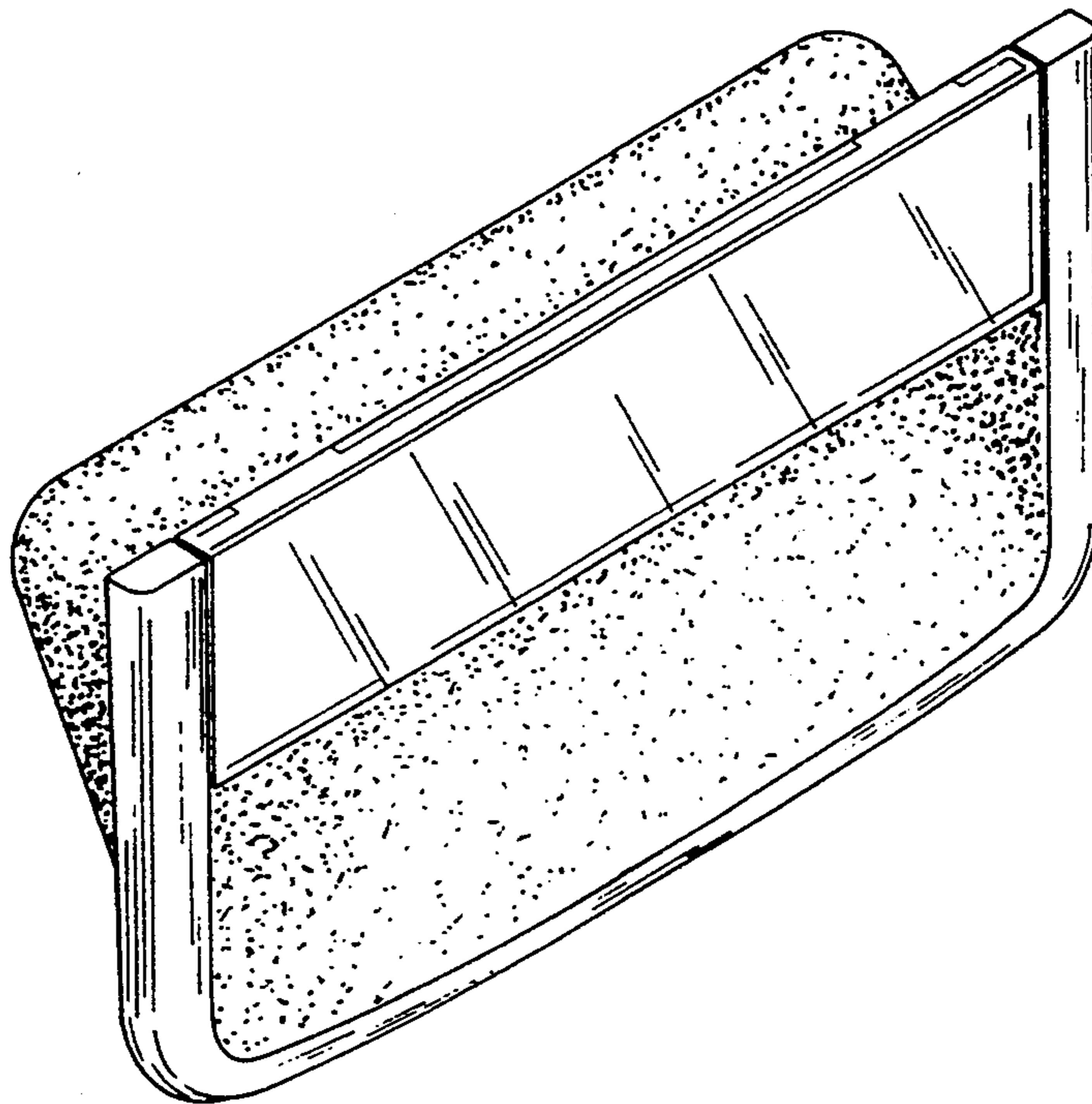
*Primary Examiner*—B. J. Bullock  
*Attorney, Agent, or Firm*—Price, Heneveld, Cooper, DeWitt & Litton

[57] **CLAIM**

The ornamental design for a pull handle, as shown and described.

### DESCRIPTION

FIG. 1 is a perspective view of a pull handle showing my new design;  
FIG. 2 is a front elevational view;  
FIG. 3 is a right-hand side elevation view, wherein the left-hand side elevational view is substantially identical;  
FIG. 4 is a top plan view;  
FIG. 5 is a bottom plan view;  
FIG. 6 is an enlarged sectional view taken in the direction of arrows on line VI—VI in FIG. 2; and,  
FIG. 7 is an enlarged fragmentary sectional view taken on line VII—VII of FIG. 2.



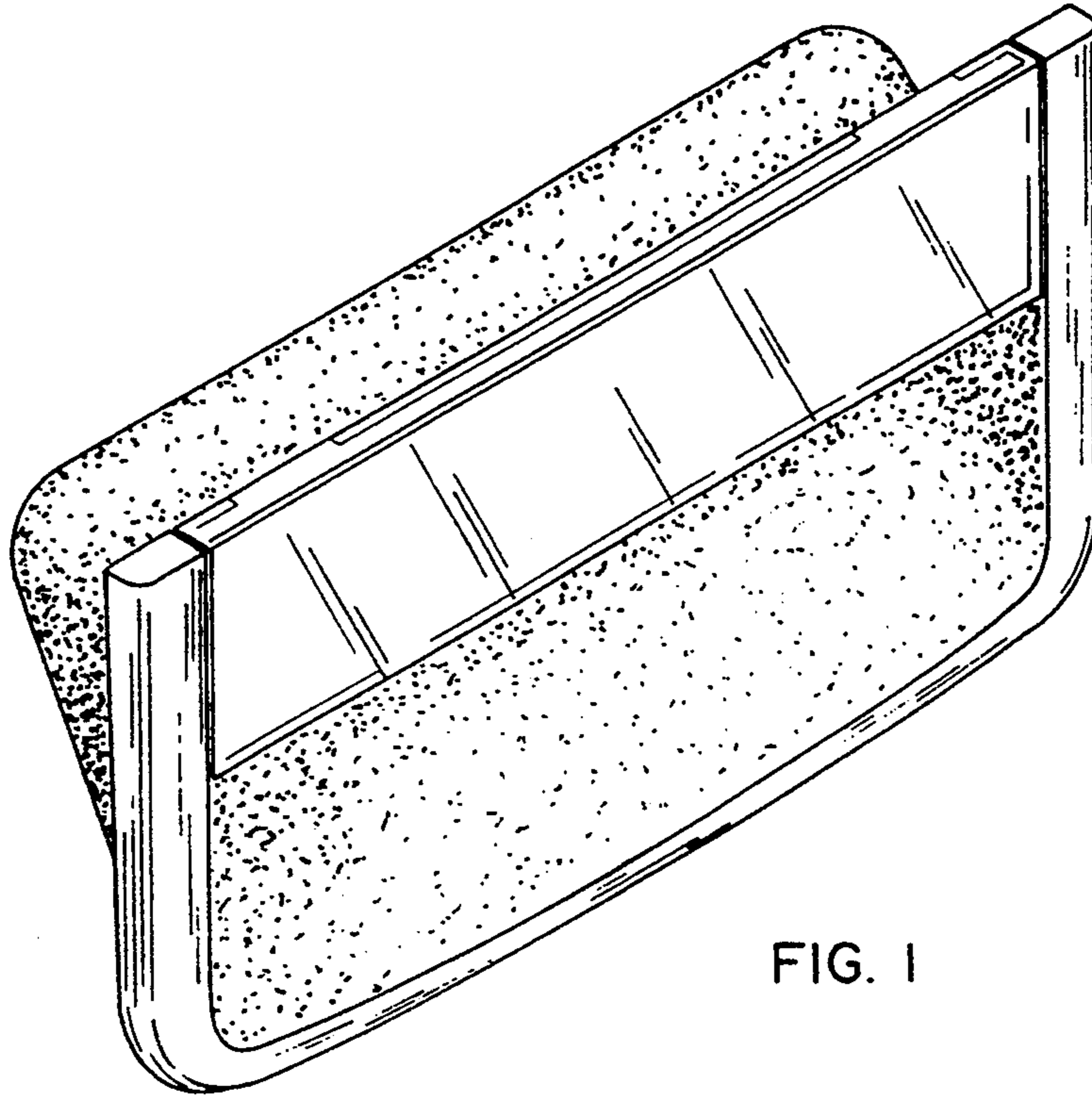


FIG. 1

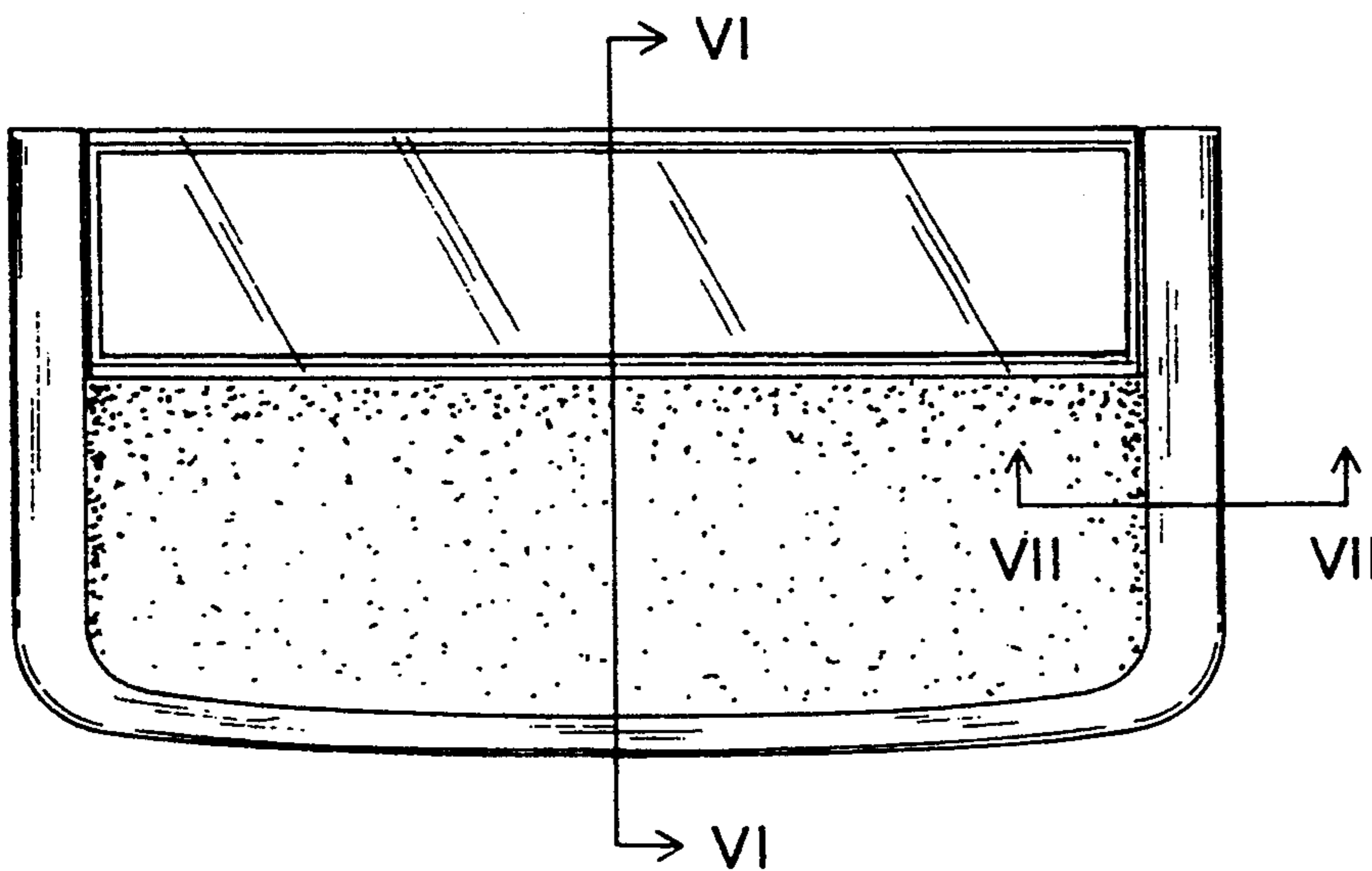


FIG. 2

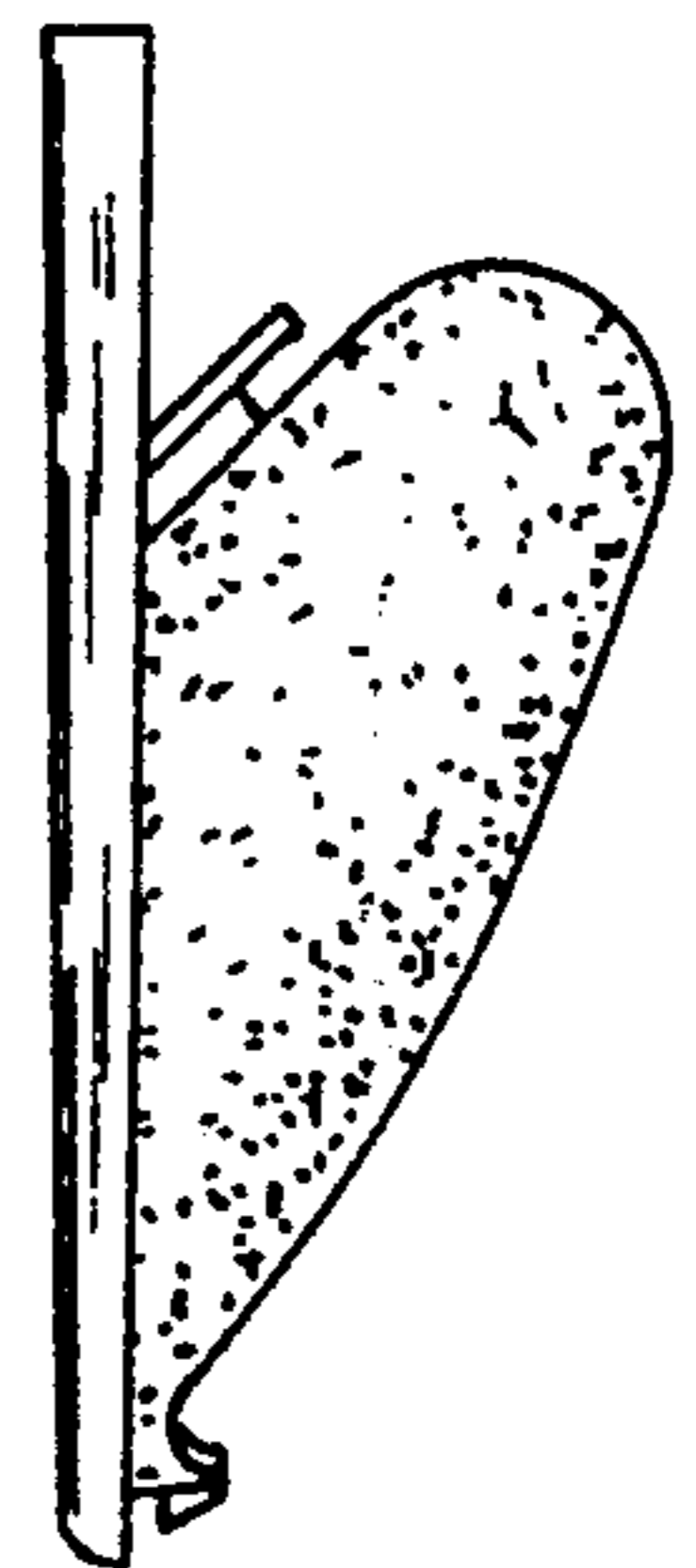


FIG. 3

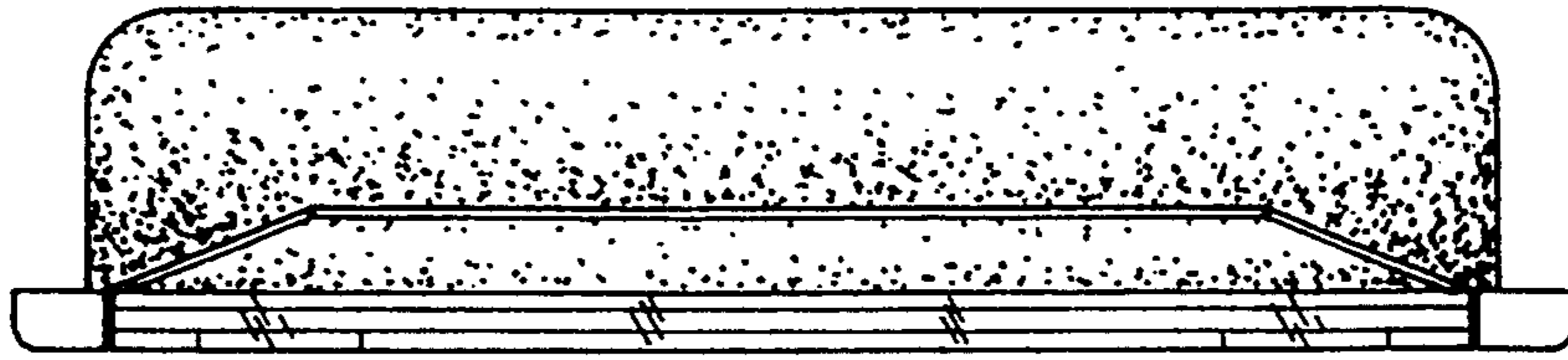


FIG. 4

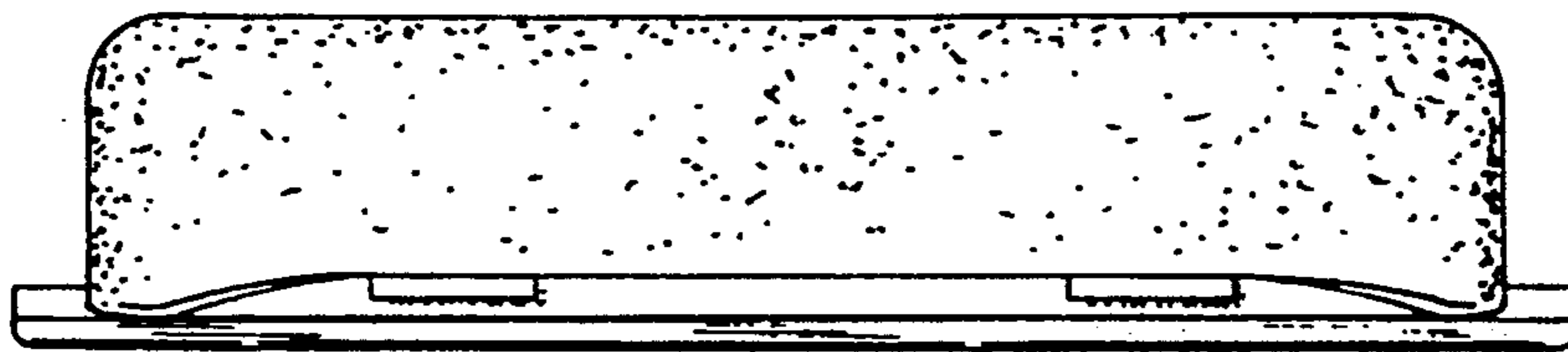


FIG. 5

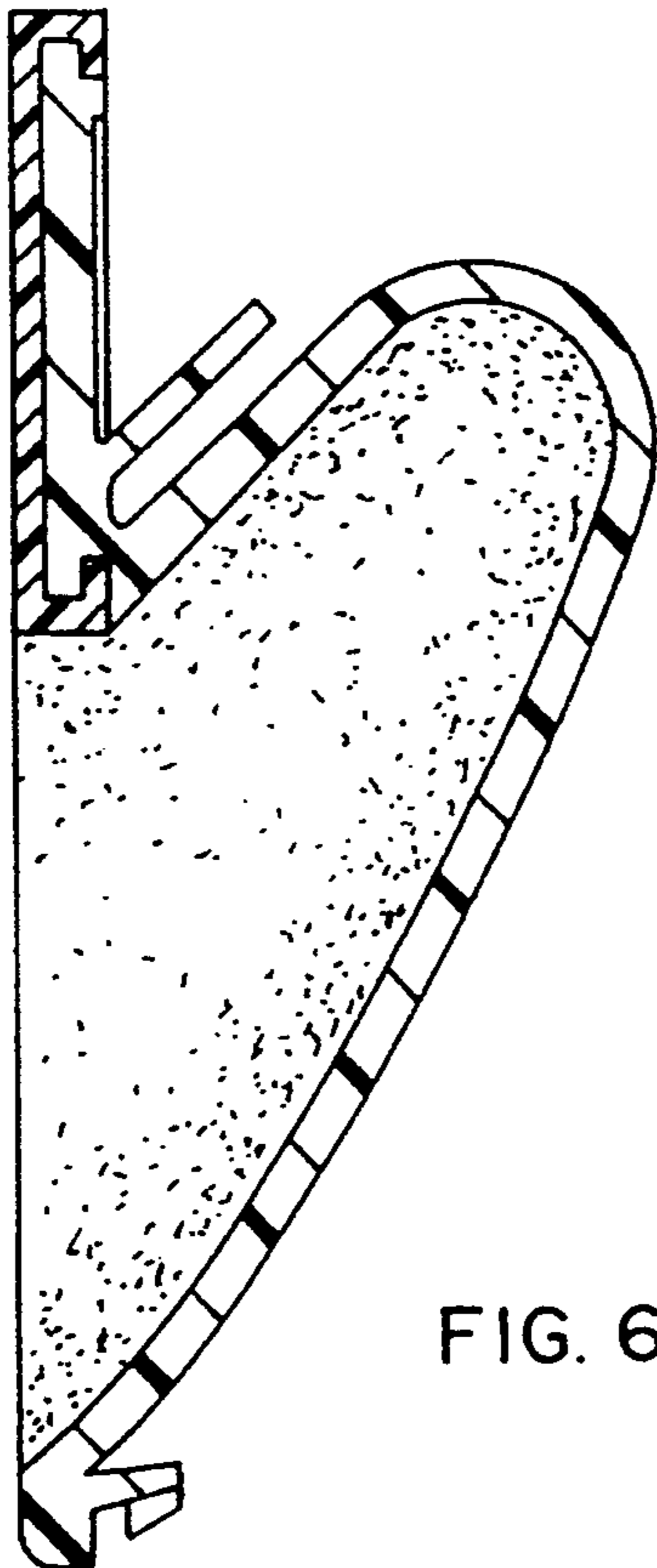


FIG. 6

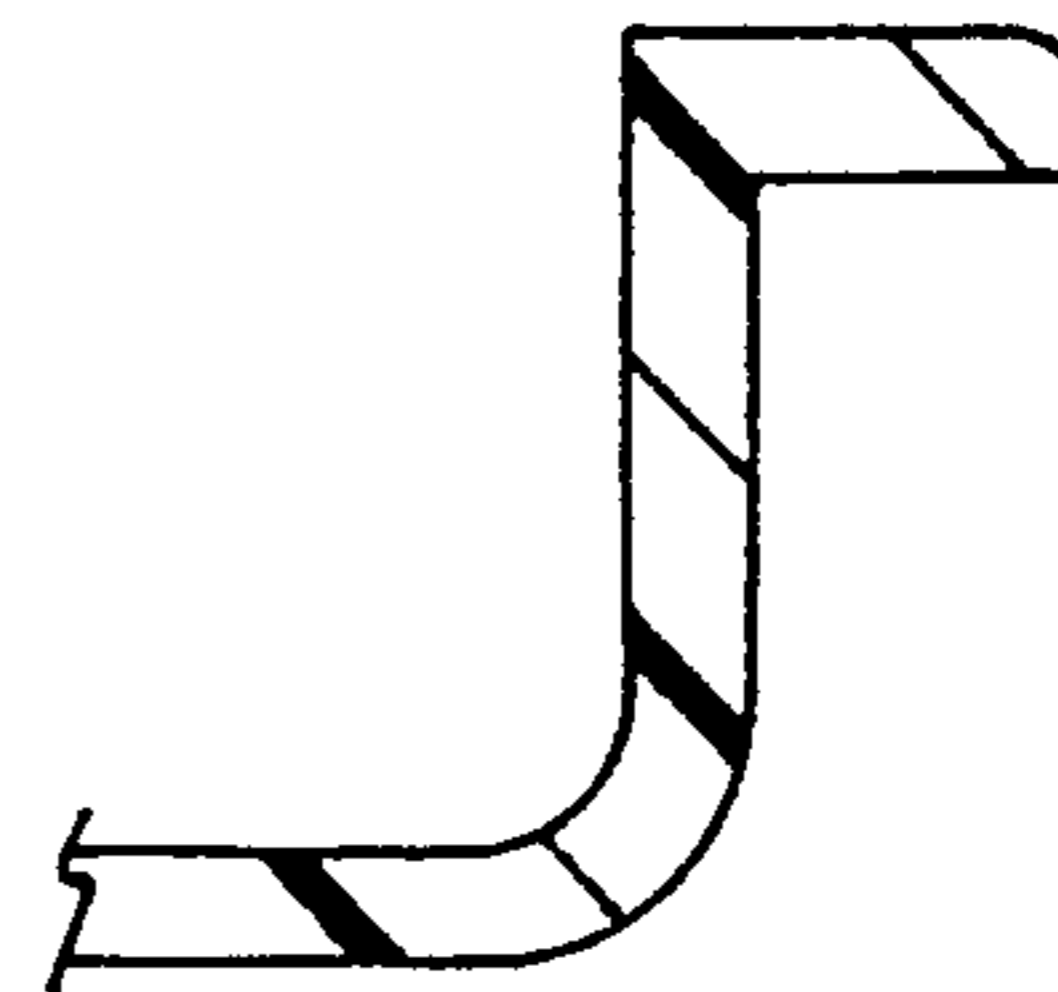


FIG. 7