



US00D349833S

# United States Patent [19]

Enos

[11] Patent Number: Des. 349,833

[45] Date of Patent: \*\* Aug. 23, 1994

[54] COFFEE FILTER RETAINER

[76] Inventor: Gary Enos, 2843 Pikake St., Lihue, Hi. 96766

[\*\*] Term: 14 Years

[21] Appl. No.: 1,676

[22] Filed: Nov. 20, 1992

[52] U.S. Cl. .... D7/400; D7/213

[58] Field of Search ..... D7/400, 399, 213, 300, D7/397, 309; 210/473, 474, 479, 471, 482, 478, 480, 448, 452, 464; 99/295, 306, 299, 323, 279, 300

4,963,262 10/1990 Johnstone ..... 210/474  
5,252,211 10/1993 Searfoss, Jr. .... 210/478 X

Primary Examiner—Alan P. Douglas  
Assistant Examiner—M. N. Pandozzi  
Attorney, Agent, or Firm—Terry M. Gernstein

[57] CLAIM

The ornamental design for a coffee filter retainer, as shown and described.

DESCRIPTION

FIG. 1 is a front, top and side perspective view of the coffee filter retainer embodying the design of the present invention;

FIG. 2 is a front elevational view thereof, the rear being a mirror image of the front shown in FIG. 2;

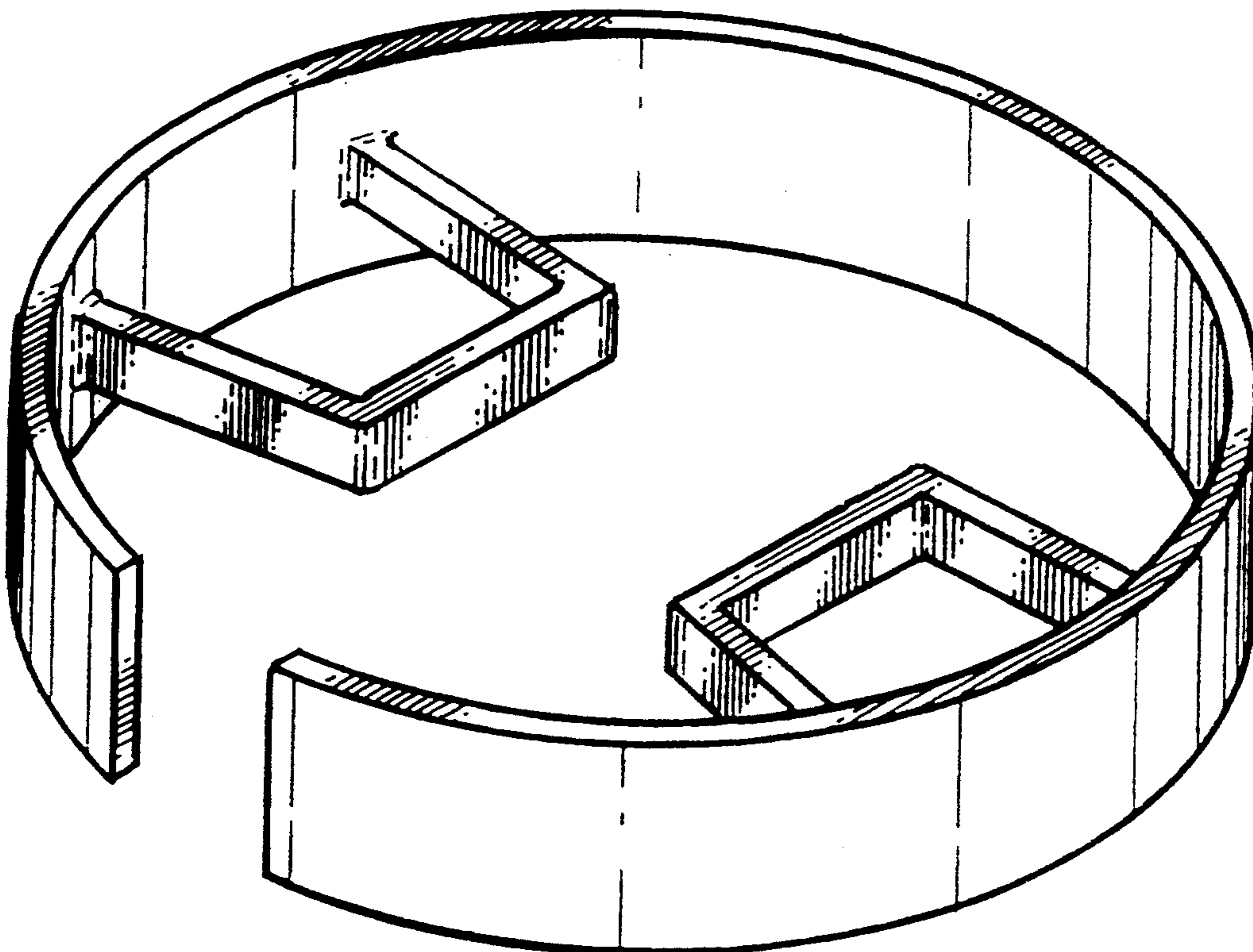
FIG. 3 is a side elevational view thereof, the side opposite being a mirror image of the side shown in FIG. 3; and,

FIG. 4 is a top plan view thereof, the bottom view being a mirror image of the top view shown in FIG. 4.

[56] References Cited

U.S. PATENT DOCUMENTS

D. 317,388	6/1991	White	.....	D7/400
D. 341,059	11/1993	Watson	.....	D7/399 X
4,656,932	4/1987	Kopp	.....	D7/400 X
4,728,425	3/1988	Sandvig	.....	210/477
4,885,987	12/1989	Franke et al.	.....	210/479 X



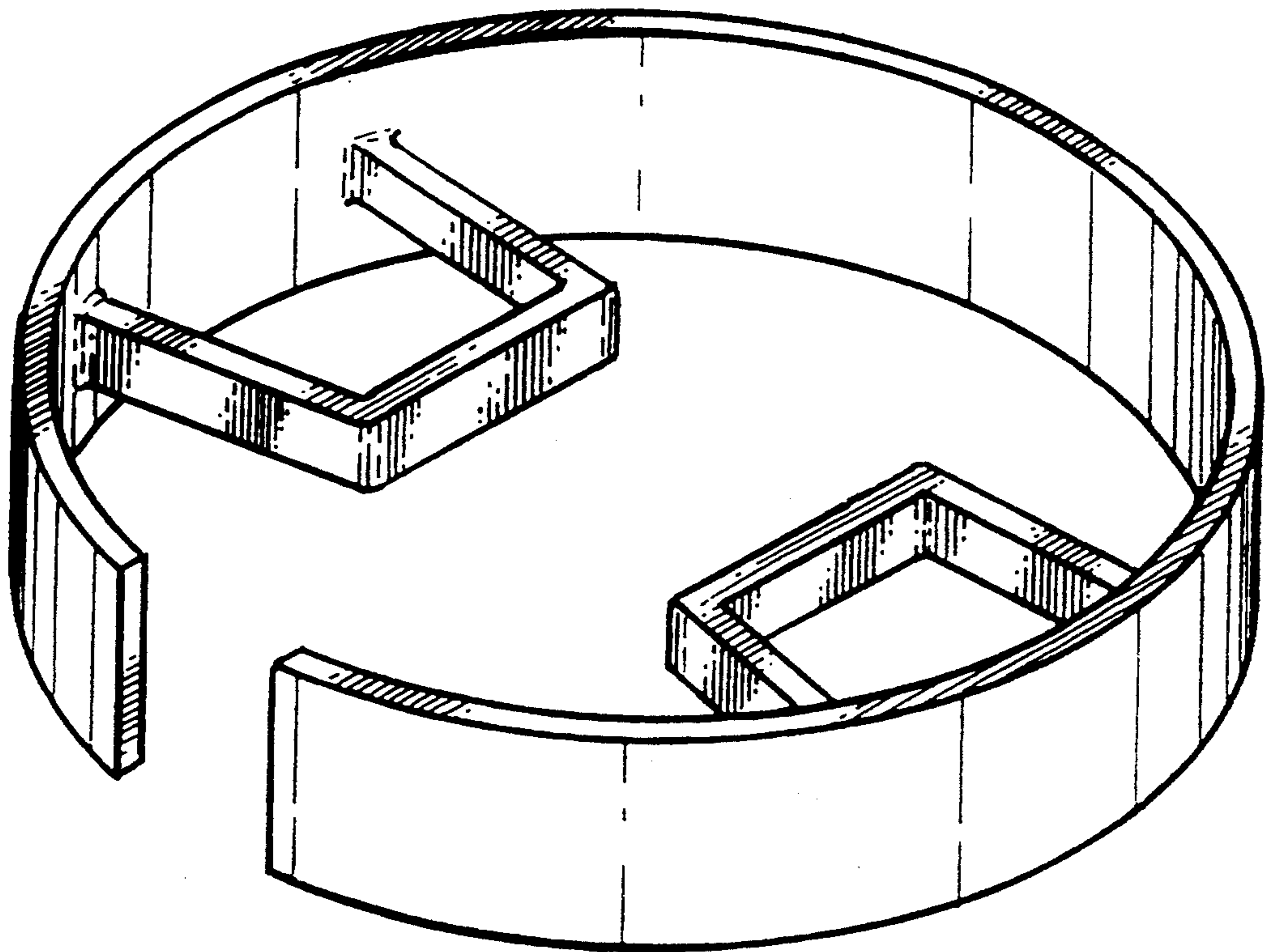


FIG. 1

FIG. 2

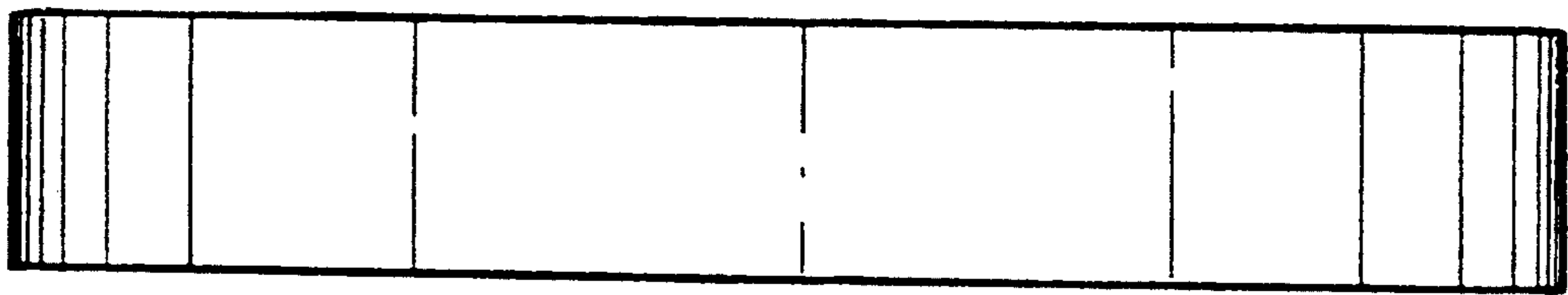
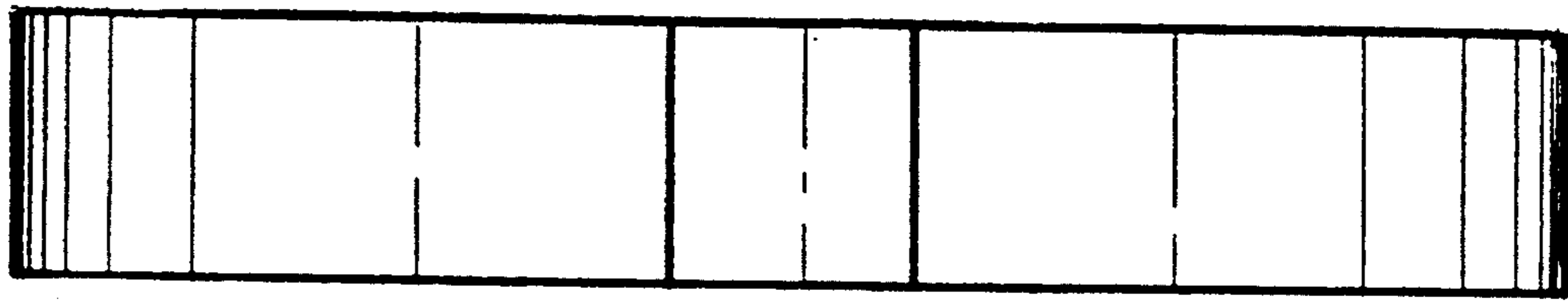


FIG. 3

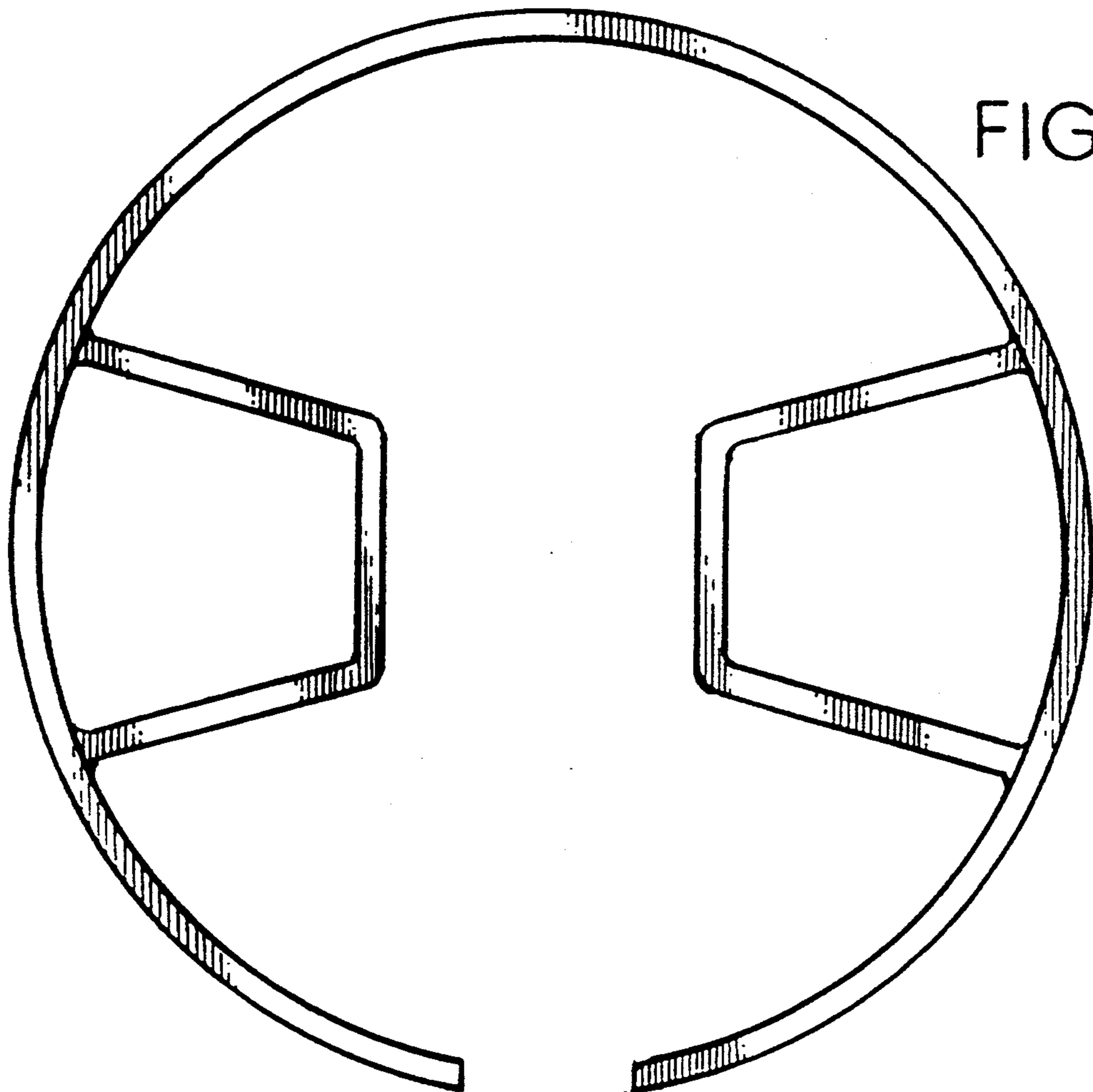


FIG. 4