



US00D349831S

**United States Patent** [19]  
**Storsberg**

[11] **Patent Number: Des. 349,831**  
[45] **Date of Patent: \*\* Aug. 23, 1994**

[54] **ELECTRIC TOASTER**

[75] **Inventor: Gunter Storsberg, Solingen, Fed. Rep. of Germany**

[73] **Assignee: Robert Krups GmbH & Co. KG, Solingen, Fed. Rep. of Germany**

[\*] **Notice: The portion of the term of this patent subsequent to May 31, 2008 has been disclaimed.**

[\*\*] **Term: 14 Years**

[21] **Appl. No.: 914,330**

[22] **Filed: Apr. 22, 1992**

[52] **U.S. Cl. .... D7/330; D7/328**

[58] **Field of Search .... D7/323, 328-330, D7/350, 390; 99/329 RT, 331, 332, 334, 335, 385, 388, 389, 391, 401, 326, 327**

[56] **References Cited**

**U.S. PATENT DOCUMENTS**

- D. 307,999 5/1990 Kahlcke ..... D7/330
- D. 310,004 8/1990 Storsberg ..... D7/330 X
- D. 312,943 12/1990 Sanchez ..... D7/330

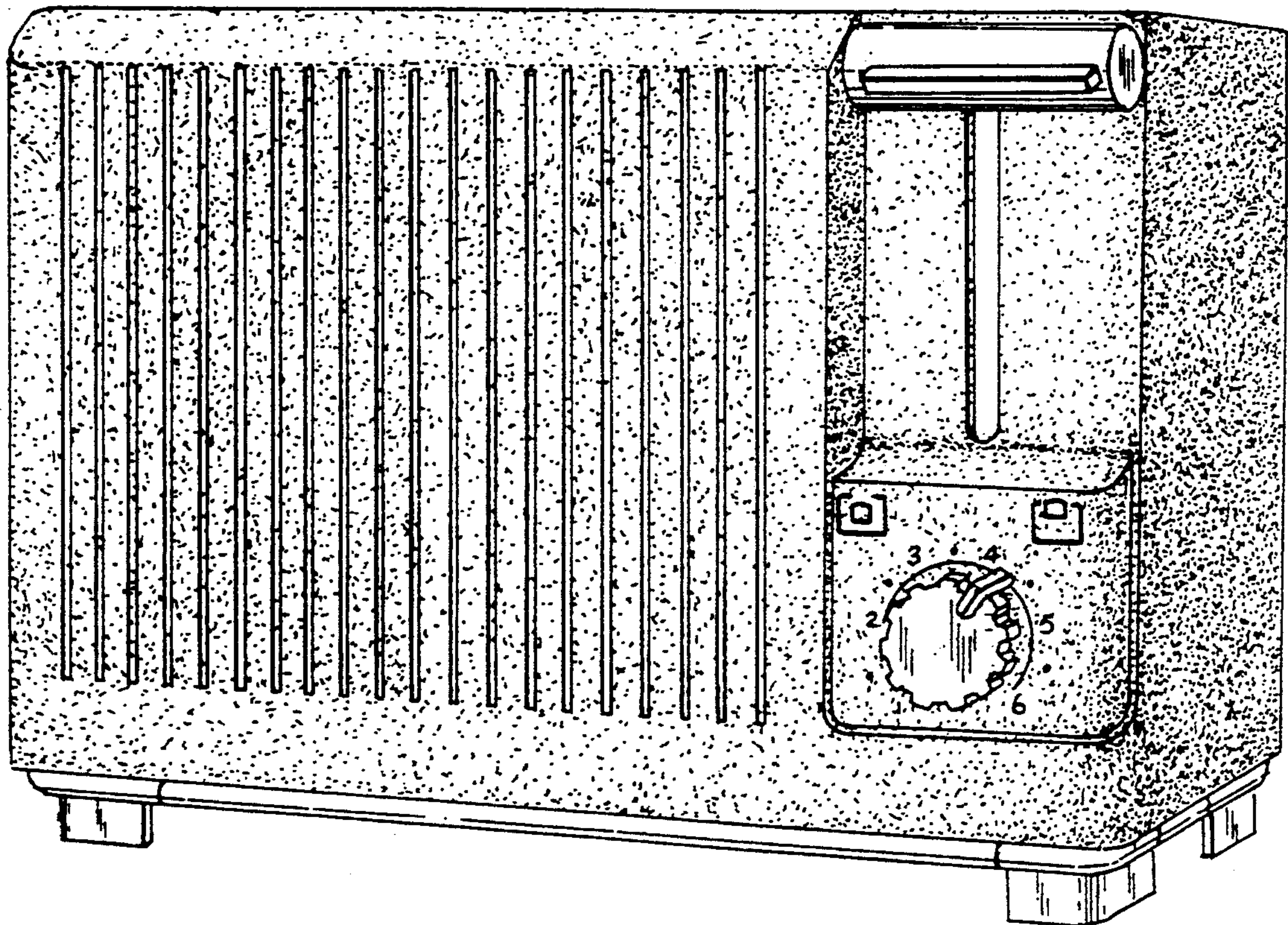
*Primary Examiner*—Alan P. Douglas  
*Assistant Examiner*—Caron D. Veynar  
*Attorney, Agent, or Firm*—Young & Thompson

[57] **CLAIM**

The ornamental design for an electric toaster, as shown.

**DESCRIPTION**

FIG. 1 is a front and side perspective view of an electric toaster showing my new design;  
 FIG. 2 is a front elevational view thereof;  
 FIG. 3 is a rear elevational view thereof;  
 FIG. 4 is a side elevational view thereof from the left of FIG. 2;  
 FIG. 5 is a side elevational view thereof from the right of FIG. 2;  
 FIG. 6 is a top plan view thereof; and,  
 FIG. 7 is a bottom plan view thereof.





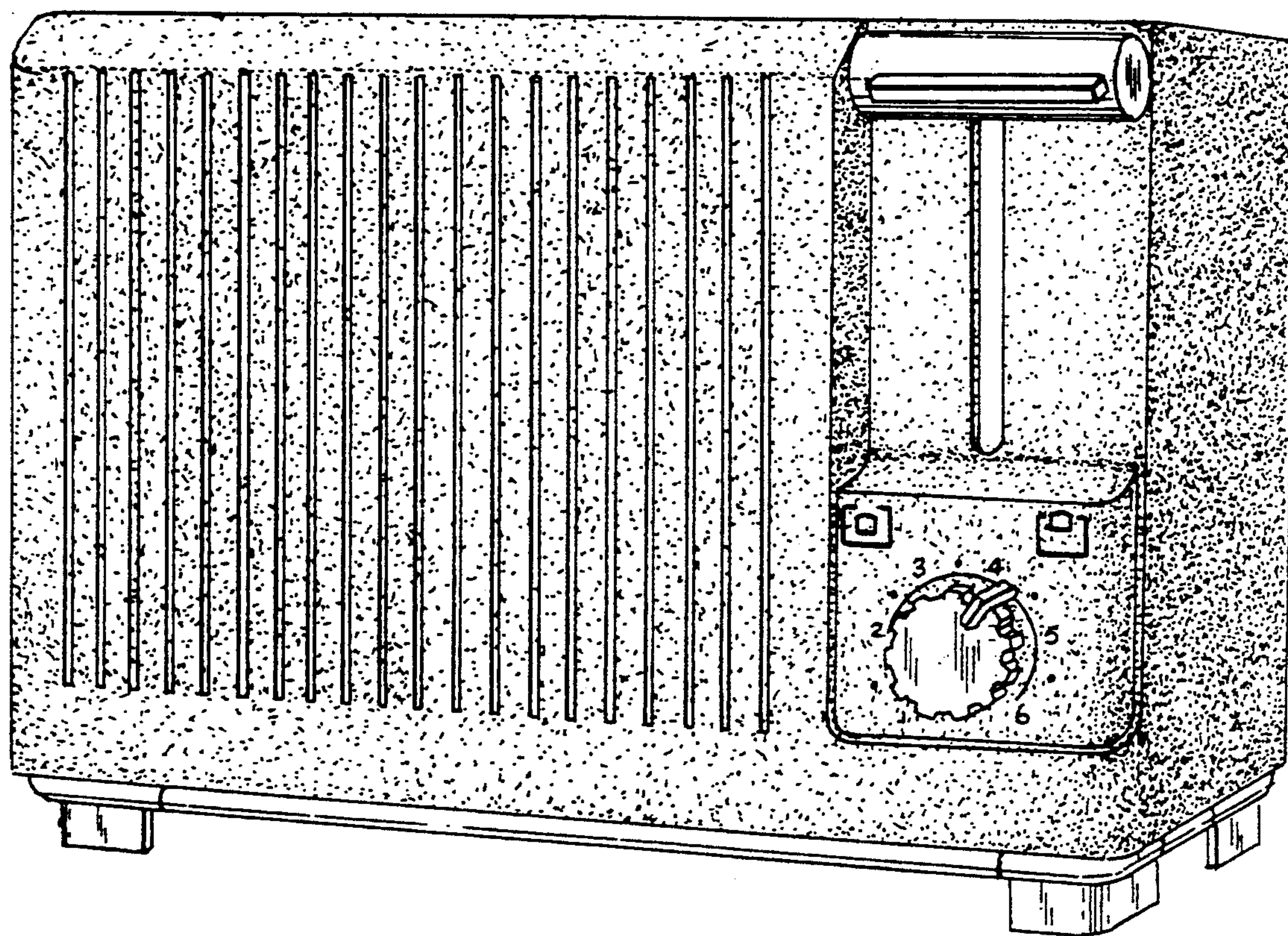


FIG. 1



FIG. 2

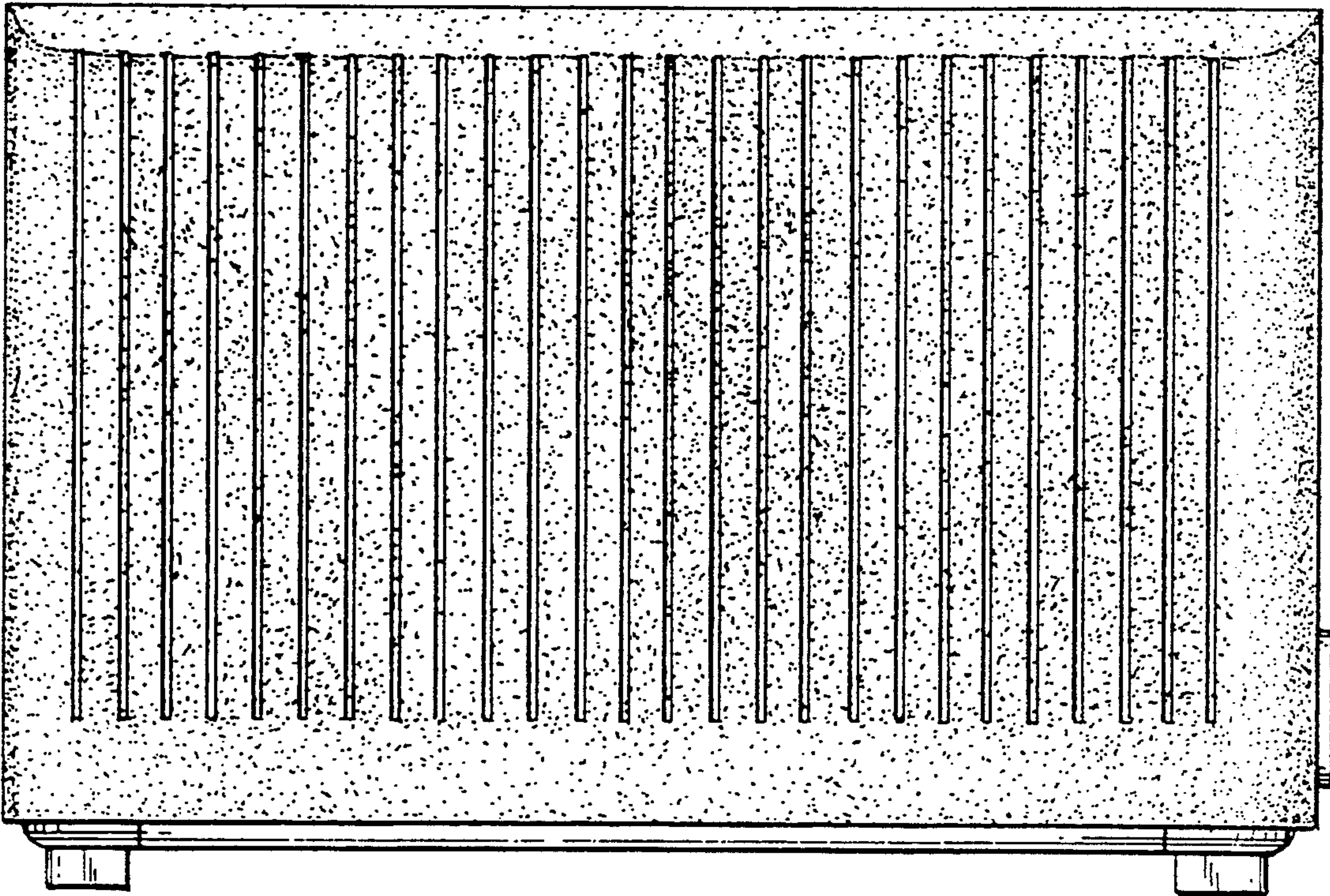
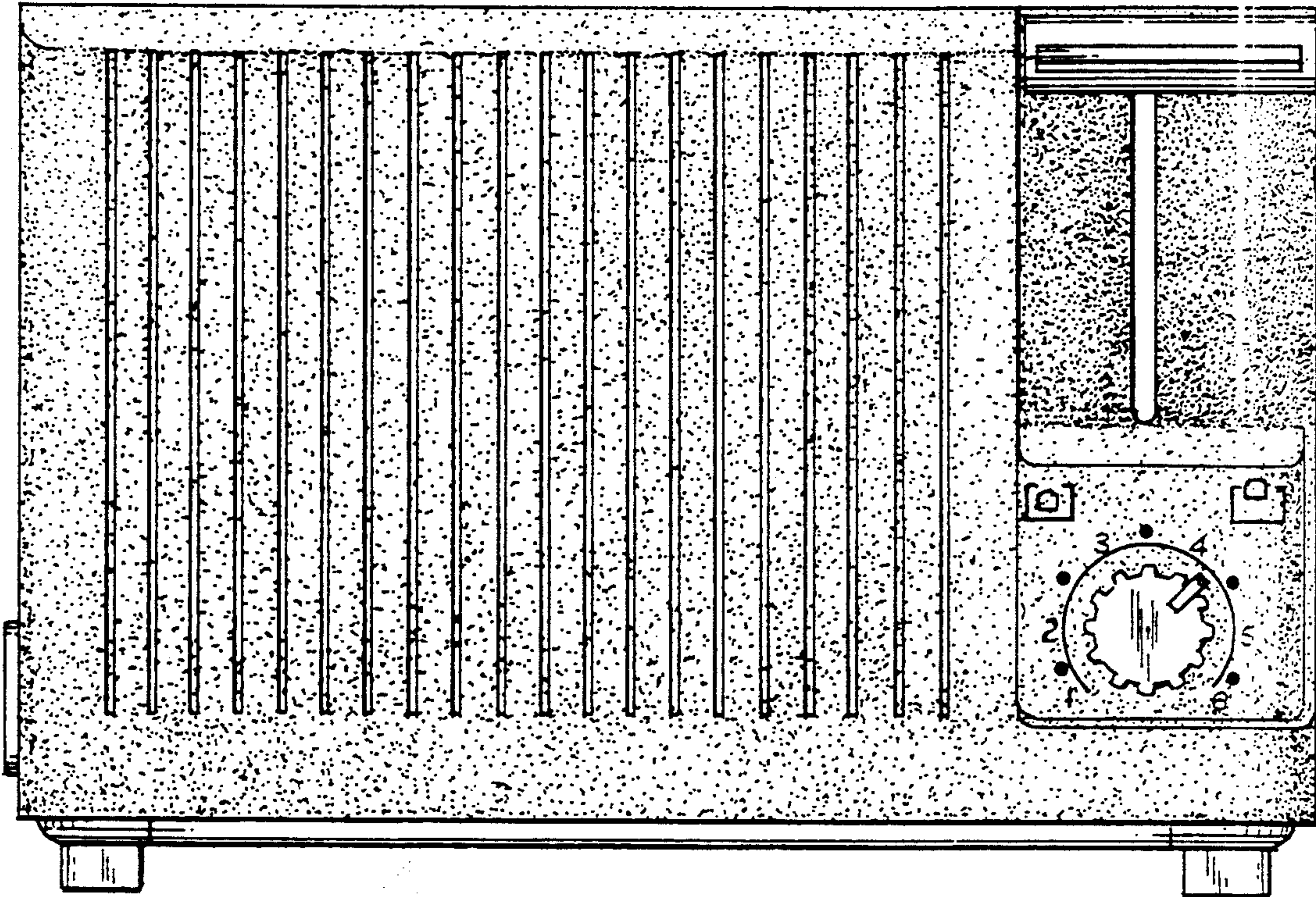


FIG. 3



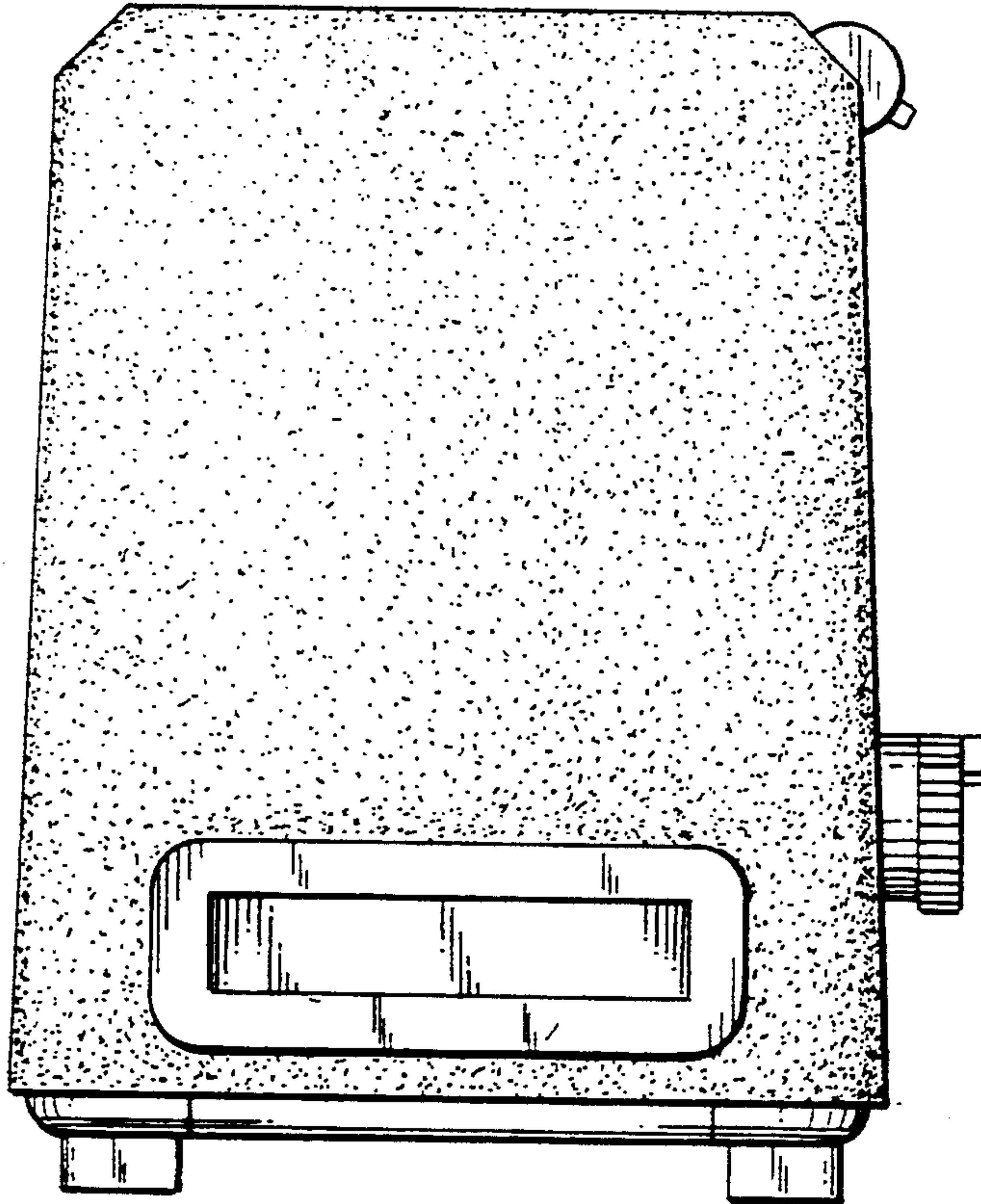


FIG. 4

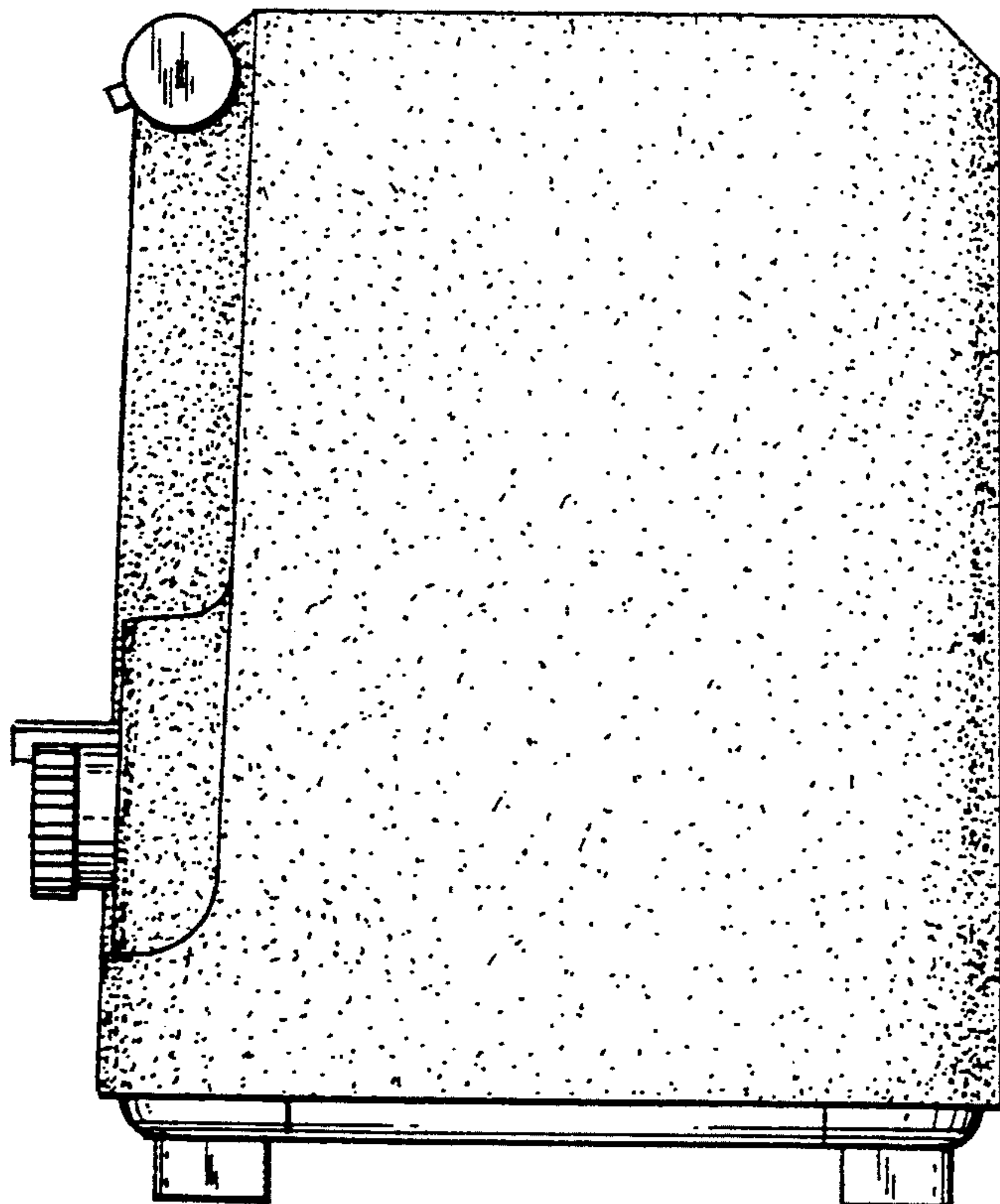


FIG. 5

FIG. 6

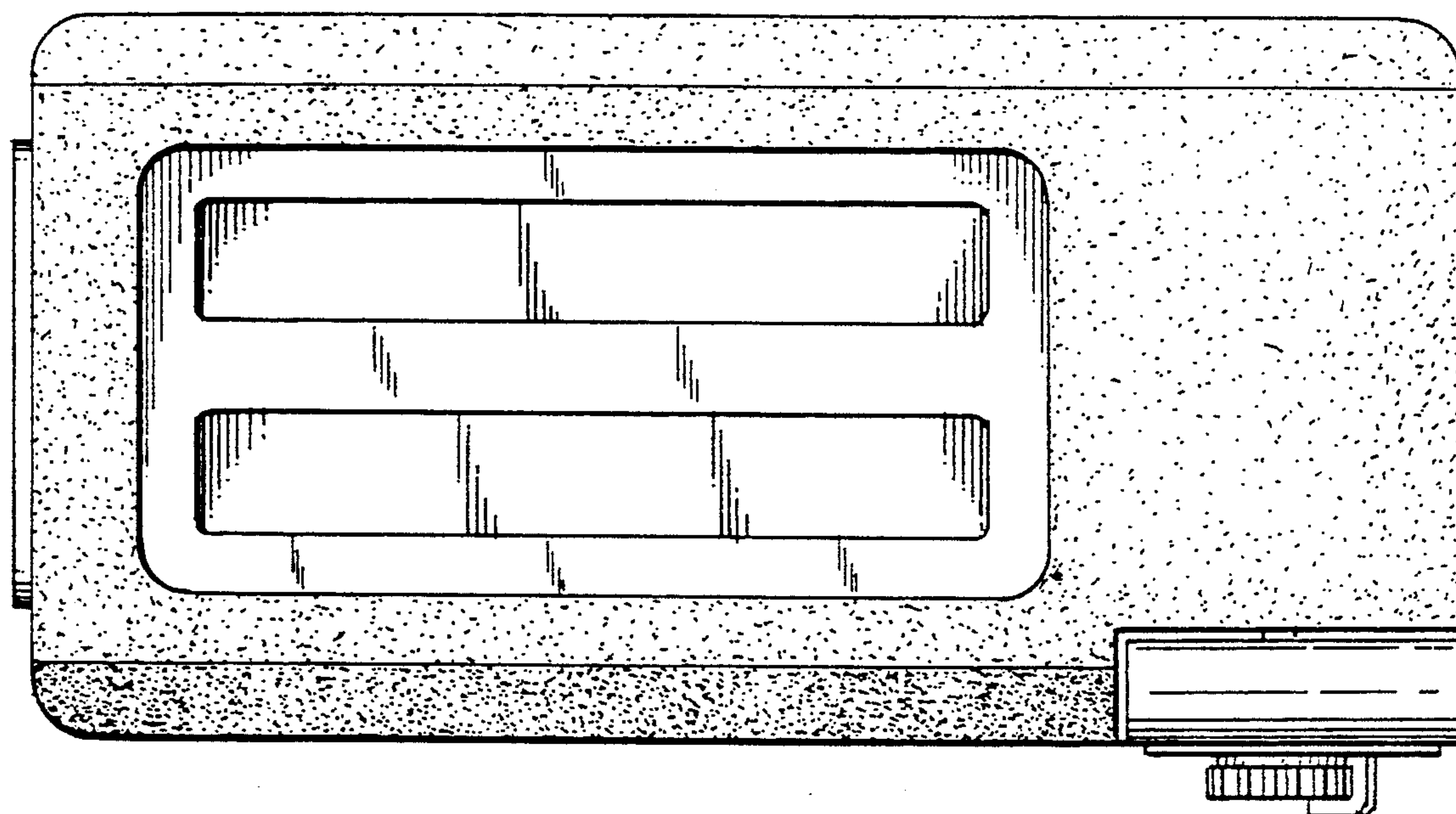


FIG. 7

