



US00D349830S

United States Patent [19]

Barr et al.

[11] Patent Number: **Des. 349,830**

[45] Date of Patent: **** Aug. 23, 1994**

- [54] **WATER VENDING MACHINE**
- [75] Inventors: **Gary F. Barr**, Pompano Beach; **Paul J. Celauro**, Plantation, both of Fla.
- [73] Assignee: **Bestech, Inc.**, Pompano Beach, Fla.
- [**] Term: **14 Years**
- [21] Appl. No.: **771,995**
- [22] Filed: **Oct. 7, 1991**
- [52] U.S. Cl. **D7/306; D7/300; D20/1**
- [58] **Field of Search** **D7/300, 305, 306, 307, D7/304; 62/397; 222/173, 183, 184, 185, 186; D20/1, 2; D23/207, 209; D99/28; D34/38**

- D. 275,045 8/1984 McCombs D34/38 X
- D. 278,200 4/1985 Dahlberg D23/209 X
- D. 317,545 6/1991 Lambert et al. D7/307
- D. 331,264 11/1992 Ellis D20/1

Primary Examiner—Alan P. Douglas
Assistant Examiner—Caron D. Veynar
Attorney, Agent, or Firm—Oltman and Flynn

[57] CLAIM

The ornamental design for a water vending machine, as shown.

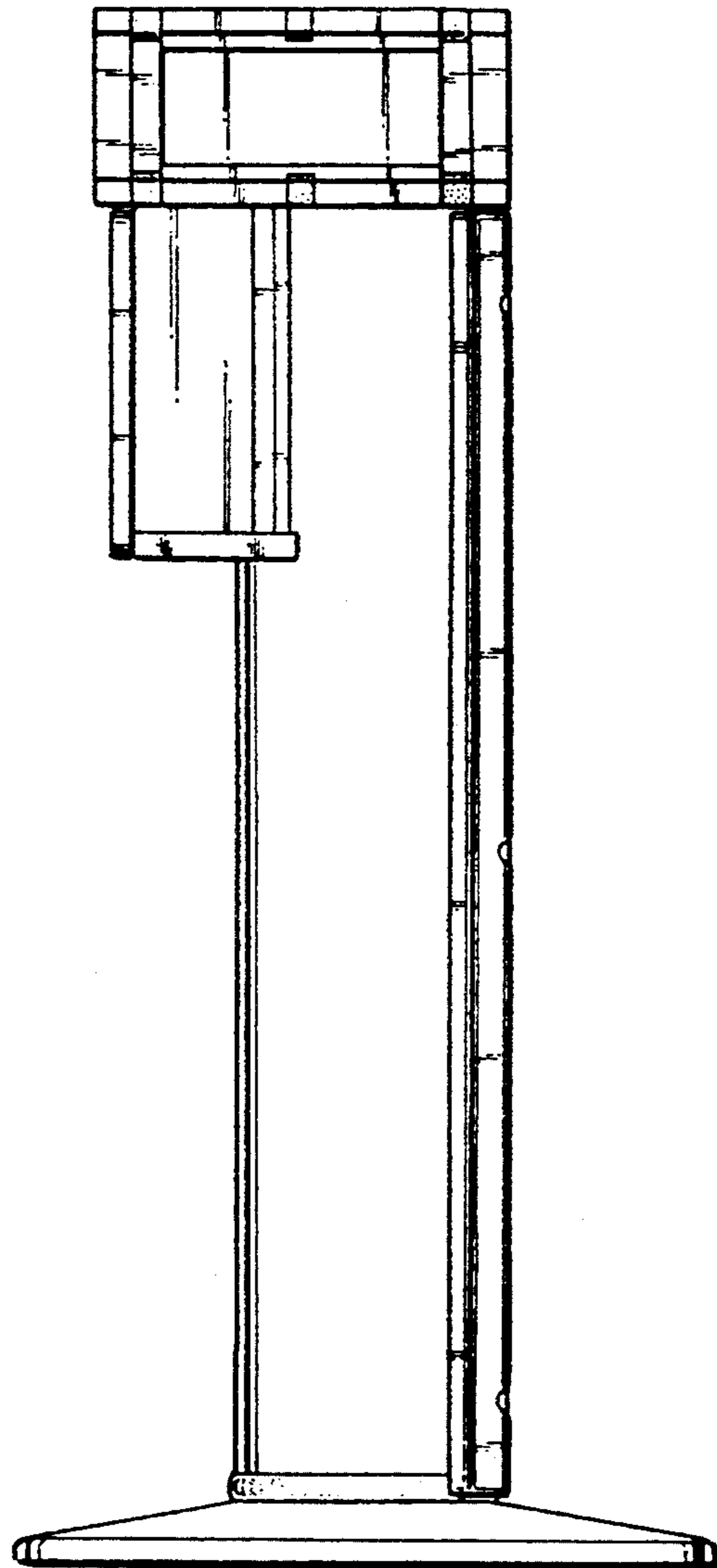
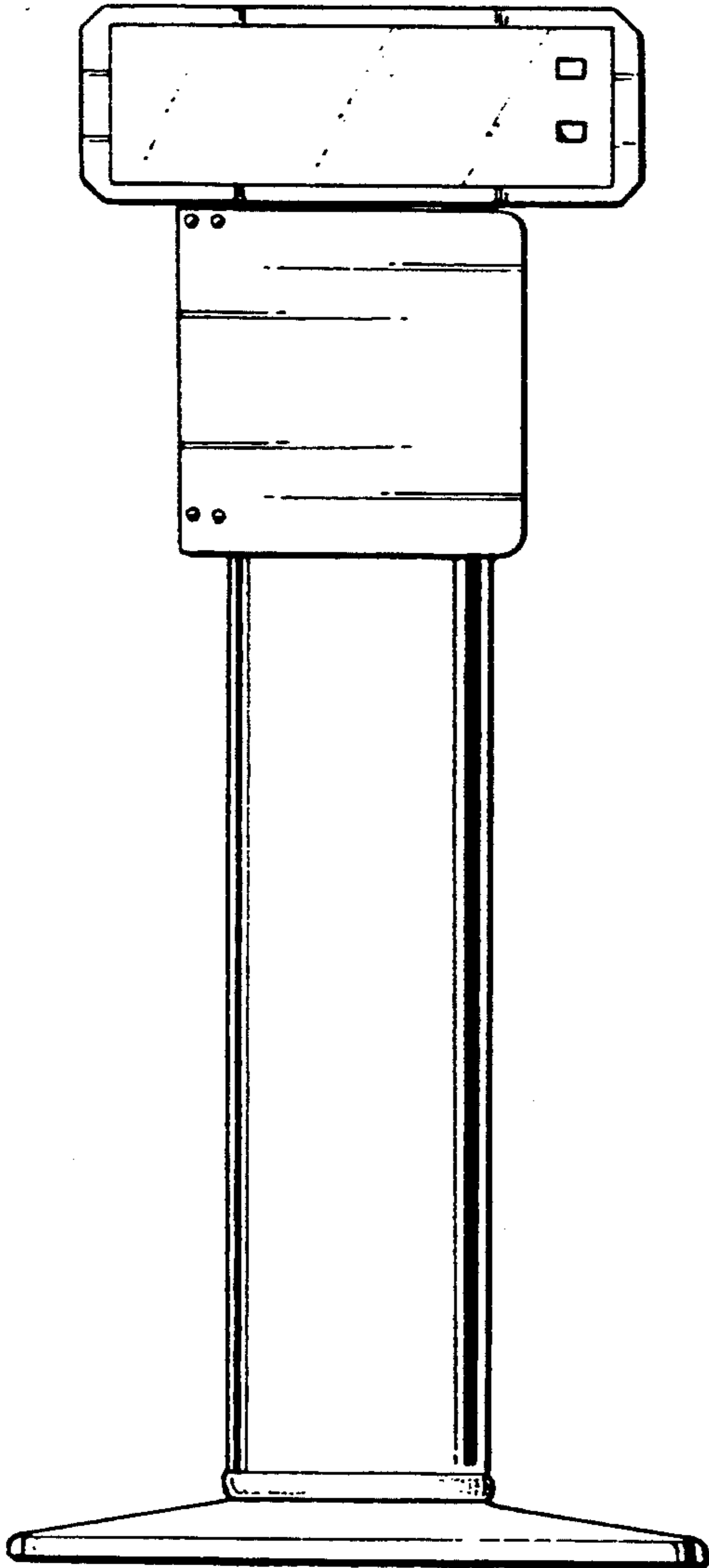
DESCRIPTION

FIG. 1 is a front elevational view of a water vending machine showing our new design;
 FIG. 2 is a top plan view thereof;
 FIG. 3 is a bottom plan view thereof;
 FIG. 4 is a right side elevational view thereof;
 FIG. 5 is a left side elevational view thereof; and,
 FIG. 6 is a rear elevational view thereof.

[56] References Cited

U.S. PATENT DOCUMENTS

- D. 52,244 7/1918 Ramsdell D7/304



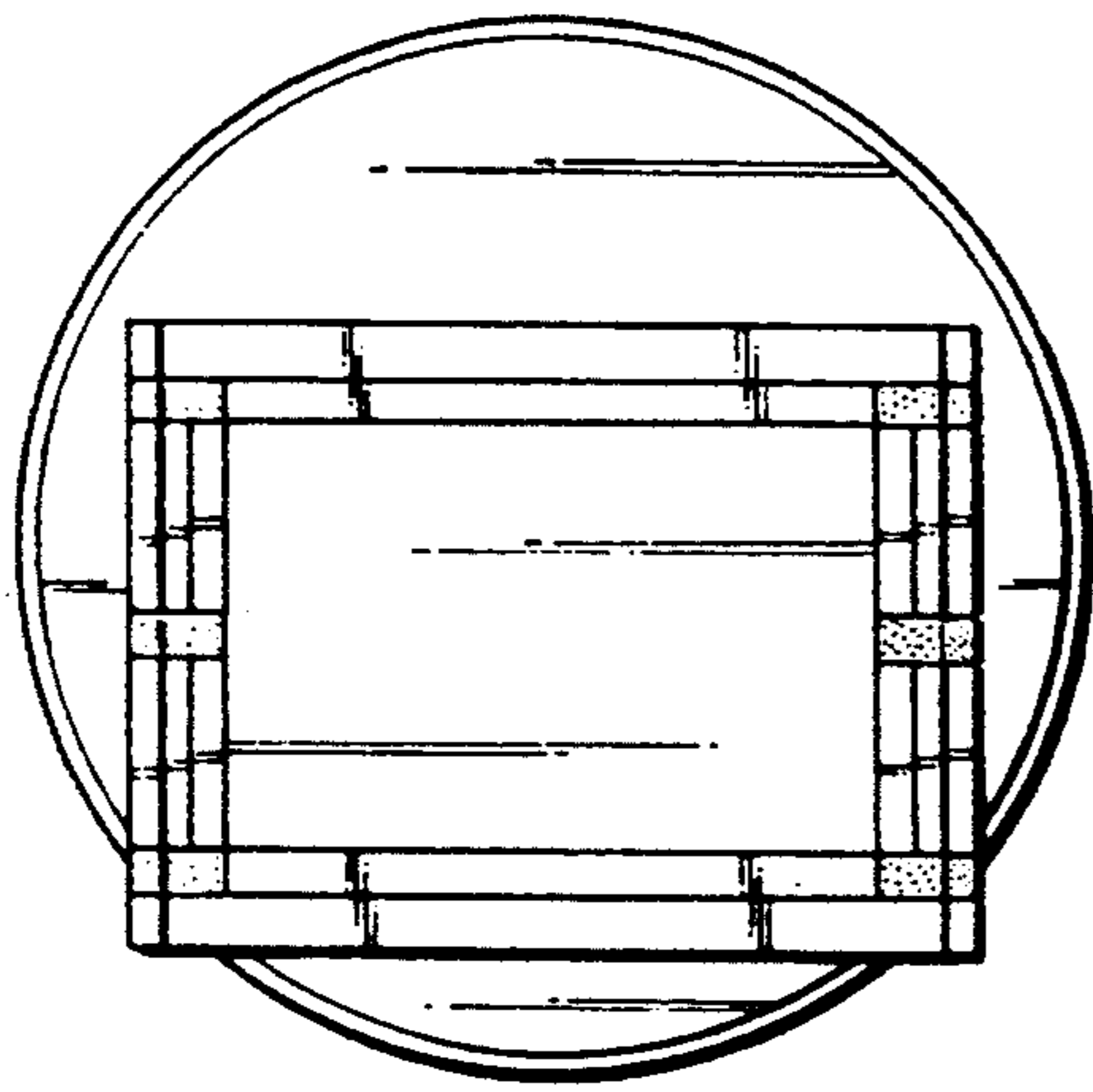


FIG. 2

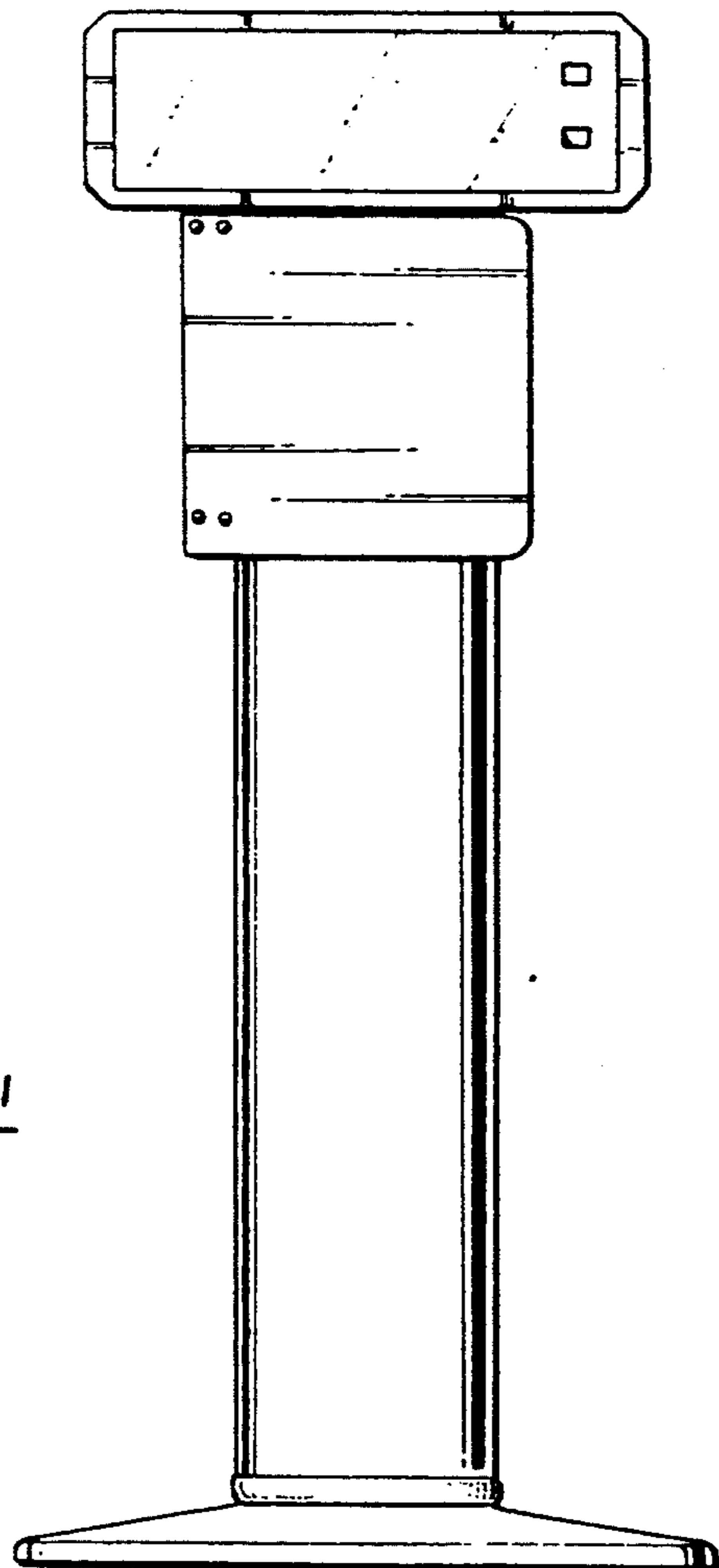


FIG. 1

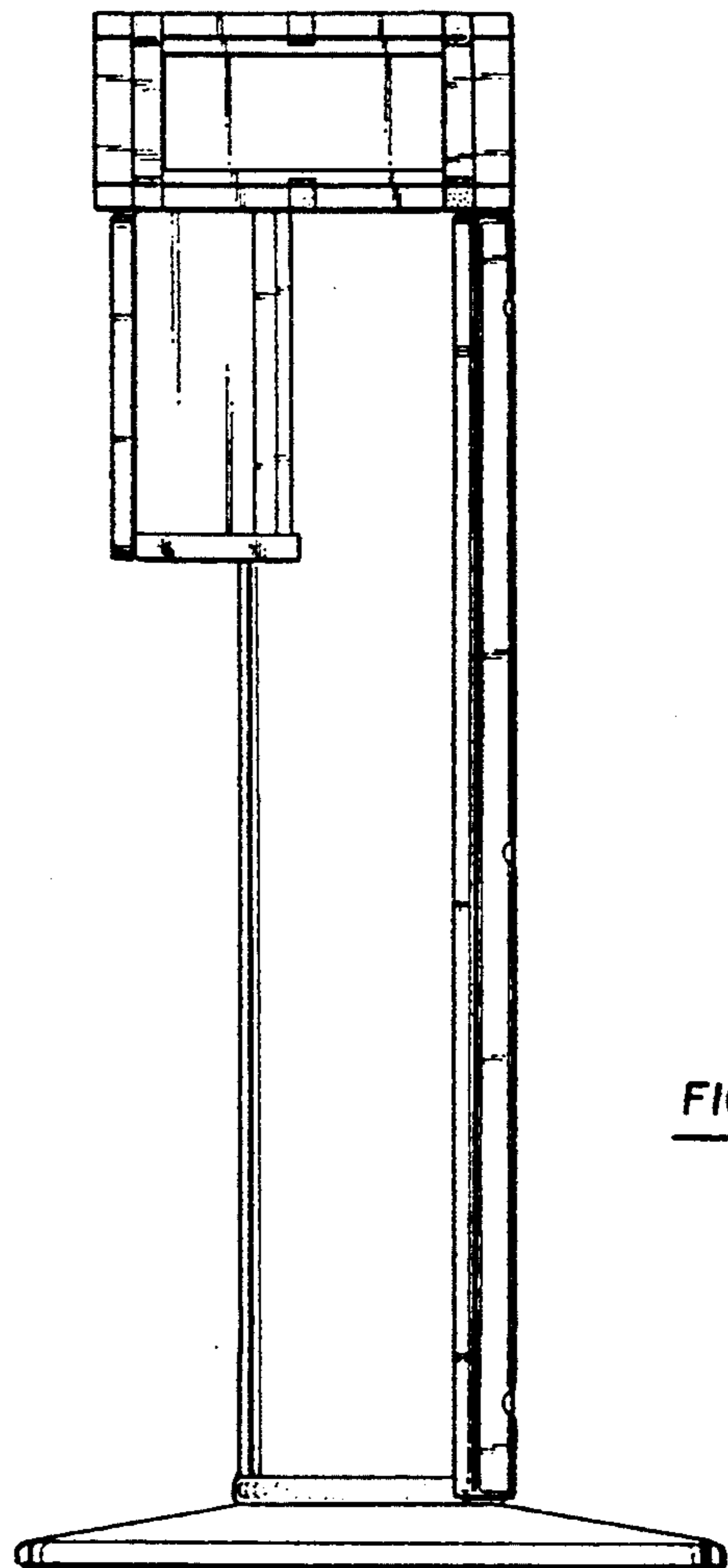


FIG. 4

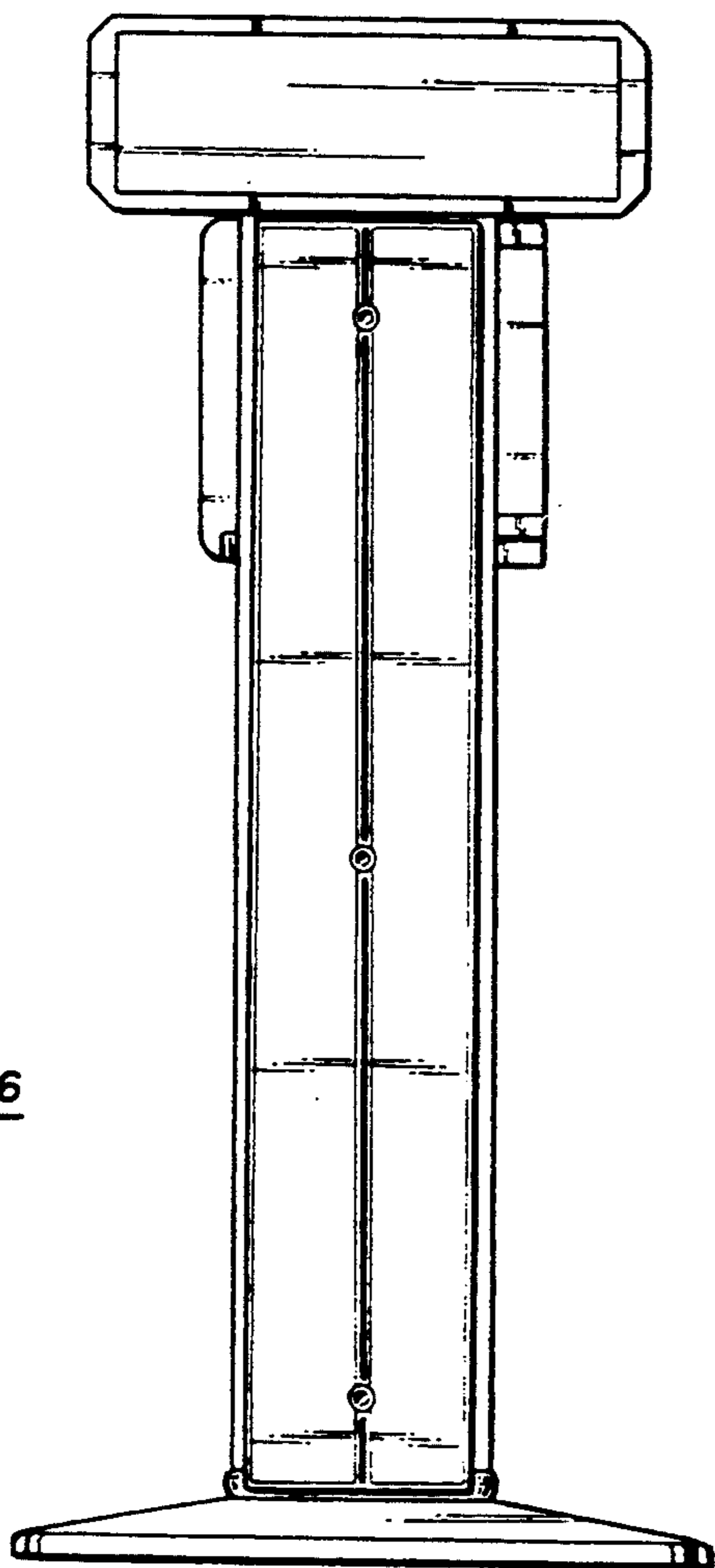


FIG. 6

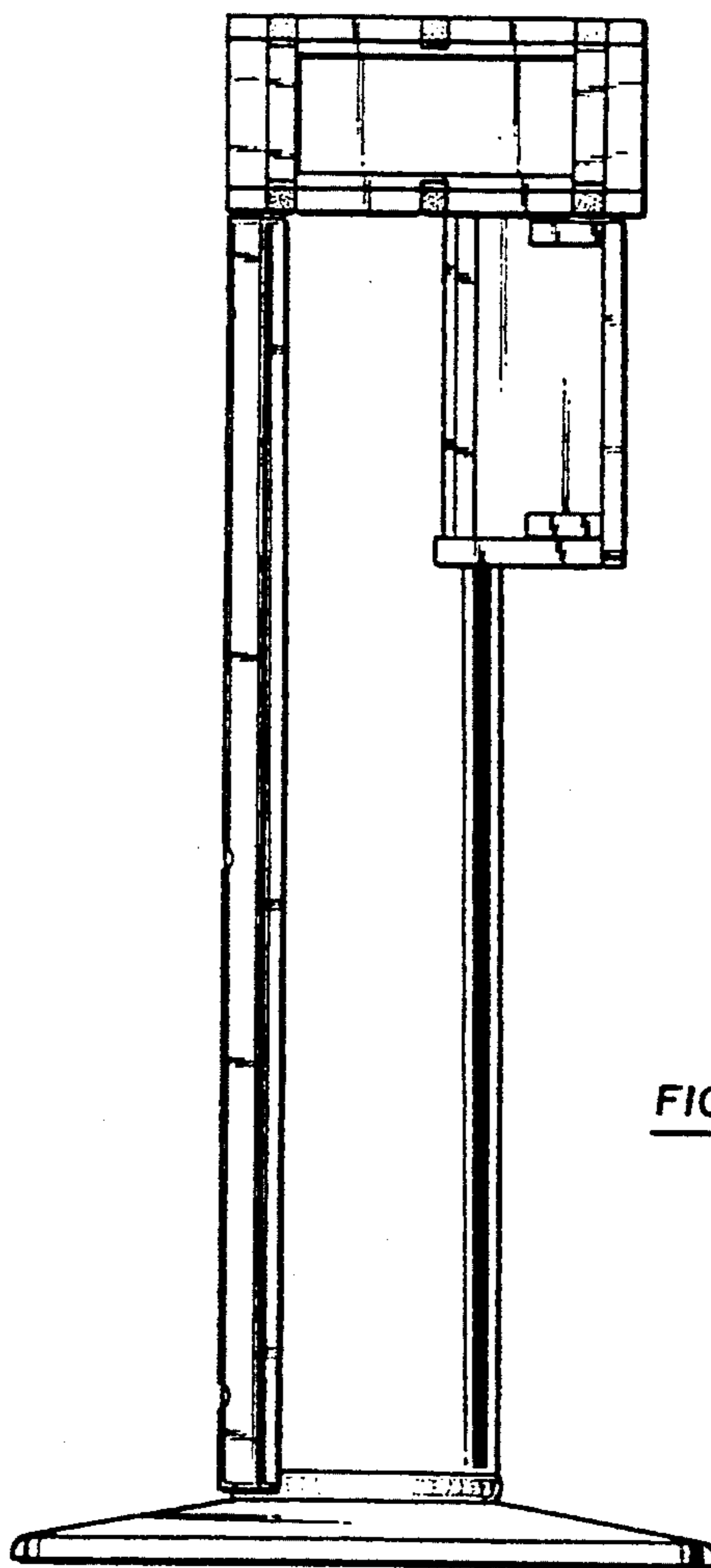


FIG. 5

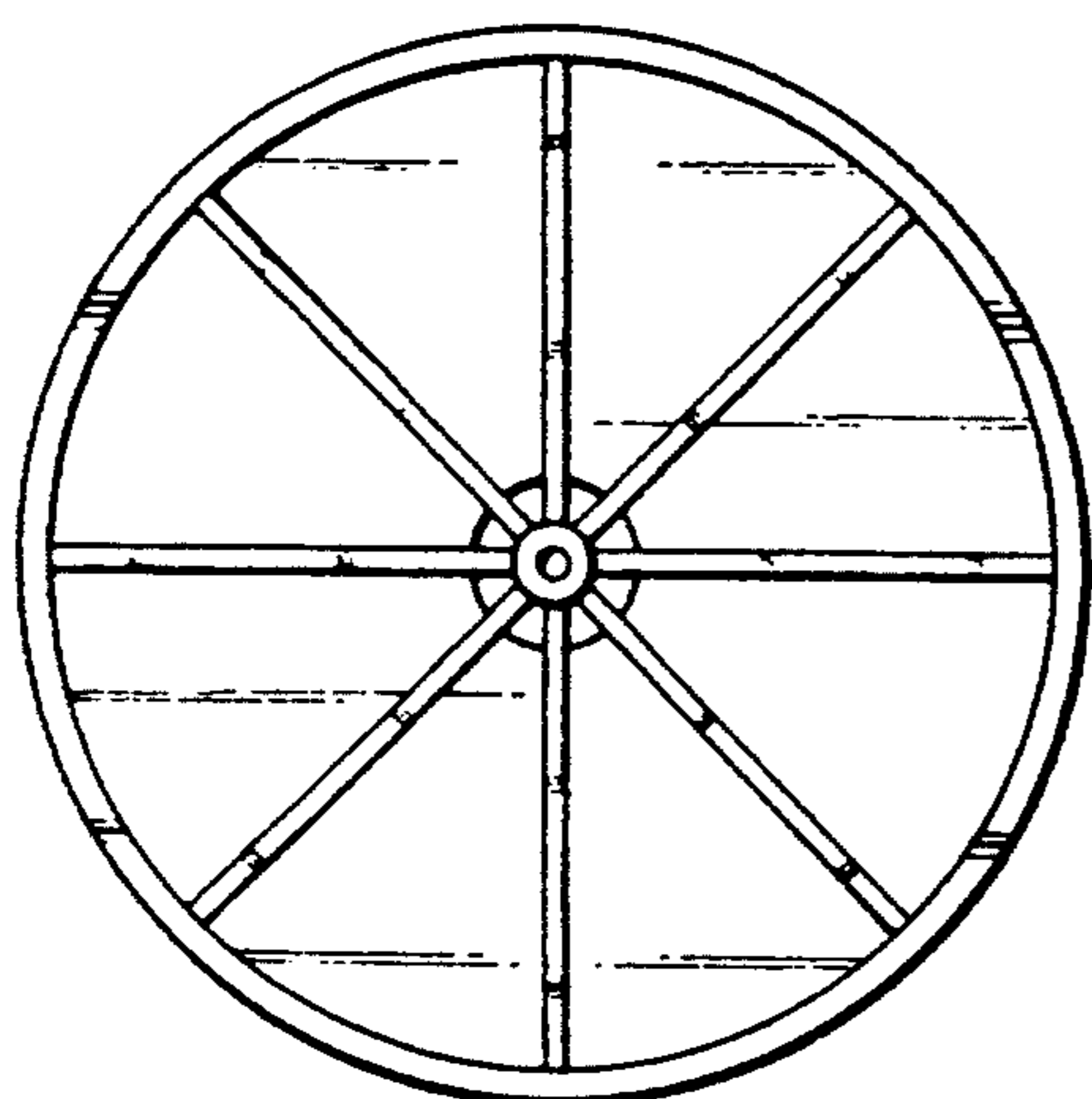


FIG. 3