



US00D349829S

United States Patent [19]

[11] Patent Number: **Des. 349,829**

Bustos

[45] Date of Patent: **** Aug. 23, 1994**

[54] **REFRIGERATED BEVERAGE DISPLAY CASE**

[75] Inventor: **Rafael T. Bustos, Alpharetta, Ga.**

[73] Assignee: **Leggett & Platt, Incorporated, Carthage, Mo.**

[**] Term: **14 Years**

[21] Appl. No.: **784,004**

[22] Filed: **Oct. 25, 1991**

[52] U.S. Cl. **D6/470**

[58] Field of Search **D6/436, 470, 471, 472; 312/116, 140.1, 414**

[56] **References Cited**

U.S. PATENT DOCUMENTS

31,482 8/1899 Maurer **D6/471 X**

1,883,961 10/1932 Kosmerl .

Primary Examiner—Alan P. Douglas

Assistant Examiner—S. Snapp

Attorney, Agent, or Firm—Wood, Herron & Evans

[57] **CLAIM**

The ornamental design for a refrigerated beverage display case, as shown and described.

DESCRIPTION

FIG. 1 is a perspective view of a refrigerated beverage display case showing my new design;

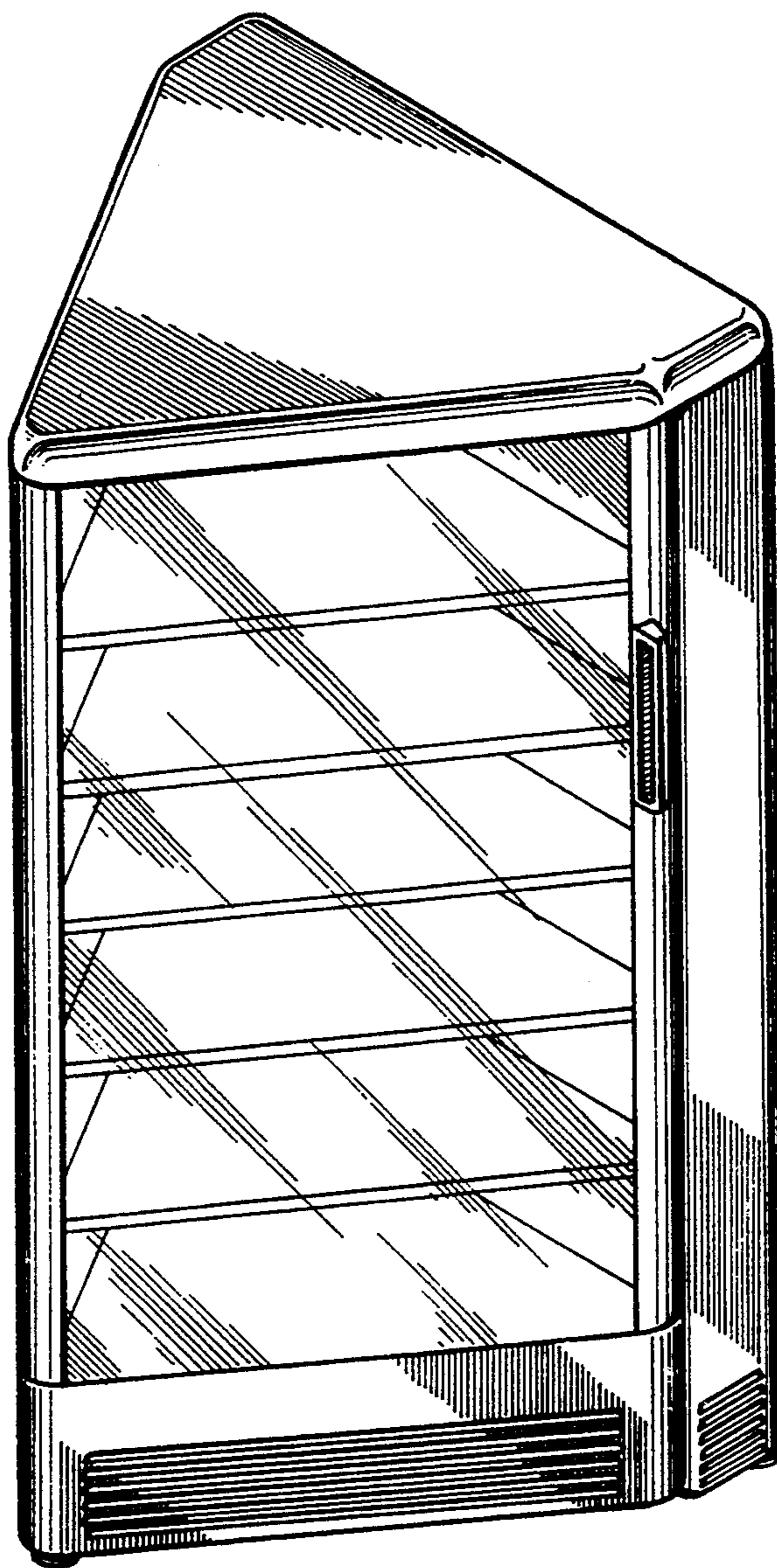
FIG. 2 is a front elevational view thereof;

FIG. 3 is a side elevational view thereof, the opposite side being a mirror image thereof;

FIG. 4 is a rear elevational view thereof;

FIG. 5 is a top plan view thereof; and,

FIG. 6 is a bottom plan view thereof.



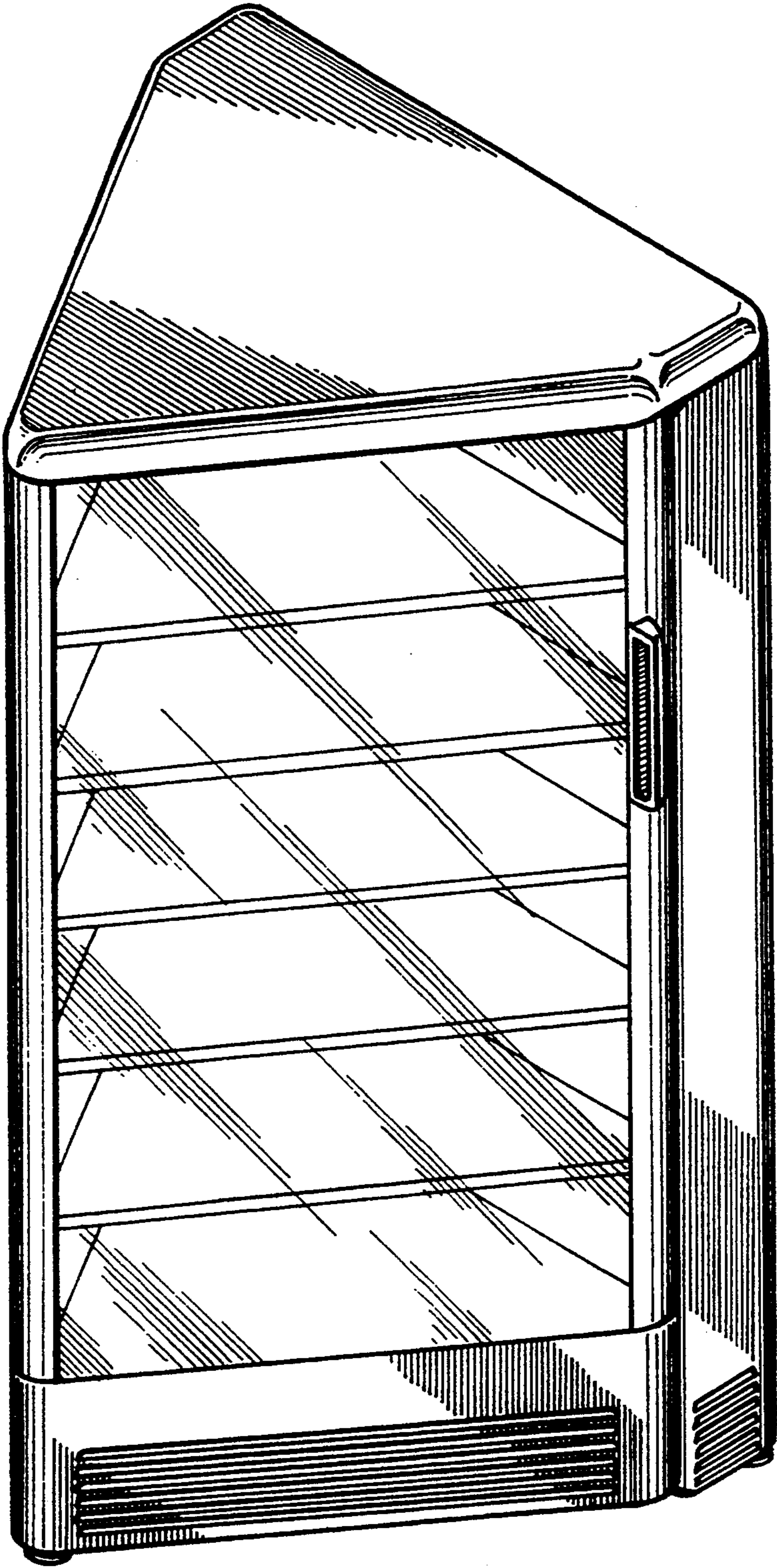


FIG. 1

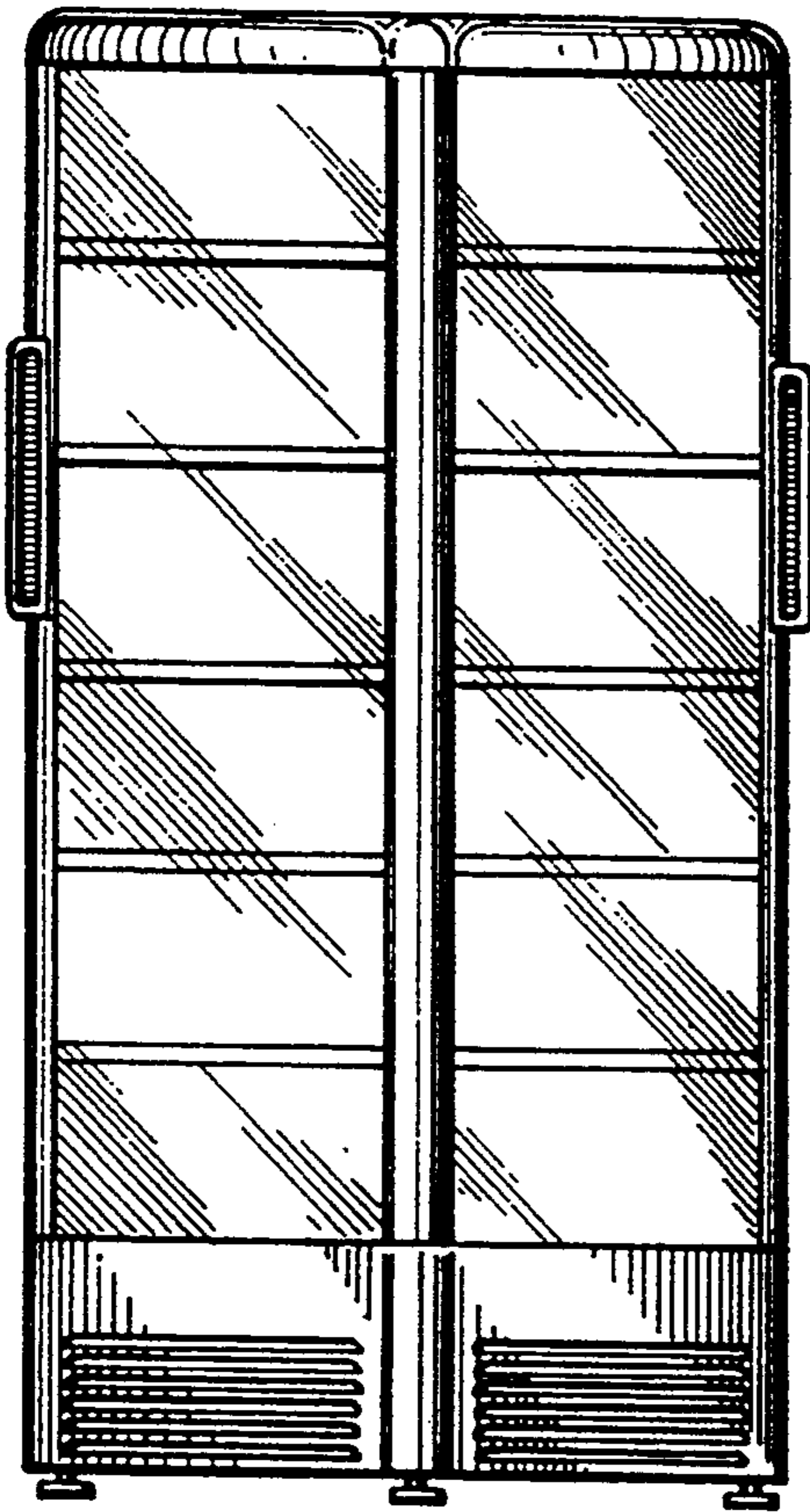


FIG. 2

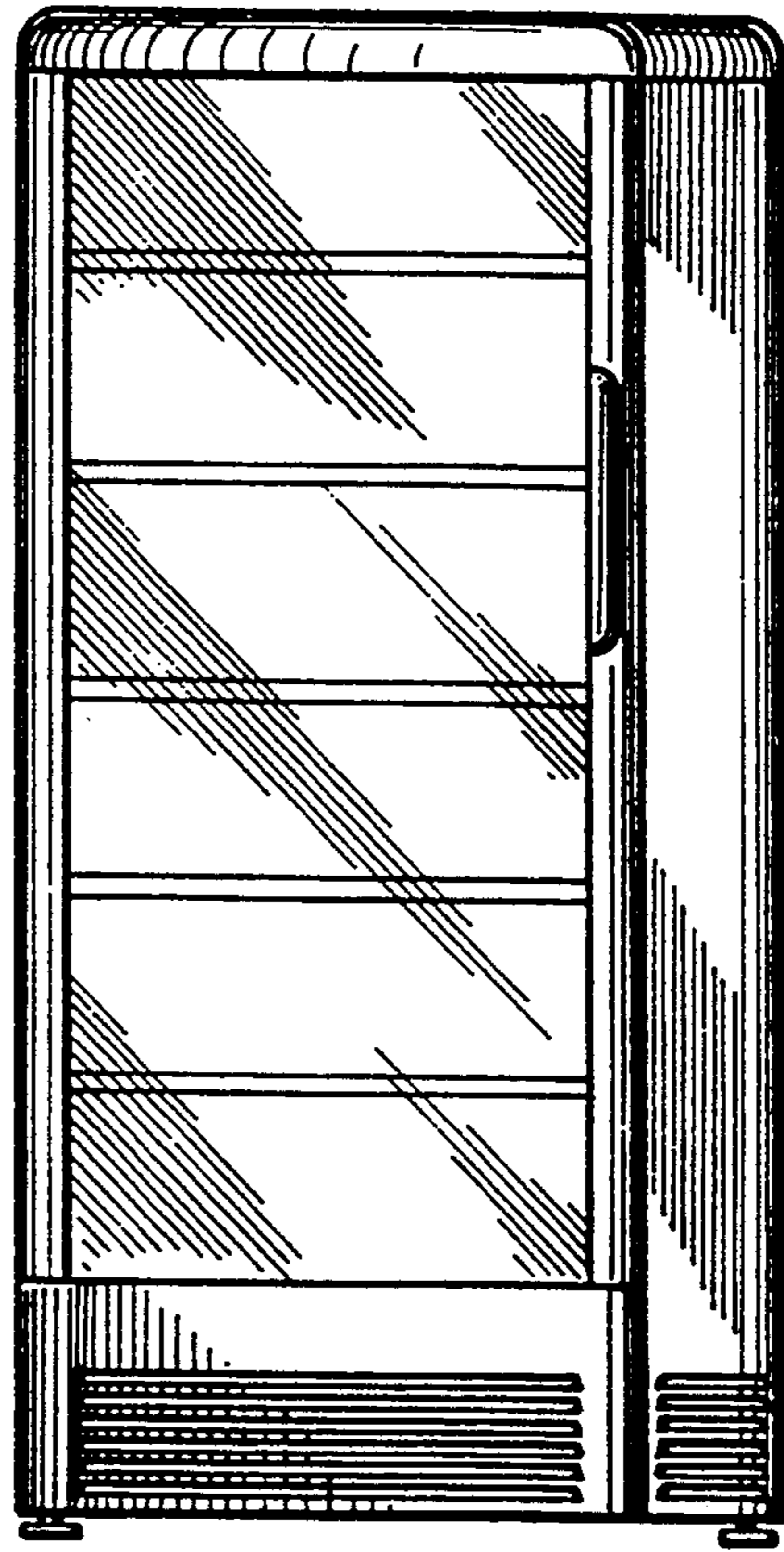


FIG. 3

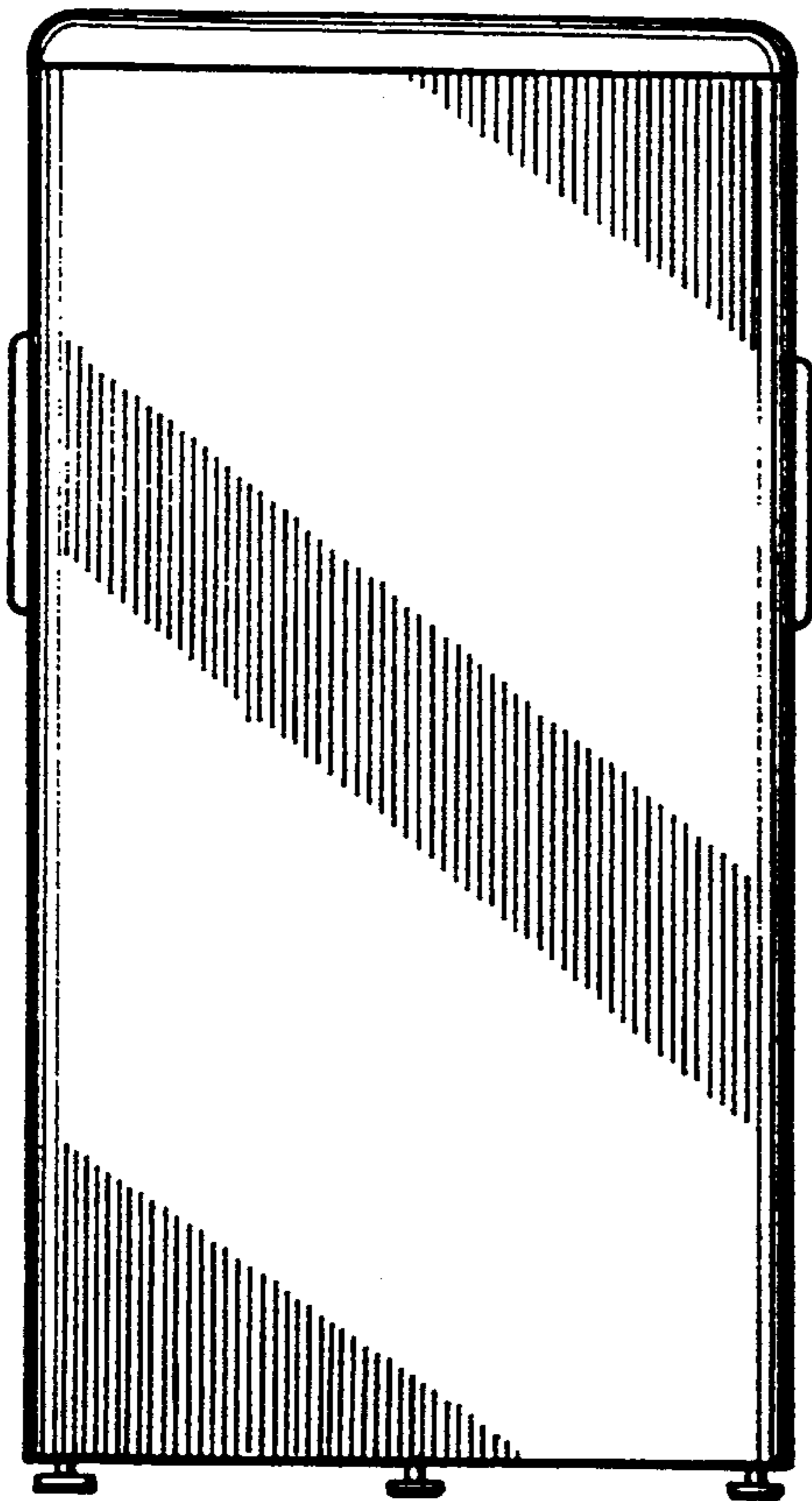


FIG. 4

FIG. 5

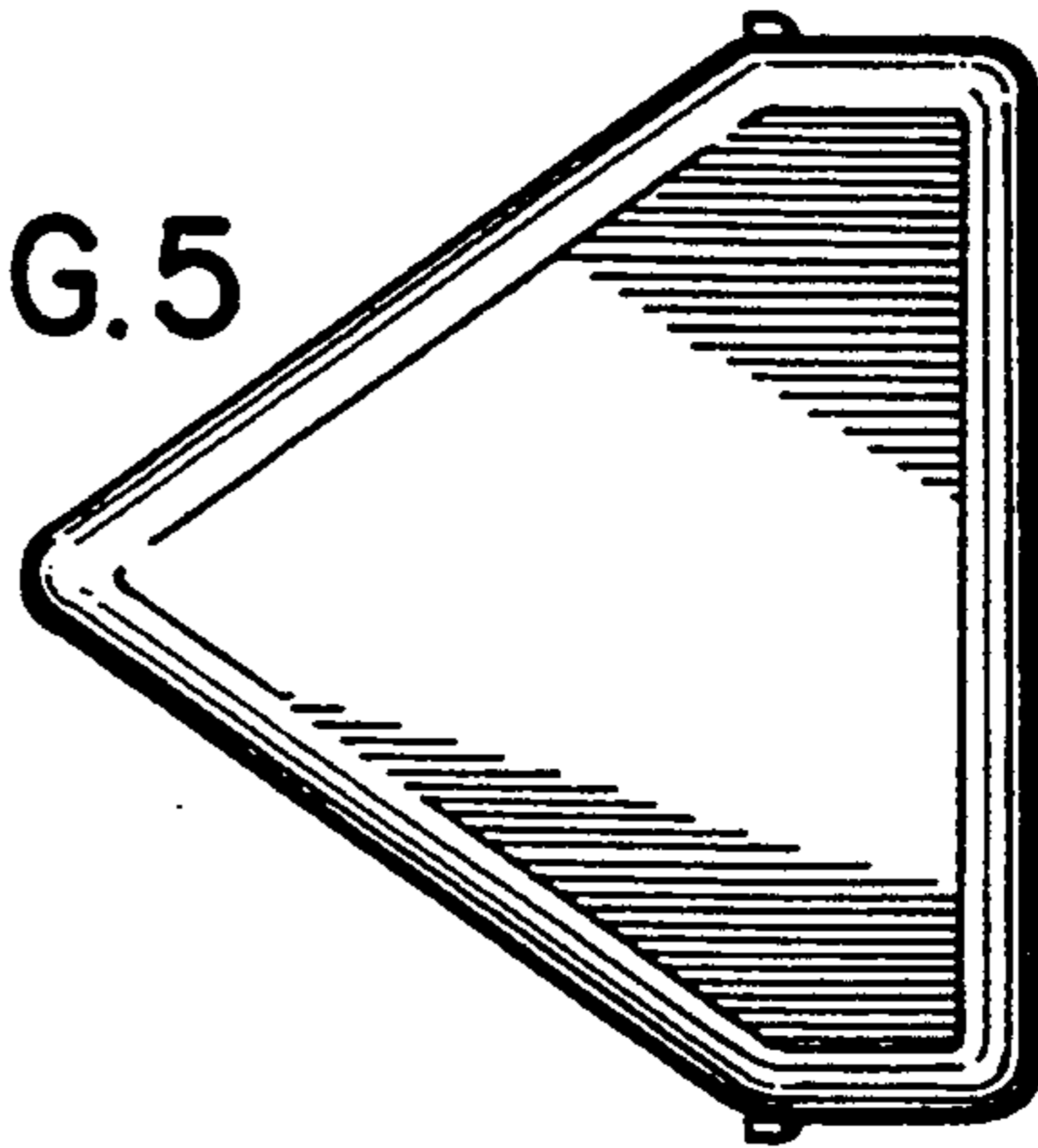


FIG. 6

