



US00D349828S

United States Patent [19]

[11] Patent Number: Des. 349,828

Reinhardt

[45] Date of Patent: ** Aug. 23, 1994

[54] BALLAST FOR A VERTICAL BLIND LOUVER

[76] Inventor: Gary E. Reinhardt, 11 Markham Dr., Morganville, N.J. 07751

[**] Term: 14 Years

[21] Appl. No.: 854,443

[22] Filed: Mar. 19, 1992

[52] U.S. Cl. D6/580; D6/577

[58] Field of Search D6/577, 580, 581; 160/168.1 V, 176.1 V, 236, 349.1; 16/1 R

[56] **References Cited**

U.S. PATENT DOCUMENTS

3,996,988	12/1976	de Wit	160/168.1 V
4,128,914	12/1978	de Wit	160/349.1 X
5,094,287	3/1992	Vargas et al.	160/349.1 X
5,168,913	12/1992	Haines	160/168.1 V

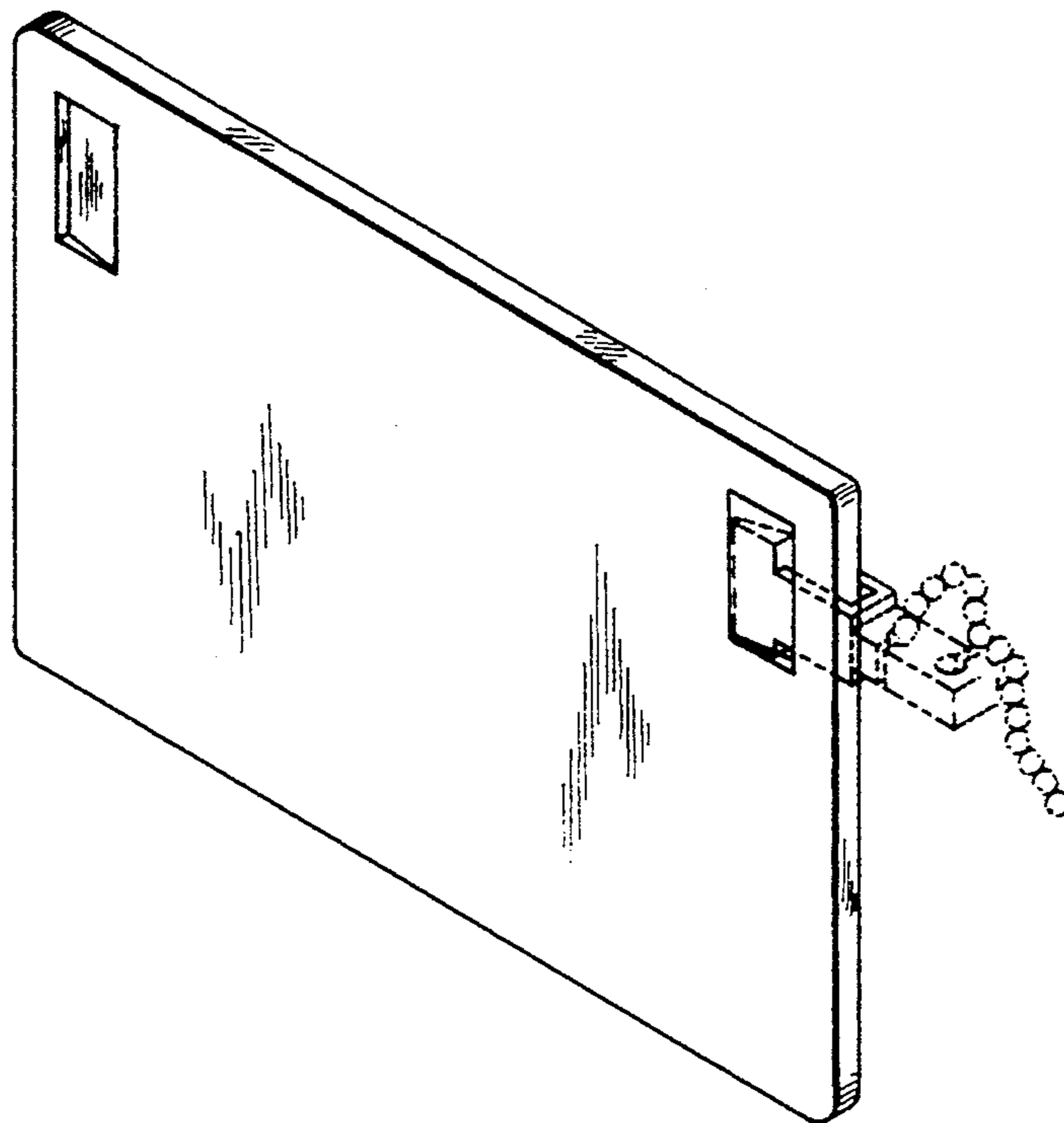
Primary Examiner—Alan P. Douglas
Assistant Examiner—Monica A. Hannon
Attorney, Agent, or Firm—Siegmar Silber

[57] **CLAIM**

The ornamental design for a ballast for a vertical blind louver, as shown and described.

DESCRIPTION

FIG. 1 is a perspective view of the ballast for a vertical blind louver of this invention; FIG. 2 is a right side elevational view of FIG. 1; FIG. 3 is a front elevational view of FIG. 1; FIG. 4 is a left side elevational view of FIG. 1; FIG. 5 is a rear elevational view of FIG. 1; FIG. 6 is a top plan view of FIG. 1; and, FIG. 7 is a bottom plan view of FIG. 1. The broken line disclosure of FIG. 1 is for environmental purposes only.



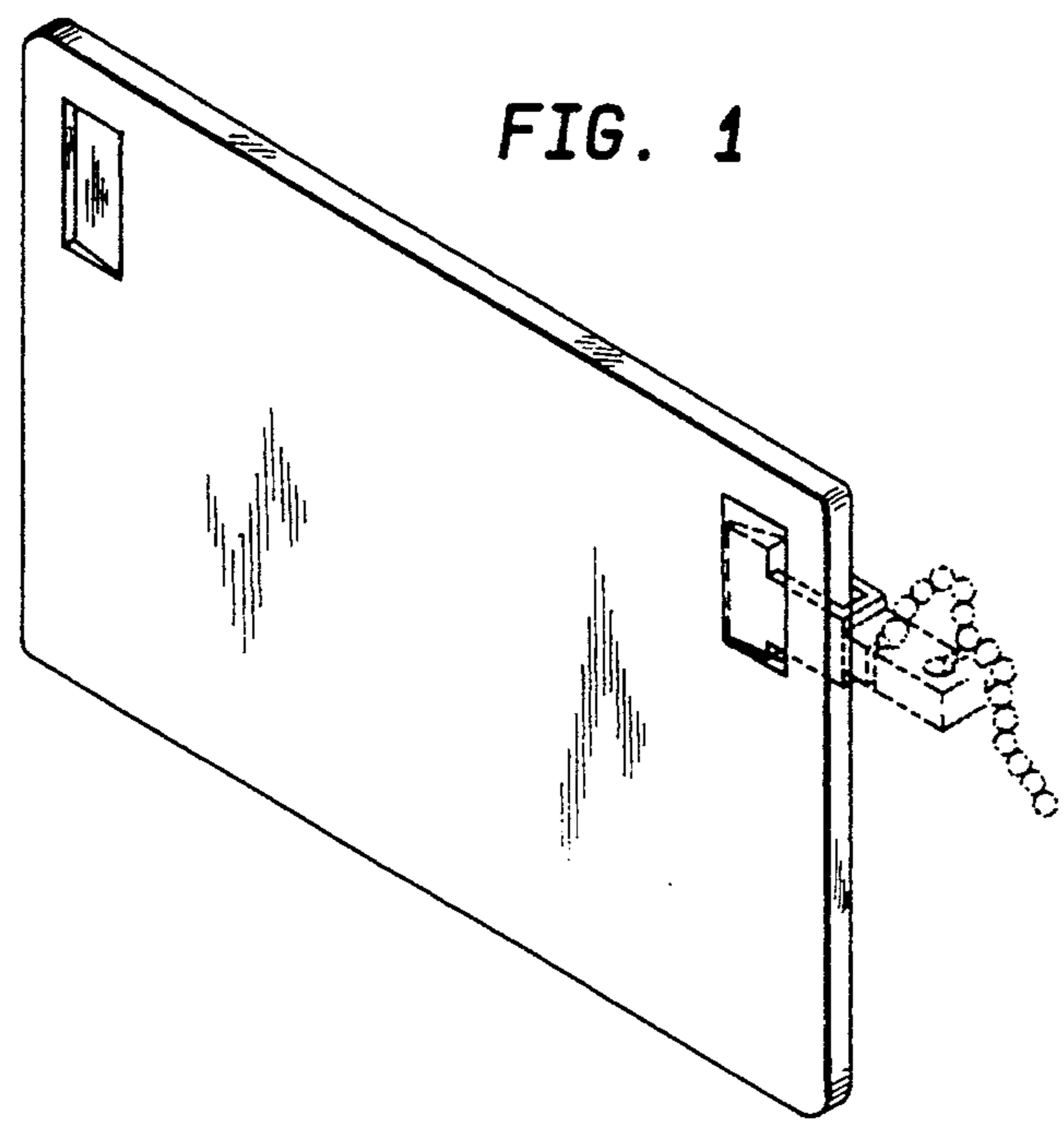


FIG. 1

FIG. 2



FIG. 3

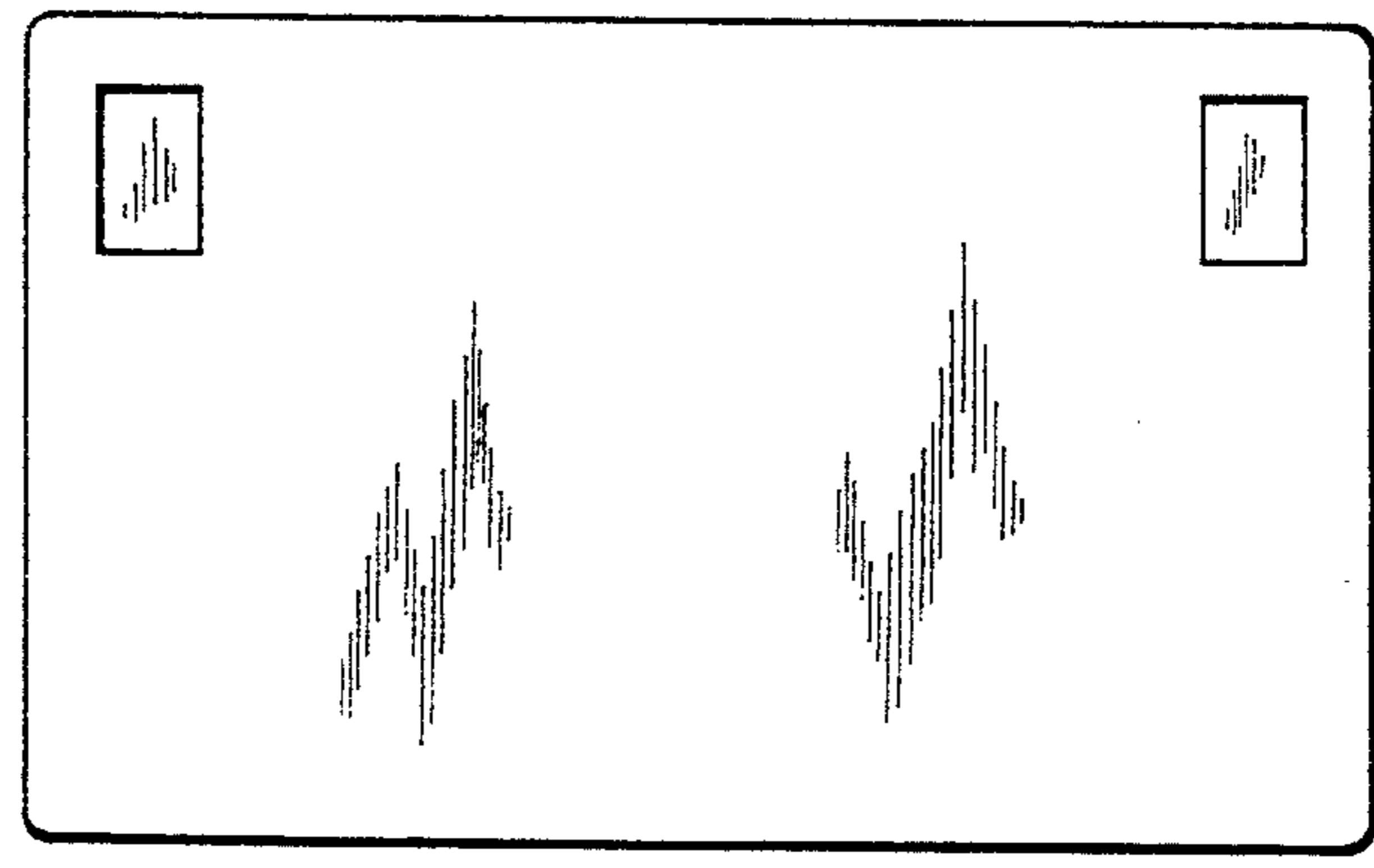


FIG. 4



FIG. 5

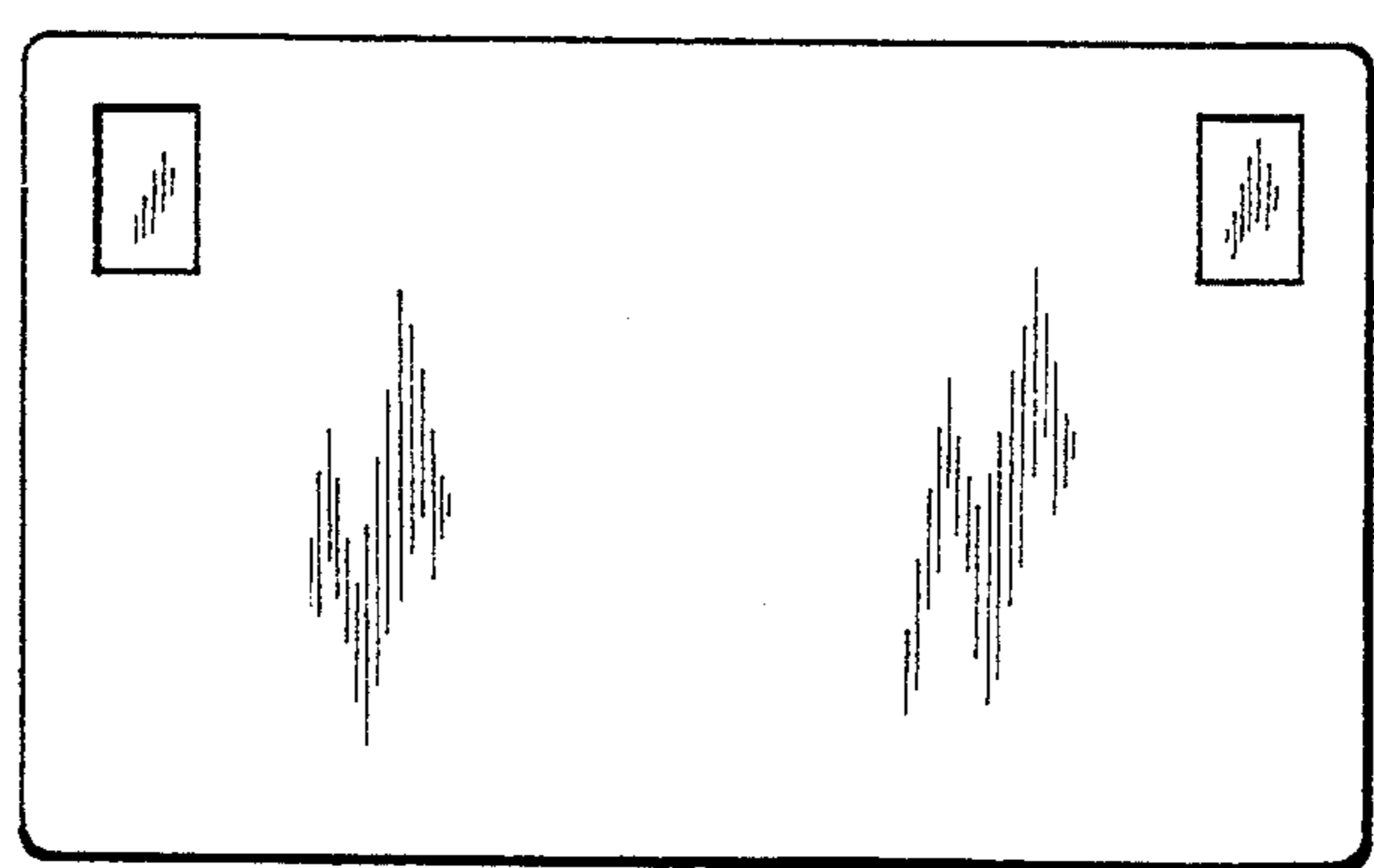


FIG. 6



FIG. 7

