



US00D349825S

# United States Patent [19]

Starck

[11] Patent Number: **Des. 349,825**

[45] Date of Patent: **\*\* Aug. 23, 1994**

- [54] TABLE
- [75] Inventor: **Philippe Starck**, Paris, France
- [73] Assignee: **Fiam Italia S.p.A.**, Tavullia, Italy
- [\*\*] Term: **14 Years**
- [21] Appl. No.: **948,886**
- [22] Filed: **Sep. 21, 1992**
- [52] U.S. Cl. .... **D6/484; D6/451; D6/480**
- [58] Field of Search ..... **D6/480, 482-489, D6/429, 495, 497, 429, 451-453; 108/153, 156, 161**

D. 332,362 1/1993 Lewis ..... D6/480

### OTHER PUBLICATIONS

*Selig Tables*—Table at top left.  
 Supplement to *Abitare*, Jun. 1982, p. 22.

*Primary Examiner*—Janice E. Seeger  
*Attorney, Agent, or Firm*—Shenier & O'Connor

### [57] CLAIM

The ornamental design for a table, as shown and described.

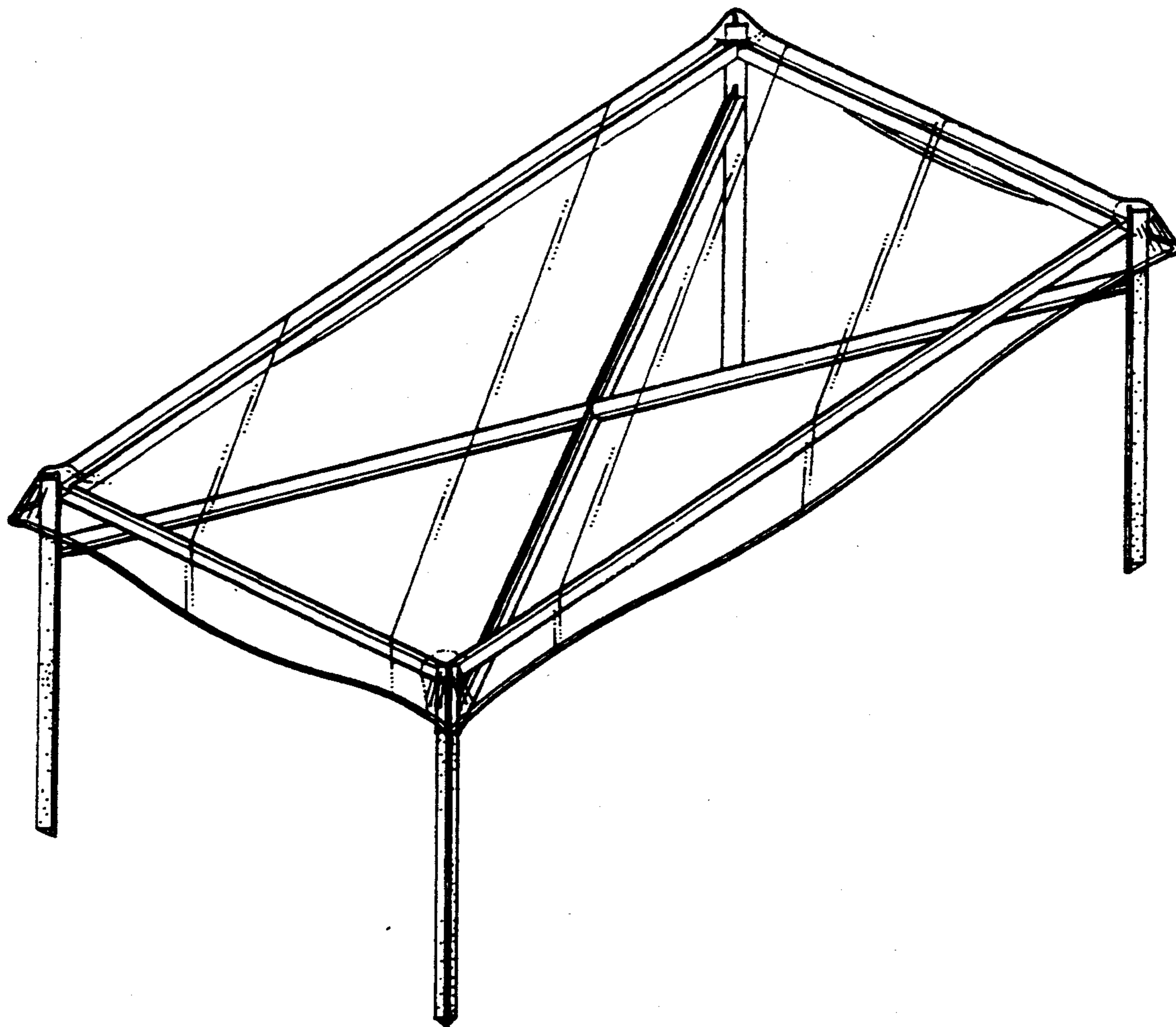
### DESCRIPTION

FIG. 1 is a perspective view of a table showing my new design;  
 FIG. 2 is a front elevational view thereof, the rear elevational view being a mirror image thereof;  
 FIG. 3 is a left side elevational view thereof, the right side elevational view being a mirror image thereof;  
 FIG. 4 is a top plan view thereof; and,  
 FIG. 5 is a bottom plan view thereof.

### [56] References Cited

#### U.S. PATENT DOCUMENTS

- D. 218,903 10/1970 Tebbs ..... D6/484
- D. 247,404 3/1978 Harris ..... D6/483
- D. 316,348 4/1991 Levi ..... D6/484



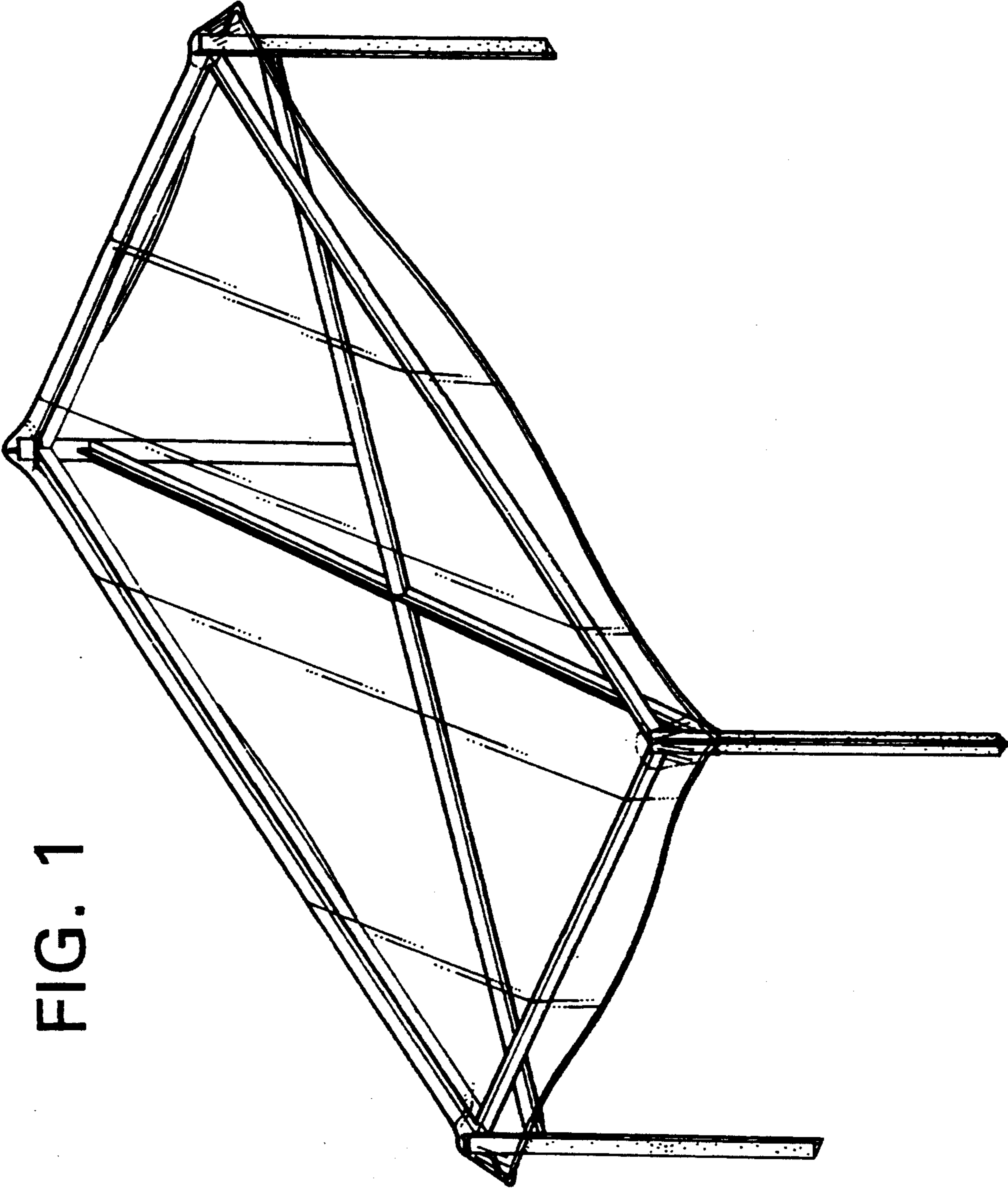


FIG. 1

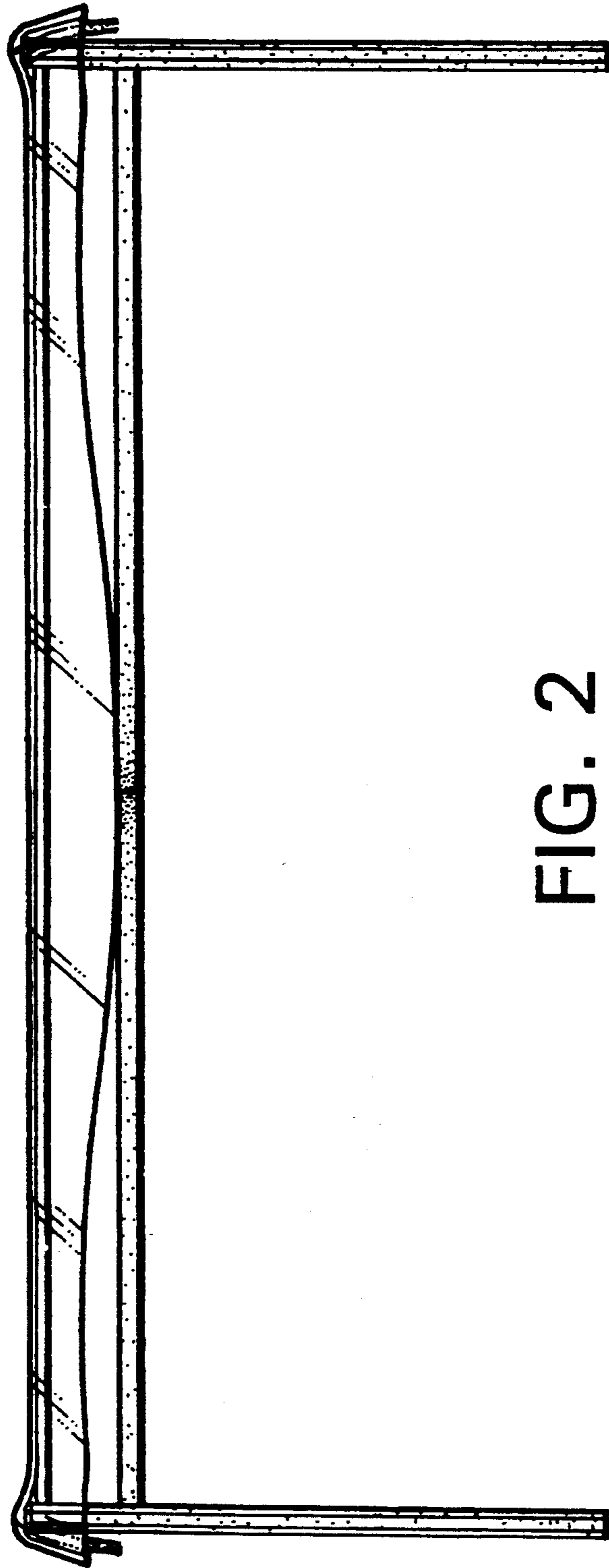


FIG. 2

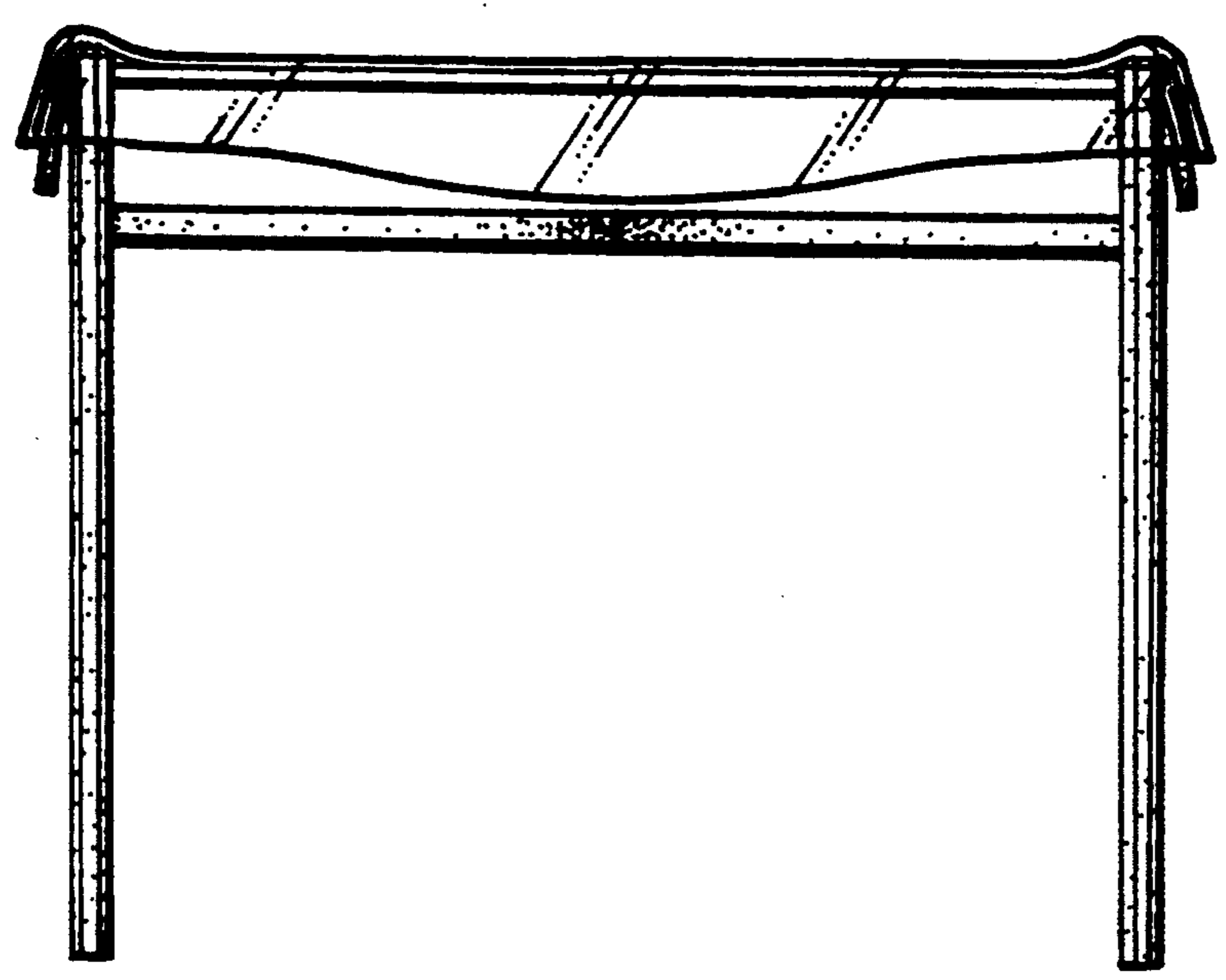


FIG. 3

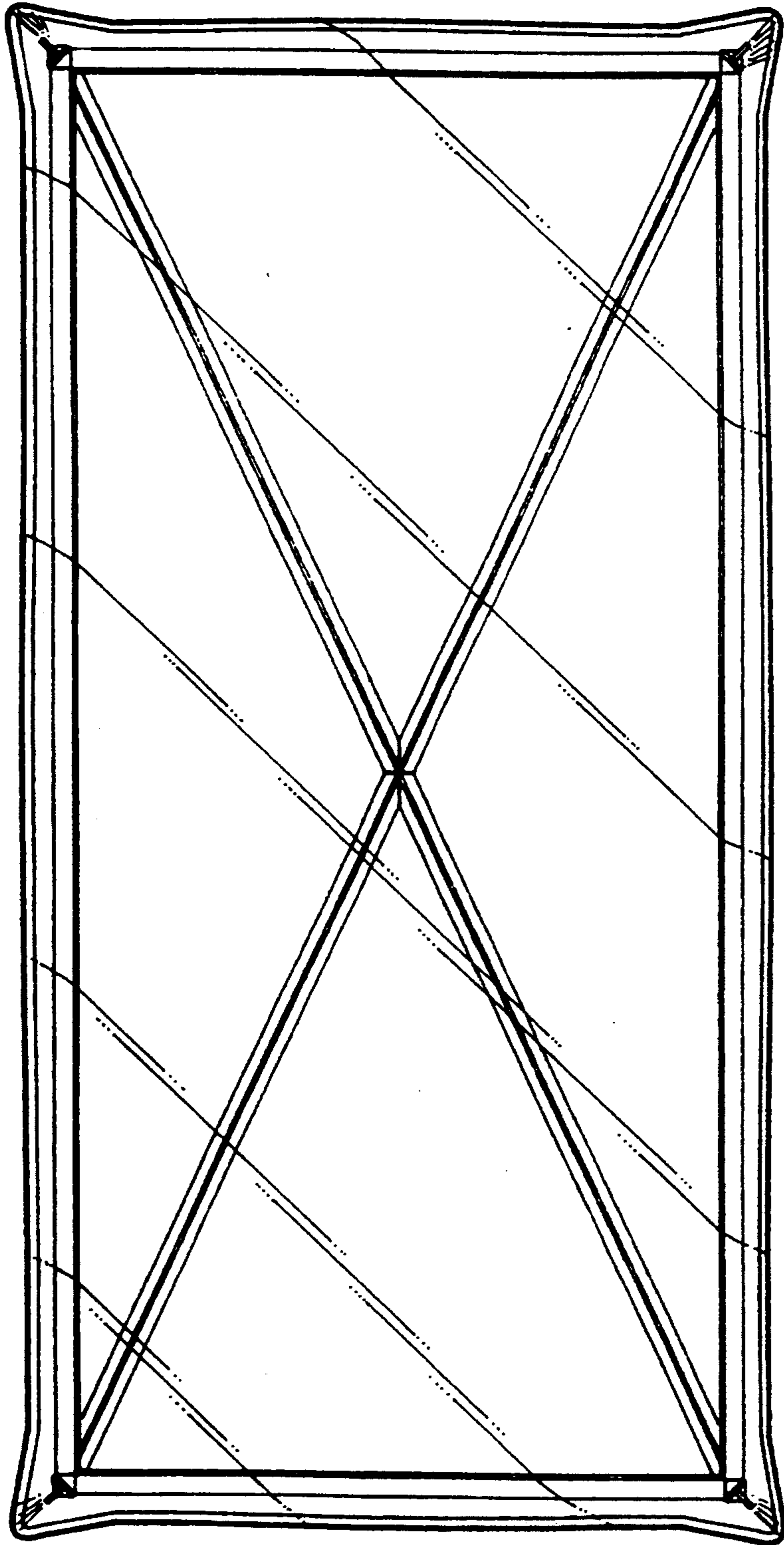


FIG. 4

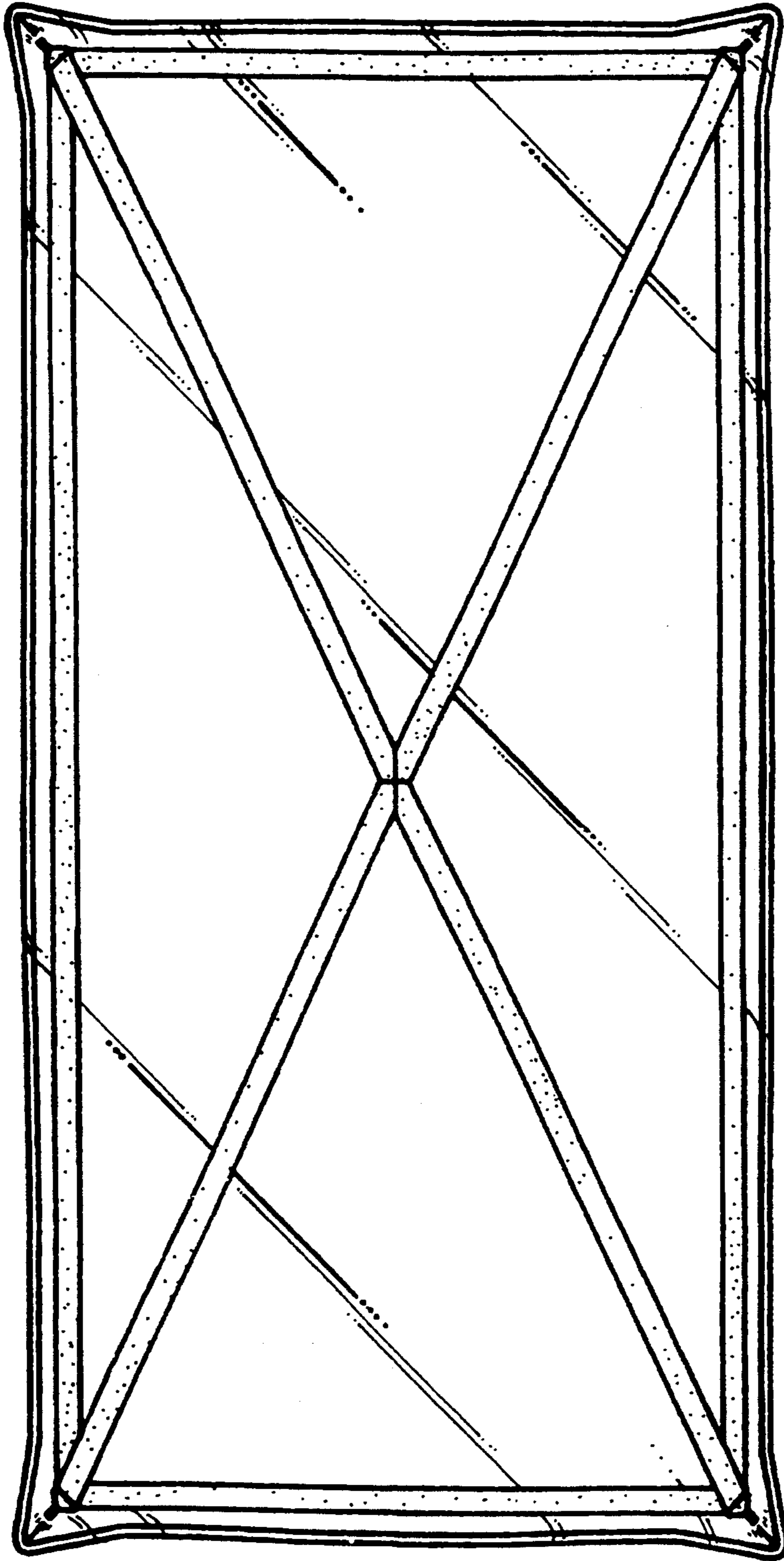


FIG. 5

UNITED STATES PATENT AND TRADEMARK OFFICE  
**CERTIFICATE OF CORRECTION**

PATENT NO. : Des. 349,825  
DATED : August 23, 1994  
INVENTOR(S) : Philippe Starck

It is certified that error appears in the above-identified patent and that said Letters Patent is hereby corrected as shown below:

On the title page, insert the following :

[30] Foreign Application Priority Data -

April 6, 1992 [IT] Italy MI 920000204

Signed and Sealed this  
Eighth Day of November, 1994

Attest:



BRUCE LEHMAN

Attesting Officer

Commissioner of Patents and Trademarks